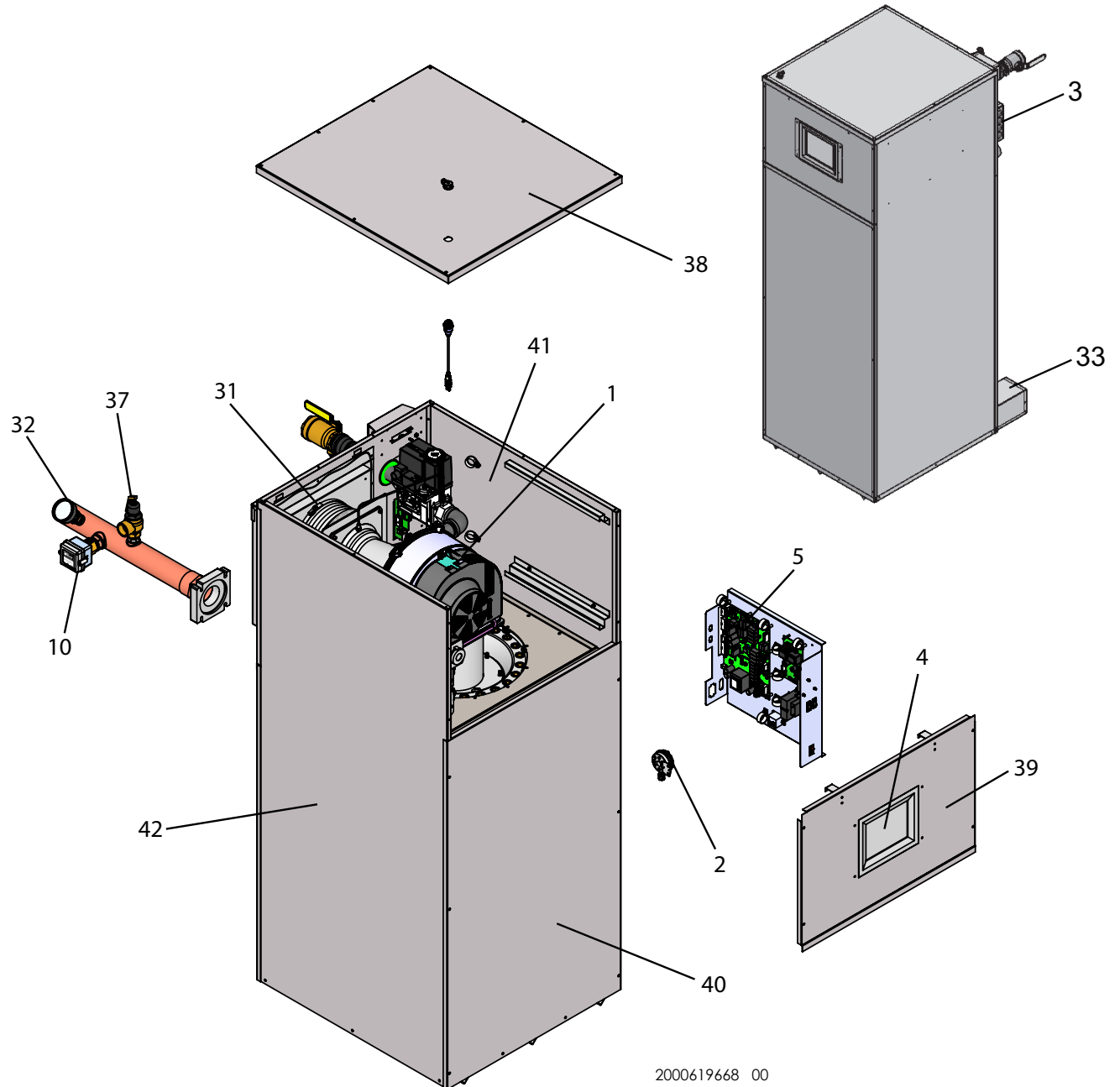




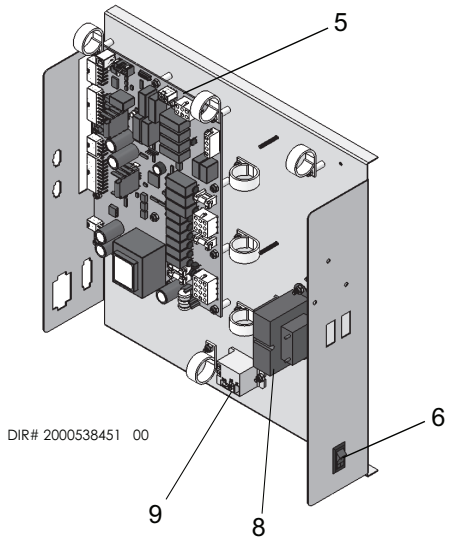
PARTS & SERVICE DEPARTMENT
 Nashville, Tennessee
 877-554-5544 • Fax: 615-882-2918
 parts_team@lochinvar.com
 www.Lochinvar.com

Replacement Parts List

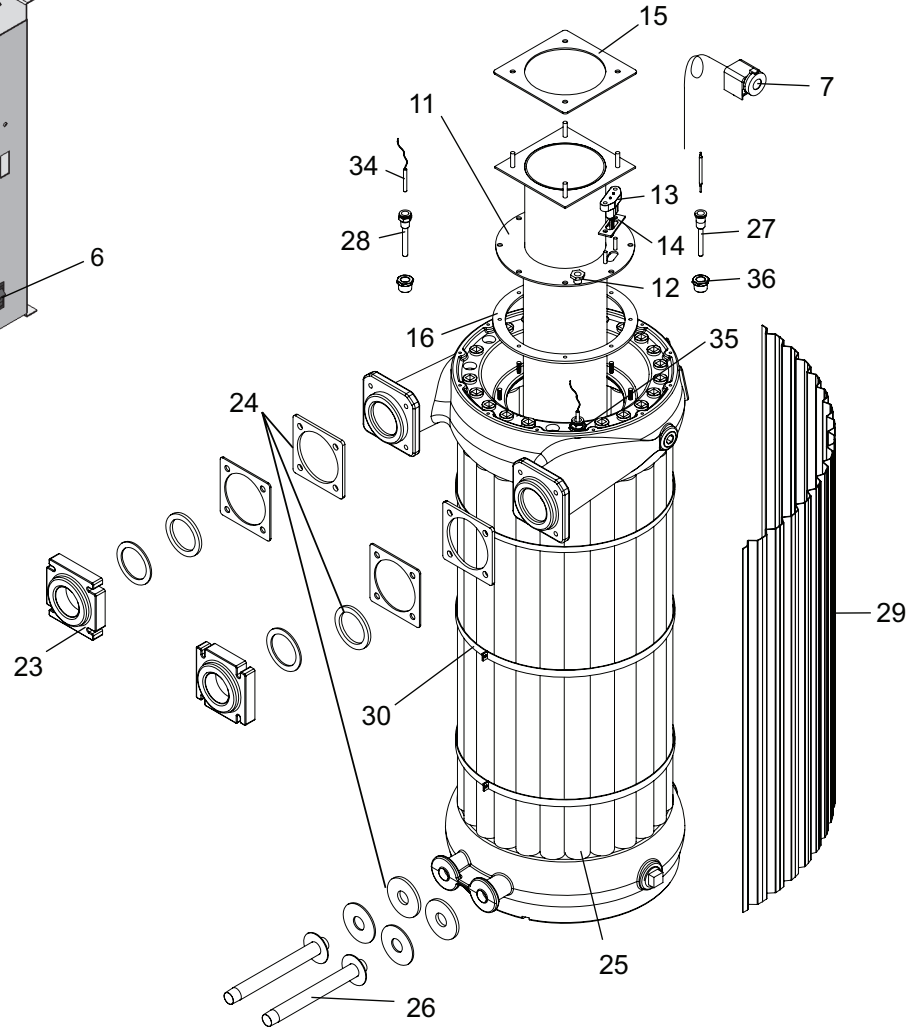
Power-Fin®
 Heating Boilers
PB/PF 1501, 1701, 2001
 Beginning Serial Number: 1707104971206



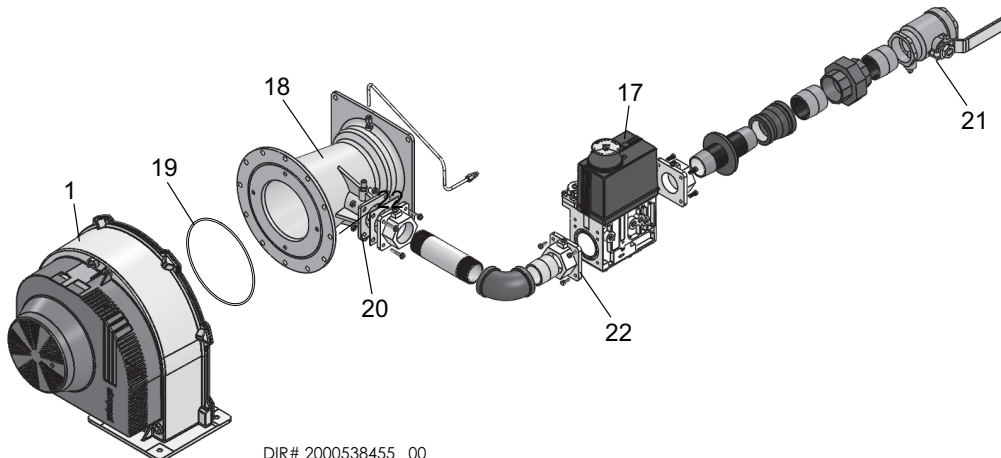
CONTROL PANEL



HEAT EXCHANGER ASSEMBLY



GAS TRAIN ASSEMBLY



ITEM NO.	PART NO.	DESCRIPTION	MODEL NO.
CONTROLS			
1	100145022	FAN ASSEMBLY	PB/PF 1501-2001
2	100208376*	PRESSURE SWITCH, 0.12" WATER COLUMN	PB/PF 1501-2001-M9
2	100208380*	PRESSURE SWITCH, 1.05" WATER COLUMN	PB/PF 1501/2001-B9
2	100288424*	PRESSURE SWITCH, 1.20" WATER COLUMN	PB/PF 1701-B9
3	100274823	LOW VOLTAGE CONNECTION BOARD	ALL
3	100208481	LOW VOLTAGE CONNECTION BOARD	ALL
4	100311038*	DISPLAY INTERFACE ASSEMBLY	ALL
-	100311232	GASKET, USER INTERFACE DISPLAY	ALL
5	100293702*	MAIN CONTROL BOARD	ALL
6	100208242	ON / OFF SWITCH W/ I-O SYMBOL	ALL
7	100208174*	HIGH LIMIT, MANUAL RESET	ALL PB
7	100208179	HIGH LIMIT W/ MANUAL RESET, 110-230 DEG.	ALL PF
8	100208230	TRANSFORMER, 24V, 40VA	ALL
9	100208509*	RELAY, 120VAC, 60HZ, 10.8 AMP	ALL
10	100208653*	FLOW SWITCH W/ PADDLE, INDOOR	ALL
GAS TRAIN ASSEMBLIES			
11	100135330	MAIN BURNER ASSEMBLY	PF/PB 1501
11	100135331	MAIN BURNER ASSEMBLY	PF/PB 1701
11	100135332	MAIN BURNER ASSEMBLY	PF/PB 2001
12	100208332	SIGHT GLASS, BURNER	ALL
13	100165937*	IGNITOR, HOT SURFACE	ALL
14	100208087	GASKET, IGNITOR	ALL
15	100208102*	GASKET, FAN	ALL
16	100208094*	GASKET, BURNER	ALL
17	100172024	GAS VALVE ASSEMBLY, NATURAL	PF/PB 1501
17	100172025	GAS VALVE ASSEMBLY, NATURAL	PF/PB 1701
17	100172026	GAS VALVE ASSEMBLY, NATURAL	PF/PB 2001
17	100171939	GAS VALVE ASSEMBLY, LP	PF/PB 1501
17	100171940	GAS VALVE ASSEMBLY, LP	PF/PB 1701
17	100171941	GAS VALVE ASSEMBLY, LP	PF/PB 2001
18	100294592	VENTURI ASSEMBLY	PF/PB 1501-1701
18	100274223	VENTURI ASSEMBLY	PF/PB 2001
19	100233698*	GASKET, FAN / VENTURI	ALL
20	100208105*	GASKET, FLANGE VENTURI	ALL
21	100288549	1-1/2" GAS SHUT-OFF VALVE W/ TAP	ALL
22	100322624	FLANGE, GAS VALVE, 1-1/4" NPT	ALL
HEAT EXCHANGERS			
23	100288575	FLANGE, PRIMARY, HEAT EXCHANGER	ALL
24	100233672	GASKET, TOP HEADER FLANGE	ALL
25	100147436	HEAT EXCHANGER (HLW)	PF 1501
25	100147437	HEAT EXCHANGER (HLW)	PF 1701
25	100147438	HEAT EXCHANGER (HLW)	PF 2001
25	100147439	HEAT EXCHANGER (HLW), CUPRO	PF 1501
25	100147440	HEAT EXCHANGER (HLW), CUPRO	PF 1701
25	100147441	HEAT EXCHANGER (HLW), CUPRO	PF 2001
25	100147444	HEAT EXCHANGER (H)	PB 1501
25	100147445	HEAT EXCHANGER (H)	PB 1701
25	100147446	HEAT EXCHANGER (H)	PB 2001
25	100147447	HEAT EXCHANGER (H), CUPRO	PB 1501
25	100147448	HEAT EXCHANGER (H), CUPRO	PB 1701
25	100147449	HEAT EXCHANGER (H), CUPRO	PB 2001
26	100141598	DRAIN VALVE KIT	PB
26	100141604	DRAIN VALVE KIT	PF

PLEASE HAVE MODEL NUMBER AND SERIAL NUMBER WHEN ORDERING PARTS.
*ITEMS DENOTE SUGGESTED INVENTORY PARTS

ITEM NO.	PART NO.	DESCRIPTION	MODEL NO.
MISCELLANEOUS			
27	100233613*	HIGH LIMIT THERMOSTAT BULB WELL, 3/8 NPT	ALL
28	100233695*	HIGH LIMIT THERMOSTAT BULB WELL, 3/8 NPT	ALL
29	100290360	V-BAFFLE (24)	PF/PB 1501
29	100290391	V-BAFFLE (24)	PF/PB 1701
29	100290392	V-BAFFLE (24)	PF/PB 2001
30	100154193	RETAINER, V-BAFFLE	ALL
31	100208063*	FILTER - 16" X 16" X 1"	ALL
32	100208152*	GAUGE TRIOMETER, 75 PSI	ALL PB
33	100343868*	CONDENSATE TRAP	ALL
34	100208552*	SENSOR, SYSTEM / INLET	ALL
35	100208557	OUTLET SENSOR	ALL
36	100289373	BRASS BUSHING, 3/4" X 3/8"	ALL
37	100208448	PRESSURE RELIEF VALVE, 1" X 1-1/4", 50 PSI	ALL PB
37	100208453	T&P RELIEF VALVE, 1", 150 PSI	ALL PF
-	100208834	KIT, OUTDOOR AIR RESET	ALL
-	100170647*	SENSOR, FLUE	ALL
-	100208336	ALUMINUM TUBING (ORDER BY THE FOOT)	ALL
-	100274791	TUBING, EPDM 3/8" (ORDER BY THE FOOT)	ALL
PUMPS			
-	100133622	PUMP ASSEMBLY FOR WATER HEATER, STANDARD, 3/4 HP, 2-1/2" FLG, BRZ	ALL PF
-	100287831	PUMP ASSEMBLY FOR WATER HEATER, UPSIZED, 1-1/2 HP, 2" FLG, BRZ	ALL PF
-	100133623	PUMP ASSEMBLY FOR BOILER, 3/4 HP, 2-1/2" FLG, BRZ (OPTIONAL)	PB
JACKET/DOOR ASSEMBLIES			
38	100271847	JACKET TOP	ALL
39	100271809	JACKET, OUTER FRONT UPPER	ALL
40	100273345	JACKET, OUTER FRONT LOWER	PF/PB 1501
40	100273107	JACKET, OUTER FRONT LOWER	PF/PB 1701
40	100271810	JACKET, OUTER FRONT LOWER	PF/PB 2001
41	100273371	JACKET, OUTER RIGHT	PF/PB 1501
41	100273105	JACKET, OUTER RIGHT	PF/PB 1701
41	100271843	JACKET, OUTER RIGHT	PF/PB 2001
42	100273372	JACKET, OUTER LEFT	PF/PB 1501
42	100273109	JACKET, OUTER LEFT	PF/PB 1701
42	100271845	JACKET, OUTER LEFT	PF/PB 2001
INSULATION			
-	100145460	INSULATION, SIDES	PF/PB 1501
-	100145461	INSULATION, SIDES	PF/PB 1701
-	100145462	INSULATION, SIDES	PF/PB 2001
-	100145580	INSULATION, BACK	PF/PB 1501
-	100145581	INSULATION, BACK	PF/PB 1701
-	100145582	INSULATION, BACK	PF/PB 2001
-	100145447	INSULATION, FRONT	PF/PB 1501
-	100145448	INSULATION, FRONT	PF/PB 1701
-	100145449	INSULATION, FRONT	PF/PB 2001
-	100145450	INSULATION, FRONT DOOR	PF/PB 1501
-	100145451	INSULATION, FRONT DOOR	PF/PB 1701
-	100145452	INSULATION, FRONT DOOR	PF/PB 2001
PLEASE HAVE MODEL NUMBER AND SERIAL NUMBER WHEN ORDERING PARTS. *ITEMS DENOTE SUGGESTED INVENTORY PARTS			