

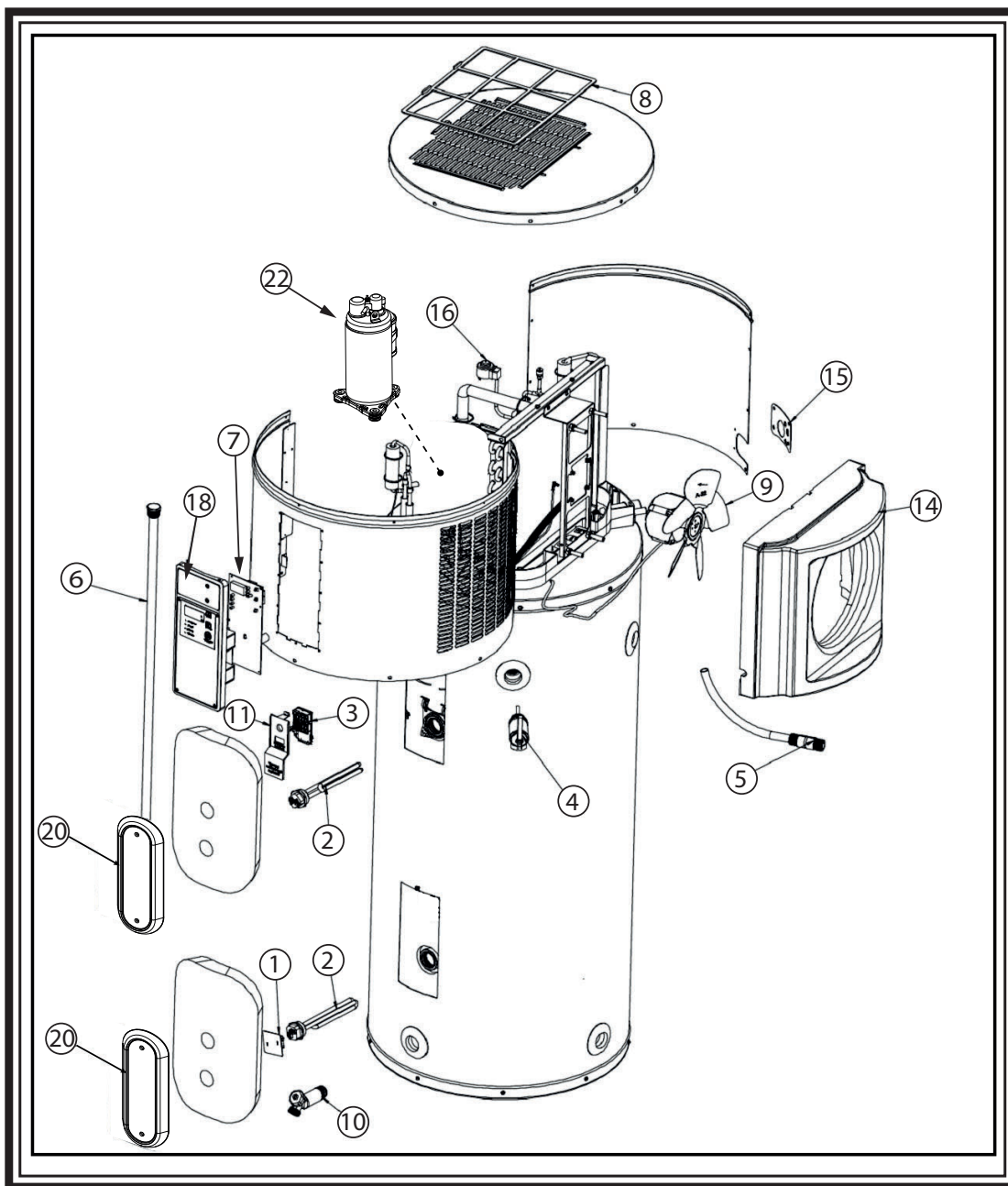
ELECTRIC

RESIDENTIAL WATER HEATER PARTS LIST

MODELS: HPA052KD

HPA068KD

HPA082KD



Lochinvar LLC
 300 Maddox Simpson Pkwy, Lebanon, TN 37090.
 1-615-889-8900
 www.lochinvar.com

Item	Description	
1.....	Element Access Cover	100077300
2.....	Element (4500W)	100108283
3.....	Energy Cut-Off Switch (ECO)	100112570
4.....	T&P Relief Valve	100108455
5.....	Dip Tube (at Hot Water Outlet for 50 gallon).....	100113131
5.....	Dip Tube (at Hot Water Outlet for 66 and 80 gallon).....	100228155
6.....	36" Magnesium Anode (Optional for 50 and 66 gallon models).....	100108660
7.....	Controller.....	100263334
8.....	Air Filter	100113133
9.....	Fan Motor	100113134
10.....	Drain Valve - Brass - 2 inch.....	100263911
11.....	Personnel Protector	100148769
12.....	Ambient / Discharge / Coil Temperature Sensor Assembly*.....	100113135
13.....	Upper / Lower Temperature Sensor Assembly* (50 gallon).....	100113136
13.....	Upper / Lower Temperature Sensor Assembly* (66 and 80 gallon).....	100217536
14.....	Fan Shroud	100084184
15.....	Condensate Drain Connection Cover	100084175
16.....	Electronic Expansion Valve Coil.....	100113137
17.....	Run Capacitor*	100261846
18.....	Smart Grid Cover	100075292
19.....	Element Access Panel	100088407
20.....	14" Magnesium Anode (Optional for 66 and 80 gallon models)*.....	100108677
21.....	42" Magnesium Anode (Optional for 80 gallon model)*.....	100108660
22.....	208V Compressor	100261797

* Item not shown



Lochinvar®

HIGH EFFICIENCY BOILERS & WATER HEATERS

Lochinvar LLC

300 Maddox Simpson Pkwy, Lebanon, TN 37090.

1-615-889-8900

www.lochinvar.com