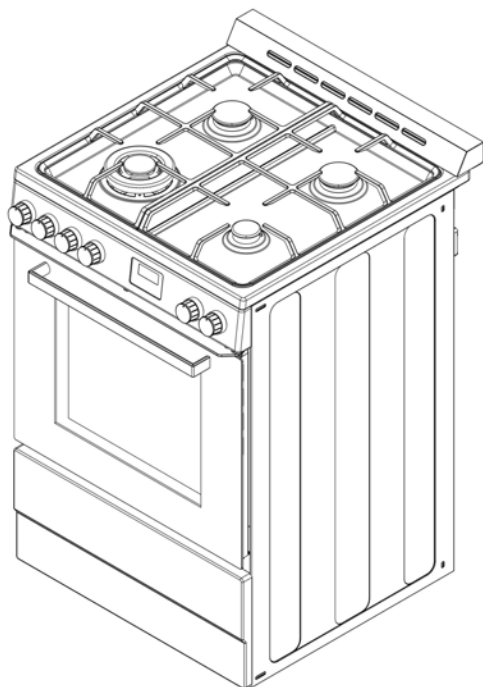




# 24-Inch Freestanding Gas Range

*User's Manual*



Model MCSBRG24W / MCSBRG24B

**PLEASE READ THIS MANUAL CAREFULLY BEFORE USING YOUR  
GAS RANGE AND KEEP IT FOR FUTURE REFERENCE.**



## PRODUCT REGISTRATION

Thank you for purchasing a Magic Chef® product. The first step to protect your new product is to complete the product registration on our website: [www.mcappliance.com/register](http://www.mcappliance.com/register). The benefits of registering your product include the following:

1. Registering your product will allow us to contact you regarding a safety notification or product update.
2. Registering your product will allow for more efficient warranty service processing when warranty service is required.
3. Registering your product could act as your proof of purchase in the event of insurance loss.

Once again, thank you for purchasing a Magic Chef product.

# CONTENTS

PRODUCT REGISTRATION .....	2
PRECAUTIONS .....	4
IMPORTANT SAFETY INSTRUCTIONS .....	6
SPECIFICATIONS.....	8
PARTS AND FEATURES .....	9
BEFORE USE .....	10
OPERATION INSTRUCTIONS - GAS BURNER.....	11
OPERATION INSTRUCTIONS - OVEN.....	13
CARE AND MAINTENANCE.....	16
TROUBLESHOOTING.....	18
LIMITED WARRANTY .....	20

# PRECAUTIONS

## EXPLANATION OF SYMBOLS

### **▲ WARNING**

Hazards or unsafe practices which COULD result in severe personal injury or death.

### **▲ CAUTION**

Hazards or unsafe practices which COULD result in minor personal injury.

# THIS PRODUCT IS INTENDED FOR HOUSEHOLD USE ONLY

**▲ WARNING:** Read and understand all safety precautions. Failure to follow all instructions described in this user manual may result in electric shock, fire, serious personal injury, and/or loss of life. The warnings, cautions and instructions discussed in this user manual cannot cover all possible conditions and situations that may occur.

**▲ WARNING:** Risk of child entrapment. Child supervision is necessary. This appliance is to be used only for its intended purpose as described in this manual. Read all recommended safeguards thoroughly.

**▲ WARNING:** If information in this manual is not followed exactly, a fire or explosion may result causing property damage, personal injury or death.

- DO NOT store or use gasoline or other flammable vapors and liquids in the vicinity of this or any other appliance.

### **▲ WARNING:** Tip Over Hazard

- A child or adult can tip the range and be killed.
- The range can tip if you apply too much force or weight on the oven door without the anti-tip bracket being installed properly. DO NOT step, lean, or sit on the door or drawer; doing this may result to serious injury.
- To avoid the risk of tipping the range, the range must be secured by a properly installed anti-tip bracket. Refer to Installation Manual for the anti-tip bracket.
- To check if the bracket is installed and secure, look underneath the range to see that the rear leveling legs are engaged to the bracket. If visual inspection is not possible, slide the range forward, confirm the anti-tip bracket is securely attached to the floor or wall, slide the range back so the rear leveling leg is under the anti-tip bracket.
- Verify the anti-tip bracket is re-engaged when the range is moved. DO NOT operate the range without the anti-tip bracket in place and engaged.
- Failure to follow these instructions can result in death or serious burns to children or adults.

### **▲ WARNING:** Gas Leak

- Gas leaks cannot always be detected by smell.
- Gas supplier recommend that you use a gas detector approved by UL or CSA.
- For more information, contact your gas supplier.
- If a gas leak is detected, follow the “What to Do If You Smell Gas” section below.

### **▲ WARNING:** What to Do If You Smell Gas

- DO NOT try to turn on any appliance.

- DO NOT touch any electrical switch.
- DO NOT use any phones in home.
- Immediately call your gas supplier from a phone outside of the home. (Ex: Go to a neighbor's home to call your gas supplier or fire department.)
- If the gas supplier cannot be reached, call the fire department.
- Installation and service must be performed by a qualified installer or service agency.

# IMPORTANT SAFETY INSTRUCTIONS

**▲ WARNING:** To reduce the risk of fire, electrical shock, injury to persons, or damage when using the oven, follow basic precautions.

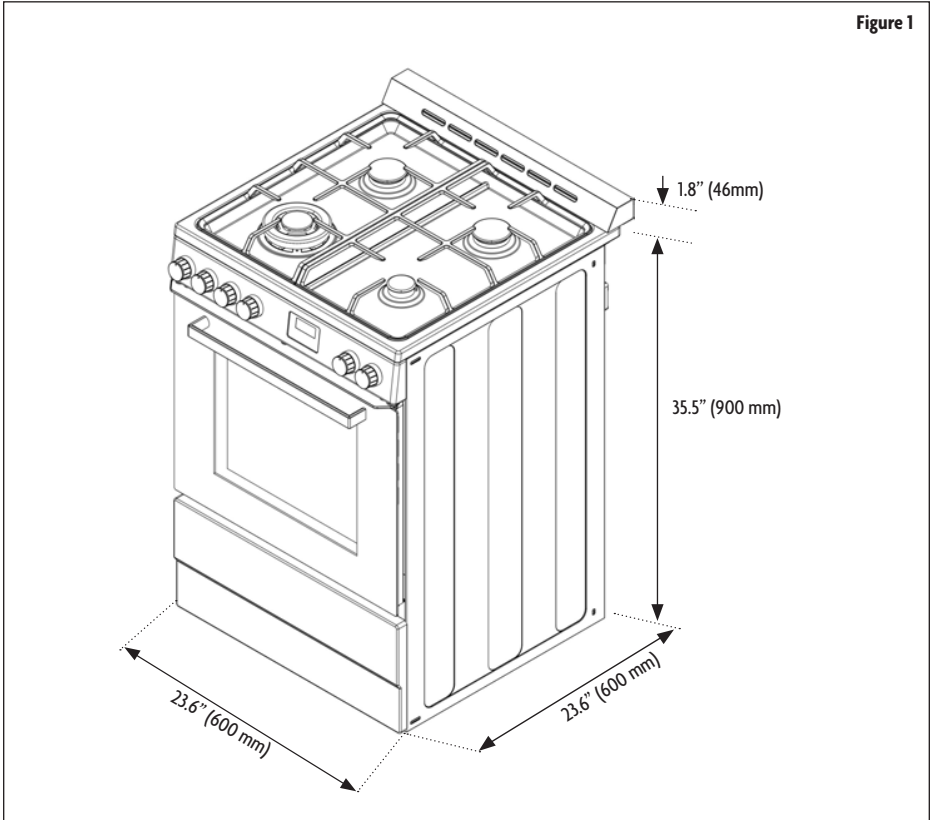
1. The anti-tipping bracket must be installed and securely attached to the range. Check to ensure the anti-tipping bracket is securely attached to the range prior to use.
2. Be sure the range is properly installed and grounded by a qualified technician.
3. DO NOT allow anyone to climb, stand or hang on the oven door, broiler door or cooktop. They could damage the range or tip over the range causing serious injury.
4. NEVER use this appliance to warm or heat a room. Doing so may result in carbon monoxide poisoning and overheating of the oven.
5. DO NOT LEAVE CHILDREN ALONE OR UNATTENDED – Children should not be left alone or unattended in the area where the oven is in use; they could be seriously burned or injured. Children should NEVER be allowed to sit or stand on any part of the oven; they could be seriously burned or injured.
6. WEAR PROPER APPAREL – Loose fitting or hanging garments should NOT be worn while utilizing the oven.
7. DO NOT repair or replace any part of the oven unless specifically recommended in the manual. All other servicing should be referred to a qualified technician.
8. To avoid the possibility of electrical shock, disconnect the power supply before servicing the unit.
9. DO NOT store flammable materials in the oven, or near the cooktop.
10. DO NOT store or use combustible materials, gasoline or other flammable vapors and liquids near the vicinity of the range or any other appliance.
11. DO NOT use water on grease fires. NEVER pick up a flaming pan or pot. Turn the controls off. Smother the flaming pan or pot by covering it completely with a fitting lid, cookie sheet or flat tray. Use multi-purpose dry chemicals or foam-type fire extinguisher.
12. Flaming grease outside of the pan or pot can be put out by covering it with baking soda, multi-purpose dry chemicals or foam-type fire extinguisher.
13. Flames in the oven can be put out by completely closing the oven door and turning off all controls. A multi-purpose dry chemical or foam-type fire extinguisher can also be used to put out the flames.
14. Use only dry pot holders- Moist or damp potholders on hot surfaces may result in steamed burns.
15. NEVER cover or block the vent openings of the range. The vent openings provide the air inlets and outlets that are necessary for the range to operate properly with the correct combustion.
16. USE CARE WHEN OPENING OVEN DOOR – Use extreme caution when opening the door of the hot oven. The hot air and steam escaping from the oven can cause burns to hand, face an eyes. Let hot air/steam escape before removing or replacing food.
17. PLACEMENT OF OVEN RACKS – It is strongly recommended to place oven racks in desired location while oven is cool. If the rack must be moved while the oven is hot, DO NOT let the potholder contact the hot burner in the oven.
18. DO NOT TOUCH BURNER OR INTERIOR SURFACES OF OVEN. Burners may be hot even though they are dark in color. During and after use, DO NOT touch, or let clothing or other flammable materials contact burners or the interior surfaces of the unit.
19. DO NOT HEAT UN-OPENED FOOD CONTAINERS ON THE SURFACE BURNERS OR IN THE OVEN. Pressure

could build up and the container can burst, causing injury.

20. Make sure the broiler pan is in place correctly to reduce the possibility of grease fires.
21. NEVER leave jars of fat drippings on or near your range.
22. DO NOT let cooking grease deposits accumulate in or near the range, as this may cause a grease fire.

# SPECIFICATIONS

Figure 1



Height	35.5" (900 mm)
Width	23.6" (600 mm)
Depth	23.6" (600 mm)
Product Weight	125 lbs (56.5 kg)
Gross / Usable Capacity	2.9 Cu. Ft.

# PARTS AND FEATURES

## PRODUCT PARTS & ACCESSORIES

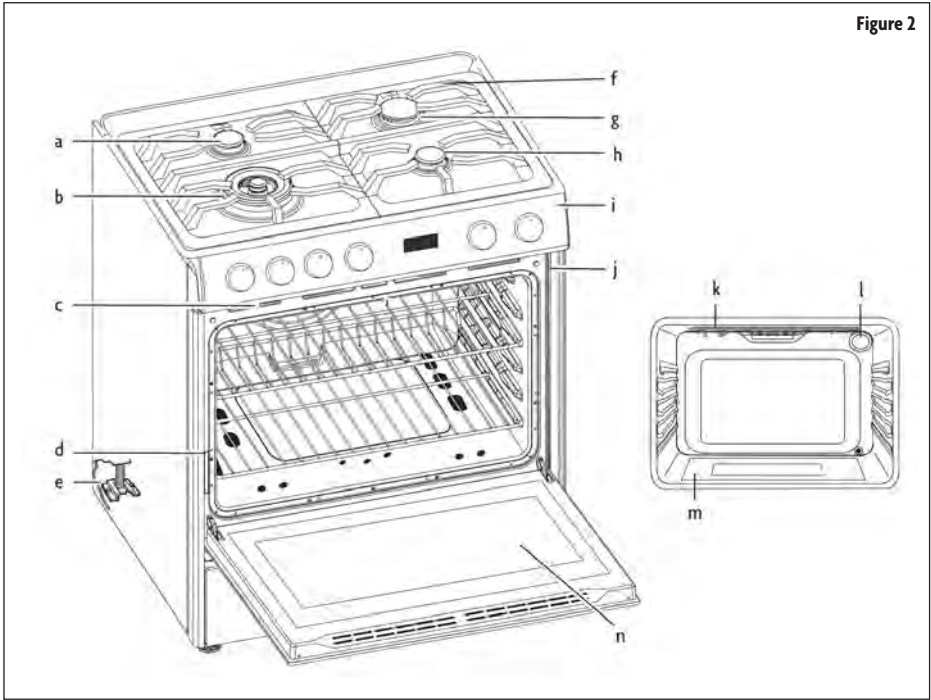


Figure 2

- |                                  |                               |                                |
|----------------------------------|-------------------------------|--------------------------------|
| a. Left Rear Surface Burner      | e. Anti-tip Bracket           | j. Door Gasket                 |
| b. Left Front Surface Burner     | f. Grate                      | k. Broil Burner                |
| c. Oven Vent                     | g. Right Rear Surface Burner  | l. Oven Light                  |
| d. Model and Serial Number Plate | h. Right Front Surface Burner | m. Bottom Burner (not visible) |
|                                  | i. Control Panel              | n. Oven Door Window            |

## CONTROL PANEL

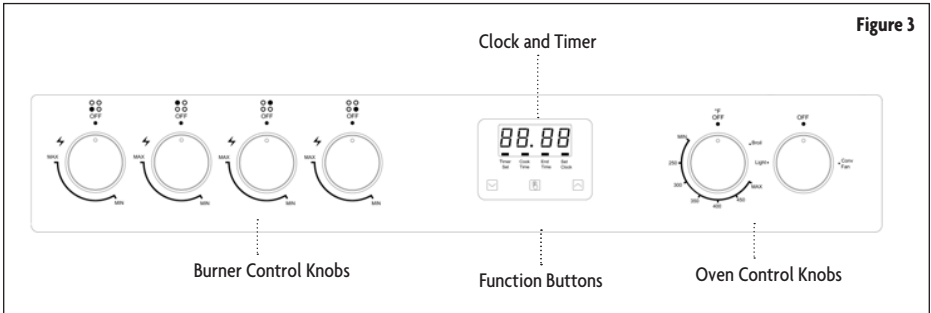


Figure 3

# BEFORE USE

**▲ WARNING:** Failure to follow these instructions can result to serious injury or death.

- DO NOT let the burner flames extend beyond the edge of the pan.
- Turn off all controls when burners are not in use.
- ALWAYS use the LITE position when igniting the top burners and make sure the burners have ignited.
- NEVER leave the surface burners unattended at high flame settings. Boil overs can cause smoke and greasy spillovers that may catch on fire.
- Excessive flames are hazardous. Adjust the burner flame size so it does not extend beyond the edge of the cookware.
- When removing the cooking grates, ALWAYS be certain that the controls for all burners are set to off. Make sure all cooking grates are cool before attempting to remove them.

**▲ CAUTION:** Utilizing Cookware Properly

- Select cookware that is the appropriate size to cover the burner grates.
- DO NOT use cookware that is unstable or easily tippable as this can increase the chances of spillover and serious injury. To avoid spillover make sure cookware is large enough to contain the food properly.
- When utilizing glass cookware. Make sure the glass cookware is suitable for top range cooking.
- Keep all plastic items away from the cooktop as they may melt if left too close to the heat.
- ALWAYS turn cookware handles toward the side or back of the range without extending over adjacent burners.
- ALWAYS turn the burner controls off before removing the cookware.
- When utilizing pot holders. Only use dry pot/pan holders as moist or damp pot holders to hot surfaces may result in burns from steam. DO NOT let pot holders come near open flames when lifting cookware.

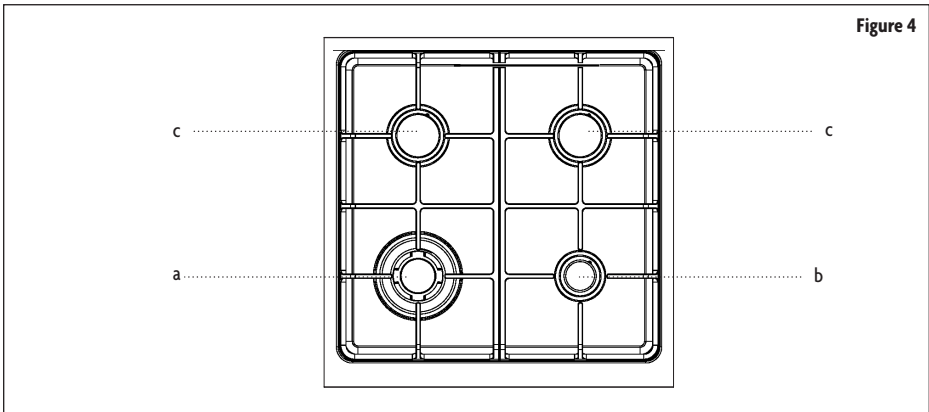
## CHARACTERISTICS OF COOKWARE

Use the following chart as a guide for cookware material characteristics.

Cookware	Characteristics
Aluminum	<ul style="list-style-type: none"><li>• Heats quickly and evenly.</li><li>• Suitable for all types of cooking.</li><li>• Medium or heavy thickness is best for most cooking tasks.</li></ul>
Cast Iron	<ul style="list-style-type: none"><li>• Heats slowly and evenly.</li><li>• Good for browning and frying.</li><li>• Maintains heat for slow cooking.</li></ul>
Stainless Steel	<ul style="list-style-type: none"><li>• Heats quickly, but unevenly.</li><li>• A core or base of aluminum or copper on stainless steel provides even heating.</li></ul>

# OPERATION INSTRUCTIONS - GAS BURNER

## BURNER GRATES



- Triplering Burner:** The front left burner is designed to give maximum power when fully on. This burner is used to rapidly bring liquids to a boil and cook large quantities of food.
- Auxiliary Burner:** The front right burner allows for more precise simmering and low temperature cooking.
- Semi-Rapid Burner:** The left rear and right rear burners provide a burner power level between the Rapid burner and the Auxiliary burner. These two burners are considered to be multipurpose burners. The two grates are identical and can be used on either the left or right of the cooktop.

**▲ NOTE:** Burner grates should be washed regularly and after spillovers. Wash them in hot, soapy water and rinse with clean water. Make sure the grates are fully dry before putting back into place.

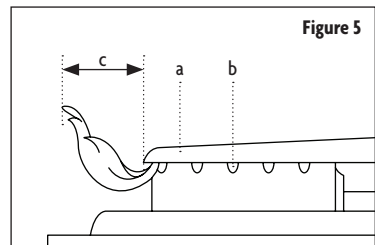
## SEALED SURFACE BURNERS

**▲ WARNING:** DO NOT obstruct the flow of combustion and ventilation air around the burner grate edges.

Gas must flow freely throughout the gas tube opening for the burner to light properly. Keep this area free of soil and DO NOT allow spills, food, cleaning agents or any other material to enter the gas tube opening. To avoid spills, food, cleaning agents or other materials entering the gas tube, ALWAYS keeps the Burner Cap on.

- Burner Cap:** ALWAYS keep the burner cap in place when utilizing a surface burner. To avoid poor ignition and uneven flames, maintain clean burner caps. (Refer to “Cleaning Cooktop” on page 16.)
- Burner Ports**
- Flame:** Occasionally check burner flames for proper size and shape (Refer to Figure 5.)

**▲ NOTE:** A good flame is blue in color and not yellow.

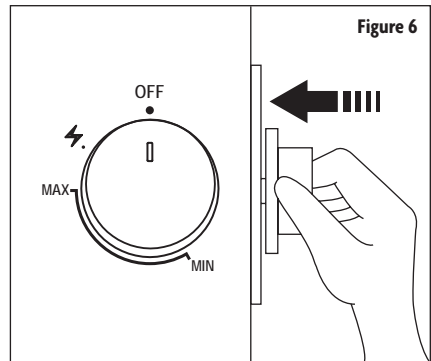


## HOW TO LIGHT THE SURFACE BURNERS

1. Push in and turn the control knob counterclockwise to the light position (⚡). All surface burners will click but only the burner with control knob turned to LITE will produce a flame.
2. After the burner ignites, turn the control knob to the desired flame size.

**▲ NOTE:** ALWAYS position cooking cookware on the burner grate before lighting the burner.

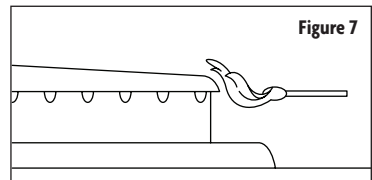
**▲ CAUTION:** The flame SHOULD NOT extend beyond the sides or the pot or pan.



## IN CASE OF POWER FAILURE

**▲ WARNING:** Use extreme caution when lighting burners this way.

1. Hold a lit match to the desired burner head.
2. Push and turn the control knob to the “⚡” position.
3. Once burner ignites, adjust flame to the desired size.



# OPERATION INSTRUCTIONS - OVEN

## OVEN

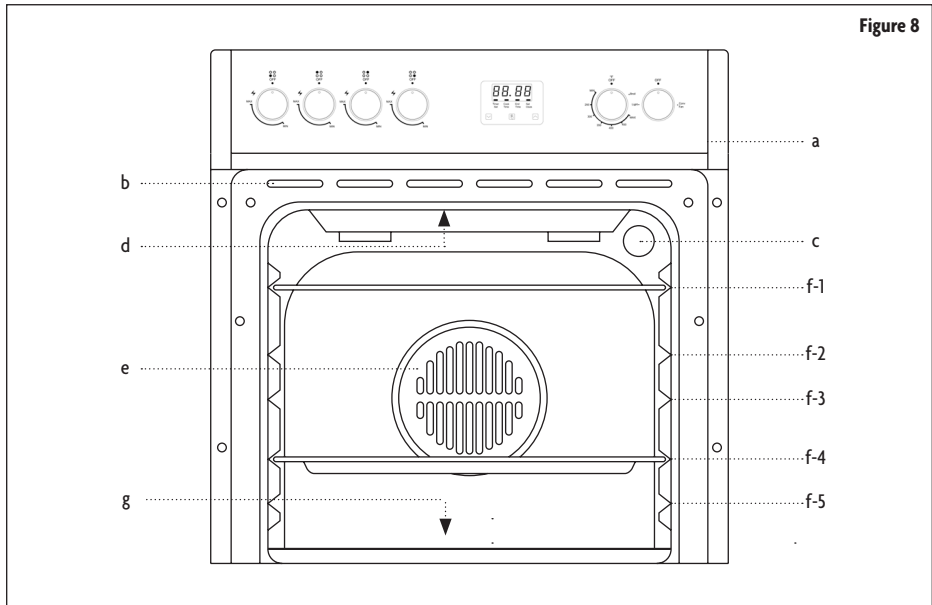


Figure 8

- |                  |                        |                        |                  |
|------------------|------------------------|------------------------|------------------|
| a. Control Panel | c. Oven Interior Light | e. Convection Fan      | g. Bottom Burner |
| b. Cooling Vents | d. Top Central Burner  | f. Rack Position Guide | (not visible)    |

## POSITIONING RACKS AND BAKEWARE

**▲ NOTE:** To avoid damage to the porcelain finish, DO NOT place food or bakeware directly on the oven door or bottom.

### Positioning Oven Rack

1. Slightly tilt up the front edge of the rack and slide rack back until it clears the stop position.
2. Make sure the rack is level.

**▲ NOTE:** Position racks to the desired rack position before turning on the oven.

**▲ NOTE:** DO NOT position racks with bakeware on them.

### Removing Oven Rack

Pull the rack out to the stop position, then raise the front edge and continue to pull towards you.

**▲ NOTE:** DO NOT remove racks with bakeware on them.

## COOKING MODES

### Preheating

- Preheat means to bring the oven up to a specified temperature before putting food into the oven.

- Preheat the oven based on your recipe.
- Preheating is great for baking cakes, cookies, pastries and breads.

### Baking (Refer to Figure 9.)

**▲ NOTE:** This oven utilizes a gas burner located under the oven cavity. This allows the heat to rise naturally to bake foods evenly.

- Push in the temperature control knob for 3 seconds and then release.
- The igniter will continue to spark.
- Then push and turn temperature control knob counter-clockwise to the desired temperature between MIN (150°F) to MAX.

### Broiling (Refer to Figure 10.)

**▲ NOTE:** This oven utilizes a gas burner located at the top of the oven cavity for broiling and browning.

- Push in the temperature control knob, and turn clockwise to automatically ignite the broil burner.
- ▲ CAUTION:** The broil burner will remain on until the temperature control is returned to the off position.
- ALWAYS utilize the broiler grid & pan when broiling.
- NEVER cover the broiler grid openings with aluminum foil. If the rack is covered by aluminum foil, the fat cannot drip away from the meat and may easily ignite.
- DO NOT allow fatty edges hang over the sides of the broiler pan.

### Convection Cooking (Refer to Figure 11.)

- During Convection cooking the fan will circulate hot air throughout the oven. The movement of heated air around the food will help to speed up cooking by penetrating the cooler outer surfaces. Foods cook more evenly. Browning and crisping outer surfaces while sealing the moisture in.
- During convection cooking, the bake and broil burners, and the fan operate to heat the oven cavity. If the oven door is opened during convection cooking or preheating, the fan turns off immediately and the burner(s) will turn off after 30 seconds. Once the door closed, the burner(s) will turn back on.

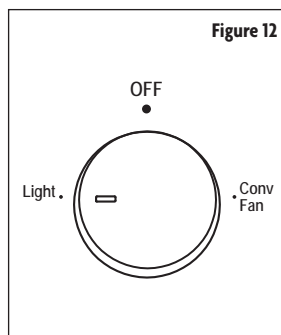
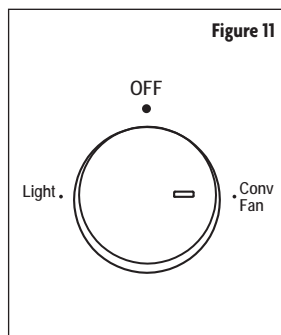
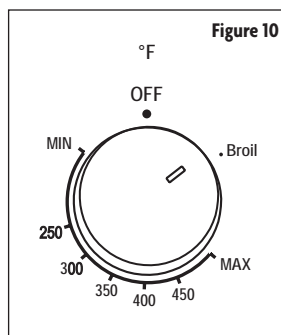
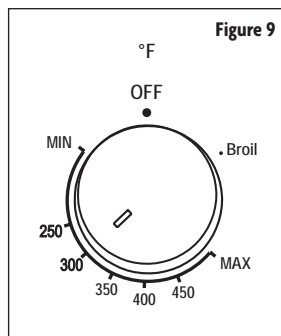
**▲ NOTE:** The convection fan can be turned on and off at any time.

### Oven Light (Refer to Figure 12.)

- Turn the knob to "Light" to turn lights on.
- When using "Bake" or "Broil", the oven light will remain on.

### Oven Display

- The display will be illuminated when the range is connected to the power.



## CLOCK & TIMER

### Set Time of Day

1. When the range is first connected with power, the display will blink "12:00".
2. To set the correct time, press the "⌚" Function button until the indicator for the Clock blinks, and use the "⏪" or "⏩" button until the correct time is displayed. After 5 seconds, the displayed time will be set, or you can press the "⌚" button to set.

### Setting the Timer

**▲ NOTE:** The digital countdown timer can be set up to the maximum of 23 hours and 59 mins.

1. Press the "⌚" button until the "■" symbol above "Timer Set" is displayed.
2. Use the "⏪" or "⏩" button to set the timer.
3. The time will automatically be set if no button is pressed for 5 seconds.
4. When the set time is reached, the indicator disappears and the unit will beep.

**▲ NOTE:** The timer cannot control the oven's temperature and operation so the Cook Time and End time functions cannot be used with the timer.

### Delayed Cooking Start

1. Press the "⌚" button until the "■" symbol above "Cook Time" is blinking.
2. Use the "⏪" or "⏩" button to set the amount of time to delay the start of the cooking, up to 10 hours.
3. Set the oven Temperature and Cooking Program using the knobs.

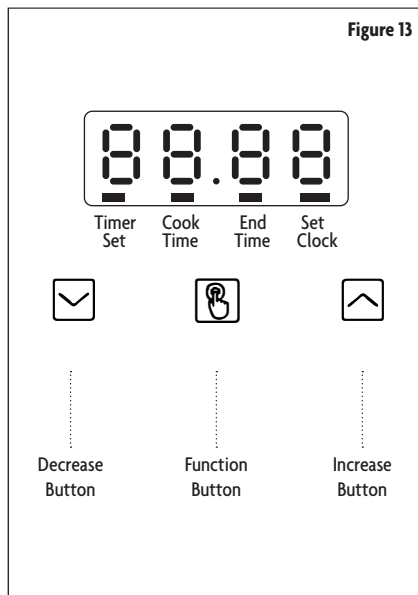
**▲ NOTE:** The oven will not operate when a delayed cook time is set until the delay time is over. To use the oven before the delayed time is reached, the Delay function must be canceled by setting cook time to '0'.

**▲ CAUTION:** The Delayed cooking should be used with caution when used with foods that easily spoil, and should only be used for frozen or cured meats or fruits and vegetables that do not quickly spoil.

**▲ NOTE:** Be sure to set the delayed start time **BEFORE** setting oven temperature and function.

### Delayed Cooking End

1. Press the "⌚" button until the "■" symbol above "End Time" is blinking.
2. Use the "⏪" and "⏩" buttons to set the desired amount of time to delay the end of the cooking.
3. When the end of the timed program is reached, the range will beep. At this time turn the knobs to the Off positions, then press the "⌚" button to turn off the beeping.



# CARE AND MAINTENANCE

## CLEANING COOKTOP

### Removing Trivets

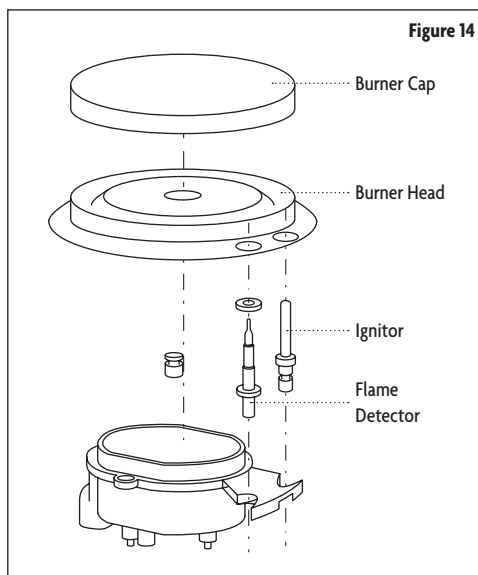
1. The trivets located in the recessed area of the hob.
2. They can be removed for cleaning by carefully lifting them from the hob.
3. Clean by washing in warm soapy water. Make sure to dry thoroughly.
4. DO NOT drop the trivet into place. To avoid scratches and damages carefully place the trivets back to its place.

### Removing the Burner

1. The burner caps and heads are removable for cleaning.
2. Blockage of the flame port should be cleaned using a match stick or brush.
3. If the caps, heads and cups are heavily soiled, use a non-abrasive cleaning compound to help remove build-up.

### Refitting the Burner Heads and Caps

1. The burner cap must be placed correctly into the burner head or damage may occur during operation.
2. To ensure correct placement, make sure the Ignitor and Flame detector are positioned into the 2 slots of the burner head. (Refer to Figure 14.)
3. The burner cap is simply positioned over the top of the burner head. (Refer to Figure 14.)



## CLEANING OVEN

**▲ IMPORTANT:** Before cleaning, make sure all controls are off and the oven is cool. ALWAYS follow the label instructions on all cleaning products used on this oven. Soap, water and a soft cloth or sponge are suggested first unless otherwise noted. DO NOT use abrasive cleaning products as it may damage the unit.

### Stainless Steel

- DO NOT use soap-filled scouring pads, abrasive cleaners, cooktop cleaner, steel-wool pads, gritty wash cloths or abrasive paper towels.
- It is recommended to use stainless steel cleaner or polish.
- It is recommended to use vinegar for hard water spots.
- It is recommended to use liquid detergent or all-purpose cleaner. Rinse well with clean water and dry with soft, lint-free cloth.
- It is recommended to rub in the direction of grain to avoid damage.

### Oven Door Exterior

- It is recommended to use glass cleaner and paper towel or non-abrasive plastic scrubbing pad.
- It is recommended to apply glass cleaner to soft cloth or sponge.
- DO NOT apply directly to panel.

### Grates and End Caps

- DO NOT clean until the grates and caps have cooled.
- DO NOT reassemble grates and caps if they are still wet.
- To avoid chipping, DO NOT bang grates and caps against each other or hard surfaces.
- It is recommended to utilize mildly abrasive cleaner.
- It is recommended to utilize a non-abrasive cloth or plastic scrubbing pad.

### Burner Spreader

- It is recommended to frequently wash the burner spreader with boiling water and detergent to remove any deposit build up. This will maintain steady flame output.
- ALWAYS dry the burner spreader thoroughly before re-installing.

### Control Panel

- DO NOT spray glass cleaner on glass control panel.
- DO NOT use abrasive cleaners, steel wool pads, and gritty wash cloths. Damage may occur.
- Apply glass cleaner to soft cloth or sponge then begin cleaning glass panel.

### Oven Cavity

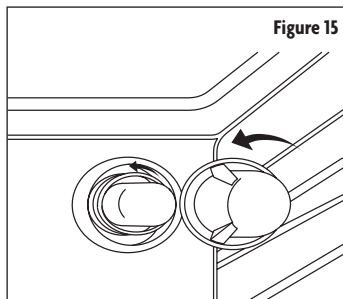
**▲ NOTE:** At high temperatures, foods react with porcelain, so staining, etching, pitting or faint white spots can result.

- DO NOT begin cleaning the oven cavity until it has fully cooled.
- DO NOT use oven cleaners.
- It is recommended to use mild detergent and warm water.
- It is recommended to use soft cloth or non-abrasive plastic scrubbing pad.

## OVEN LIGHT REPLACEMENT

**▲ CAUTION:** Before replacing, make sure the oven and cooktop are cool and all control knobs are to the OFF position.

1. Remove the light cover by rotating it counter-clockwise. (Refer to Figure 15.)
2. Then remove the light bulb by rotating it counter-clockwise.
3. Replace the old light bulb with a new oven-safe light bulb with the following characteristics.
  - Light bulb is a standard 25 – Watt (G9) appliance bulb
  - Voltage: 120V
  - Wattage: 25W
4. Re-install light cover by rotating it clockwise.



# TROUBLESHOOTING

Cooktop		
Problem	Possible Causes	Solutions
Burner does not ignite.	There is no power to the cooker top.	Check to see the unit is plugged in.
		Replace fuse or reset circuit breaker.
Burner does not operate	Air may be in the gas line.	To release air from the gas line, turn on any one of the surface burner knobs.
	Control knob is not set correctly.	Push in knob before turning to a setting.
	Burner ports are blocked.	Check burner ports to ensure it is clean. If it is clogged use a tooth brush or paper clip to clean.
Burner flames are uneven, yellow and/or noisy.	Burner ports are blocked.	Check burner ports to ensure it is clean. If it is clogged use a tooth brush or paper clip to clean.
	Burner caps are positioned incorrectly.	Place the burner caps so that the alignment pins are properly aligned to the slots.
	Propane gas is being used.	If utilizing liquid propane, the range should be converted to LP gas by a qualified technician.
Burner flames are too high or low.	Cooktop gas supply is incorrect.	Check to see the range is set up for the correct gas type. The range comes set up for natural gas. Please contact a qualified technician if you look to set up LP.
	The gas pressure is incorrect.	Check to see the pressure regulator is installed correctly and the gas line pressure to be correct.
Burner makes popping noises.	Burner is wet.	Dry the burner before use.
	Burner cap and/or gas spreader is not positioned correctly.	Place the burner caps so that the alignment pins are properly aligned to the slots.
Excessive heat around the cookware	The cookware is not the proper size for the burner.	The cookware's bottom surface should approximately be the same size as the cooking area and burner. Cookware should not extend more than 1" outside the cooking area. Adjust the flame so that it does not come up around the cookware.

Oven		
Problem	Possible Causes	Solutions
Oven is not heating.	There is no power to the oven.	Check to see the unit is plugged in.
		Replace fuse or reset circuit breaker.
Oven display is off.	Power interruption	Turn off at the main power supply (fuse or breaker box). Turn breaker back on. If conditions persists, call for service.
Cooling fan continues to run after the oven is turned off.	The electronic components have not yet cooled sufficiently.	The fan will automatically turn off when the electronic components have cooled.
Oven light does not turn on	Light bulb is either loose or burned out.	Remove bulb to see if the bulb is burned-out. Replace if burned-out and re-insert bulb.

Oven light stays on.	Door is not properly closed.	Check for obstruction in oven door.
		Check to see if the hinge is bent or door switch is broken.
Excessive moisture	Normal	When utilizing bake mode pre-heat the oven. Convection Bake and Convection Roast will eliminate any moisture in the oven.

Oven - Baking	
Problem	Possible Causes
Food browns unevenly.	Oven was not pre-heated.
	Baking cookware is too large for the recipe.
	Aluminum foil on oven rack.
	Aluminum foil on bottom of oven.
Food is too brown on bottom.	Oven was not pre-heated.
	Rack in incorrect position.
	Avoid dark colored cooking pans/sheets.
Food is dry or shrunk in size.	Oven temperature is too high.
	Baked for too long of time.
	Oven door opened frequently.
	Pan size is too large.
Food is baking/roasting too slow.	Oven was not pre-heated.
	Oven door opened too frequently.
	Oven temperature is too low.
	Tightly sealed with aluminum foil.
	Cookware is too small.
Pie crust is not brown or is soggy.	Baking time was not long enough.
	Utilization of shiny steel pans.
	Rack position is incorrect.
	Oven temperature is too low.
Cake is pale and flat.	Oven temperature is too low.
	Check baking time to be correct.
	Tested the cake too soon.
	Oven door opened too frequently.
	Pan size is too large.
Cake is high in middle with crack on top.	Oven temperature is too high.
	Baking time was too long.
	Check baking time to be correct.
	Rack position is incorrect.
	Pan size is too small.
Pie crust edges are too brown.	Oven temperature is too high.
	The crust is too thin.



## LIMITED WARRANTY

MC Appliance Corporation warrants each new Gas Range to be free from defects in material and workmanship, and agrees to remedy any such defect or to furnish a new part(s), at the company's option, for any part(s) of the unit that has failed during the warranty period. Parts and labor expenses are covered on this unit for a period of one year from the date of purchase. A copy of the dated sales receipt/invoice is required to receive warranty service, replacement or refund.

This warranty covers appliances in use within the contiguous United States, Alaska, Hawaii and Puerto Rico. This warranty does not cover the following:

- Damages due to shipping damage or improper installation.
- Damages due to misuse or abuse.
- Content losses due to failure of the unit.
- Repairs performed by unauthorized service agents.
- Service calls that do not involve defects in material and workmanship such as instructions on proper use of the product or improper installation.
- Replacement or resetting of house fuses or circuit breakers.
- Failure of this product if used for other purposes than its intended purpose.
- Disposal costs for any failed unit not returned to our factory.
- Any delivery/installation costs incurred as the result of a unit that fails to perform as specified.
- Expenses for travel and transportation for product service if your appliance is located in a remote area where service by an authorized service technician is not available.
- The removal and reinstallation of your appliance if it is installed in an inaccessible location or is not installed in accordance with published installation instructions.
- Refunds for non repairable products are limited to the price paid for the unit per the sales receipt.
- This warranty is non transferable. This warranty applies only to the original purchaser and does not extend to any subsequent owner(s).

### Limitations of Remedies and Exclusions:

Product repair in accordance with the terms herein, is your sole and exclusive remedy under this limited warranty. Any and all implied warranties including merchantability and fitness for a particular purpose are hereby limited to one year or the shortest period allowed by law. MC Appliance Corporation is not liable for incidental or consequential damages and no representative or person is authorized to assume for us any other liability in connection with the sale of this product. Under no circumstances is the consumer permitted to return this unit to the factory without the prior written consent of MC Appliance Corporation.

Some states prohibit the exclusion or limitation of incidental or consequential damages, or limitations on implied warranties. This warranty gives you specific legal rights, and you may also have other rights which vary from state to state.

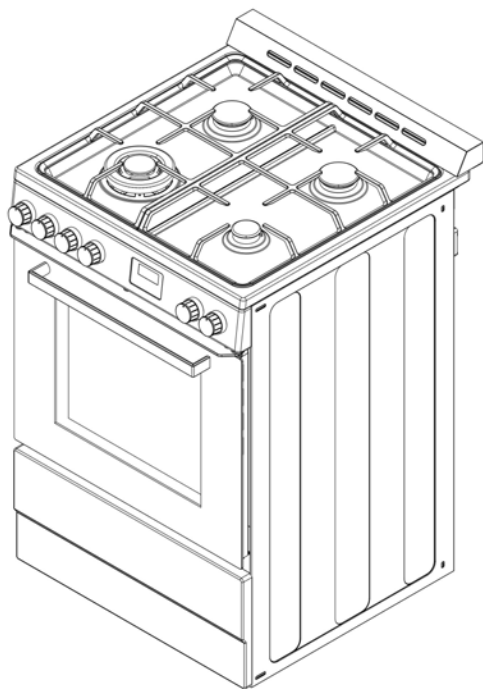
<b>Model</b>	<b>Parts</b>	<b>Labor</b>	<b>Type of Service</b>
MCSBRG24W / MCSBRG24B	One Year	One Year	Carry In

For Service or Assistance please call **888-775-0202** or visit us on the web at [www.mcappliance.com](http://www.mcappliance.com) to request warranty service or order parts.



# Estufa a gas independiente de 24 pulgadas

*Manual de usuario*



Modelo MCSBRG24W / MCSBRG24B

**LEA CUIDADOSAMENTE ESTE MANUAL ANTES DE USAR LA  
ESTUFA A GAS Y CONSÉRVELO PARA FUTURAS REFERENCIAS.**



## REGISTRACIÓN DEL PRODUCTO

Gracias por comprar el producto Magic Chef®. El primer paso para proteger su nuevo producto es completar la forma de registración en nuestra pagina web: [www.mcappliance.com/register](http://www.mcappliance.com/register). Los beneficios de registrar su producto incluyen lo siguiente:

1. Al registrar su producto nos permite contactarle para notificarle de un cambio de seguridad o actualización del producto.
2. Si llegara a necesitar servicio bajo garantía, registrando su producto nos permite ser más eficiente en procesar el servicio.
3. En el evento que usted tenga una perdida que esta cubierto por un seguro, registrando su producto puede servir como prueba de su compra.

Una vez más gracias por comprar un producto marca Magic Chef.

# ÍNDICE

REGISTRO DEL PRODUCTO .....	22
PRECAUCIONES .....	24
INSTRUCCIONES DE SEGURIDAD IMPORTANTES .....	26
ESPECIFICACIONES .....	28
PIEZAS Y CARACTERÍSTICAS .....	29
ANTES DE USAR .....	30
INSTRUCCIONES DE FUNCIONAMIENTO – QUEMADOR DE GAS .....	31
INSTRUCCIONES DE FUNCIONAMIENTO – HORNO .....	33
CUIDADO Y MANTENIMIENTO .....	37
SOLUCIÓN DE PROBLEMAS .....	39
GARANTÍA LIMITADA .....	42

# PRECAUCIONES

## EXPLICACIÓN DE LOS SÍMBOLOS

### ▲ ADVERTENCIA

Peligros o prácticas inseguras que PODRÍAN provocar lesiones personales graves o la muerte.

### ▲ PRECAUCIÓN

Peligros o prácticas inseguras que PODRÍAN provocar lesiones personales leves.

# ESTE PRODUCTO ESTÁ DISEÑADO PARA USO DOMÉSTICO SOLAMENTE

▲ **ADVERTENCIA:** Lea y comprenda todas las precauciones de seguridad. La inobservancia de todas las instrucciones descritas en este manual del usuario podría resultar en descarga eléctrica, incendio y/o lesiones personales graves. Las advertencias, precauciones e instrucciones planteadas en este manual del usuario no cubren todas las eventuales condiciones y situaciones que podrían suscitarse.

▲ **ADVERTENCIA:** Existe el riesgo de que un niño quede atrapado. Es necesario supervisar a los niños. Este electrodoméstico es para utilizarse solo para el propósito para el que fue construido tal como se describe en este manual. Lea cuidadosamente las medidas de seguridad recomendadas.

▲ **ADVERTENCIA:** Si la información en este manual no se sigue exactamente, puede producirse un incendio o una explosión ocasionando daños materiales, lesiones personales o la muerte.

- NO guarde, ni utilice gasolina, u otro vapor o líquido inflamable en las cercanías de éste o de cualquier otro aparato.

▲ **ADVERTENCIA:** Peligro de volcamiento

- Un niño o adulto puede inclinar la estufa y morir.
- La estufa puede voltearse si usted aplica mucha fuerza o peso en la puerta del horno si el soporte antivuelco no ha sido instalado correctamente. NO SE suba, recueste NI siente en la puerta o el cajón: hacer esto puede resultar en lesiones graves.
- Para evitar el riesgo de volcamiento de la estufa, la estufa debe estar asegurada por un soporte antivuelco correctamente instalado. Consulte el Manual de Instalación para el soporte antivuelco.
- Para verificar si el soporte está instalado y seguro, mire debajo de la estufa para ver que las patas de nivelación trasera estén ajustadas en el soporte. Si la inspección visual no es posible, deslice la estufa hacia adelante, confirme que el soporte antivuelco esté firmemente ajustado al piso o a la pared, deslice la estufa hacia atrás de manera que la pata de nivelación trasera esté debajo del soporte antivuelco.
- Verifique que el soporte antivuelco esté ajustado de nuevo cuando se haya movido la estufa. NO encienda la estufa sin que el soporte antivuelco esté colocado y ajustado.
- No seguir estas instrucciones puede resultar en muerte o quemaduras graves para niños y adultos.

▲ **ADVERTENCIA:** Fuga de gas

- Las fugas de gas no siempre pueden ser detectadas por el olor.

- Los proveedores de gas recomiendan la utilización de un detector de gas aprobado por UL o CSA.
- Para mayor información, comuníquese con su proveedor de gas.
- Si se detecta una fuga de gas, siga la sección “Qué hacer si huele a gas” a continuación.

**⚠ ADVERTENCIA:** Qué hacer si siente olor a gas

- NO trate de encender ningún aparato.
- NO toque ningún interruptor eléctrico.
- NO utilice ningún teléfono en la casa.
- Inmediatamente llame a su proveedor de gas desde un teléfono afuera de la casa. (Por ejemplo, vaya a la casa del vecino para llamar a su proveedor de gas o al departamento de bomberos).
- Si el proveedor de gas no puede ser contactado, llame al departamento de bomberos.
- La instalación y el servicio deben ser ejecutados por un instalador calificado o una agencia de servicio.

# INSTRUCCIONES DE SEGURIDAD IMPORTANTES

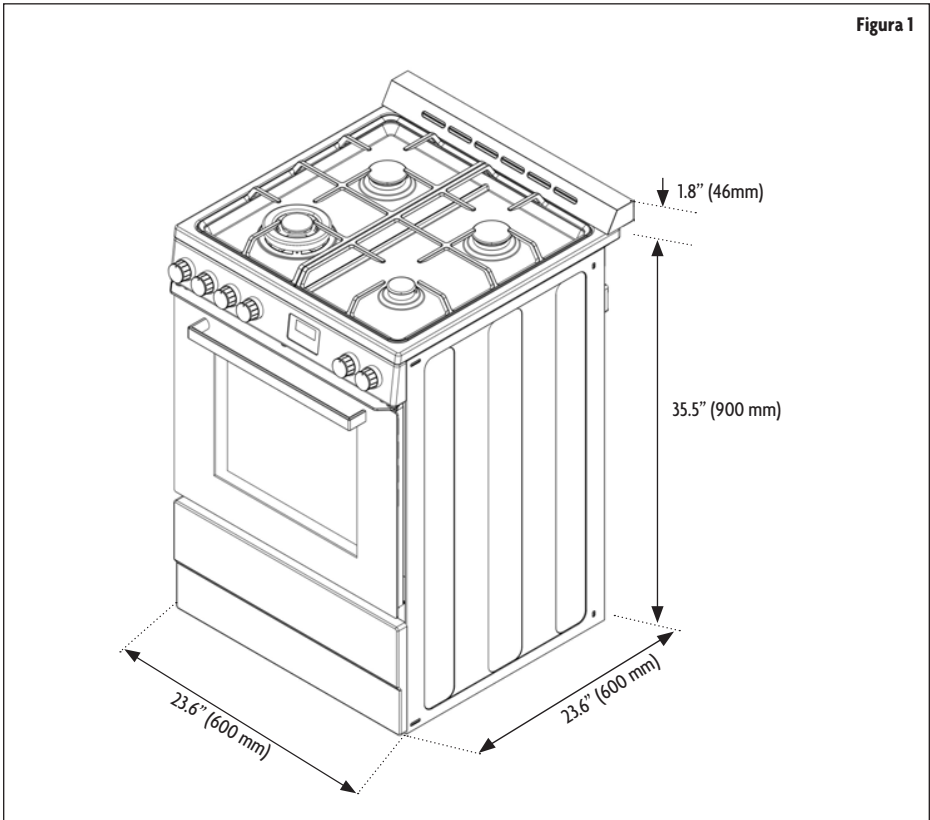
**▲ ADVERTENCIA:** Para reducir el riesgo de incendio, descarga eléctrica o lesiones personales al momento de utilizar el horno, siga las precauciones básicas.

1. El soporte antivuelco debe estar instalado y firmemente sujetado a la estufa. Verifique para corroborar que el soporte antivuelco esté firmemente sujetado a la estufa antes de usarla.
2. Asegúrese de que un técnico calificado haya instalado y conectado a tierra correctamente la estufa.
3. NO permita a nadie subirse, pararse o colgarse de la puerta del horno, la puerta del asador ni la superficie de cocción. Esto puede dañar o volcar la estufa causando lesiones graves.
4. NUNCA use este aparato para calentar una habitación. Hacerlo puede resultar en envenenamiento por monóxido de carbono y recalentamiento del horno.
5. NO DEJE A LOS NIÑOS SOLOS O DESATENDIDOS – Los niños no se deben dejar solos o desatendidos en un lugar donde se esté usando el horno; ellos pueden sufrir quemaduras o lesiones graves. A los niños NUNCA se les debe permitir sentarse o pararse en ninguna parte del horno; ellos pueden sufrir quemaduras o lesiones graves.
6. USE VESTIMENTA ADECUADA – Cuando se esté utilizando el horno, NO se deberá vestir ropa holgada ni prendas colgantes.
7. NO repare ni cambie piezas del horno a menos que esté específicamente recomendado en el manual. Todos los otros mantenimientos deben ser referidos a un técnico calificado.
8. Para evitar la posibilidad de descarga eléctrica, desconecte la fuente de alimentación antes de hacer mantenimiento a la unidad.
9. NO almacene materiales inflamables en el horno o cerca de la superficie de cocción.
10. NO guarde ni use materiales combustibles, gasolina u otros vapores o líquidos inflamables en las cercanías de la estufa o de cualquier otro aparato.
11. NO utilice agua en incendios de grasa. NUNCA agarre una sartén o cacerola en llamas. Apague los controles. Ahogue la sartén o cacerola en llamas cubriéndola por completo con la tapa de una olla, una lámina para hacer galletas o una bandeja plana. Utilice extintores de incendios de químicos secos para múltiples usos o tipo espuma.
12. La llama de grasa por fuera de la sartén o cacerola puede eliminarse cubriéndola con bicarbonato de sodio o un extintor de químicos secos para múltiples usos o tipo espuma.
13. La llamas en el horno se pueden apagar cerrando completamente la puerta del horno y apagando todos los controles. Un extintor de incendios de químicos secos para múltiples usos o tipo espuma también puede emplearse para apagar las llamas.
14. Use solo agarra-ollas secos; si estuvieran húmedos o mojados, al usarse en superficies calientes pueden causar quemaduras por vapor.
15. NUNCA cubra ni obstruya las aberturas de ventilación de la estufa. Las aberturas de ventilación proveen las entradas y salidas de aire necesarias para que la estufa funcione adecuadamente con la combustión correcta.
16. TENGA CUIDADO CUANDO ABRA LA PUERTA DEL HORNO – Tenga extrema precaución cuando abra una puerta del horno caliente. El aire caliente y el vapor que escapa del horno puede causar quemaduras en las manos, cara y ojos. Deje que el aire / vapor caliente escape antes de remover o reemplazar alimentos.

17. COLOCACIÓN DE LAS PARRILLAS DEL HORNO – se recomienda ampliamente colocar las parrillas en la posición deseada cuando el horno esta frío. Si hay que mover una parrilla mientras el horno está caliente, no permita que el agarra ollas haga contacto con el quemador caliente del horno.
18. NO TOQUE EL QUEMADOR NI LAS SUPERFICIES INTERIORES DEL HORNO. Los quemadores pueden estar calientes incluso siestán oscuros. Durante y después del uso, NO toque NI permita que la ropa u otros materiales inflamables hagan contacto con los quemadores o superficies interiores de la unidad.
19. NO CALIENTE CONTENEDORES DE ALIMENTOS CERRADOS SOBRE LOS QUEMADORES DE SUPERFICIE NI DENTRO DEL HORNO. Puede acumularse presión, haciendo explotar el contenedor, causando lesiones.
20. Asegúrese de que la bandeja de asar se haya colocado correctamente para reducir la posibilidad de incendios de grasa.
21. NUNCA deje frascos de grasa recolectada sobre la estufa ni cerca de ella.
22. NO permita que los depósitos de grasa provenientes de cocción se acumulen sobre la estufa ni cerca de ella ya que podría causar un incendio de grasa.

# ESPECIFICACIONES

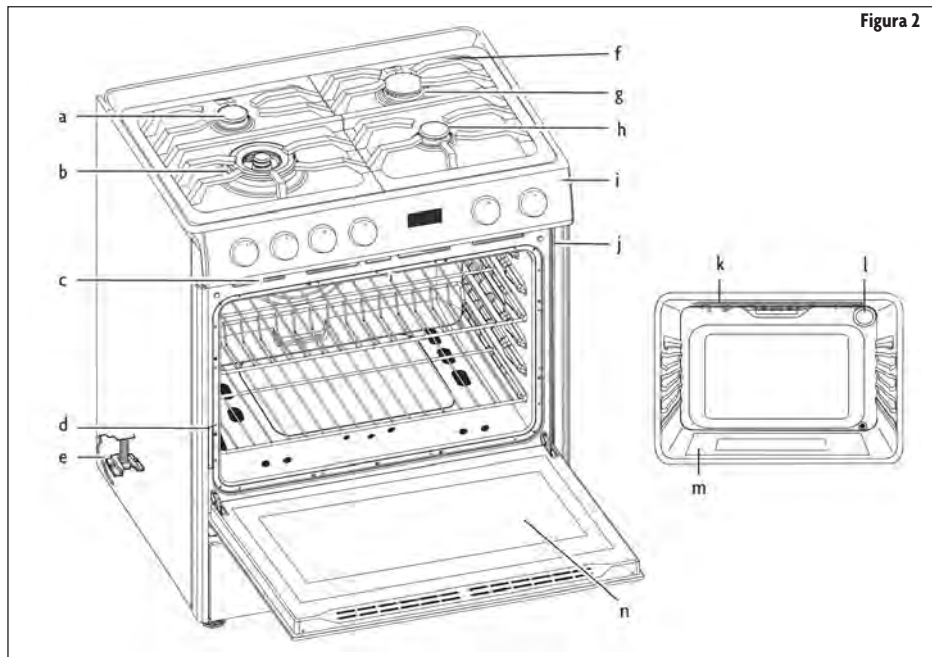
Figura 1



Alto	35.5" (900 mm)
Ancho	23.6" (600 mm)
Profundidad	23.6" (600 mm)
Peso neto	125 lbs (56.5 kg)
Capacidad neta/utilizable	5.0 Cu. Ft.

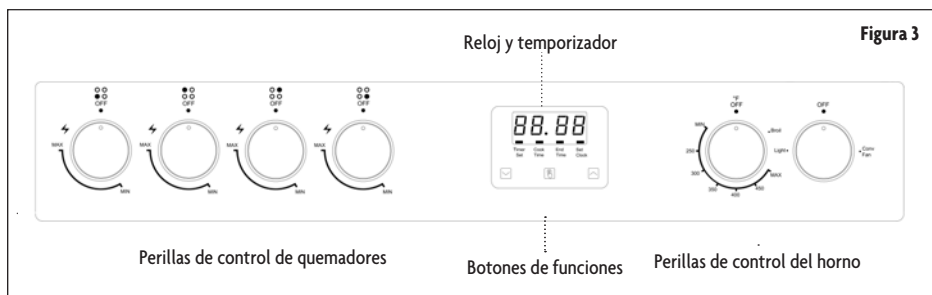
# PIEZAS Y CARACTERÍSTICAS

## PRODUCTO PARTES & ACCESORIOS



- |   |   |                                   |
|---|---|-----------------------------------|
| a. Quemador de superficie, izquierdo, trasero   | e. Soporte antivuelco                         | j. Junta de puerta                |
| b. Quemador de superficie, izquierdo, delantero | f. Parrilla                                   | k. Quemador para asar             |
| c. Ventilación del horno                        | g. Quemador de superficie, derecho, trasero   | l. Luz del horno                  |
| d. Placa con modelo y número de serie           | h. Quemador de superficie, derecho, delantero | m. Quemador inferior (no visible) |
|   | i. Panel de control                           | n. Ventana de la puerta del horno |

## PANEL DE CONTROL



# ANTES DE USAR

**▲ ADVERTENCIA:** No seguir estas instrucciones puede resultar en muerte, incendio o descarga eléctrica.

- NO permita que las llamas del quemador se extiendan más allá del borde de la cacerola.
- Apague todos los controles cuando los quemadores no estén en uso.
- SIEMPRE utilice la posición LITE (Encendido) al prender los quemadores de la superficie superior y asegúrese de que los quemadores se hayan encendido.
- NUNCA desatienda los quemadores de superficie cuando estén en fuego alto. Los desbordamientos al hervir pueden causar derrames grasientos y humo que pueden desencadenar un incendio.
- Las llamas excesivas son peligrosas. Ajuste el tamaño de la llama del quemador de manera que no sobresalga por el borde del utensilio de cocina.
- Cuando retire las parrillas para cocinar, SIEMPRE verifique que los controles de todos los quemadores estén en posición de apagado. Verifique que todas las parrillas para cocinar estén frías antes de proceder a sacarlas.

**▲ PRECAUCIÓN:** Empleo correcto de los utensilios de cocina

- Seleccione el utensilio de cocina del tamaño apropiado para cubrir las parrillas sobre los quemadores.
- NO use utensilios de cocina inestables o que se vuelquen con facilidad ya que ello puede incrementar las probabilidades de derrames y lesiones graves. Para evitar derrames, asegúrese de que el utensilio de cocina sea suficientemente grande para contener adecuadamente el alimento.
- Cuando utilice utensilios de cocina de vidrio. Asegúrese de que el vidrio del utensilio de cocina es adecuado para la superficie de cocción de la estufa.
- Mantenga todos los artículos plásticos apartados de la superficie de cocción ya que pueden derretirse si se dejan muy cerca del calor.
- SIEMPRE coloque el mango del utensilio de cocina hacia el costado o hacia atrás de la estufa sin que quede sobre la superficie de los quemadores adyacentes.
- SIEMPRE gire los controles de los quemadores a la posición de apagado antes de retirar el utensilio de cocina.
- Cuando esté utilizando los agarra ollas. Utilice solo agarra-ollas secos puesto que los agarra ollas húmedos o mojados en superficies calientes pueden resultar en quemaduras de vapor. NO permita que el agarra ollas se acerque a las llamas encendidas cuando tome el utensilio de cocina.

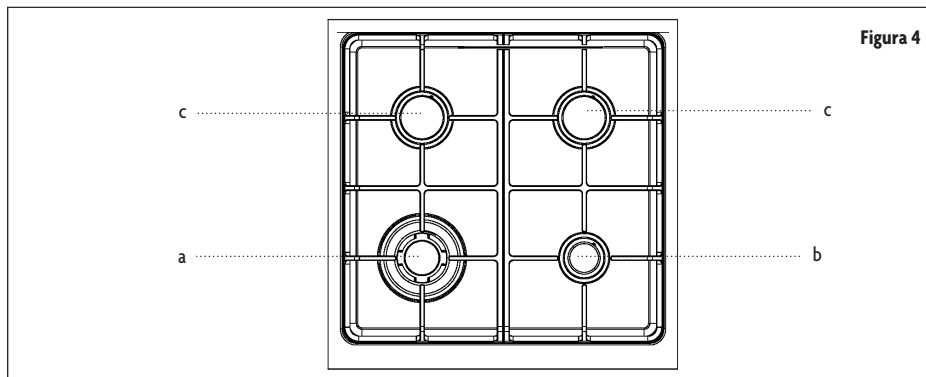
## CARACTERÍSTICAS DE LOS UTENSILIOS DE COCINA

Utilice el siguiente cuadro como guía para las características de los materiales de los utensilios de cocina.

Utensilios de cocina	Características
Aluminio	<ul style="list-style-type: none"><li>• Se calienta rápida y uniformemente.</li><li>• Adecuado para todo tipo de cocción.</li><li>• Un espesor mediano o grueso es mejor para la mayoría de las cocciones.</li></ul>
Hierro fundido	<ul style="list-style-type: none"><li>• Se calienta lenta y uniformemente.</li><li>• Bueno para dorar y freír.</li><li>• Mantiene el calor para la cocción lenta.</li></ul>
Acero inoxidable	<ul style="list-style-type: none"><li>• Se calienta rápidamente, pero no de manera uniforme.</li><li>• Un núcleo o base de aluminio o cobre en acero inoxidable proporciona calor uniforme.</li></ul>

# INSTRUCCIONES DE FUNCIONAMIENTO – QUEMADOR DE GAS

## PARRILLAS DE LOS QUEMADORES



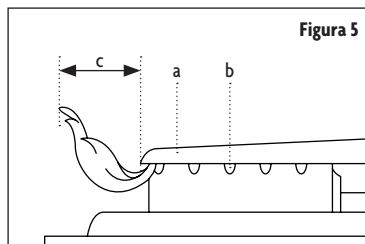
- a. a. Quemador de tres anillos: El quemador delantero izquierdo está diseñado para dar máximo poder cuando está totalmente encendido. Este quemador se utiliza para llevar líquidos a ebullición en forma rápida y cocinar grandes cantidades de alimentos.
- b. Quemador auxiliar: El quemador delantero derecho permite mayor precisión para la cocción a fuego lento y a baja temperatura.
- c. Quemador semirrápido: Los quemadores posteriores izquierdo y derecho suministran un nivel de energía de quemador entre el quemador rápido y el quemador auxiliar. Estos dos quemadores son considerados como quemadores de múltiples usos.  
Las dos parrillas sobre los quemadores son idénticas y se pueden usar tanto del lado izquierdo como del derecho de la superficie de cocción.

**▲ NOTA:** Las parrillas sobre los quemadores deben ser lavadas regularmente y luego de ocurrir derrames. Lávelas en agua caliente y jabonosa y enjuague con agua limpia. Asegúrese de que las parrillas estén completamente secas antes de colocarlas nuevamente en su lugar.

## QUEMADORES DE SUPERFICIE SELLADOS

**▲ ADVERTENCIA:** NO obstruya el flujo de combustión y el aire de ventilación alrededor de los bordes de la parrilla de los quemadores. El gas debe circular libremente a través de la abertura del tubo de gas al quemador para encenderlo correctamente. Mantenga esta área limpia y NO permita que derrames, alimentos, agentes limpiadores o cualquier otro material entren en la abertura del tubo de gas. Para evitar que derrames, alimentos, agentes limpiadores u otros materiales entren en el tubo de gas, SIEMPRE mantenga la tapa del quemador en su sitio.

- a. Tapa del quemador: SIEMPRE mantenga la tapa del quemador en su sitio cuando utilice un quemador de superficie. Para evitar un encendido deficiente y llamas desiguales, mantenga limpias las tapas de los quemadores. (Consulte «Limpieza de la superficie de cocción» en la página 16).



- b. Orificios del quemador
- c. Llama: Ocasionalmente verifique que las llamas del quemador tengan el tamaño y la forma correctas. (Consulte la Figura 5).

▲ **NOTA:** Una buena llama es de color azul y no amarilla.

## CÓMO ENCENDER LOS QUEMADORES DE SUPERFICIE

1. Presione y gire la perilla de control en el sentido contrario de las agujas del reloj hasta la posición de encendido (⚡). Todos los quemadores de superficie harán clic pero solo el quemador con la perilla de control colocada en LITE (Encendido) producirá una llama.

2. After the burner ignites, turn the control knob to the desired flame size.

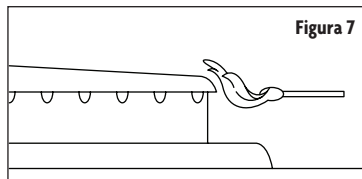
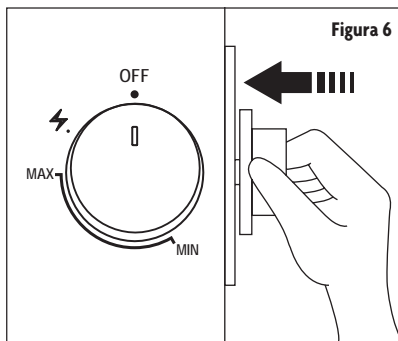
▲ **NOTA:** SIEMPRE coloque el utensilio de cocina en la parrilla del quemador antes de encender el quemador.

▲ **PRECAUCIÓN:** La llama NO DEBERÍA sobresalir más allá de los lados de la cacerola o sartén.

## EN CASO DE FALLA DE ALIMENTACIÓN

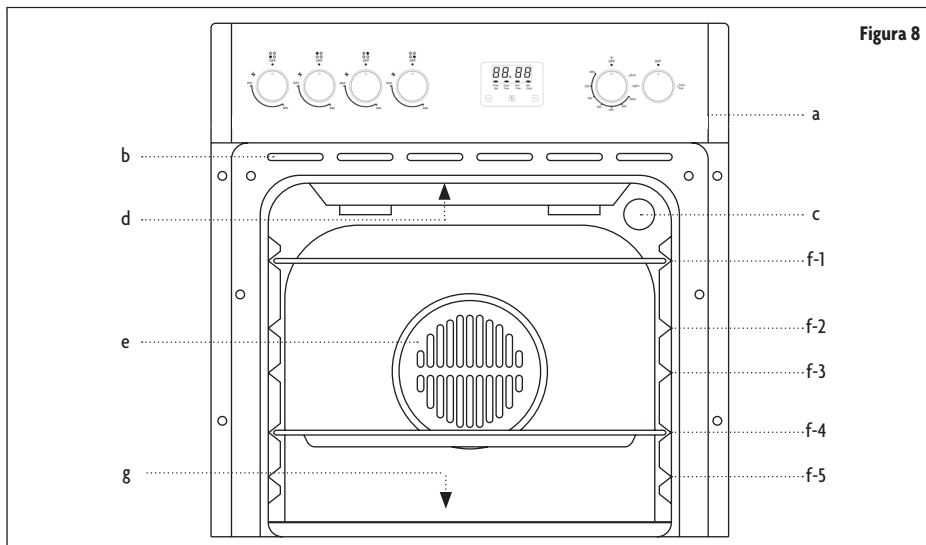
▲ **ADVERTENCIA:** Use precaución extrema cuando prenda los quemadores de esta manera.

1. Mantenga un fósforo encendido en el cabezal del quemador deseado.
2. Presione y gire la perilla de control a la posición «⚡».
3. Una vez que el quemador se encienda, ajuste la llama al tamaño deseado.



# INSTRUCCIONES DE FUNCIONAMIENTO – HORNO

## HORNO



- |                            |                              |                                      |   |
|----------------------------|------------------------------|--------------------------------------|---|
| a. Panel de control        | c. Luz interior del horno    | e. Ventilador de convección          | g. Quemador de la parte inferior (no visible) |
| b. Rejillas de ventilación | d. Quemador central superior | f. Guía de posiciones de la parrilla |   |

## COLOCACIÓN DE LAS PARRILLAS Y DE IMPLEMENTOS PARA HORNEAR

**▲ NOTA:** Para evitar daños al acabado de porcelana, NO coloque alimentos NI implementos para hornear directamente en la puerta del horno o el fondo.

### Colocación de la parrilla del horno

1. Inclíne ligeramente el borde delantero de la parrilla y deslice la parrilla hacia atrás hasta que pase la posición de parada.
2. Asegúrese de que la parrilla esté nivelada.

**▲ NOTA:** Coloque las parrillas en la posición deseada antes de encender el horno.

**▲ NOTA:** NO coloque las parrillas con implementos para hornear sobre ellas.

### Cómo quitar la parrilla del horno

Hale la parrilla hacia afuera a la posición de parada, luego levante el borde delantero y continúe halando hacia usted.

**▲ NOTA:** NO remueva las parrillas con implementos para hornear sobre ellas.

## MODOS DE COCCIÓN

### Pre calentamiento (Preheating)

- Pre calentamiento significa llevar el horno hasta una temperatura específica antes de colocar el alimento en el horno.

- Precaliente el horno según indique su receta.
- Para hornear pasteles, galletas, masas y panes es fundamental precalentar.

Hornear (Baking) (Consulte la Figura 9).

**▲ NOTA:** Este horno utiliza un quemador de gas ubicado debajo de la cavidad del horno. Esto permite que la temperatura suba de forma natural para hornear los alimentos uniformemente.

- Presione la perilla de control por 3 segundos y luego suéltela.
- El encendedor continuará chispeando.
- Luego presione y gire la perilla de control de temperatura en el sentido contrario al de las agujas del reloj hasta llegar a la temperatura deseada entre MÍN. (150 °F) a MÁX.

Asar a la parrilla (Broiling) (Consulte la Figura 10).

**▲ NOTA:** Este horno utiliza un quemador de gas localizado en la parte superior de la cavidad del horno para asar y dorar.

- Presione la perilla de control de temperatura y gire en el sentido de las agujas del reloj para encender automáticamente el quemador de asar.

**▲ PRECAUCIÓN:** El quemador de asar se mantendrá encendido hasta que el control de temperatura sea devuelto a la posición de apagado.

- SIEMPRE utilice la rejilla y bandeja de asar cuando esté asando a la parrilla.
- NUNCA cubra las aberturas de la rejilla de asar con papel aluminio. Si la parrilla se cubre con papel de aluminio, la grasa de la carne no podrá gotear y podrá encenderse fácilmente.
- NO permita que cuelguen bordes de grasa hacia los lados de la bandeja de asar.

Cocción por convección (Convection cooking) (Consulte la Figura 11).

- Durante la cocción por convección, el ventilador hará circular aire caliente en todo el horno. El movimiento de aire caliente alrededor de los alimentos ayudará a acelerar el proceso de cocción penetrando las superficies exteriores frías. Los alimentos se cocinan más uniformemente. Dorando y haciendo crujientes las superficies exteriores mientras que sella la humedad interna.
- Durante la cocción por convección, los quemadores de hornear y asar, y el ventilador funcionan para calentar la cavidad del horno. Si se abre la puerta del horno durante la cocción por convección o el precalentamiento, el ventilador se apagará de inmediato y los quemadores se apagaran después de 30 segundos. Una vez que la puerta se haya cerrado, los quemadores se volverán a encender.

**▲ NOTA:** El ventilador para convección se puede encender o apagar en cualquier momento.

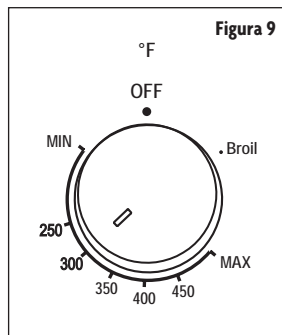


Figura 9

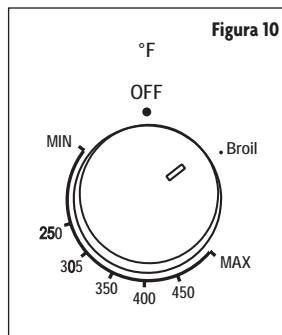


Figura 10

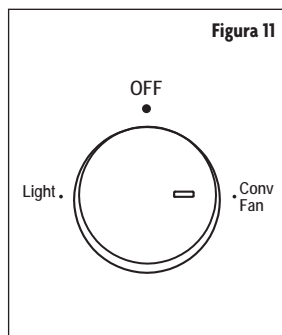


Figura 11

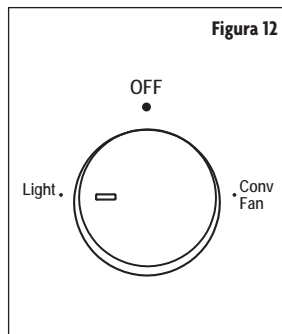


Figura 12

## Luz del horno (Consulte la Figura 12).

- Gire la perilla a «Light» para encender las luces.
- Cuando se use las funciones «Bake» (Horneado) o «Broil» (Asado), la luz del horno permanecerá encendida.

## Pantalla del horno

- La pantalla estará iluminada cuando la estufa esté conectada al suministro eléctrico

## RELOJ Y TEMPORIZADOR

### Fijar la hora del día

1. Cuando la estufa se conecta por primera vez al suministro eléctrico, la pantalla parpadeará y mostrará «12:00».
2. Para poner la hora correcta, presione el botón de la función «☰» hasta que comience a parpadear el indicador del reloj y use los botones «☑» o «☒» hasta que se muestre la hora correcta. Después de 5 segundos, la hora mostrada estará fijada; de lo contrario, usted puede presionar el botón «☰» para fijarla.

### Ajuste del temporizador

▲ **NOTA:** El temporizador digital de cuenta regresiva se puede ajustar hasta con un máximo de 23 horas y 59 minutos.

1. Presione el botón «☰» hasta que aparezca el símbolo «■» arriba del símbolo «Timer Set» (Ajuste de temporizador).
2. Use los botones «☑» o «☒» para fijar el temporizador.
3. El tiempo se fijará automáticamente si no se presiona ningún botón por 5 segundos.
4. Cuando se llega al tiempo fijado, el indicador desaparece y la unidad emite un pitido.

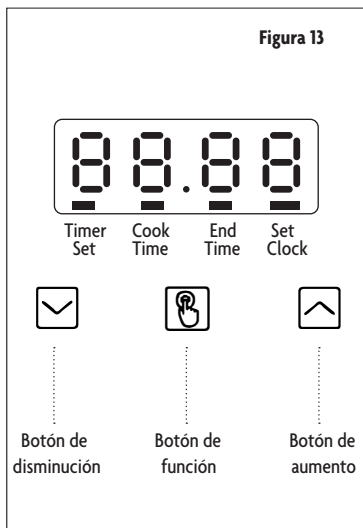
▲ **NOTA:** El temporizador no puede controlar la temperatura ni la operación de horno, por lo tanto las funciones de tiempo de cocción y tiempo de finalización no se pueden usar juntamente con el temporizador.

### Inicio de cocción postergado

1. Presione el botón «☰» hasta que el símbolo «■» arriba de «Cook Time» (Tiempo de cocción) parpadee.
2. Use el botón «☑» o «☒» para fijar el tiempo de espera para comenzar la cocción, hasta de 10 horas.
3. Fije la temperatura y el programa de cocción mediante las perillas.



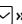


▲ **NOTA:** El horno no funcionará cuando se fije un tiempo de cocción postergado hasta tanto no termine el tiempo de espera. Para usar el horno antes de que se alcance el tiempo de espera, cancele la función Retraso volviendo a poner el tiempo de cocción a «0».

▲ **PRECAUCIÓN:** Se debe usar con precaución el tiempo de cocción postergado cuando se cocinen alimentos que pueden deteriorarse con facilidad y solo se deberían emplear para alimentos, frutas o verduras congelados o curados que no se deterioren con facilidad.



**▲ NOTA:** Asegúrese de fijar el tiempo de inicio postergado ANTES de fijar la temperatura y función del horno.

#### Final de cocción postergado

1. Presione el botón «  » hasta que el símbolo «  » arriba de «End Time» (Tiempo de final) parpadee.
2. Use el botón «  » o «  » para fijar el tiempo deseado para demorar el final de la cocción.
3. Cuando se llegue al final del programa cronometrado, la estufa emitirá un pitido. En este momento, gire las perillas a la posición «Off» (Apagado), luego presione el botón «  » para detener el pitido.

# CUIDADO Y MANTENIMIENTO

## LIMPIEZA DE LA SUPERFICIE DE COCCIÓN

### Remoción de los trébedes

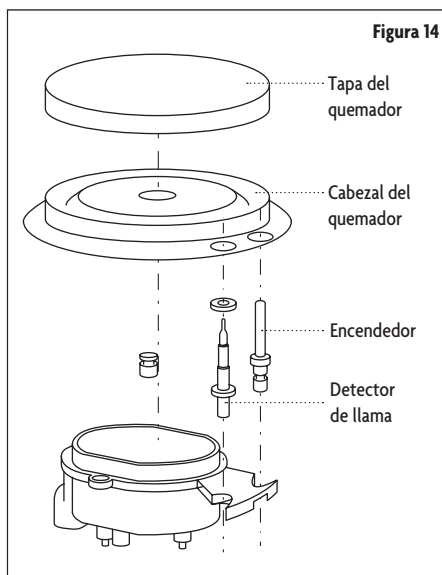
1. Los trébedes colocados en el área hueca del quemador.
2. Se pueden retirar para limpiarlos, levantándolos cuidadosamente del quemador.
3. Límpielos con agua tibia jabonosa. Asegúrese de secarlos por completo.
4. NO SUELTE el trébede para colocarlo en su lugar. Para evitar rayones y daños, coloque cuidadosamente los trébedes de nuevo a su lugar.

### Remoción del quemador

1. Las tapas y los cabezales de los quemadores son removibles para su limpieza.
2. Limpie los estorbos en el orificio de la llama mediante un fósforo o un cepillo.
3. Si las tapas, los cabezales y las tazas están muy sucios, use un compuesto de limpieza no abrasivo para eliminar el sucio acumulado.

### Reposición del cabezal y las tapas de los quemadores

1. La tapa del quemador debe estar bien colocada en el cabezal del quemador, pues de lo contrario pueden ocurrir daños durante el funcionamiento.
2. Para asegurar que esté bien puesta, cerciórese de que el encendedor y el detector de llama estén colocados en las 2 ranuras del cabezal del quemador. (Consulte la Figura 14).
3. La tapa del quemador está simplemente colocada sobre la parte de arriba del cabezal del quemador. (Consulte la Figura 14).



## LIMPIEZA DEL HORNO

**▲ IMPORTANTE:** Antes de limpiar, asegúrese que de todos los controles estén apagados y que el horno esté frío. SIEMPRE siga las instrucciones de la etiqueta en todos los productos de limpieza empleados en este horno. Jabón, agua y un paño suave o esponja, son sugeridos primero a menos que se indique lo contrario. NO use productos de limpieza abrasivos puesto que ellos pueden dañar la unidad.

### Acero inoxidable

- NO utilice esponjas para restregar impregnadas con jabón, limpiadores abrasivos, limpiadores de placas de cocina, esponjas de lana-acero, paños ásperos ni papel absorbente abrasivo.
- Se recomienda utilizar limpiador o pulitura para acero inoxidable.
- Se recomienda utilizar vinagre para manchas de agua dura.
- Se recomienda utilizar detergente líquido o limpiador de múltiples usos. Enjuague bien con agua limpia y seque con un paño suave, sin pelusas.
- Se recomienda frotar en la dirección del grano para evitar daños.

### Exterior de la puerta del horno

- Se recomienda usar limpiavidrios y papel absorbente o una esponja para restregar de plástico no abrasiva.
- Se recomienda usar limpiavidrios sobre un paño suave o esponja.
- NO lo aplique directamente al panel.

### Parrillas y tapas

- NO limpie las parrillas ni las tapas hasta tanto no se hayan enfriado.
- NO vuelva a montar las parrillas y tapas si todavía están húmedas.
- Para evitar que se desconchen, NO golpee las parrillas y tapas entre sí ni contra superficies duras.
- Se recomienda usar limpiador abrasivo suave.
- Se recomienda un paño no abrasivo o una esponja de plástico.

### Difusor del quemador

- Se recomienda lavar el difusor con frecuencia con agua hirviendo y detergente para remover cualquier depósito acumulado. Esto mantendrá constante la salida de la llama.
- SIEMPRE seque cuidadosamente el difusor del quemador antes de volverlo a instalar.

### Panel de control

- NO rocíe limpiavidrios sobre el vidrio del panel de control.
- NO utilice limpiadores abrasivos, esponjas de lana de acero ni paños ásperos. Pueden ocurrir daños.
- Aplique limpiavidrios sobre un paño suave o esponja y luego comience a limpiar el panel de vidrio.

### Cavidad del horno

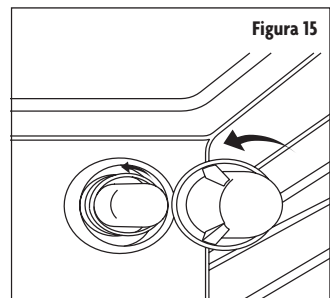
**▲ NOTA:** A altas temperaturas, los alimentos reaccionan con la porcelana, de manera que pueden producirse manchas, corrosión, picaduras o puntos blancos.

- NO comience a limpiar la cavidad del horno hasta que se haya enfriado por completo.
- NO utilice limpiadores de horno.
- Se recomienda utilizar detergente suave y agua tibia.
- Se recomienda utilizar un paño suave o una esponja de plástico no abrasiva.

## CAMBIO DE LA LUZ DEL HORNO

**▲ PRECAUCIÓN:** Antes de cambiarla, asegúrese de que el horno y la superficie de cocción estén fríos y que todas las perillas de control estén en la posición OFF (APAGADO).

1. Retire la tapa de la luz haciéndola girar en sentido contrario al de las agujas del reloj. (Consulte la Figura 15).
2. Luego saque la bombilla de luz girándola en el sentido contrario al de las agujas del reloj.
3. Reemplace la bombilla vieja por otra nueva, apta para hornos, que tenga las siguientes características:
  - Bombilla estándar de 25 vatios (G9) para electrodomésticos
  - Voltaje: 120 V
  - Vataje: 25 W
4. Vuelva a colocar la tapa de la luz girándola en el sentido de las agujas del reloj.



# SOLUCIÓN DE PROBLEMAS

Superficie de cocción		
Problema	Causas posibles	Soluciones
El quemador no se enciende.	No hay energía a la superficie de cocción.	Verifique que la unidad esté enchufada.
		Cambie el fusible o restablezca el interruptor.
El quemador no funciona	Aire en la línea de gas	Para liberar aire de la línea de gas, encienda cualquiera de las perillas de los quemadores superiores.
	La perilla de control no está bien colocada.	Presione la perilla antes de girarla a una posición.
	Están bloqueados los orificios de los quemadores.	Revise los orificios de los quemadores para asegurarse de que estén limpios. Si está obstruido, utilice un cepillo de dientes o un clip de papel para limpiar.
Las llamas del quemador son irregulares, amarillas y/o ruidosas.	Están bloqueados los orificios de los quemadores.	Revise los orificios de los quemadores para asegurarse de que estén limpios. Si está obstruido, utilice un cepillo de dientes o un clip de papel para limpiar.
	Las tapas de los quemadores están mal puestas.	Coloque las tapas de los quemadores de manera que las espigas de alineación estén bien alineadas a las ranuras.
	Se está utilizando gas propano.	Si se está utilizando propano líquido, solicite a un técnico calificado que convierta la estufa a gas PL.
Las llamas de los quemadores son muy altas o bajas.	El suministro de gas a la superficie de cocción es incorrecto.	Verifique si la estufa está configurada para el tipo de gas correcto. La estufa viene configurada para gas natural. Póngase en contacto con un técnico calificado si desea pasarla a gas LP.
	La presión de gas es incorrecta.	Verifique que el regulador esté bien instalado y que la presión de la línea de gas sea la correcta.
El quemador hace sonidos de estallido.	El quemador está mojado.	Seque el quemador antes de usar.
	La posición de la tapa del quemador y/o del difusor de gas no es la correcta.	Coloque las tapas de los quemadores de manera que las espigas de alineación estén bien alineadas a las ranuras.
Calor excesivo alrededor del utensilio de cocina.	El utensilio de cocina no es del tamaño adecuado para el quemador.	El fondo del utensilio de cocina debe ser de aproximadamente el mismo tamaño que el área de cocción y el quemador. Los utensilios de cocina no deben extenderse más de 1" fuera del área de cocción. Ajuste la llama de manera que no suba alrededor del utensilio de cocina.

Horno		
Problema	Causas posibles	Soluciones
El horno no calienta.	No está entrando energía al horno.	Verifique que la unidad esté enchufada.
		Cambie el fusible o restablezca el interruptor.
La pantalla del horno está apagada.	Interrupción de energía.	Apague en la fuente de alimentación principal (caja de fusibles o de interruptores). Vuelva a encender el interruptor. Si las condiciones persisten, llame para obtener servicio.

El ventilador de enfriamiento continúa funcionando después de apagado el horno.	Los componentes electrónicos no se han enfriado suficientemente.	El ventilador se apagará automáticamente cuando los componentes electrónicos se hayan enfriado.
La luz del horno no se enciende	La bombilla de luz está suelta o quemada.	Retire la bombilla para ver si se quemó. Reemplácela si está quemada y reinserte la bombilla.
Luz del horno se mantiene encendida.	La puerta no está bien cerrada.	Revise que no haya obstrucciones en la puerta del horno. Revise si la bisagra está doblada o si la llave de la puerta está rota.
Humedad excesiva	Normal	Cuando utilice el modo hornear precaliente el horno. El horneado de convección y el asado de convección eliminará la humedad en el horno.

Horno – Cocción	
Problema	Causas posibles
Los alimentos no se doran uniformemente.	No se precalentó el horno.
	El utensilio de cocina es muy grande para la receta.
	Papel de aluminio en la parrilla del horno.
	Papel de aluminio en el fondo del horno.
Los alimentos están demasiado marrones en el fondo.	No se precalentó el horno.
	La parrilla no está bien colocada.
	Evite fuentes de colores oscuros para hornear/láminas de cocina.
Los alimentos están secos o se han encogido.	La temperatura del horno está muy alta.
	Horneado por demasiado tiempo.
	La puerta del horno se abrió con frecuencia.
	El tamaño de la fuente para hornear es demasiado grande.
Los alimentos se están horneando / asando muy despacio.	No se precalentó el horno.
	La puerta del horno se abrió con frecuencia.
	La temperatura del horno está muy baja.
	Sellado con papel de aluminio muy apretado.
	El utensilio de cocina es muy pequeño.
La base de la tarta no se doró o está apelmazada.	El tiempo de cocción no fue suficiente.
	Utilización de moldes de aluminio brillantes.
	La posición de la parrilla no es la adecuada.
	La temperatura del horno está muy baja.

El pastel está pálido y plano.	La temperatura del horno está muy baja.
	Verifique que el tiempo de horneado sea el correcto.
	Se probó el pastel demasiado pronto.
	La puerta del horno se abrió con frecuencia.
	El tamaño de la fuente para hornear es demasiado grande.
El pastel está alto en el medio con grietas arriba.	La temperatura del horno está muy alta.
	El tiempo de cocción fue muy largo.
	Verifique que el tiempo de horneado sea el correcto.
	La posición de la parrilla no es la adecuada.
	El tamaño del molde es muy pequeño.
Los bordes de la tarta quedaron muy marrones.	La temperatura del horno está muy alta.
	La masa quedó muy delgada.



## GARANTÍA LIMITADA

MC Appliance Corporation garantiza que todas las Estufa a gas carecen de defectos en el material y la mano de obra y acuerda solucionar cualquiera de estos defectos o instalar la(s) parte(s) nueva(s) (a elección de la compañía) en caso de que la unidad haya fallado durante el periodo de garantía. Las partes y gastos de reparación están cubiertos en esta unidad por un periodo de un año a partir de la fecha de compra. Es necesario presentar una copia del recibo o factura de compra con fecha para obtener los servicios de la garantía, el reemplazo o el reembolso.

Esta garantía cubre los aparatos que se usen dentro de los Estados Unidos contiguos, Alaska, Hawái y Puerto Rico. La garantía no cubre lo siguiente:

- Daños debido al daño del envío o a la instalación incorrecta.
- Daños debido al mal uso o abuso.
- Pérdidas de contenido debido a falla de la unidad.
- Las reparaciones se realizaron por los agentes desautorizados del servicio.
- Llamadas de servicio que no impliquen defectos en material y la ejecución tal como instrucción en el uso apropiado del producto o de la instalación incorrecta.
- Reemplazo o reajuste de los fusibles o de los interruptores de la casa.
- Falla de este producto si se usa con fines distintos a los que fue diseñado.
- Costes de la disposición de unidades falladas no vueltas a nuestra fábrica.
- Todos los gastos de entrega/instalación incurridos como resultado de una unidad que no cumple con lo especificado.
- Gastos de viajes y el transporte de los productos principales de servicio si su aparato está situado en una zona remota donde el servicio por un técnico de servicio no está disponible.
- La remoción y reinstalación de su gran aparato, si está instalado en un lugar inaccesible o no está instalado de conformidad con las instrucciones de instalación publicadas.
- Restituciones por productos no reparables se limita al precio pagado por la unidad por el recibo de compra.
- Esta garantía es intransferible. Esta garantía es válida exclusivamente para el comprador original y no se extiende a ningún otro propietario o propietarios subsiguientes.

### Limitaciones de remedios y exclusiones:

La reparación del producto de acuerdo con los términos de este documento, es el único y exclusivo remedio determinado en esta garantía limitada. Todas y cada una de las garantías implicadas, incluyendo la calidad de comerciable y capacidad para un propósito particular, se limitan mediante la presente a un año o el periodo más corto permitido por la ley. MC Appliance Corporation no es responsable por daños incidentales ni resultantes y ningún representante o persona alguna están autorizados para asumir de parte nuestra ninguna otra responsabilidad en relación con la venta de este producto. Bajo ninguna circunstancia se le permite al consumidor regresar esta unidad a la fábrica sin consentimiento previo por escrito de MC Appliance Corporation.

Algunos estados prohíben la exclusión o limitación por daños incidentales o resultantes, o limitaciones en las garantías implícitas. Esta garantía le otorga a usted derechos legales específicos, y usted puede también tener otros derechos que varían según la entidad federal/va donde se encuentre.

Modelo	Piezas	Trabajo	Tipo de servicio
MCSBRG24W / MCSBRG24B	Uno año	Uno año	Lleve adentro

Para servicio o asistencia, llame por favor al **888-775-0202**. O visítenos en [www.mcpliance.com](http://www.mcpliance.com) para solicitar el servicio de garantía o repuestos.



**CNA International, Inc. realiza negocios bajo el nombre de MC Appliance Corporation. Derechos reservados.**

**El logotipo Magic Chef® es una marca registrada de CNA International, Inc.**

**[www.mcappliance.com](http://www.mcappliance.com)**

**Impreso en China**