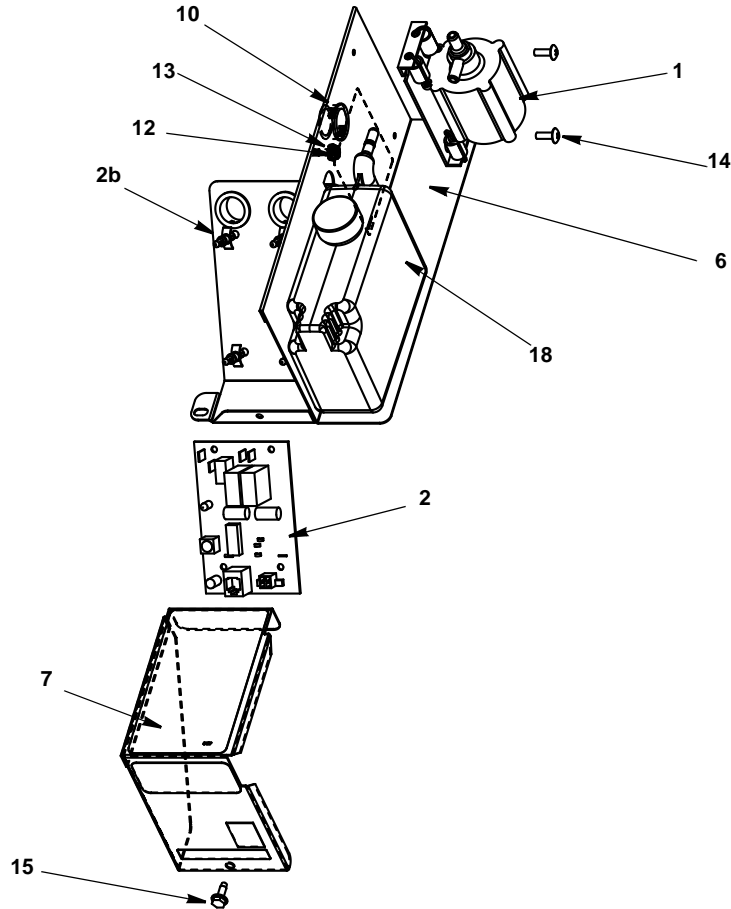




S Model
AuCs-SI Series

AUXILIARY CLEANING SYSTEM



Description

	Description	Part No
1	Pump	
	a. 115V/50-60/1	00009071
	b. 230V/50-60/1	00009072
2	Control Board	
	a. 115-230V/50-60/1	2000813
	b. Control board supports	4302253
3	Communication Wire	2007809
4	Power Cord	
	a. 115V/50-60 Hz/1	2008679
	b. 230V/50-60 Hz/1	2008689
5	Vinyl Tubing 0.25 ID (Not Shown)	4420883
6	Control Box	6061819
7	Control Box Cover	7602689
8	Line Voltage (Not Shown)	2008419
9	Fitting PVC Conduit	2502263
10	Bushing	2501409
11	Hose Clamp (Not Shown)	5650823
12	Screw #10-24x 0.50 (Ground)	5202169
13	Lockwasher #10	5573209
14	Screw #8-15x 0.50	No Longer Available
15	Screw #10x24x 1/2	5202069
16	Ice Machine Cleaner	
	a. US Shipment	00005163
	b. International Shipment	00005162
17	Ice Machine Sanitizer	
	a. US Shipment	00005165
	b. International Shipment	00005164
18	Ice Machine Cleaner Empty Bottle Only	9405443
	Ice Machine Sanitizer Empty Bottle Only	9405543
19	Y-Fitting	4010449