



Ice Machine Parts List for Series EC020 Models

ECG020A

ECG020W

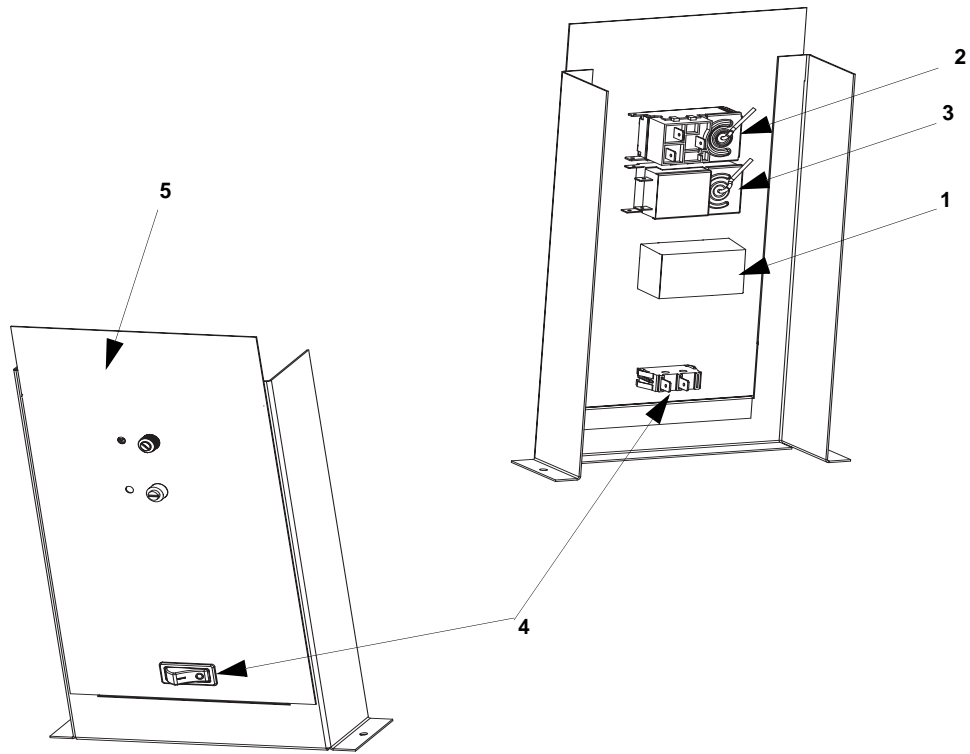
ECS020A

ECS020W

ECM020A

ECM020W

EC20 CONTROL BOX



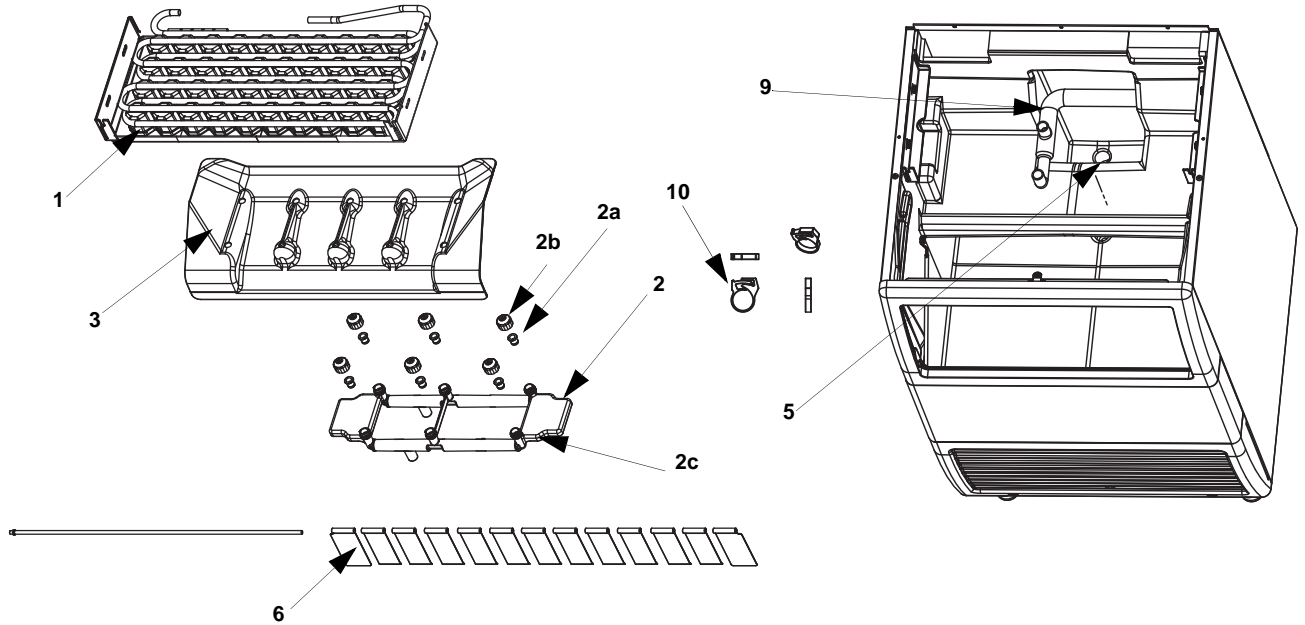
DESCRIPTION

DESCRIPTION	PART NO.
1 Mechanical Timer (Up to SN 060752130)	20-0664-9
No Timer (After SN 060752130)	
2 Evaporator Thermostat (Up to SN 060752130)	20-0883-3
Evaporator Thermostat (After SN 060752130)	20-0884-9
3 Bin Thermostat	20-0914-9
4 Toggle Switch	20-0670-9
5 Control Box Cover	60-6813-1

Miscellaneous – Brackets, Screws, etc.

6 Screw (Mount control box/cover to cabinet)	50-0449-9
7 Wiring Harness, Main	00000828
8 Wiring Harness, Toggle Switch	20-0926-9

EC20 EVAPORATOR ASSEMBLY

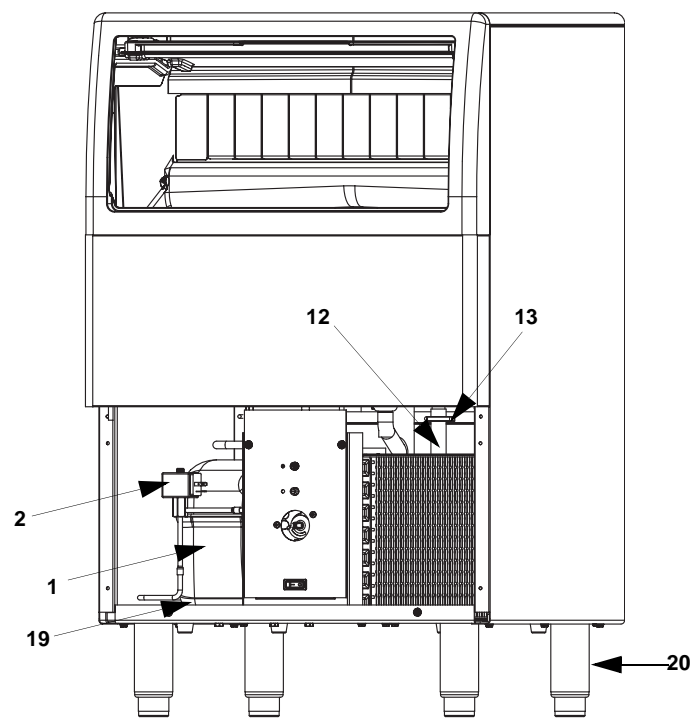
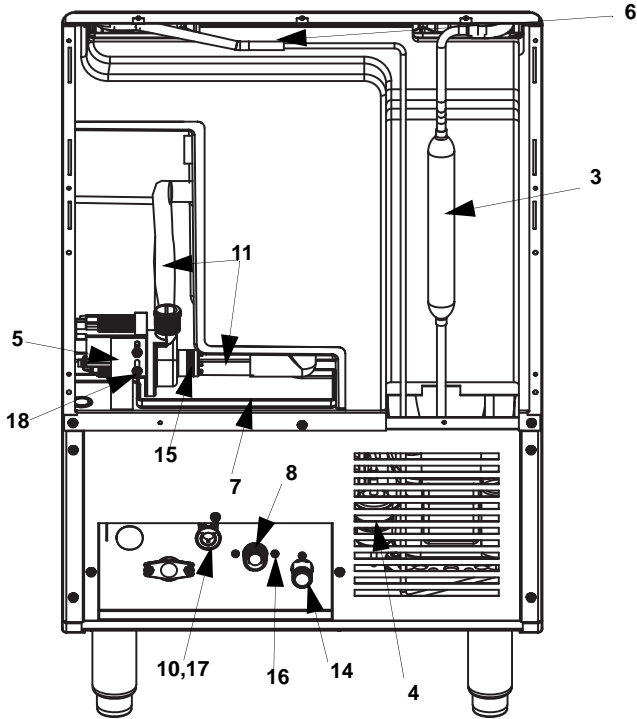


DESCRIPTION

PART NO.

1	Evaporator Assembly	
a.	Large(Up to SN 060752130)	76-0261-9
	Large(After SN 060752130)	30-0643-3
a.	Standard(Up to SN 060752130)	76-0262-9
	Standard(After SN 060752130)	30-0642-9
b.	Mini(Up to SN 060752130)	76-0263-9
	Mini(After SN 060752130)	30-0646-3
2	Spray Bar Assembly(Up to SN 060752130)	76-0264-9
	Spray Bar Assembly(After SN 060752130)	76-0342-3
a.	Insert (each)	40-0877-9
b.	Cap (each)	40-0876-9
c.	O-ring	50-0463-9
3	Ice Ramp(Up to SN 060752130)	40-1179-9
	Ice Ramp(After SN 060752130)	000000474
4	Evaporator Housing Assembly(not shown)	000000454
5	Standpipe Assembly	
a.	Standpipe	40-1274-9
b.	Plug	40-1036-9
6	Curtain Assembly	
a.	Paddle	40-0882-9
b.	Rod(Up to SN 060752130)	30-0570-9
	Rod(After SN 060752130)	30-0694-3
7	Evaporator / Spray Bar Housing	000000454
8	Evaporator Cover	000000455
Miscellaneous – Brackets, Screws, etc.		
9	Tubing (Water Pump Out)(Up to SN 060752130)	000001068
	Tubing (Water Pump Out)(After SN 060752130)	000000456
10	Spray Bar Clamp	56-5064-9
11	Water Inlet/Evaporator Diverter	60-7248-1
12	Pump Inlet Screen	40-1493-9

EC20 REFRIGERATION COMPARTMENT – COMMON PARTS

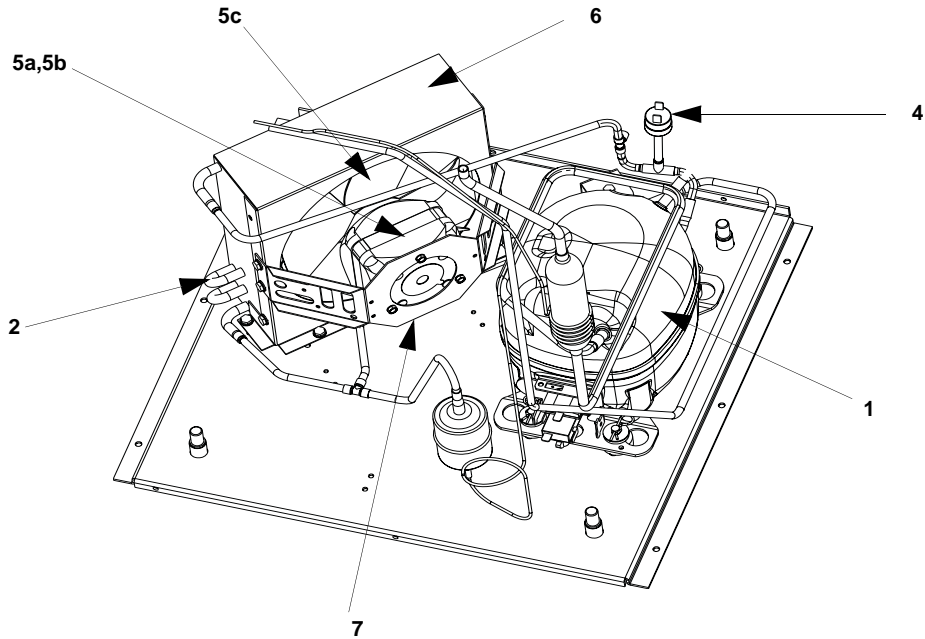


DESCRIPTION

		PART NO.
1 Compressor		
a. Up to SN 050752676 and From SN 050952333 to SN 060154172	Danfoss Compressor 230/50-60/1 Ph	76-0265-9
	Start Relay	20-0834-9
	Start Capacitor	20-0486-3
b. From SN 050752677 to SN 050952332 & From SN 060154173 to SN 060752129	Embraco Compressor 230/50-60/1 Ph	82-5363-3
	Start Relay	20-1006-3
	Start Capacitor	20-1008-3
	Overload Protector	20-1010-3
c. After SN 060752129	Embraco Compressor 230/50-60/1 Ph	82-5347-9
	Start Relay	20-0941-9
	Start Capacitor	20-0969-9
	Overload Protector	20-0944-9
d. Embraco Compressor 115V/60Hz/1 Ph	Start Relay	000000674
	Start Relay	000000675
	Start Capacitor	000000676
	Overload Protector	000000677
2 Hot Gas Valve		
a. Hot Gas Valve 230/50-60/1(Up to SN 060752130)		76-0239-3
	Hot Gas Valve 230/50-60/1(After SN 060752130)	76-2964-3
b. Hot Gas Valve Coil Only 230/50-60/1(Up to SN 060752130)		000001144
	Hot Gas Valve Coil Only 230/50-60/1(After SN 060752130)	85-0000-3
c. Hot Gas Valve 115V/60 Hz		20-0740-3
	Hot Gas Valve Coil Only 115/60/1	000001985
3 Cap Tube Assembly(Up to SN 060752130)		76-0267-9
Cap Tube Assembly(After SN 060752130)		040000151
4 Line Drier		82-5216-9
5 Water Pump		
a. 220V/50Hz		040000036
b. 220V/60Hz		040000037
c. 115V/60 Hz		000000658
d. Bracket		000000794
6 Evaporator Water Inlet Fitting		40-1116-9
7 Condensate Tray		40-1176-9
8 Water Inlet Valve		
a. 230V		000000729
b. 115V		000000730
c. Mylar Shield		000000827
9 Power Cord 230/50/1 (not shown,Except China)		20-3302-3
Power Cord 230/50/1 (not shown,Only in China)		20-0839-3
Power Cord 115/60/1 (not shown)		000000335
10 Terminal Block		20-0668-9
Miscellaneous – Brackets, Screws, etc.		
11 Vinyl Tubing		
a. Pump to Spray Bar		000000456
b. Sump to Pump		000000796
12 Bin Drain Tube(Up to SN 060650001)		40-1257-9
Bin Drain Tube(After SN 060650001)		000000196
13 Drain Line Clamp		50-0510-9
14 Drain Fitting Barbed		40-1128-9

15	Water Pump Inlet/Outlet Clamp	50-0508-9
16	Screw 7 x 7 mm (mounts water inlet valve)	50-0442-9
17	Screw 4 x 13 mm (mounts terminal block)	50-0485-9
18	Screw 5 x 13 mm (mounts water pump)	50-0502-9
19	Compressor Mounting	
	a. Compressor Mounting Retainer	56-4826-9
	b. Compressor Clevis Pin 1/4" x 1"	37-1210-9
	c. Compressor Hairpin Clip	56-4828-9
	d. Compressor Sleeve	50-0090-9
	e. Compressor Rubber Gromet	50-0089-9
	f. Compressor Washer	50-0097-9
20	Leg	50-0590-9

EC20 REFRIGERATION COMPARTMENT – AIR-COOLED



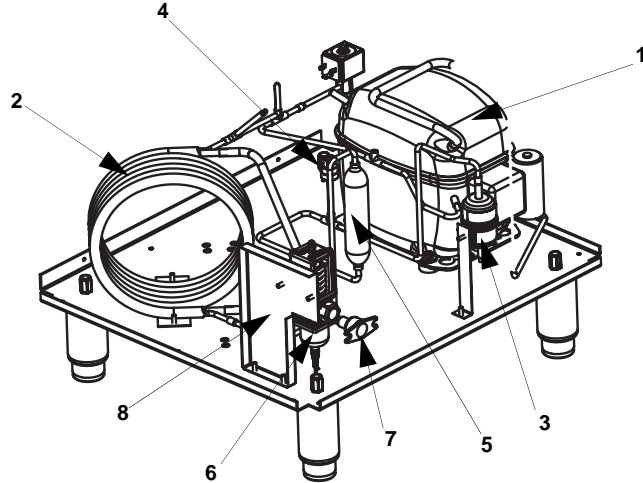
DESCRIPTION

		PART NO.
1	Compressor (Refer to COMMON PARTS Page)	Page EC20-4
2	Air Condenser	82-5290-3
3	Baffle - Air Condenser(Up to SN 060752130)	30-0603-9
	Baffle - Air Condenser(After SN 060752130)	00000468
4	Fan Cycling Control.	040001285
5	Fan Motor	
	a. 230/50-60 Hz	20-0020-9
	b. 115/60Hz.	00000694
	c. Fan Blade	30-0566-9

Miscellaneous – Brackets, Screws, etc.

6	Fan Shroud.	606822-1
7	Fan Motor Mounting Bracket	606823-1
8	Screw Hex 5 x 31 mm (bracket to shroud)	50-0449-9
9	Screw Php 7 x 7 mm (motor to bracket)	50-0442-9
10	Lockwasher	50-0523-9

EC20 REFRIGERATION COMPARTMENT – WATER-COOLED

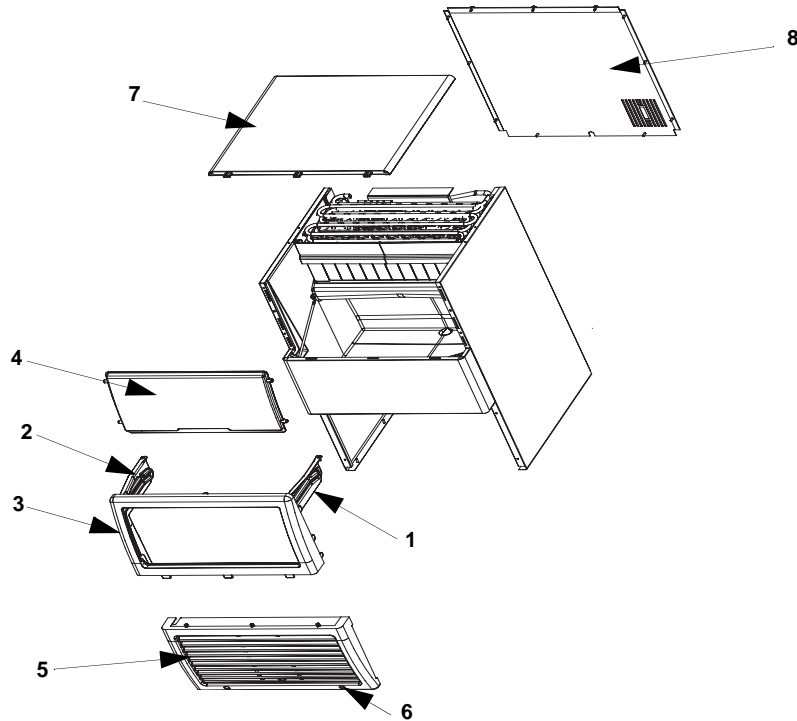


DESCRIPTION

PART NO.

1	Compressor (Refer to COMMON PARTS Page)	Page EC20-4
2	Water Condenser	82-5302-9
3	Liquid Line Drier	82-5216-9
4	HPCO	20-0683-9
5	Receiver	82-5251-9
6	Water Regulating Valve	82-5272-9
	a. Coupling 3/8 F x 3/8 NPT	83-3202-3
Miscellaneous – Brackets, Screws, etc.		
7	Adapter 1/2 NPTF	87-0610-3
8	Bracket	605603-9

EC20 PANELS



Door – Gray

1	Right Hand Track	40-1246-9
2	Left Hand Track	40-1247-9
3	Frame	40-1233-9
4	Door Assembly	40-1243-9
5	Grill	40-0999-9
6	Grill Screws (5 x 13 mm)	50-0449-9
7	Top Cover	60-6211-9
8	Back Panel	60-5893-9
9	Rear Utility Panel(not shown)	000000795

Door – Blue

1	Right Hand Track	40-1248-9
2	Left Hand Track	40-1249-9
3	Frame	40-1234-9
4	Door Assembly	40-1244-9
5	Grill	40-1227-9
6	Grill Screws (5 x 13 mm)	50-0449-9
7	Top Cover	60-6211-9
8	Back Panel	60-5893-9
9	Rear Utility Panel(not shown)	000000795

Door – Light Gray

1	Right Hand Track	40-1250-9
2	Left Hand Track	40-1251-9
3	Frame	40-1235-9
4	Door Assembly	40-1245-9
5	Grill	40-1228-9
6	Grill Screws (5 x 13 mm)	50-0449-9
7	Top Cover	60-6211-9
8	Back Panel	60-5893-9
9	Rear Utility Panel(not shown)	000000795