



## **Ice Machine Parts List for Series EC065 Models**

**ECG065A**

**ECS065A**

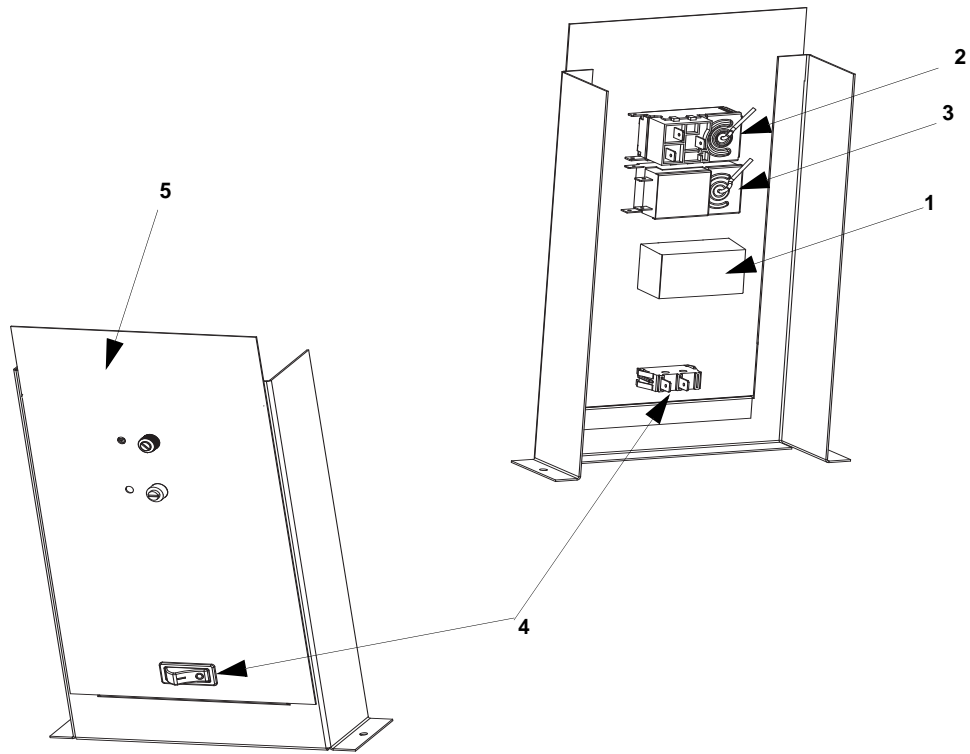
**ECM065A**

**ECG065W**

**ECS065W**

**ECM065W**

# EC65 CONTROL BOX



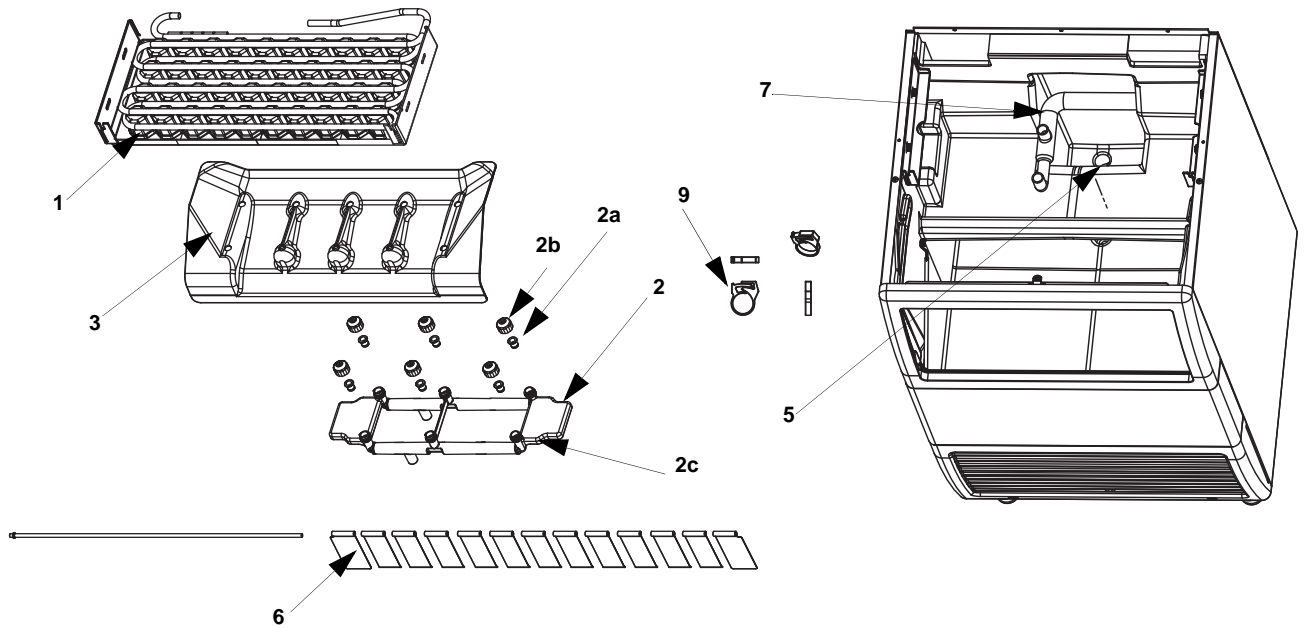
## DESCRIPTION

	<b>DESCRIPTION</b>	<b>PART NO.</b>
1	SCR Timer .....	040000879
2	Evaporator Thermostat	
	a. Mini/Standard .....	20-0927-9
	b. Large .....	20-0883-3
3	Bin Thermostat .....	20-0914-9
4	Toggle Switch .....	20-0670-9
5	Control Box Cover .....	607199-9

## Miscellaneous – Brackets, Screws, etc.

6	Bolt .....	50-0561-9
7	Nut .....	50-0451-9
8	Washer .....	50-0494-9
9	Ground Screw .....	52-0232-3

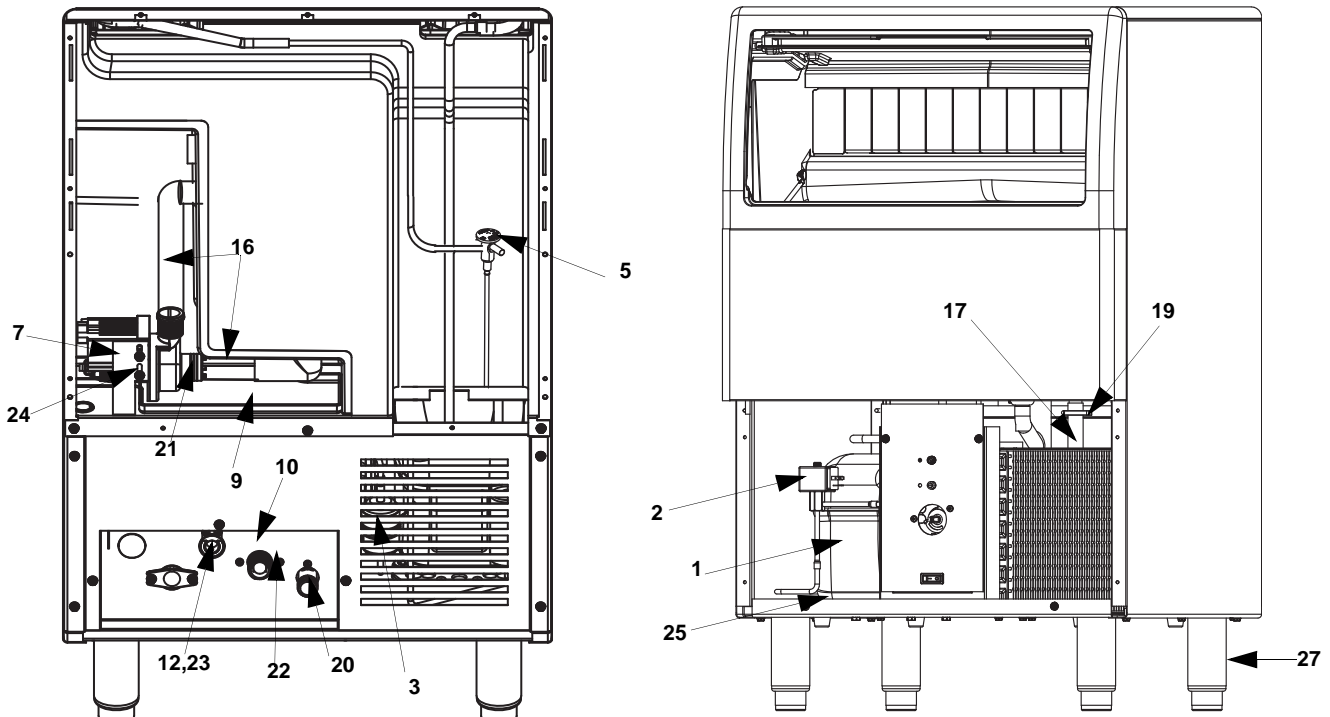
# EC65 EVAPORATOR ASSEMBLY



## DESCRIPTION

		PART NO.
1	<b>Evaporator Assembly</b>	
	a. Large .....	30-0645-9
	b. Standard .....	30-0644-9
	c. Mini .....	60-6700-9
2	<b>Spray Bar Assembly</b> .....	76-0349-3
	a. Insert (each) .....	40-0877-9
	b. Cap (each) .....	40-0876-9
	c. O-ring .....	50-0463-9
3	<b>Ice Ramp</b> .....	40-1357-9
4	<b>Evaporator Housing Assembly(not shown)</b> .....	40-1396-9
5	<b>Standpipe Assembly</b>	
	a. Standpipe .....	40-1519-9
	b. Plug .....	40-1036-9
6	<b>Curtain Assembly</b>	
	a. Paddle (each uses 16 per machine) .....	40-0882-9
	b. Rod .....	30-0621-9
<b>Miscellaneous – Brackets, Screws, etc.</b>		
7	Tubing (Water Pump Out) .....	000000959
8	Drain Screen .....	40-1493-9
9	Spray Bar Clamp .....	50-0508-9
10	Water Inlet Diverter .....	60-7248-1

# EC65 REFRIGERATION COMPARTMENT – COMMON PARTS



## DESCRIPTION

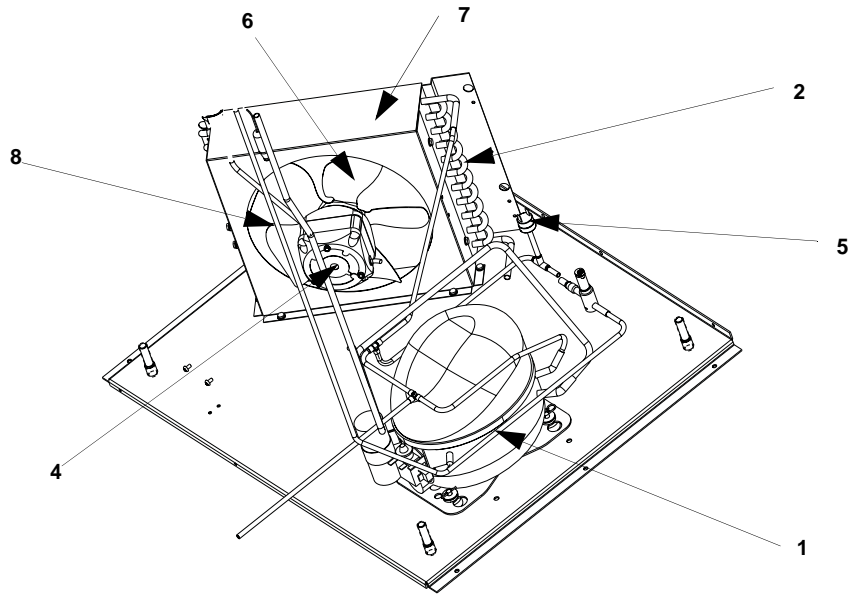
		<b>PART NO.</b>
1	<b>Compressor</b>	
	a. Danfoss 230/50-60/1 Ph. . . . .	82-5320-9
	Start Relay . . . . .	20-0487-3
	Start Capacitor . . . . .	20-0486-3
2	<b>Hot Gas Valve</b>	
	a. Hot Gas Valve . . . . .	76-0346-3
	b. Hot Gas Valve Coil Only . . . . .	000002049
3	<b>Line Drier</b> . . . . .	82-5215-9
4	<b>Bin Thermostat Tube</b> . . . . .	30-0622-9
5	<b>Expansion Valve</b> . . . . .	76-0347-3
	a. Clamp . . . . .	56-5052-9
6	<b>Insulation</b>	
	a. TXV Boot . . . . .	40-0040-3
	b. TXV Bulb . . . . .	40-0720-3
	c. Copper Strap . . . . .	30-0083-3
	d. Drive Clamp . . . . .	56-5052-9
7	<b>Water Pump</b>	
	a. 220V/50 Hz . . . . .	040000040
	b. 220V/60 Hz . . . . .	040000041
	c. Bracket . . . . .	000000794
	d. Water Pump Housing Assembly . . . . .	40-1347-3
8	Evaporator Water Inlet Fitting . . . . .	40-1116-9
9	Condensate Tray . . . . .	40-1348-9
10	Water Inlet Valve	
	230V/50-60 Hz . . . . .	000000888
	Mylar Shield . . . . .	000000827
11	Power Cord 230/50/1 (not shown) . . . . .	20-0674-9
12	Terminal Block . . . . .	20-0668-9
13	Wiring Harness, Toggle Switch . . . . .	20-0977-3
14	Wiring Harness, Main . . . . .	000001181
15	Restrictor . . . . .	20-0823-9

## EC65 REFRIGERATION COMPARTMENT – COMMON PARTS CONTINUED

### Miscellaneous – Brackets, Screws, etc.

16	Vinyl Tubing	
	a. Pump to Spray Bar	000000959
	b. Sump to Pump	000000960
17	Bin Drain Tube	000000193
18	Water Supply Hose	44-2140-3
19	Drain Line Clamp	50-0510-9
20	Drain Fitting Barbed	40-1128-9
21	Water Pump Inlet/Outlet Clamp	56-5066-9
22	Screw 7 x 7 mm (mounts water inlet valve)	50-0442-9
23	Screw 4 x 13 mm (mounts terminal block)	50-0485-9
24	Screw 5 x 13 mm (mounts water pump)	50-0502-9
25	Compressor Mounting	
	a. Compressor Mounting Retainer	56-4826-9
	b. Compressor Clevis Pin 1/4" x 1"	37-1210-9
	c. Compressor Hairpin Clip	56-4828-9
	d. Compressor Sleeve	50-0090-9
	e. Compressor Rubber Gromet	50-0089-9
	f. Compressor Washer	50-0097-9
26	Tubing (.375 ID water inlet valve to evaporator)	40-0902-9
27	Leg	50-0525-9

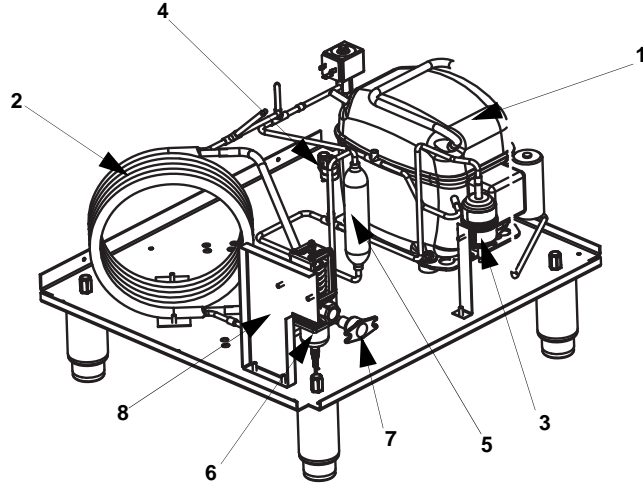
## EC65 REFRIGERATION COMPARTMENT – AIR-COOLED



### DESCRIPTION

	<b>PART NO.</b>
1 Compressor (Refer to COMMON PARTS Page) .....	Page EC65-4
2 Air Condenser .....	82-5285-3
3 Baffle - Air Condenser	
a. Rear Baffle .....	30-0623-9
b. Front Baffle .....	30-0626-9
c. Left Side Baffle .....	30-0666-9
4 <b>Fan Motor</b>	
a. 230V-50/60 Hz .....	20-0021-9
5 Fan Cycling Control .....	20-0126-3
6 Fan Blade .....	30-0565-9
<b>Miscellaneous – Brackets, Screws, etc.</b>	
7 Fan Shroud .....	606619-9
8 Fan Motor Mounting Bracket .....	606620-9
9 Screw Hex 5 x 31 mm (bracket to shroud) .....	50-0449-9
10 Screw Hex (motor to bracket) .....	50-0551-3

# EC65 REFRIGERATION COMPARTMENT – WATER-COOLED

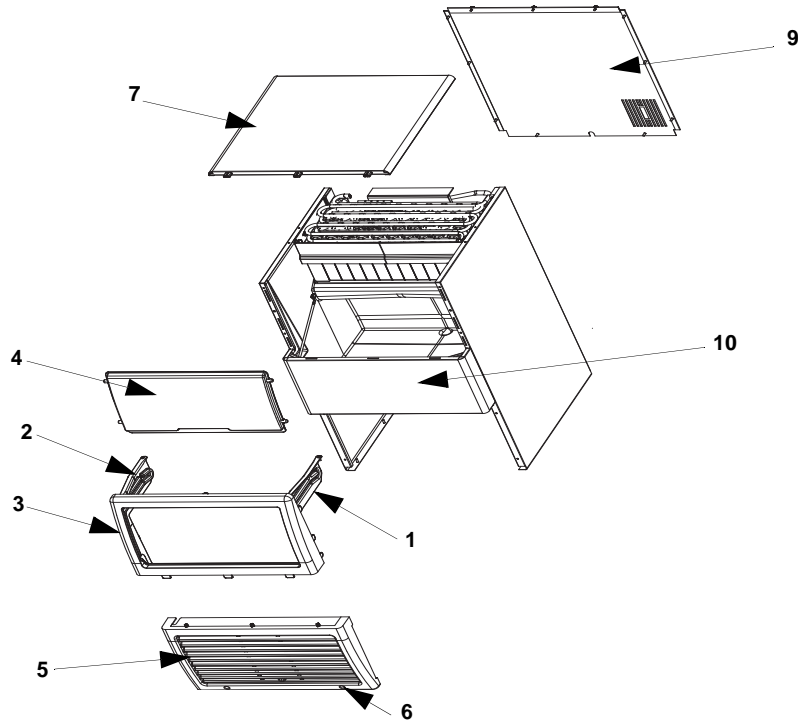


**DESCRIPTION**

**PART NO.**

1	Compressor (Refer to COMMON PARTS Page) . . . . .	Page EC65-4
2	Water Condenser . . . . .	82-5314-9
3	Liquid Line Drier . . . . .	82-5215-9
4	HPCO . . . . .	20-0124-3
5	Receiver . . . . .	82-5251-9
6	Water Regulating Valve . . . . .	83-7210-3
	a. Coupling 3/8 F x 3/8 NPT . . . . .	83-3202-3
<b>Miscellaneous – Brackets, Screws, etc.</b>		
7	Adapter 1/2 NPTF . . . . .	87-0610-3
8	Drier Bracket . . . . .	605605-1
9	Water Regulating Valve Bracket . . . . .	606897-9
	a. Screw Hex 5 x 13 mm . . . . .	50-0449-9

# EC65 PANELS



## Door – Gray

1	Right Hand Track	40-1360-9
2	Left Hand Track	40-1361-9
3	Frame	40-1371-9
4	Door Assembly	40-1383-9
5	Grill	40-1367-9
6	Screws (5 x 13 mm)	50-0449-9
7	Top Cover	76-0350-3
8	Top Support Frame	606533-1
9	Back Panel	606512-9
10	Front Panel	76-0348-3
11	Rear Utility Panel	000001154

## Door – Blue

1	Right Hand Track	40-1362-9
2	Left Hand Track	40-1363-9
3	Frame	40-1372-9
4	Door Assembly	40-1384-9
5	Grill	40-1368-9
6	Screws (5 x 13 mm)	50-0449-9
7	Top Cover	76-0350-3
8	Top Support Frame	606533-1
9	Back Panel	606512-9
10	Front Panel	76-0348-3
11	Rear Utility Panel	000001154

## Door - Light Gray

1	Right Hand Track	40-1364-9
2	Left Hand Track	40-1365-9
3	Frame	40-1373-9
4	Door Assembly	40-1385-9
5	Grill	40-1369-9
6	Screws (5 x 13 mm)	50-0449-9
7	Top Cover	76-0350-3
8	Top Support Frame	606533-1
9	Back Panel	606512-9
10	Front Panel	76-0348-3
11	Rear Utility Panel	000001154