



## **Ice Machine Parts List for Series EC080 Models**

**ECG080A**

**ECG080W**

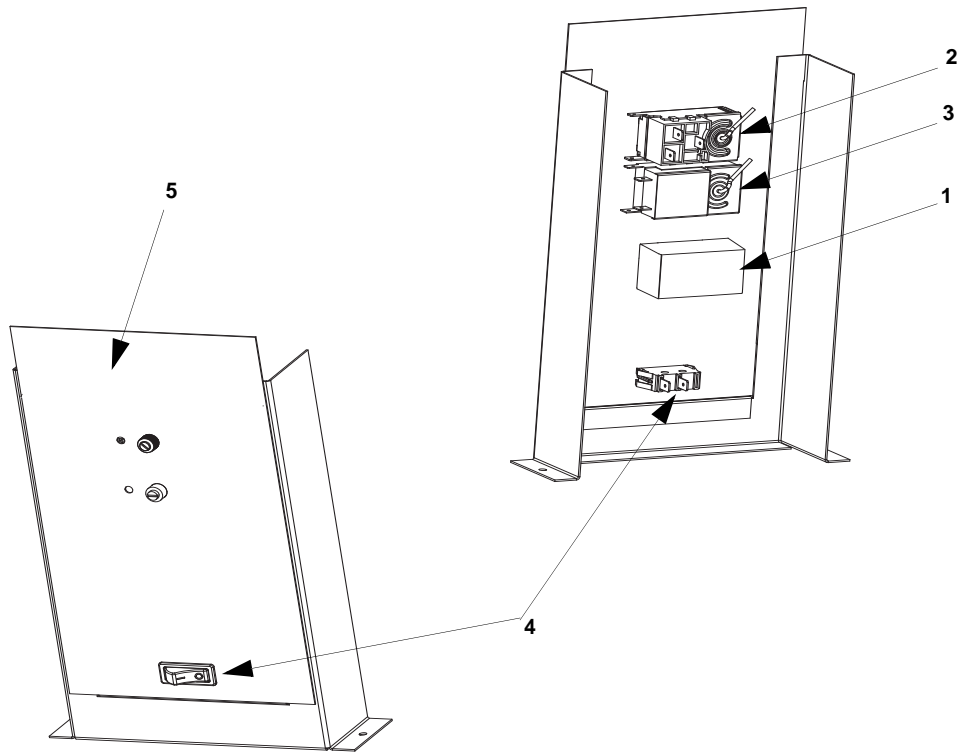
**ECS080A**

**ECS080W**

**ECM080A**

**ECM080W**

# EC80 CONTROL BOX



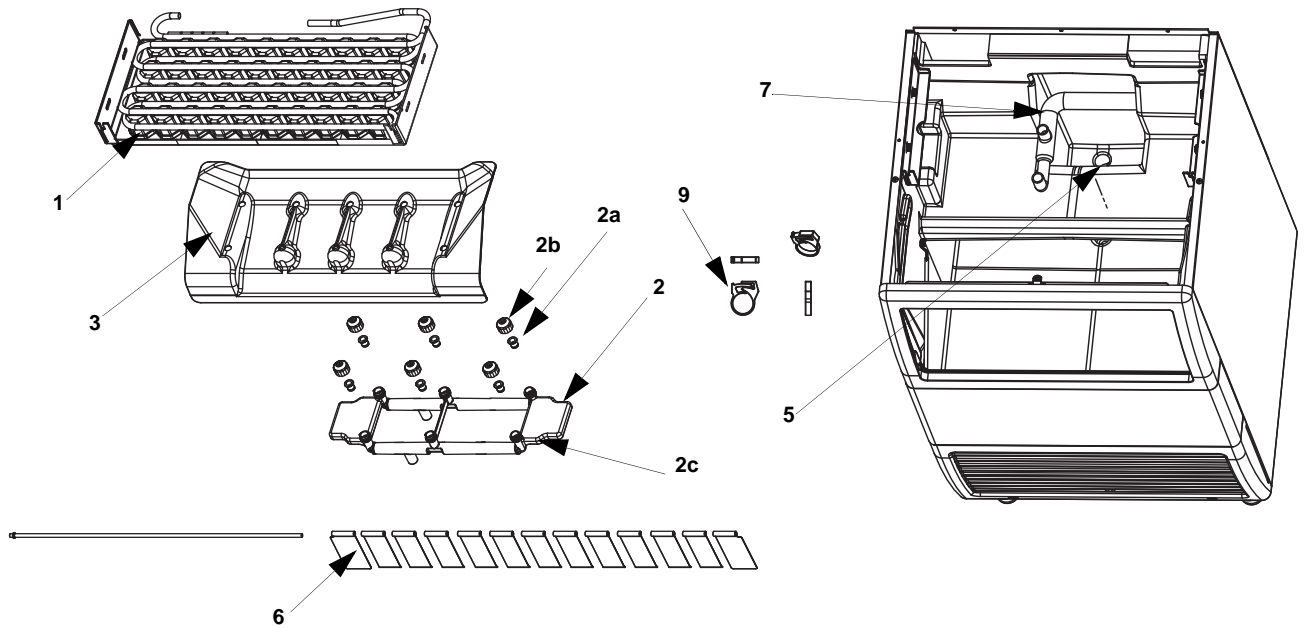
## DESCRIPTION

	<b>DESCRIPTION</b>	<b>PART NO.</b>
1	SCR Timer .....	040000879
2	Evaporator Thermostat	
	a. Mini/Standard .....	20-0927-9
	b. Large .....	20-0883-3
3	Bin Thermostat .....	20-0914-9
4	Toggle Switch .....	20-0670-9
5	Control Box Cover .....	607199-9

## Miscellaneous – Brackets, Screws, etc.

6	Bolt .....	50-0561-9
7	Nut .....	50-0451-9
8	Washer .....	50-0494-9
9	Ground Screw .....	52-0232-3

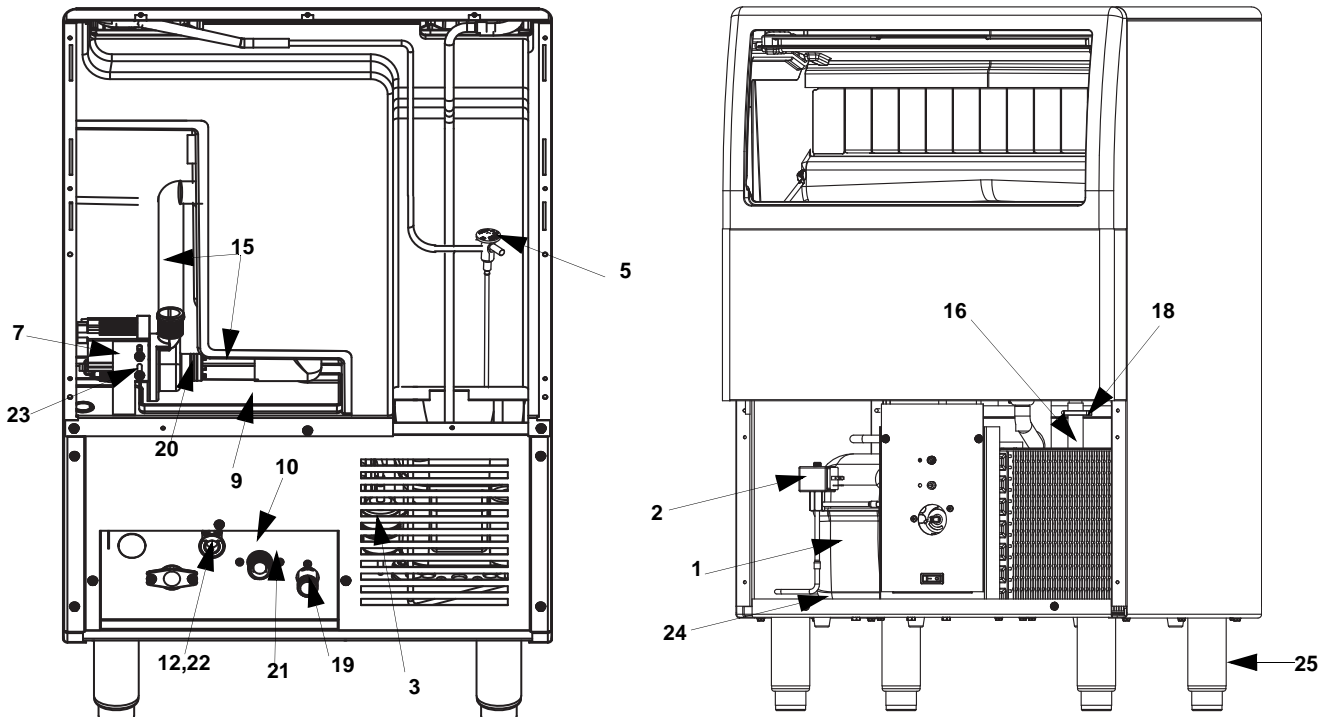
# EC80 EVAPORATOR ASSEMBLY



## DESCRIPTION

		PART NO.
1	<b>Evaporator Assembly</b>	
	a. Large .....	30-0645-9
	b. Mini .....	30-0649-3
	c. Standard .....	30-0644-9
2	<b>Spray Bar Assembly</b> .....	76-0349-3
	a. Insert (each) .....	40-0877-9
	b. Cap (each) .....	40-0876-9
	c. O-ring .....	50-0463-9
3	<b>Ice Ramp</b> .....	40-1357-9
4	<b>Evaporator Housing Assembly(not shown)</b> .....	40-1396-9
5	<b>Standpipe Assembly</b>	
	a. Standpipe .....	40-1519-9
	b. Plug .....	40-1036-9
6	<b>Curtain Assembly</b>	
	a. Paddle (each uses 16 per machine) .....	40-0882-9
	b. Rod .....	30-0621-9
<b>Miscellaneous – Brackets, Screws, etc.</b>		
7	Tubing (Water Pump Out) .....	000000959
8	Drain Screen .....	40-1493-9
9	Spray Bar Clamp .....	50-0508-9
10	Water Inlet Diverter .....	60-7248-1

# EC80 REFRIGERATION COMPARTMENT – COMMON PARTS



## DESCRIPTION

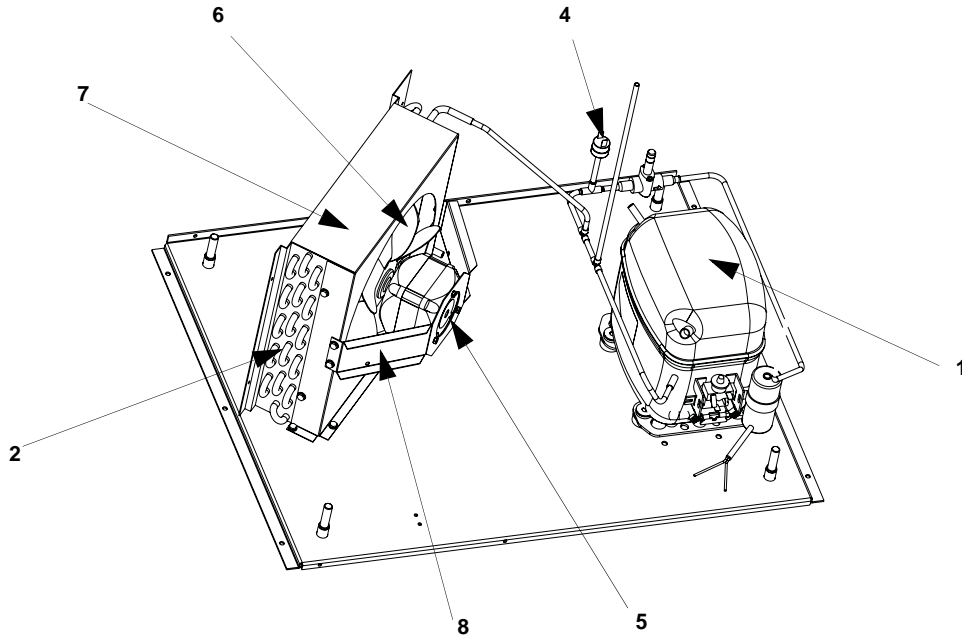
DESCRIPTION	PART NO.
<b>1 Compressor</b>	
a. Danfoss 230/50-60/1 Ph. . . . .	82-5321-9
Start Relay . . . . .	82-5108-3
Start Capacitor . . . . .	82-5109-3
b. Danfoss 115/60/1 Ph . . . . .	040000166
Start Relay . . . . .	82-5103-3
Start Capacitor . . . . .	82-5102-3
<b>2 Hot Gas Valve</b>	
a. Hot Gas Valve(230/50-60/1) . . . . .	76-0346-3
Hot Gas Valve Coil Only(230/50-60/1) . . . . .	000002049
b. Hot Gas Valve(115/60/1) . . . . .	040000244
Hot Gas Valve Coil Only(115/60/1) . . . . .	000002048
<b>3 Line Drier</b> . . . . .	82-5334-3
<b>4 Bin Thermostat Tube</b> . . . . .	30-0622-3
<b>5 Expansion Valve</b> . . . . .	76-0347-3
a. Clamp . . . . .	56-5052-9
<b>6 Insulation</b>	
a. TXV Boot . . . . .	40-0040-3
b. TXV Bulb . . . . .	40-0720-3
c. Copper Strap . . . . .	30-0083-3
d. Drive Clamp . . . . .	56-5052-9
<b>7 Water Pump</b>	
a. 220V/50 Hz . . . . .	040000040
b. 220V/60 Hz . . . . .	040000041
c. 115V/60 Hz . . . . .	000000660
d. Bracket . . . . .	000000794
e. Water Pump Housing Assembly . . . . .	40-1347-3
<b>8 Evaporator Water Inlet Fitting</b> . . . . .	40-1116-9
<b>9 Condensate Tray</b> . . . . .	40-1348-9
<b>10 Water Inlet Valve</b>	
a. 230V/50-60 Hz . . . . .	000000888
b. 115V/60 Hz . . . . .	000000890
c. Mylar Shield . . . . .	000000827
<b>11 Power Cord 230/50/1 (not shown,Except China)</b> . . . . .	20-3302-3
<b>Power Cord 230/50/1 (not shown,Only in China)</b> . . . . .	20-0839-3
<b>Power Cord 115/60/1 (not shown)</b> . . . . .	000000335
<b>12 Terminal Block</b> . . . . .	20-0668-9
<b>13 Wiring Harness, Toggle Switch</b> . . . . .	20-0977-3
<b>14 Wiring Harness, Main</b> . . . . .	000001181

## EC80 REFRIGERATION COMPARTMENT – COMMON PARTS CONTINUED

### Miscellaneous – Brackets, Screws, etc.

15	Vinyl Tubing	
	a. Pump to Spray Bar	000000959
	b. Sump to Pump	000000960
16	Bin Drain Tube	000000193
17	Water Supply Hose	44-2140-3
18	Drain Line Clamp	50-0510-9
19	Drain Fitting Barbed	40-1128-9
20	Water Pump Inlet/Outlet Clamp	56-5066-9
21	Screw 7 x 7 mm (mounts water inlet valve)	50-0442-9
22	Screw 4 x 13 mm (mounts terminal block)	50-0485-9
23	Screw 5 x 13 mm (mounts water pump)	50-0502-9
24	Compressor Mounting	
	a. Compressor Mounting Retainer	56-4826-9
	b. Compressor Clevis Pin 1/4" x 1"	37-1210-9
	c. Compressor Hairpin Clip	56-4828-9
	d. Compressor Sleeve	50-0090-9
	e. Compressor Rubber Gromet	50-0089-9
	f. Compressor Washer	50-0097-9
25	Leg	50-0525-9
26	Restrictor	20-0823-9
27	Tubing (water inlet valve to evaporator)	40-0902-9

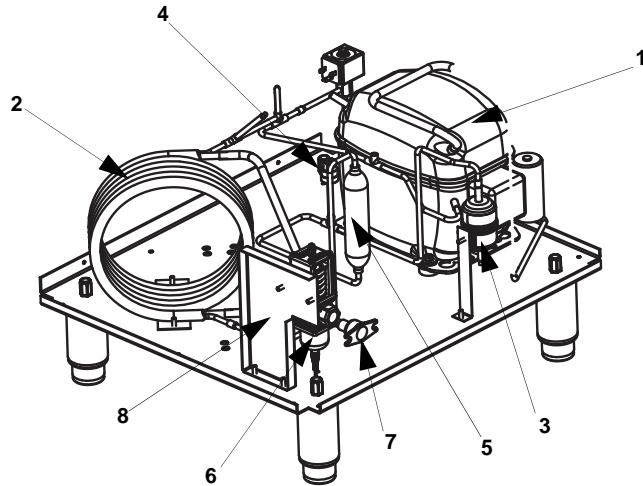
## EC80 REFRIGERATION COMPARTMENT – AIR-COOLED



### DESCRIPTION

	<b>DESCRIPTION</b>	<b>PART NO.</b>
1	Compressor (Refer to COMMON PARTS Page) . . . . .	Page EC80-4
2	Air Condenser . . . . .	82-5284-3
3	Baffle - Air Condenser . . . . .	
	a. Rear Baffle . . . . .	30-0623-9
	b. Front Baffle . . . . .	30-0626-9
	c. Left Side Baffle . . . . .	30-0666-9
4	Fan Cycling Control. . . . .	20-0126-3
5	<b>Fan Motor</b> . . . . .	
	a. 230V-50/60 Hz . . . . .	20-0021-9
	b. 115V/60 Hz . . . . .	20-0022-3
6	Fan Blade . . . . .	30-0565-9
<b>Miscellaneous – Brackets, Screws, etc.</b>		
7	Fan Shroud. . . . .	606619-9
8	Fan Motor Mounting Bracket . . . . .	606620-9
9	Screw Hex 5 x 31 mm (bracket to shroud) . . . . .	50-0449-9
10	Screw Hex (motor to bracket). . . . .	50-0551-3

# EC80 REFRIGERATION COMPARTMENT – WATER-COOLED

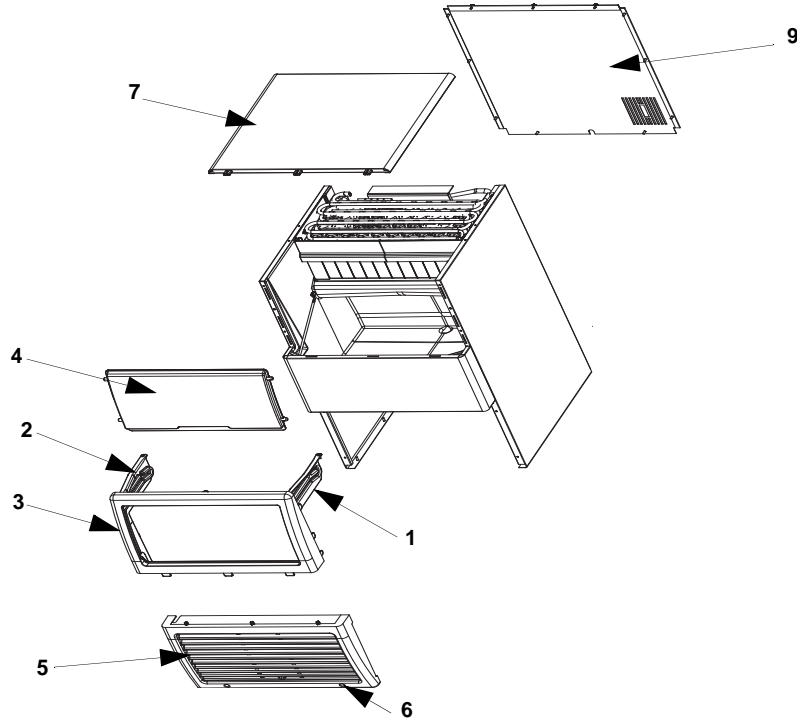


## DESCRIPTION

## PART NO.

1	Compressor (Refer to COMMON PARTS Page) . . . . .	Page EC80-4
2	Water Condenser . . . . .	82-5340-9
3	Liquid Line Drier . . . . .	82-5215-9
4	HPCO . . . . .	20-0124-3
5	Receiver . . . . .	82-5251-9
6	Water Regulating Valve . . . . .	83-7210-3
	a. Coupling 3/8 F x 3/8 NPT . . . . .	83-3202-3
<b>Miscellaneous – Brackets, Screws, etc.</b>		
7	Adapter 1/2 NPTF . . . . .	87-0610-3
8	Drier Bracket . . . . .	605605-1
9	Water Regulating Valve Bracket . . . . .	606897-9
	a. Screw Hex 5 x 13 mm . . . . .	50-0449-9

# EC80 PANELS



## Door – Gray

1	Right Hand Track	40-1360-9
2	Left Hand Track	40-1361-9
3	Frame	40-1371-9
4	Door Assembly	40-1383-9
5	Grill	40-1367-9
6	Screws (5 x 13 mm)	50-0449-9
7	Top Cover	76-0350-3
8	Top Support Frame	60-6533-1
9	Back Panel	60-6512-9
10	Front Panel	76-0348-3
11	Rear Utility Panel	000000194

## Door – Blue

1	Right Hand Track	40-1362-9
2	Left Hand Track	40-1363-9
3	Frame	40-1372-9
4	Door Assembly	40-1384-9
5	Grill	40-1368-9
6	Screws (5 x 13 mm)	50-0449-9
7	Top Cover	76-0350-3
8	Top Support Frame	60-6533-1
9	Back Panel	60-6512-9
10	Front Panel	76-0348-3
11	Rear Utility Panel	000000194

## Door - Light Gray

1	Right Hand Track	40-1364-9
2	Left Hand Track	40-1365-9
3	Frame	40-1373-9
4	Door Assembly	40-1385-9
5	Grill	40-1369-9
6	Screws (5 x 13 mm)	50-0449-9
7	Top Cover	76-0350-3
8	Top Support Frame	60-6533-1
9	Back Panel	60-6512-9
10	Front Panel	76-0348-3
11	Rear Utility Panel	000000194