



Manitowoc
Foodservice
Parts Manual

For more Parts Information:

<https://manitowocfsg.sysonline.com/Default.aspx>

TABLE OF CONTENTS

Manitowoc Foodservice [Updated: Sep. 30, 2013]

Manitowoc - Ice & Related

Parts Catalog

Ice Machine

Indigo Series

Indigo Model - Prison

i0450P Indigo

i0450P Control Box 1

i0450P Evaporator Compartment - Common Components 3

i0450P Refrigeration Compartment - Common Components 5

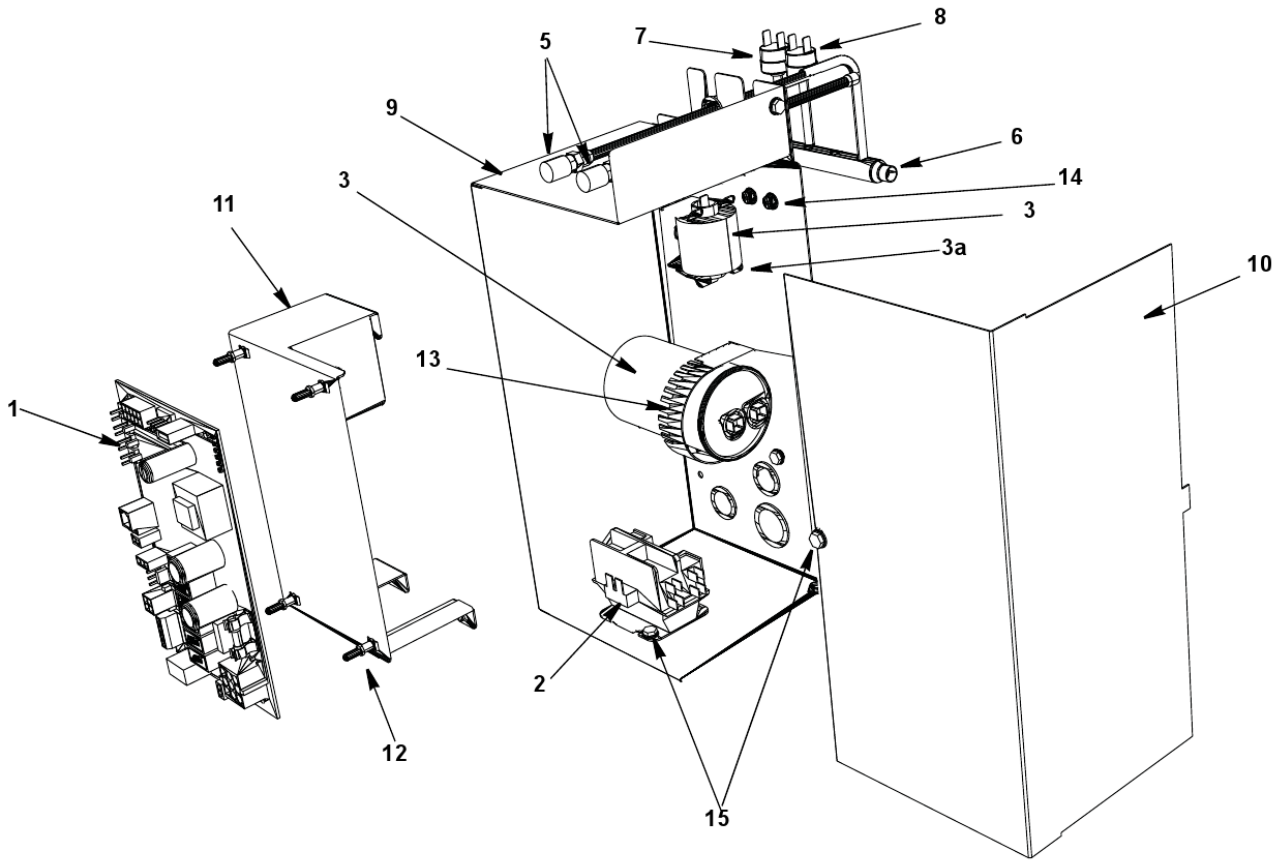
i0450P Refrigeration Compartment – Air-cooled 8

i0450P Refrigeration Compartment – Water-cooled 10

i0450P Panels 12

i0450P Indigo

I0450P CONTROL BOX



i0450P Indigo

I0450P CONTROL BOX

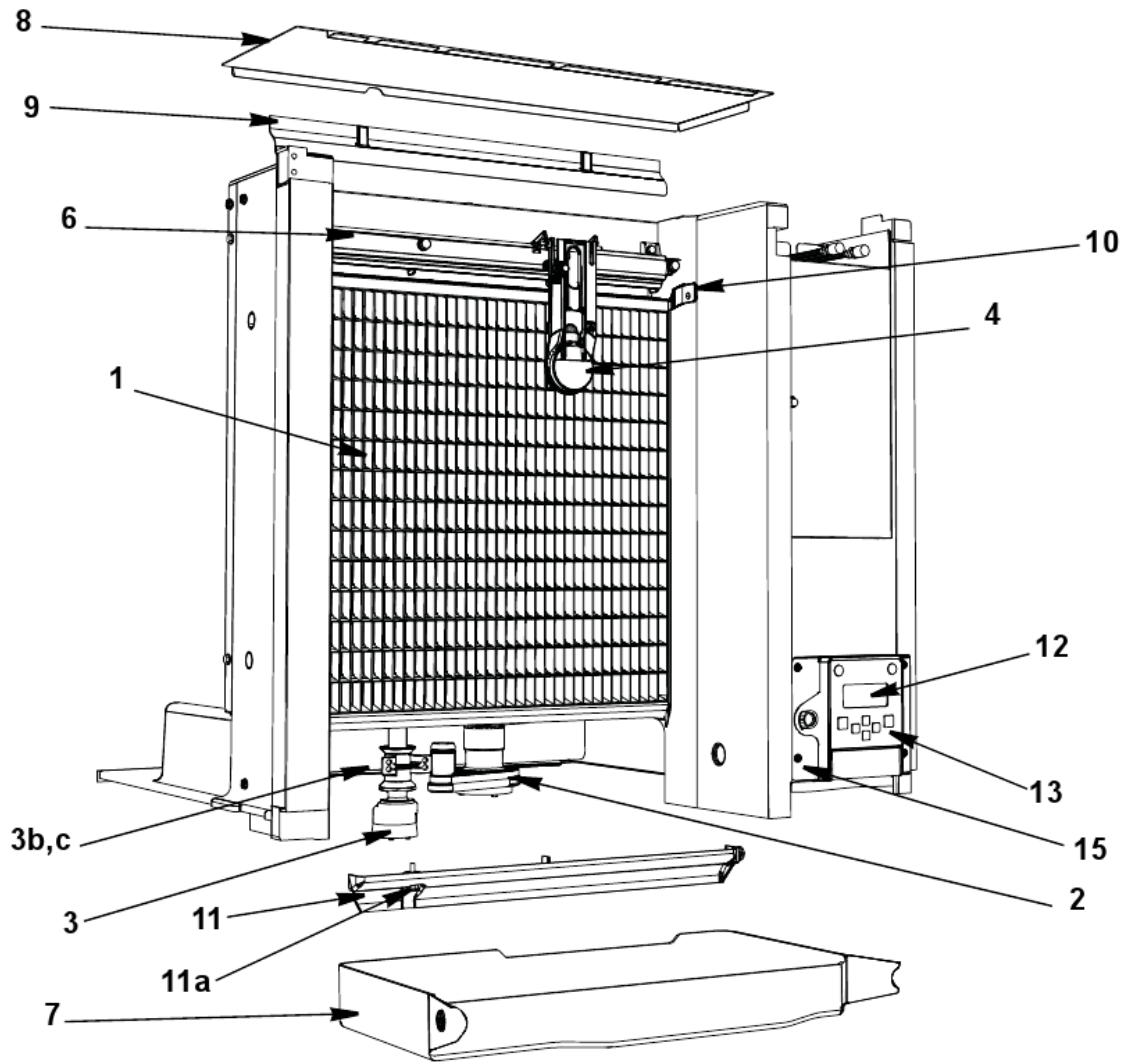
#	PART #	DESCRIPTION	QTY	Note
1	000008309	Control Board		
1a	000009181	8 amp Ceramic Fuse - Mounted on Control Board		
2		Contactor		
2a	2006589	Contactor - 115V/60 Hz/1 Ph		
2b	2006599	Contactor - 230V/50-60 Hz/1 Ph		
3	8505003	PTCR Compressor Starter		
3a	8505023	PTCR Mounting Bracket		
4		Compressor Run Capacitor - See Note for Usage		
4a	2010133	Compressor Run Capacitor - 115-230V/50-60 Hz/1 Ph		[1]
4b	8504003	Compressor Run Capacitor - 208-230V/50-60 Hz/1 Ph		[2]
4c	000007675	Compressor Run Capacitor - 208-230V/50-60 Hz/1 Ph		[3]
5	8373263	Refrigeration Service Valve Assembly		
6	000008364	Manifold Strainer		
6a	6058571	Bracket		
7	2001243	High Pressure Cut-out Control		
8	2001263	Fan Cycling Control - 200-250 psig		[4]
9	000008279	Control Box		
10	000010421	Control Box Cover		
11	000007564	Control Board Mounting Bracket		
12	4302253	Control Board Mounting Supports		
13	6024953	Capacitor Mounting Strap		
14	5202169	Screw - #10-24 x 0.50" Ground		
14a	5573209	Star Washer		
15	5202069	Screw - #10-24 x 0.50" HEX		
16	5573209	Star Washer		
17		Control Box Bushings		
17a	2500019	Bushing - 1.187"		
17b	2501409	Bushing - 0.875"		
18		Control Box Wiring Harness		
18a	000007696	Control Box Wiring Harness - 115V/60 Hz/1 Ph		
18b	000007179	Control Box Wiring Harness - 230V/60 Hz/1 Ph		
18c	000007181	Control Box Wiring Harness - 230V/60 Hz/3 Ph		
18d	000007180	Control Box Wiring Harness - 230V/50 Hz/1 Ph		
19		Compressor Compartment Wiring Harness		
19a	000007185	Wiring Harness - Compressor Compartment - Air-cooled		
19b	000007177	Wiring Harness - Compressor Compartment - Water-cooled		

PART NOTES:

- [1] - 115V/60 Hz
- [2] - 230V/60 Hz
- [3] - 230V/50 Hz
- [4] - \pages from 200126_09.jpg" width=150 height=306>

i0450P Indigo

I0450P EVAPORATOR COMPARTMENT - COMMON COMPONENTS



i0450P Indigo

I0450P EVAPORATOR COMPARTMENT - COMMON COMPONENTS

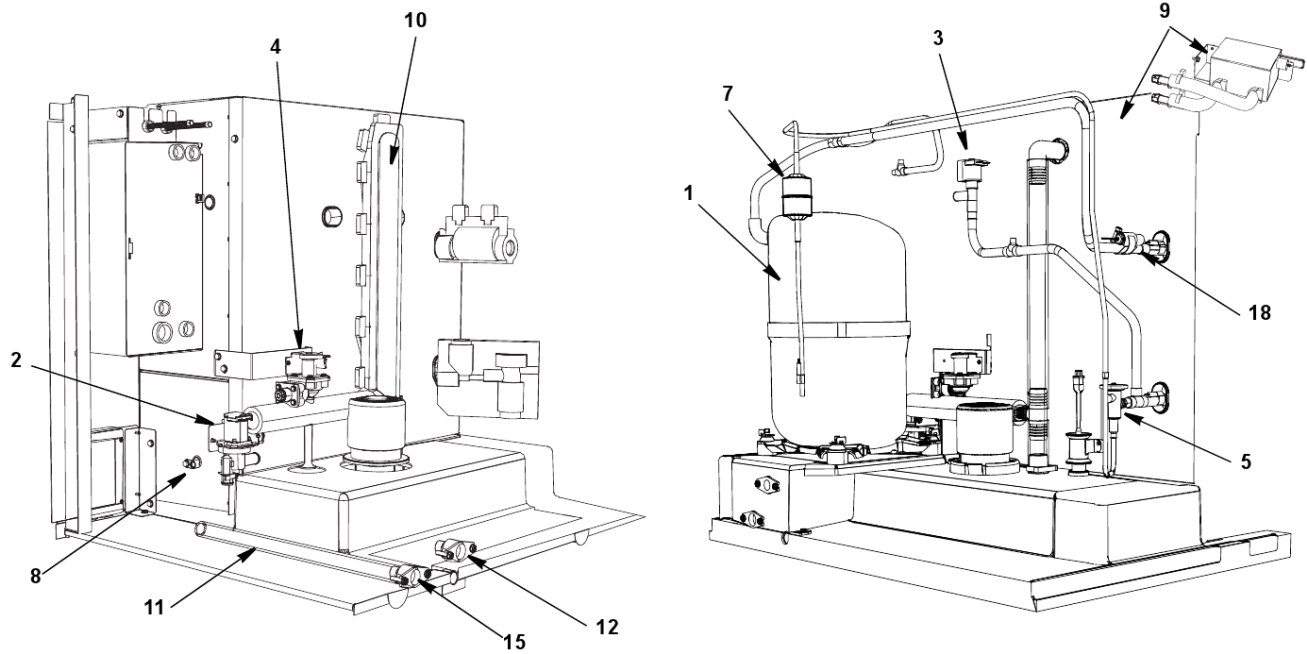
#	PART #	DESCRIPTION	QTY	Note
1		Evaporator Assembly		
1a	7602879	Evaporator - Dice Cube		
1b	7602889	Evaporator - Half Dice Cube		
2		Water Pump		
2a	2008929	Water Pump - 115V/60 Hz		
2b	2008939	Water Pump - 230V/60 Hz		
2c	2008949	Water Pump - 230V/50 Hz		
3	000007052	Water Level Probe		
3a	000007099	Wire - Control Box to Probe		
3b	000007053	Water Level Probe - Holder		
3c	5202099	Screw - #10-24 x 0.50" PHIL		[1]
4	000008660	Ice Thickness Control Probe		
5	4011189	Water Curtain		
6	7602789	Water Distribution Tube - 22" Models		
6a	5004649	O-Rings		[2]
7		Water Trough - See Note for Serial Break		
7a	000002106	Water Trough		[3]
7b	000010338	Water Trough		[4]
8	000009055	Foodzone Seal Panel		
9	4008469	Evaporator Top Filler Panel		
9a	6063339	Bracket - Top Filler Panel		
9b	5202099	Screw - #10-24 x 0.50" PHIL		
10	7602799	Evaporator Top Frame Assembly		
11	7602213	Water Diverter - 30" Models		
11a	5305123	Thumbscrew SS - #8-32 x 0.44"		
12	000006728	LCD Display		
13	000007974	Touch Pad with Housing		
14	000007737	LCD Wiring Harness - 30" Long		
15	000007746	Touch Pad/Housing Mounting Bracket		
16	5004799	Thumbscrew SS - #8-32 x 0.375"		[5]
16a	5004629	O-Ring - 0.125" ID		
17	5004619	Screw - #12-16 x 0.687"		
18	5004659	Water Pump Base O-Ring - 4.00" ID		
19	5004679	Water Pump Outlet O-Ring - 0.875" ID		

PART NOTES:

- [1] - (Mount Water Level Probe Holder)
- [2] - (Back of Distribution Assembly)
- [3] - Before Serial Number 1101223883
- [4] - After Serial Number 1101223883
- [5] - Water Distribution Tube Mounting

i0450P Indigo

I0450P REFRIGERATION COMPARTMENT - COMMON COMPONENTS



i0450P Indigo

I0450P REFRIGERATION COMPARTMENT - COMMON COMPONENTS

#	PART #	DESCRIPTION	QTY	Note
1		Compressor		
1a	000008740	Compressor - Emerson - 115V/60 Hz/1 Ph		
1b	000008741	Compressor - Emerson - 208-230V/60 Hz/1 Ph		
1c	000008742	Compressor - Emerson - 230V/50 Hz/1 Ph		
1d	000008997	Overload - 115V/60 Hz		
1e	000008998	Overload - 230V/50-60 Hz		
2		Water Dump Valve		[1]
2a	000001767	Water Dump Valve - 115V/60 Hz		
2b	000001768	Water Dump Valve - 208-230V/50-60 Hz		
2c	6058459	Water Dump Valve Mounting Bracket		
2d	4420383	Clear Tubing - 0.625" ID		
3		Harvest Valve		
3a	000007029	Harvest Valve Including 115V/60 Hz Electrical Coil		
3b	000005156	Danfoss Solenoid Valve Coil Only - 115V/60 Hz		[2]
3c	000007028	Harvest Valve Including 208-230V / 50-60 Hz Electrical Coil		
3d	000005157	Danfoss Solenoid Valve Coil Only - 230V/50-60 Hz		[3]
4		Water Inlet Valve		
4a	000007965	Water Inlet Valve - 115V/60 Hz/1 Ph		
4b	000007966	Water Inlet Valve - 208-230V/50-60 Hz		
4c	000007594	Water Inlet Valve Bracket		
5	7602903	Expansion Valve		
5a	4000363	Valve Insulation Boot - Body		
5b	4007203	Valve Insulation Boot - Bulb		[4]
6	000008310	Thermistor with Spring Clips		
7	8930259	Drier		
8	000007888	Magnetic Bin Switch		
8a	000007410	Bin Switch Wiring Harness		
9	K00424	LuminIce		
9a	K00425	LuminIce Bulb		
9b	000007409	LuminIce Wiring Harness		
9c	000007990	Bulkhead Fitting 2.25"		
9d	000008269	Bulkhead Fitting 2.75"		
10	000003405	Insulated Tube		[5]
10a	5650603	Snap Clamp - 1.0" ID		
10b	5650703	Snap Clamp - 0.799"/0.899" ID		
11	000001382	Vinyl Tubing 0.625" ID		[6]
11a	6038831	Insulation 0.88 ID X 0.25W X 13.50L		
11b	5650709	Snap Clamp - 0.799"/0.899" ID		
12	8706093	Female Wing Adapter - 0.375"		
12a	1360961	Male Connector		
13	4010439	Tubing - Water Inlet Valve		[7]
14	1360989	Connector - Water Inlet Valve		

i0450P Indigo

I0450P REFRIGERATION COMPARTMENT - COMMON COMPONENTS

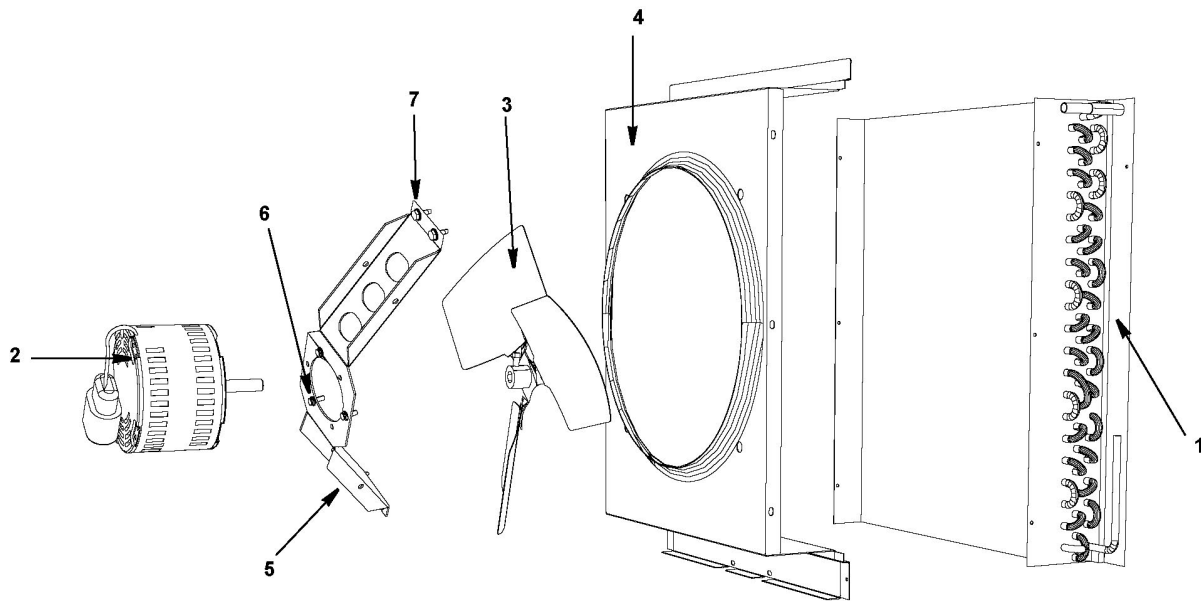
#	PART #	DESCRIPTION	QTY	Note
15	8706133	Female Wing Adapter - 0.50"		
16		Compressor Mounting		
16a	6061709	Compressor Mounting Base		
16b	8503069	Mounting - Rubber Grommet		
16c	8503949	Mounting - Sleeve		
16d	5004819	Compressor Mounting - Bolt		
16e	5004829	Compressor Mounting - Nut		
17	5650529	Clamp - Expansion Valve Bulb		
18	3000503	Strap - Expansion Valve Bulb - 0.5"		
19	5202069	Screw - #10-24 x 0.50" HEX		

PART NOTES:

- [1] - (with bracket)
- [2] - \pages from 000005156_02.jpg" width=280 height=256>
- [3] - \pages from 000005156_02.jpg" width=266 height=183>
- [4] - \pages from 400720_08.jpg" width=923 height=583>
- [5] - (vinyl tubing from distribution tube to water pump & dump valve)
- [6] - (dump valve to drain adapter)
- [7] - \pages from 401043_05.jpg" width=1797 height=2238>

i0450P Indigo

I0450P REFRIGERATION COMPARTMENT – AIR-COOLED



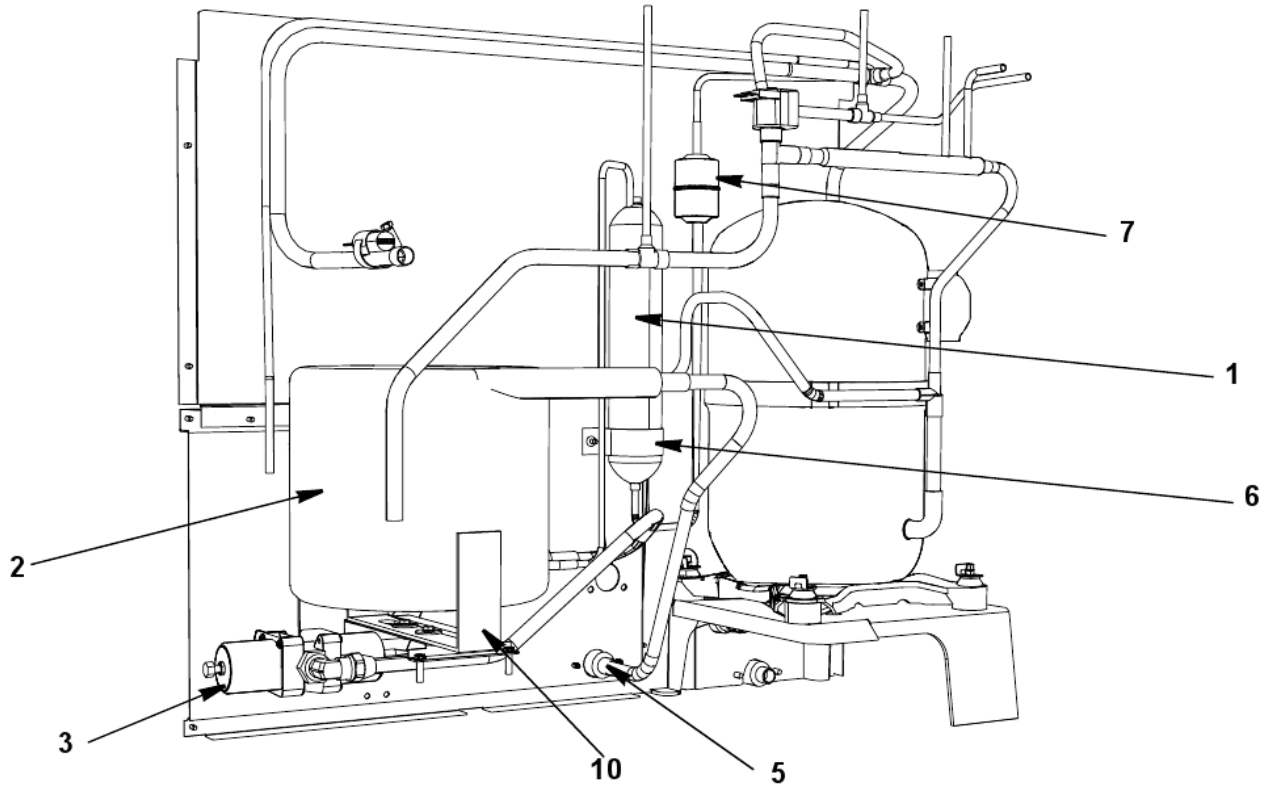
i0450P Indigo

I0450P REFRIGERATION COMPARTMENT – AIR-COOLED

#	PART #	DESCRIPTION	QTY	Note
1	8252129	Air Condenser		
2		Fan Motor		
2a	2412929	Fan Motor 115V/60 Hz/1 Ph		
2b	2412939	Fan Motor 208-230V/50-60 Hz		
3	2416203	Fan Blade		
4	6061689	Fan Shroud		
5	6061869	Fan Motor Bracket		
6	5033589	Mounting - Screw		
6a	5545109	Lockwasher		
6b	5429529	Mounting - Hexnut		
7		Fan Bracket Mounting		
7a	5032389	Fan Bracket Mounting Screw		
7b	5545109	Lockwasher		
7c	5573059	Mounting - Flatwasher		
7d	5429559	Mounting - Rubber Wellnut		
8	5202069	Screw - #10-24 x 0.50" HEX		

i0450P Indigo

I0450P REFRIGERATION COMPARTMENT – WATER-COOLED



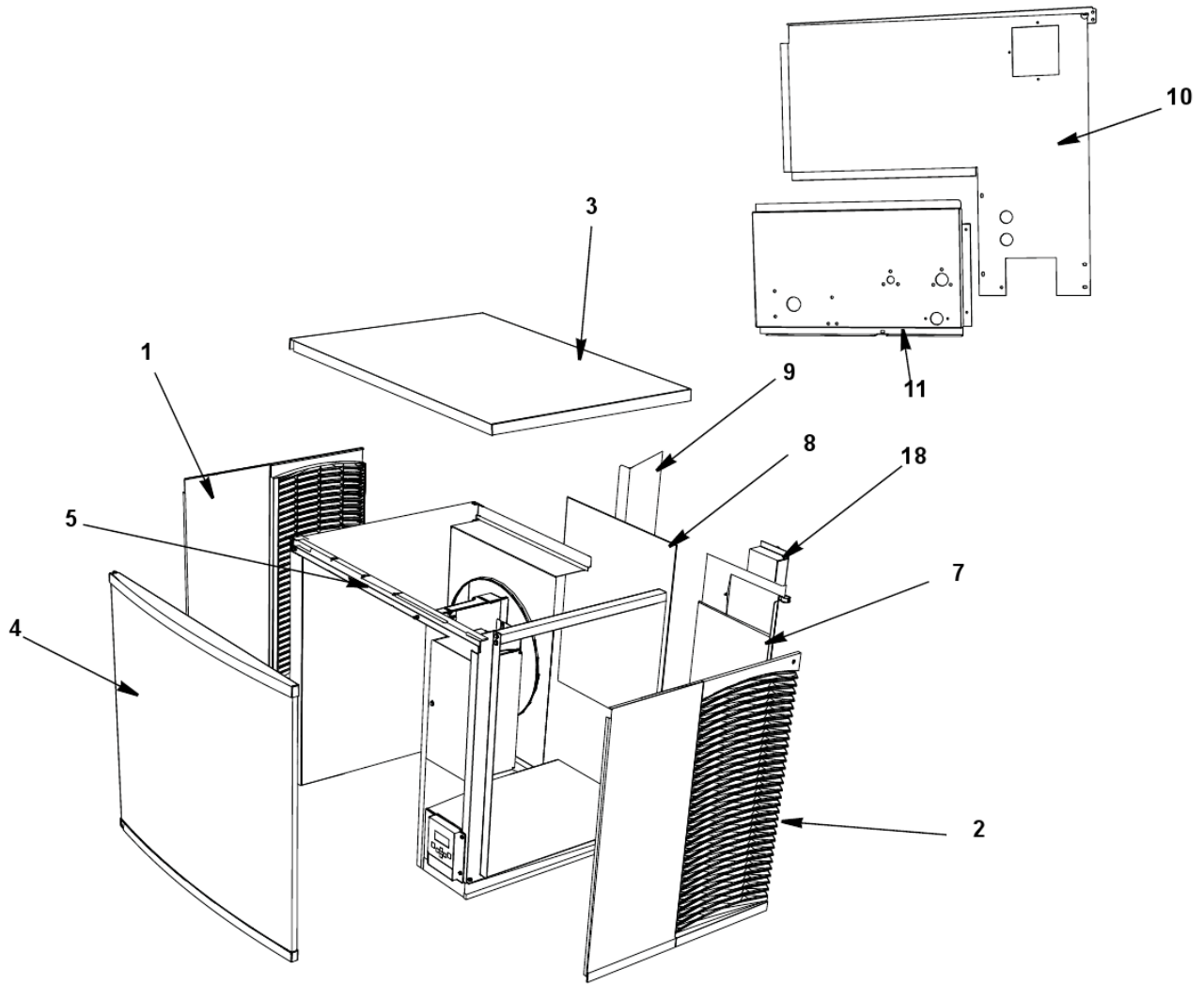
i0450P Indigo

I0450P REFRIGERATION COMPARTMENT – WATER-COOLED

#	PART #	DESCRIPTION	QTY	Note
1	000008892	Receiver		
2	000000046	Water-cooled Condenser		
3	000007546	Water Regulating Valve		
3a	000007695	Bracket - Water Regulating Valve		
4	000007553	High Pressure Water Regulating Valve		
4a	000008482	Panel - High Pressure Regulating Valve		
5	8706083	Female Wing Adapter - 0.50"		
6	6000541	Receiver Strap		
7	5002159	Elbow 3/8 MF x 3/8 MPT		
8	5202069	Screw - #10-24 x 0.50" HEX		
9	5573419	Washer		
10	6058659	Base, Water Condenser/Receiver		

i0450P Indigo

I0450P PANELS



i0450P Indigo

I0450P PANELS

#	PART #	DESCRIPTION	QTY	Note
1		Left Side Panel		
1a	6066691	Louvered Side Panel		
1b	6066751	Non-Louvered Side Panel - Left		
2		Right Side Panel		
2a	6066701	Louvered Side Panel		
2b	6066761	Non-Louvered Side Panel - Right		
3	6068781	Top Cover		
4	000008777	Front Panel Assembly		
5	6068721	Front Top Support		
5a	5005379	Mounting Screw - #8-32 x 1" PHIL		
5b	5005099	Mounting Screw - #10-16 x 0.625" PHIL		
6	6061709	Compressor Mounting Base Air-cooled Back Panels		
7	6062039	Back Panel with Electrical Connection Box, Air-cooled Models		
8	3005939	Air Filter		
9	000007314	Air Baffle Assembly Water-cooled & Remote Air-cooled Back Panels		
10	000006577	Front Panel Assembly		
11	6061739	Back Coupling Panel - Water-cooled and Remote Air-cooled		
12	8706083	Female Wing Adapter - 0.50"		
13	7602263	Bottom Door Frame		
13a	5005379	Mounting Screw - #8-32 x 1" PHIL		
13b	5202099	Screw - #10-24 x 0.50" PHIL		
14	6068649	Left Top Channel		
15	6062579	Right Top Channel		
16	6061909	Left Corner Post		
17		Right Corner Post - See Note for Serial Break		
17a	6062929	Right Corner Post		[1]
17b	000010680	Right Corner Post		[2]
18		Electrical Box on Rear of Ice Machine		
18a		Box with Cover		[3]
18b	2006143	Terminal Block - 50 Hz - 3 Pole		
18c	5202169	Screw - #10-24 x 0.50" Ground		
19	5005353	Front Panel Screw		
20	5005343	Screws - #12-16 x 0.50" TORX		
21	5800053	Screwdriver Bit Front Panel - #4-40 TX-15-H		
22	5800043	Screwdriver Bit Side Panels - #4-40 TX-25-H		
23	7112239	Cartoning		

PART NOTES:

- [1] - Before Serial Number 1101223883
- [2] - After Serial Number 1101223883
- [3] - Included in Back Panel Assembly