



Manitowoc
Foodservice
Parts Manual

For more Parts Information:

<https://manitowocfsg.sysonline.com/Default.aspx>

TABLE OF CONTENTS

Manitowoc Foodservice [Updated: Sep. 30, 2013]

Manitowoc - Ice & Related

Parts Catalog

Ice Machine

Indigo Series

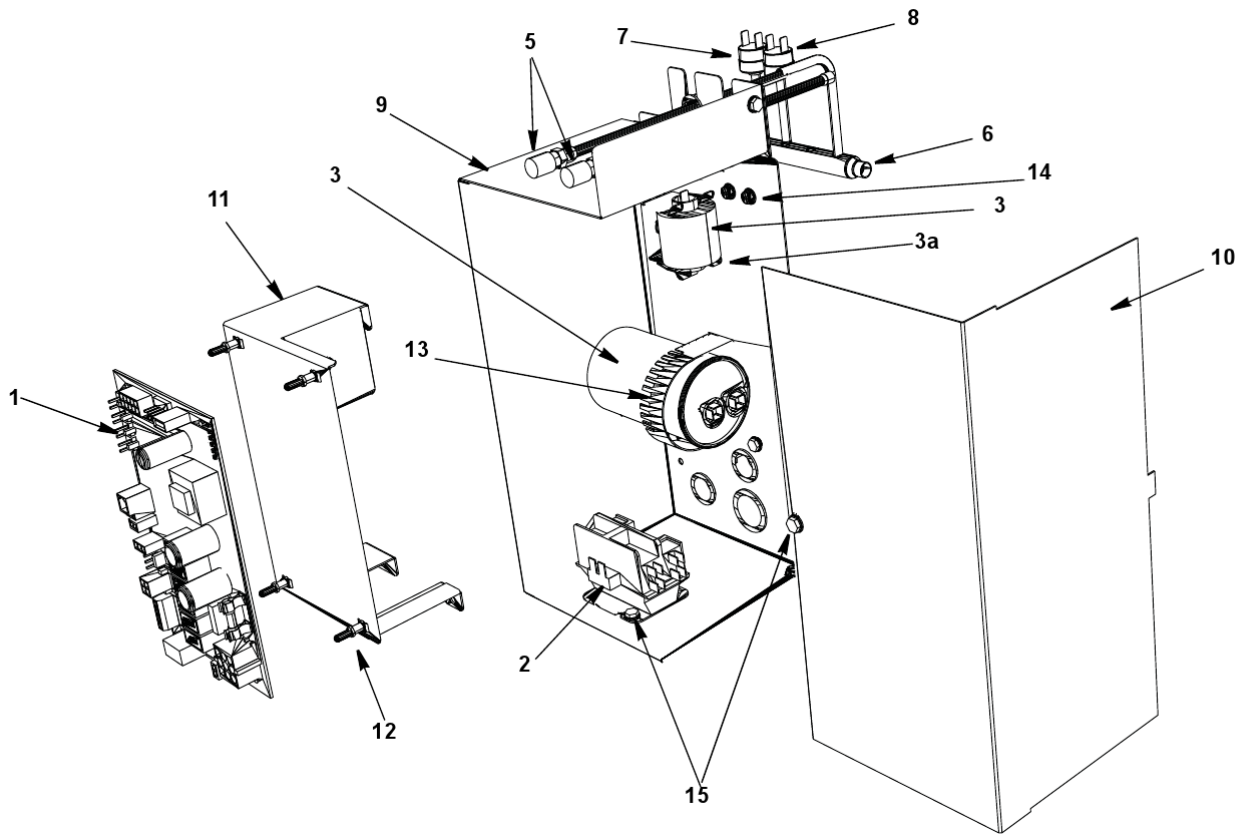
Indigo Model - Prison

i0600P, JC0895 Indigo

i0600P Control Box.....	1
i0600P Evaporator Compartment - Common Components.....	3
i0600P Refrigeration Compartment - Common Components.....	6
i0600P Refrigeration Compartment – Air-cooled.....	9
i0600P Refrigeration Compartment – Water-cooled.....	11
i0600P Refrigeration Compartment - Remote.....	13
i0600P Panels.....	15
JC0895 Remote Condenser.....	18

i0600P, JC0895 Indigo

I0600P CONTROL BOX



i0600P, JC0895 Indigo

I0600P CONTROL BOX

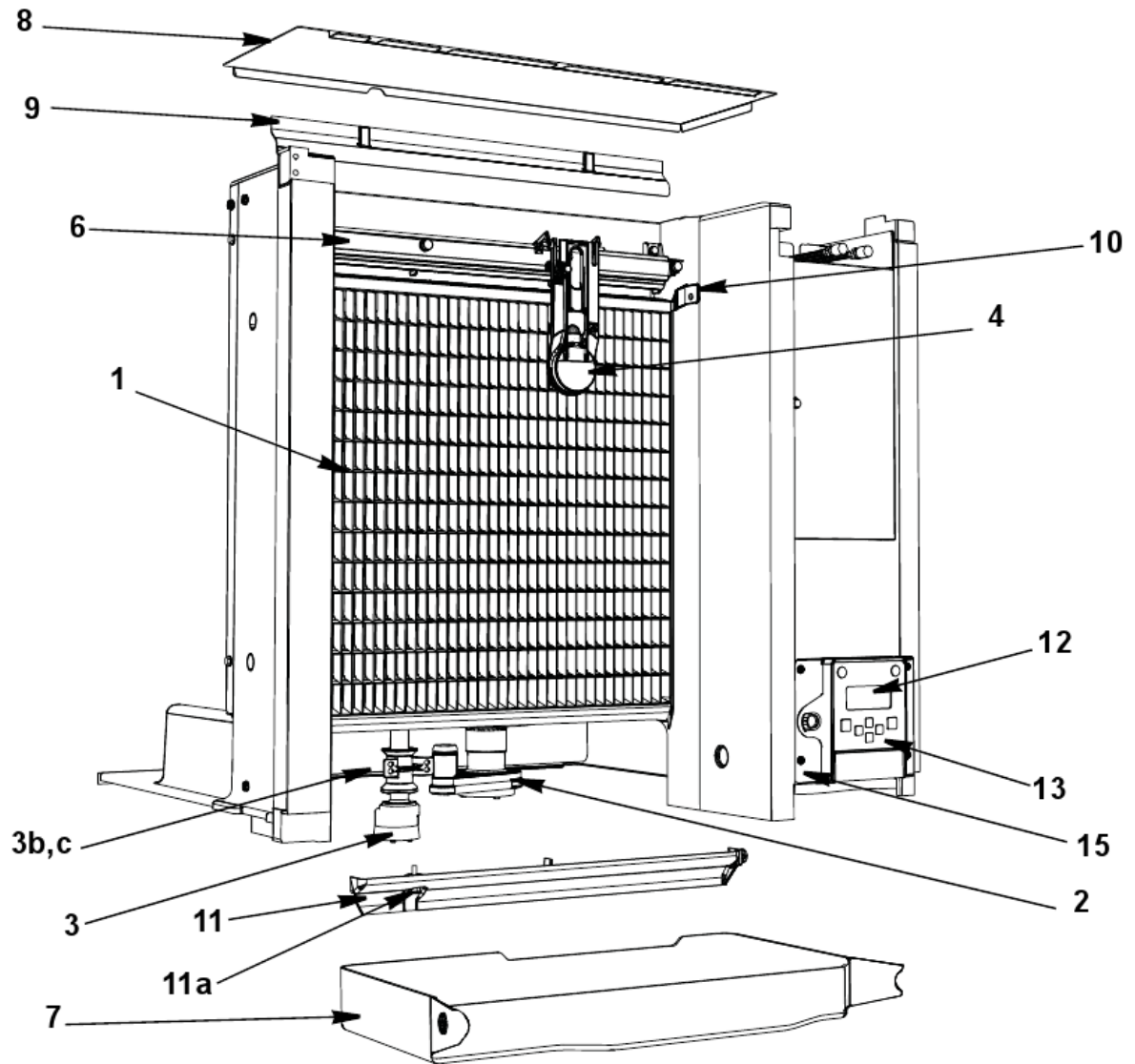
#	PART #	DESCRIPTION	QTY	Note
1	000008309	Control Board		
1a	000009181	8 amp Ceramic Fuse - Mounted on Control Board		
2		Contactors		
2a	2006599	Contactors - 230V/50-60 Hz/1 Ph		
3	8504993	PTCR Compressor Starter		
3a	8505013	PTCR Compressor Starter Mounting Bracket		
4		Compressor Run Capacitor Copeland Compressor		
4a	8503933	Run Capacitor - 115-230V/50-60 Hz/1 Ph Bristol Compressor		
4b	2010133	Run Capacitor - 115-230V/50-60 Hz/1 Ph		
5	8373263	Refrigeration Service Valve Assembly		
6	8251049	Manifold Strainer		
6a	6058571	Bracket		
7	2001243	High Pressure Cut-out Control		
8	2001263	Fan Cycling Control - 200-250 psig		[1]
9	000008279	Control Box		
10	000010421	Control Box Cover		
11	000007564	Control Board Mounting Bracket		
12	4302253	Control Board Mounting Supports		
13	6024953	Capacitor Mounting Strap		
14	5202169	Screw - #10-24 x 0.50" Ground		
14a	5573209	Star Washer		
15	5202069	Screw - #10-24 x 0.50" HEX		
16	5573209	Star Washer		
17		Control Box Bushings		
17a	2500019	Bushing - 1.187"		
17b	2501409	Bushing - 0.875"		
18		Control Box Wiring Harness		
18a	000007179	Control Box Wiring Harness - 230V/60 Hz/1 Ph		
18b	000007180	Control Box Wiring Harness - 230V/50 Hz/1 Ph		
19		Compressor Compartment Wiring Harness Copeland Compressor		
19a	000007185	Wiring Harness - Compressor Compartment - Air-cooled		
19b	000007177	Wiring Harness - Compressor Compartment - Water-cooled		
19c	000007184	Wiring Harness - Compressor Compartment - Remote Air-cooled Bristol Compressor		
19d	000007178	Compressor Compartment Wiring Harness - Air-cooled		
19e	000007176	Compressor Compartment Wiring Harness - Water-cooled		
19f	000007175	Compressor Compartment Wiring Harness - Remote Air-cooled		

PART NOTES:

[1] - \pages from 200126_09.jpg" width=150 height=306>

i0600P, JC0895 Indigo

I0600P EVAPORATOR COMPARTMENT - COMMON COMPONENTS



i0600P, JC0895 Indigo

I0600P EVAPORATOR COMPARTMENT - COMMON COMPONENTS

#	PART #	DESCRIPTION	QTY	Note
1		Evaporator Assembly Before Serial Number 1101107864		
1a	7602839	Evaporator - Dice Cube		[1]
1b	7602849	Evaporator - Half Dice Cube After Serial Number 1101107864		[1]
1c	000006859	Evaporator - Dice Cube		[2]
1d	000006858	Evaporator - Half Dice Cube		[2]
2		Water Pump		
2a	2007399	Water Pump - 230V/60 Hz		
2b	8252109	Water Pump - 230V/50-60 Hz		[3]
3	000007052	Water Level Probe		
3a	000007099	Wire - Control Box to Probe		
3b	000007053	Water Level Probe - Holder		
3c	5202099	Screw - #10-24 x 0.50" PHIL		[4]
4	000008660	Ice Thickness Control Probe		
5	4010979	Water Curtain		
6	7602193	Water Distribution Tube - 30" Models		
6a	5004649	O-Rings		[5]
7	4003609	Water Trough		[6]
8	000009055	Foodzone Seal Panel		
9	4008469	Evaporator Top Filler Panel		
9a	6063339	Bracket - Top Filler Panel		
9b	5202099	Screw - #10-24 x 0.50" PHIL		
10	7602203	Evaporator Top Frame Assembly		
11	7602213	Water Diverter - 30" Models		
11a	5305123	Thumbscrew SS - #8-32 x 0.44"		
12	000006728	LCD Display		
13	000007974	Touch Pad with Housing		
14	000007737	LCD Wiring Harness - 30" Long		
15	000007746	Touch Pad/Housing Mounting Bracket		
16	000006700	Ice Deflector		
17	5004799	Thumbscrew SS - #8-32 x 0.375"		[7]
17a	5004629	O-Ring - 0.125" ID		
18	5004619	Screw - #12-16 x 0.687"		
19	5004659	Water Pump Base O-Ring - 4.00" ID		
20	5004679	Water Pump Outlet O-Ring - 0.875" ID		

PART NOTES:

- [1] - Before Serial Number 1101107864
- [2] - After Serial Number 1101107864
- [3] - 50 Hz
- [4] - Mount Water Level Probe Holder
- [5] - Back of Distribution Assembly

i0600P, JC0895 Indigo

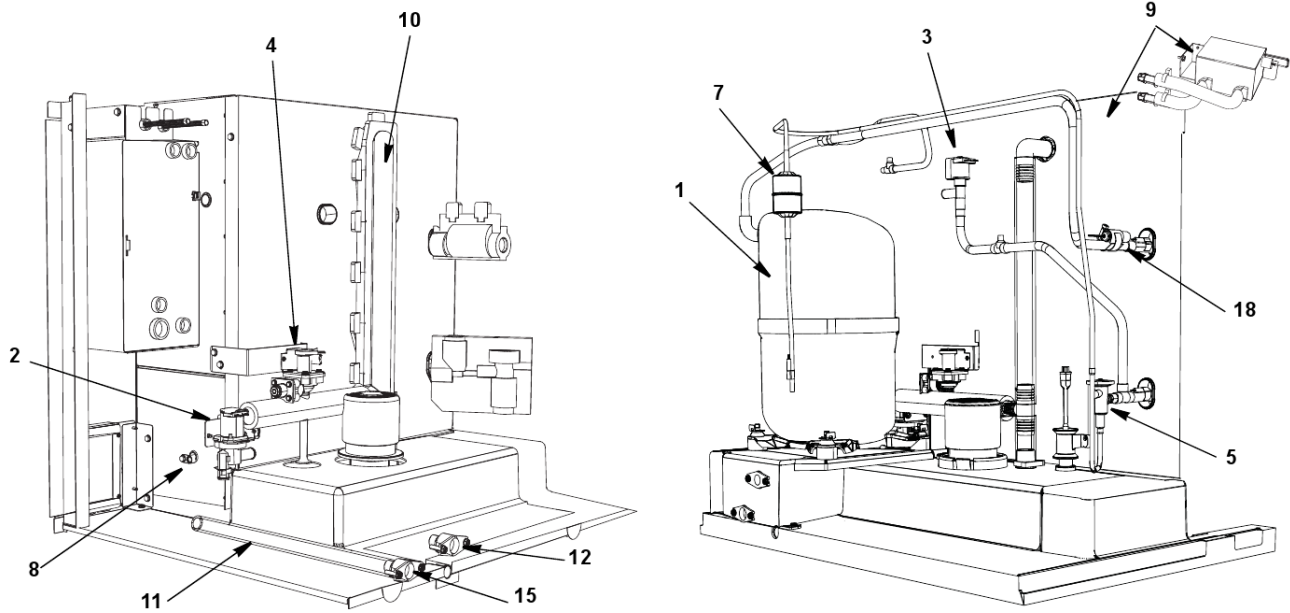
I0600P EVAPORATOR COMPARTMENT - COMMON COMPONENTS

#	PART #	DESCRIPTION	QTY	Note
---	--------	-------------	-----	------

PART NOTES:

- [6] - \water trough.jpg" width=313 height=169>
- [7] - Water Distribution Tube Mounting Each

I0600P REFRIGERATION COMPARTMENT - COMMON COMPONENTS



i0600P, JC0895 Indigo

I0600P REFRIGERATION COMPARTMENT - COMMON COMPONENTS

#	PART #	DESCRIPTION	QTY	Note
		NOTE: Copeland compressors are no longer available, order a bristol compressor AND the corresponding conversion kit.		
1		Bristol Compressor		
1a	000009307	Bristol Compressor - 208-230V/60 Hz/1 Ph		
1b	000009959	Bristol Compressor - 230V/50 Hz/1 Ph		
1c	000009957	Bristol Compressor - 230V/60 Hz/ 3 Ph		
1d	000005176	Compressor Molded Plug Wiring Harness		
		Conversion Kit to Replace Copeland Compressor with Bristol Compressor		
1e	000009960	Air/Water Models Kit		
1f	000009958	Remote Models Kit		
2		Water Dump Valve		[1]
2a	000001768	Water Dump Valve - 208-230V/50-60 Hz		
2b	6058459	Water Dump Valve Mounting Bracket		
2c	4420383	Clear Tubing - 0.625" ID		
3		Harvest Valve		
3a	000007019	Solenoid Valve with Electrical Coil - 208-230V/50-60 Hz		
3b	000005157	Danfoss Solenoid Valve Coil Only - 230V/50-60 Hz		[2]
4		Water Inlet Valve		
4a	000007966	Water Inlet Valve - 208-230V/50-60 Hz		
4b	000007594	Water Inlet Valve Bracket		
5		Expansion Valve		
5a	7601583	Expansion Valve		
5b	7600193	Expansion Valve		
5c	4000363	Valve Insulation Boot - Body		
5d	4007203	Valve Insulation Boot - Bulb		[3]
6	000008310	Thermistor with Spring Clips		
7		Drier		
7a	8930259	Drier		
7b	8930279	Drier		
8	000007888	Magnetic Bin Switch		
8a	000007410	Bin Switch Wiring Harness		
9	K00424	LuminIce		
9a	K00425	LuminIce Bulb		
9b	000007409	LuminIce Wiring Harness		
9c	000007990	Bulkhead Fitting 2.25"		
9d	000008269	Bulkhead Fitting 2.75"		
10	000003405	Insulated Tube		[4]
10a	5650603	Snap Clamp - 1.0" ID		
10b	5650703	Snap Clamp - 0.799"/0.899" ID		
11	000001382	Vinyl Tubing 0.625" ID		[5]
11a	6038831	Insulation 0.88 ID X 0.25W X 13.50L		
11b	5650709	Snap Clamp - 0.799"/0.899" ID		
12	8706093	Female Wing Adapter - 0.375"		

i0600P, JC0895 Indigo

I0600P REFRIGERATION COMPARTMENT - COMMON COMPONENTS

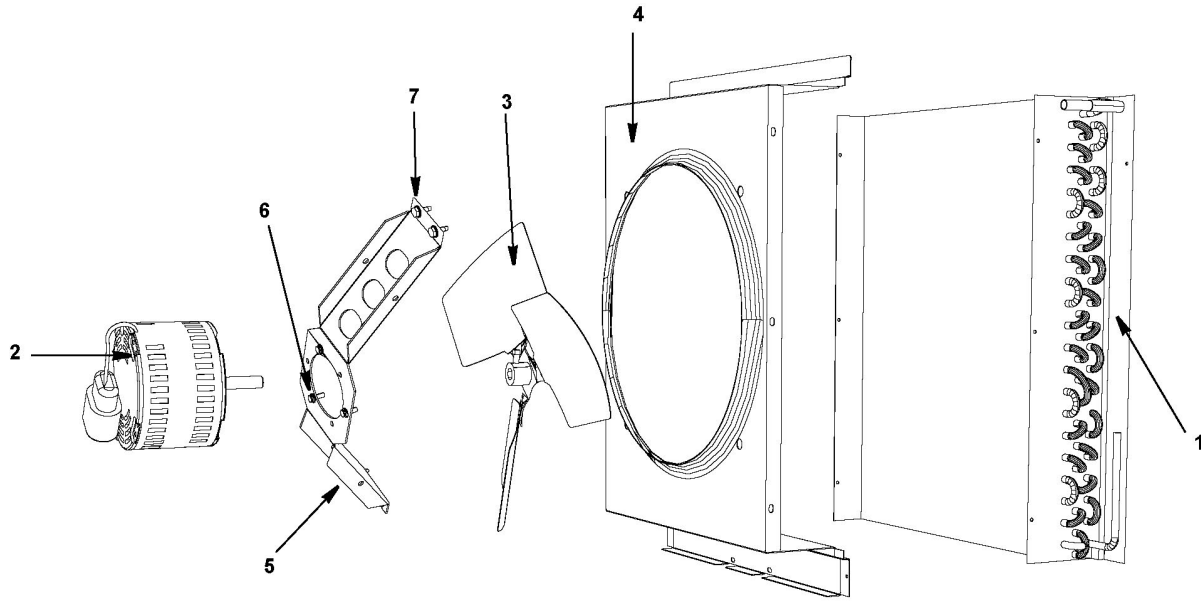
#	PART #	DESCRIPTION	QTY	Note
12a	1360961	Male Connector		
13	4010439	Tubing - Water Inlet Valve		[6]
14	1360989	Connector - Water Inlet Valve		
15	8706133	Female Wing Adapter - 0.50"		
16		Compressor Mounting		
16a	6061709	Compressor Mounting Base		
16b	8503069	Mounting - Rubber Grommet		
16c	8503949	Mounting - Sleeve		
16d	5004819	Compressor Mounting - Bolt		
16e	5004829	Compressor Mounting - Nut		
17	5650529	Clamp - Expansion Valve Bulb		
18	3000503	Strap - Expansion Valve Bulb - 0.5"		
19	5202069	Screw - #10-24 x 0.50" HEX		

PART NOTES:

- [1] - with bracket
- [2] - \pages from 000005156_02.jpg" width=266 height=183>
- [3] - \pages from 400720_08.jpg" width=923 height=583>
- [4] - vinyl tubing from distribution tube to water pump & dump valve
- [5] - dump valve to drain adapter
- [6] - \pages from 401043_05.jpg" width=1797 height=2238>

i0600P, JC0895 Indigo

I0600P REFRIGERATION COMPARTMENT – AIR-COOLED

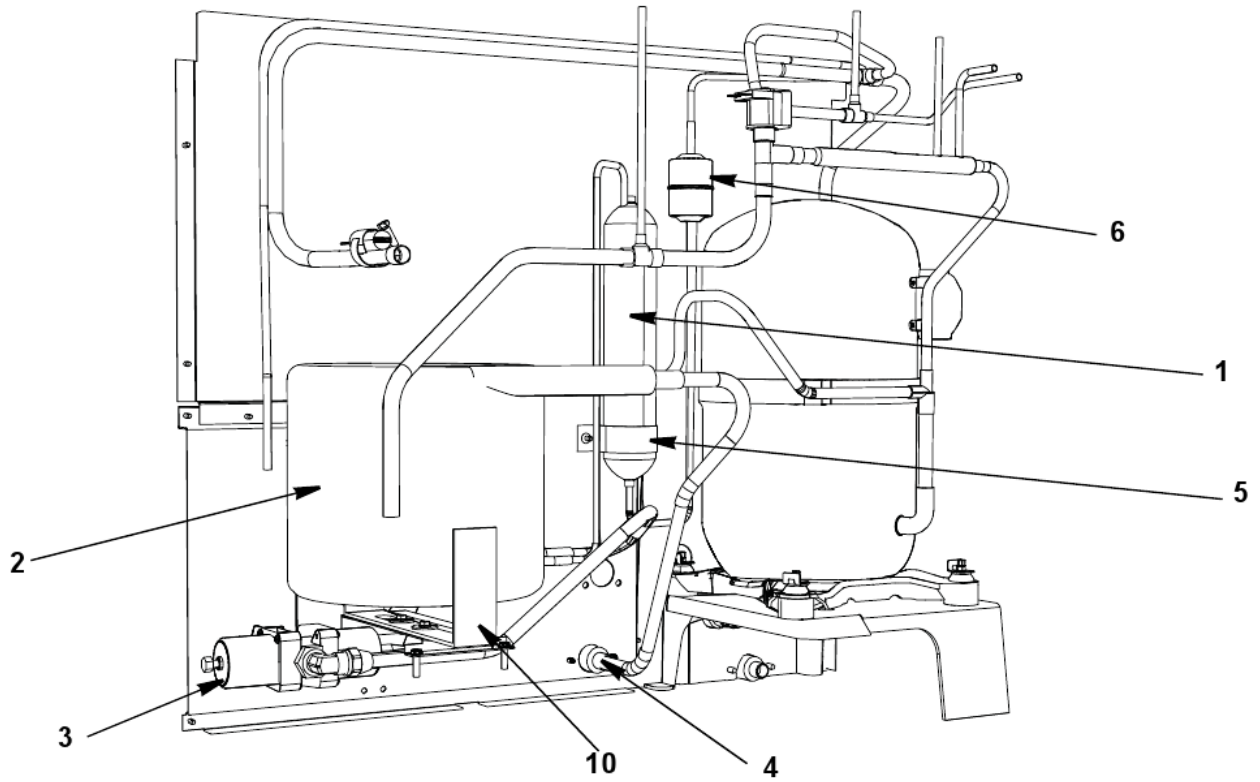


i0600P, JC0895 Indigo

I0600P REFRIGERATION COMPARTMENT – AIR-COOLED

#	PART #	DESCRIPTION	QTY	Note
1	8252949	Air Condenser		
2		Fan Motor		
2a	2412939	Fan Motor 208-230V/50-60 Hz		
3	2416173	Fan Blade		
4	000002485	Fan Shroud		
5	6061869	Fan Motor Bracket		
6	5033589	Mounting - Screw		
6a	5545109	Lockwasher		
6b	5429529	Mounting - Hexnut		
7		Fan Bracket Mounting		
7a	5032389	Fan Bracket Mounting Screw		
7b	5545109	Lockwasher		
7c	5573059	Mounting - Flatwasher		
7d	5429559	Mounting - Rubber Wellnut		
8	5202069	Screw - #10-24 x 0.50" HEX		

I0600P REFRIGERATION COMPARTMENT – WATER-COOLED



i0600P, JC0895 Indigo

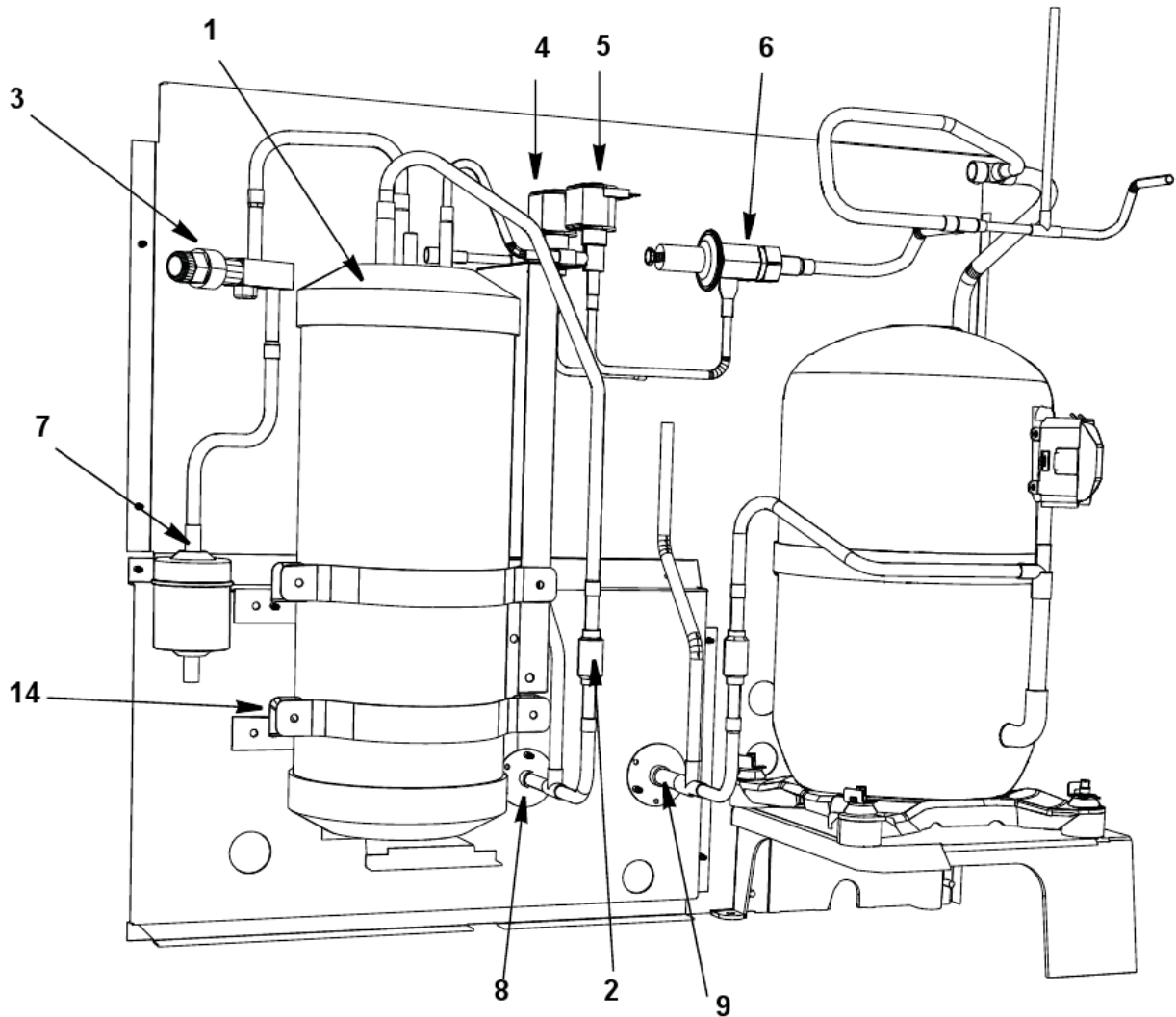
I0600P REFRIGERATION COMPARTMENT – WATER-COOLED

#	PART #	DESCRIPTION	QTY	Note
1	000008892	Receiver		
2	8253039	Water-cooled Condenser		
3		Water Regulating Valve - See Note for Serial Break		
3a	8372069	Water Regulating Valve		[1]
3b	000007546	Water Regulating Valve		[2]
3c	000007695	Bracket - Water Regulating Valve		
4	8706083	Female Wing Adapter - 0.50"		
5	6000541	Receiver Strap		
6	5002159	Elbow 3/8 MF x 3/8 MPT		[3]
7	5002249	Elbow 1/2 MF x 3/8 MPT		[4]
8	5202063	Screw - #10-24 x 0.50" HEX		
9	5573419	Washer		
10	6058659	Base, Water Condenser/Receiver		

PART NOTES:

- [1] - Before Serial Number 1101107864
- [2] - After Serial Number 1101107864
- [3] - Copeland Compressor
- [4] - Bristol Compressor

I0600P REFRIGERATION COMPARTMENT - REMOTE



i0600P, JC0895 Indigo

I0600P REFRIGERATION COMPARTMENT - REMOTE

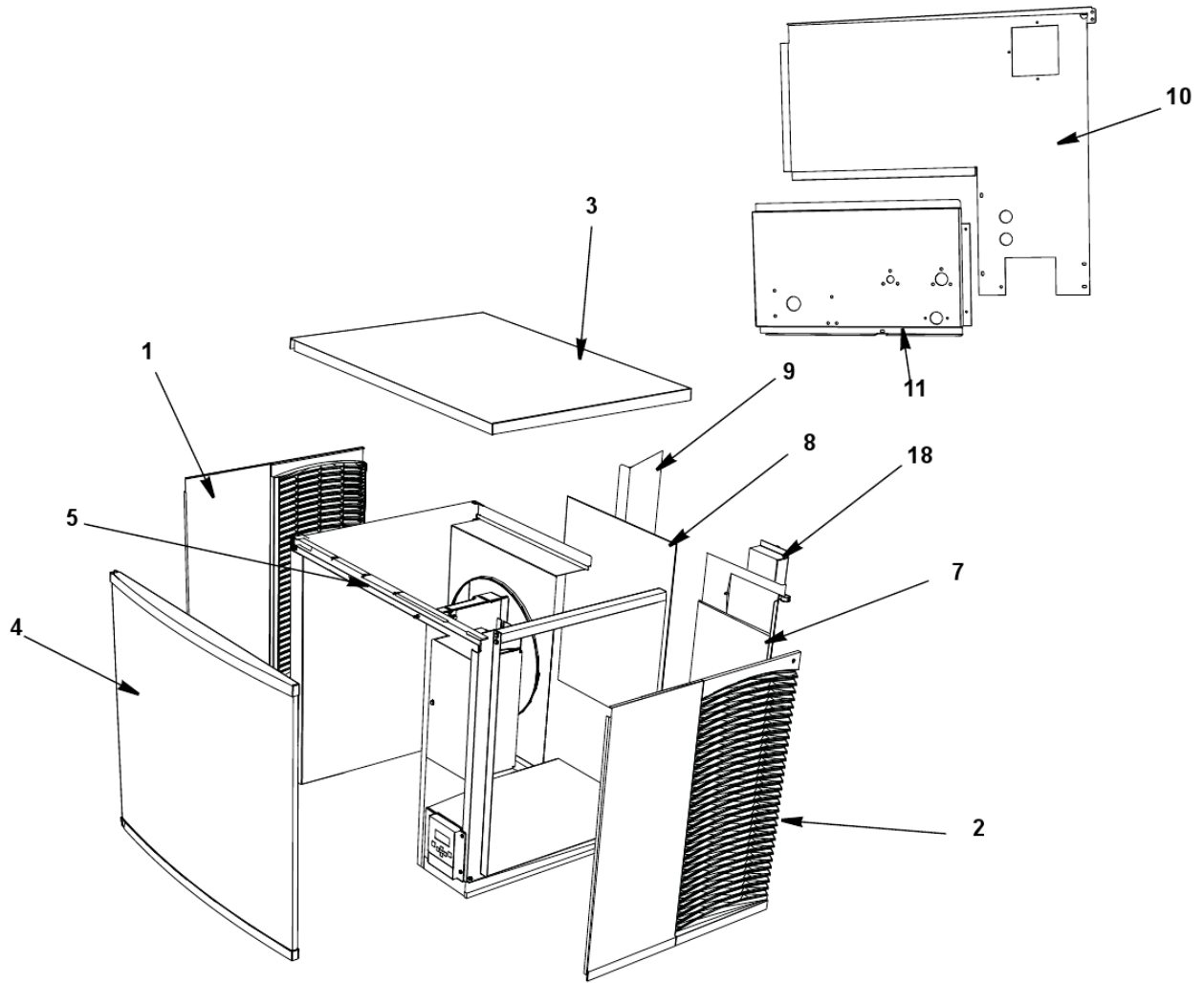
#	PART #	DESCRIPTION	QTY	Note
1	8250583	Receiver		
2	8373149	Magni-Check Valve - 0.375"		
3	8373169	Receiver Service Valve		
3a	5650759	Cap for Refrigeration Service Valve		
4		Harvest Pressure Regulating Solenoid (HPR) Valve		
4a	000007034	Solenoid Valve Including 208-230V/50-60 Hz Electrical Coil		
4b	000005157	Danfoss Solenoid Valve Coil Only - 230V/50-60 Hz		[1]
5		Liquid Line Solenoid (LLS) Valve		
5a	000007032	Solenoid Valve Including - 208-230V/50-60 Hz Electrical Coil		
5b	000005157	Danfoss Solenoid Valve Coil Only - 230V/50-60 Hz		[1]
6	8367793	Harvest Pressure Regulating Valve		
7	8930279	Drier		
8	8360343	Coupling - Male - 5/8-18		
9	8360353	Coupling - Male - 1-1/6-12		
10	5000673	Coupling Male Reducing 3/8" x 1/4"		[2]
11	8360053	Coupling Mounting Flange for 5/8-18		
12	8360063	Coupling Mounting Flange for 1-1/16-12		
13	5650619	Screw Mounting Base		
14		Receiver Mounting Before Serial Number 1101107864		
14a	6000561	Receiver Mounting Bracket		[3]
14b	6307214	Receiver Mounting Strap		
14c	000006721	Support Bracket		
14d	6058659	Base, Water Condenser/Receiver		
14e	5202069	Screw - #10-24 x 0.50" HEX After Serial Number 1101107864		
14f	6063141	Bracket		
14g	6063031	S Mount Brackets		
14h	000006655	Support Bracket		
14i	6063041	Base		
14j	5202069	Screw - #10-24 x 0.50" HEX		

PART NOTES:

- [1] - \pages from 000005156_02.jpg" width=266 height=183>
- [2] - (Bristol Compressor Only)
- [3] - (between receiver and panel)

i0600P, JC0895 Indigo

I0600P PANELS



i0600P, JC0895 Indigo

I0600P PANELS

#	PART #	DESCRIPTION	QTY	Note
1		Left Side Panel		
1a	6066691	Louvered Side Panel		
1b	6066751	Non-Louvered Side Panel - Left		
2		Right Side Panel		
2a	6066701	Louvered Side Panel		
2b	6066761	Non-Louvered Side Panel - Right		
3	6068781	Top Cover		
4	000008777	Front Panel Assembly		
5	6068721	Front Top Support		
5a	5005379	Mounting Screw - #8-32 x 1" PHIL		
5b	5005099	Mounting Screw - #10-16 x 0.625" PHIL		
6	6061709	Compressor Mounting Base		
		Air-cooled Back Panels		
7		Back Panel with Electrical Connection Box, Air-cooled Models		
7a	6065959	Back Panel with Electrical Connection Box, Air-cooled Models		
7b	000009146	Back Panel with Electrical Connection Box, Air-cooled Models		
8	3005939	Air Filter		
9	000007314	Air Baffle Assembly		
		Water-cooled & Remote Air-cooled Back Panels		
10	000006577	Front Panel Assembly		
11	6061739	Back Coupling Panel - Water-cooled and Remote Air-cooled		
12	8706083	Female Wing Adapter - 0.50"		
13	7602263	Bottom Door Frame		
13a	5005379	Mounting Screw - #8-32 x 1" PHIL		
13b	5202099	Screw - #10-24 x 0.50" PHIL		
14	6068649	Left Top Channel		
15	6062579	Right Top Channel		
16	6061909	Left Corner Post		
17	6062929	Right Corner Post		
18		Electrical Box on Rear of Ice Machine		
18a		Box with Cover		[1]
18b	5202169	Screw - #10-24 x 0.50" Ground		
19		Terminal Block		
19a	2006143	Terminal Block - 50 Hz - 3 Pole		[2]
19b	2006143	Terminal Block - 50 Hz - 3 Pole		[3]
19c	000007772	Terminal Block - 6 Pole		[4]
20	5005353	Front Panel Screw		
21	5005343	Screws - #12-16 x 0.50" TORX		
22	5800053	Screwdriver Bit Front Panel - #4-40 TX-15-H		
23	5800043	Screwdriver Bit Side Panels - #4-40 TX-25-H		
24	7112239	Cartoning		

i0600P, JC0895 Indigo

I0600P PANELS

#	PART #	DESCRIPTION	QTY	Note
---	--------	-------------	-----	------

PART NOTES:

- [1] - Included in Back Panel Assembly
- [2] - (Air/Water/Remote)
- [3] - (Air/Water)
- [4] - (Remote)

i0600P, JC0895 Indigo

JC0895 REMOTE CONDENSER

#	PART #	DESCRIPTION	QTY	Note
1	8850629	Air Condenser		
2	7629413	Fan Motor - 208-230V/50-60 Hz/1 Ph		[1]
3	8504583	Fan Motor Run Capacitor		[2]
4	2416113	Fan Blade		
5	3400643	Fan Guard		
6	2415053	Rain Slinger		
7	000004070	Head Pressure Control Valve		
8	000008040	Terminal Block - 3 Pole		
9	8360343	Coupling - Male - 5/8-18		
10	8360353	Coupling - Male - 1-1/6-12		
11	K0129	Female Line Set Coupling Kit		
12	8360053	Coupling Mounting Flange for 5/8-18		
13	8360063	Coupling Mounting Flange for 1-1/16-12		
14	6017751	Top Cover		
15	6017741	Panel - Side		
16	6017731	Panel - Rear		
17	6017721	Panel - Front		
18	6017681	Fan Motor Mounting Bracket		
19	6017761	Electrical Box Cover		
20	5035659	Fan Motor Mounting Screw		
20a	5573099	Mounting - Flatwasher		
20b	5573139	Mounting - Lockwasher		
20c	5429759	Mounting - Hexnut		
21	5033459	Screw - 1/4-20 x 0.625"		
21a	5573049	Flatwasher		
21b	5545119	Mounting - Lockwasher		
21c	5429529	Mounting - Hexnut		
22	5121539	Panel/Condenser Mounting Screw - #8 x 0.50"		
22a	5544599	Panel/Condenser Mounting Lockwasher		
23	5202069	Screw - #10-24 x 0.50" HEX		
24	7626843	Valve Cores		
25	6017691	Legs		
26	7108369	Cartoning		

PART NOTES:

- [1] - 208-230V / 50-60 Hz/1 Ph
- [2] - Emerson