



Manitowoc
Foodservice
Parts Manual

For more Parts Information:

<https://manitowocfsg.sysonline.com/Default.aspx>

TABLE OF CONTENTS

Manitowoc Foodservice [Updated: Sep. 30, 2013]

Manitowoc - Ice & Related

Parts Catalog

Ice Machine

Indigo Series

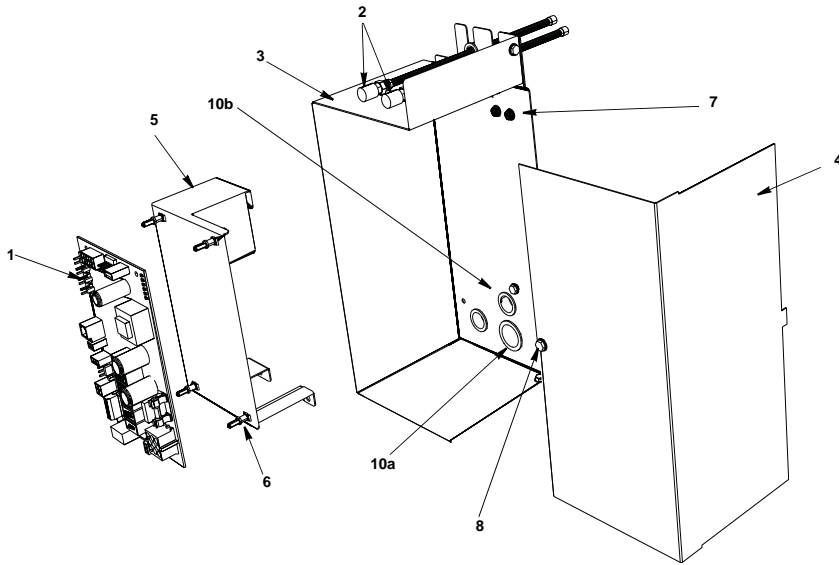
Indigo Model - QuietQube

i0680C, iCVD0695 Indigo

i0680C Head Section - Control Box Components	1
i0680C Evaporator Compartment - Common Components	3
i0680C Refrigeration Compartment - Common Components View 1	5
i0680C Refrigeration Compartment - Common Components View 2	7
i0680C Head Section - Panels	9
iCVD0695 Condensing Unit - Refrigeration Components	11

i0680C, iCVD0695 Indigo

I0680C HEAD SECTION - CONTROL BOX COMPONENTS



i0680C, iCVD0695 Indigo

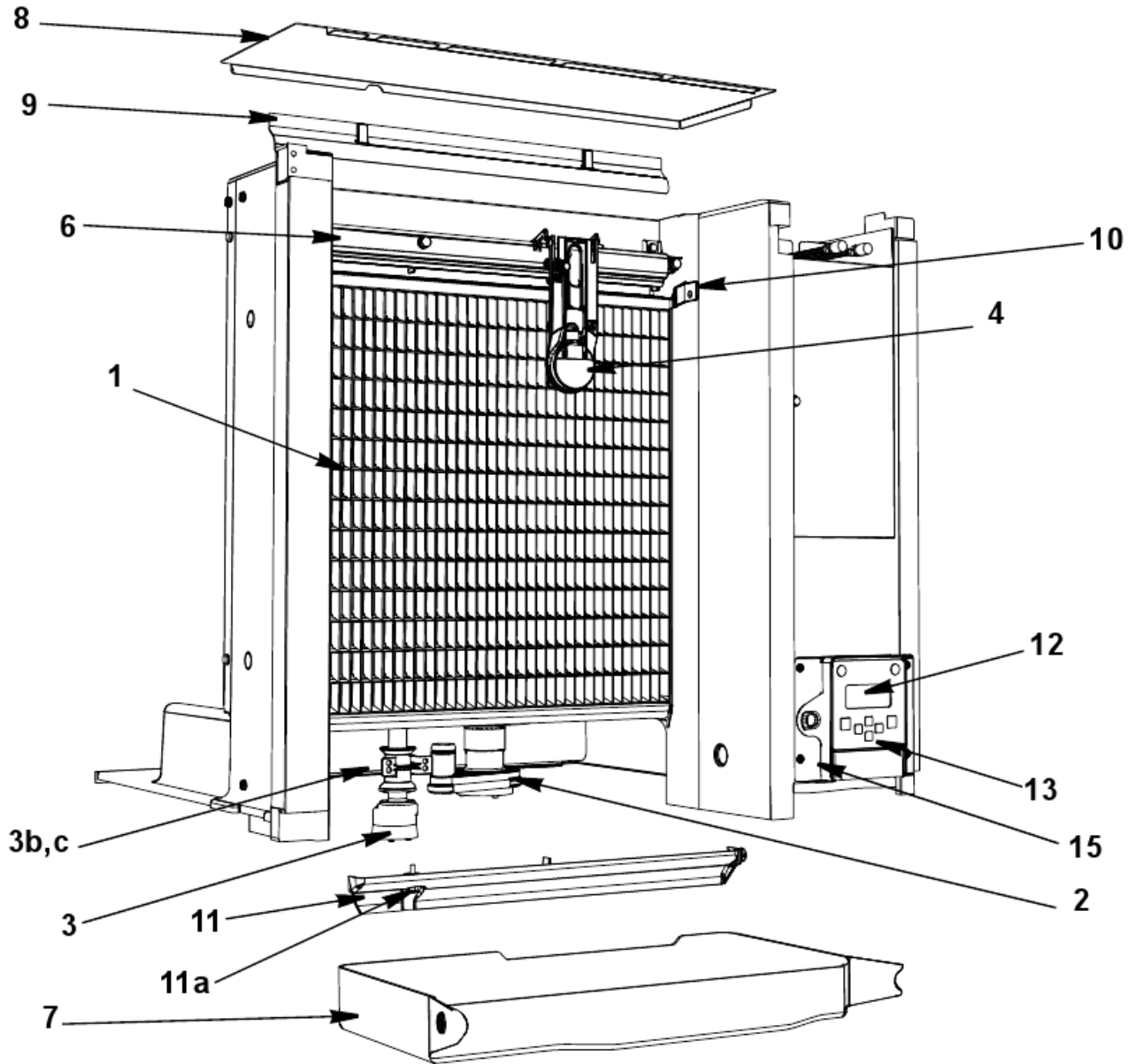
I0680C HEAD SECTION - CONTROL BOX COMPONENTS

#	PART #	DESCRIPTION	QTY	Note
1	000008309	Control Board		[1]
1a	000009181	8 amp Ceramic Fuse - Mounted on Control Board		
2	8373263	Refrigeration Service Valve Assembly		
3	000008279	Control Box		
4	000010421	Control Box Cover		
5	000007564	Control Board Mounting Bracket		
6	4302253	Control Board Mounting Supports		
7	5202169	Screw - #10-24 x 0.50" Ground		
7a	5573209	Star Washer		
8	5202069	Screw - #10-24 x 0.50" HEX		
9	5573209	Star Washer		
10		Control Box Bushings		
10a	2500019	Bushing - 1.187"		[2]
10b	2501409	Bushing - 0.875"		[3]
11		Control Box Wiring Harness		[4]
11a	000007182	Control Box Wiring Harness - 115V/60 Hz/1 Ph		
11b	000007183	Control Box Wiring Harness - 230V/50 Hz/1 Ph		
12		Refrigeration Compartment Wiring Harness		[4]
12a	000007187	Wiring Harness - Refrigeration Compartment - 230V/50 Hz/1 Ph		
12b	000007187	Wiring Harness - Refrigeration Compartment - 230V/50 Hz/1 Ph		

PART NOTES:

- [1] - (for use with all voltages)
- [2] - (1)
- [3] - (4)
- [4] - (Not shown)

I0680C EVAPORATOR COMPARTMENT - COMMON COMPONENTS



i0680C, iCVD0695 Indigo

I0680C EVAPORATOR COMPARTMENT - COMMON COMPONENTS

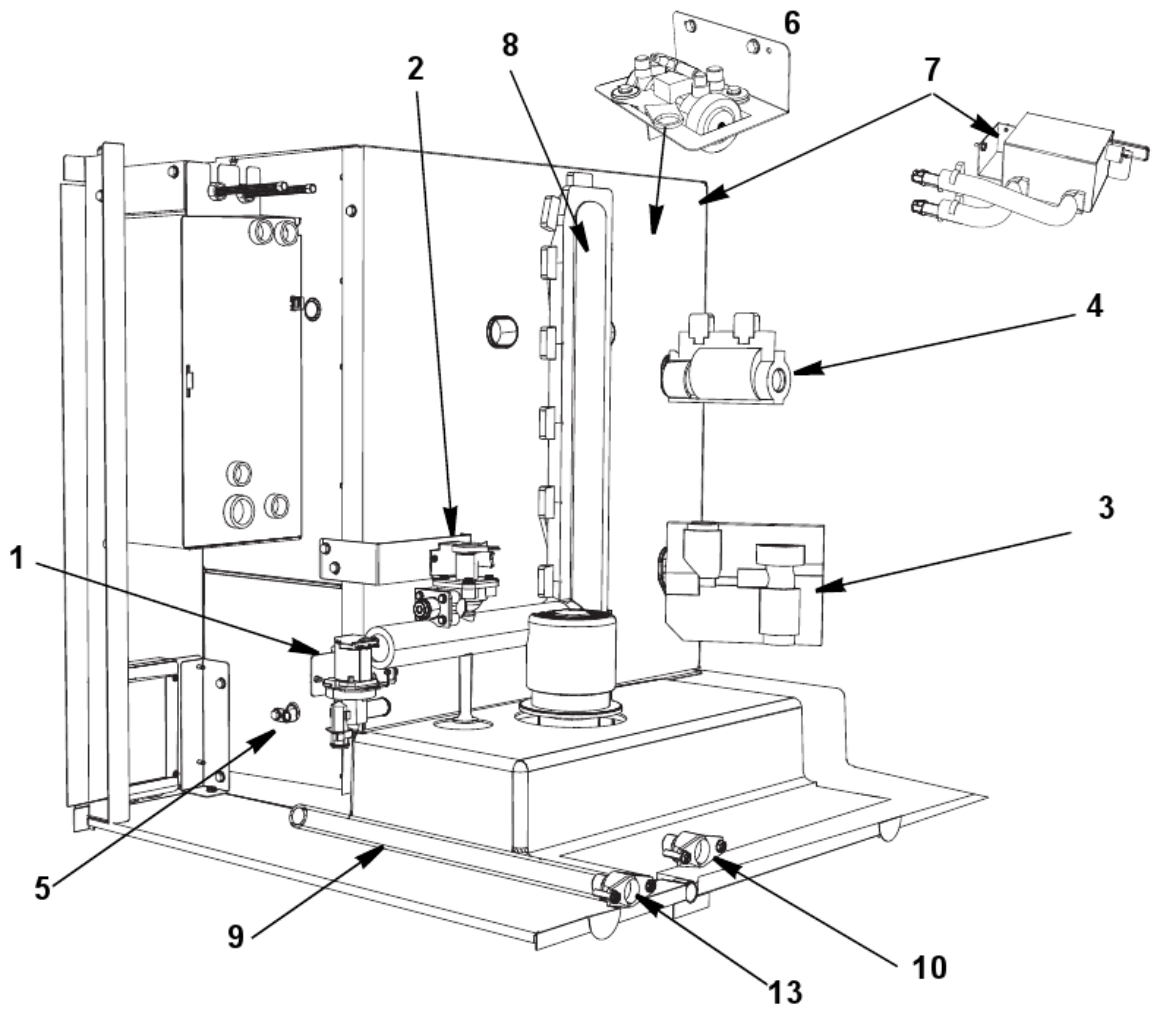
#	PART #	DESCRIPTION	QTY	Note
1		Evaporator Assembly		
1a	7602839	Evaporator - Dice Cube		
1b	7602849	Evaporator - Half Dice Cube		
2		Water Pump		
2a	8251129	Water Pump - 115V/60 Hz		
2b	8252109	Water Pump - 230V/50-60 Hz		
3	000007052	Water Level Probe		
3a	000007099	Wire - Control Box to Probe		
3b	000007053	Water Level Probe - Holder		
3c	5202099	Screw - #10-24 x 0.50" PHIL		[1]
4	000008660	Ice Thickness Control Probe		
5	4010979	Water Curtain		
6	7602193	Water Distribution Tube - 30" Models		
6a	5004649	O-Rings		[2]
7	4003609	Water Trough		[3]
8	000009055	Foodzone Seal Panel		
9	4008469	Evaporator Top Filler Panel		
9a	6063339	Bracket - Top Filler Panel		
9b	5202099	Screw - #10-24 x 0.50" PHIL		
10	7602203	Evaporator Top Frame Assembly		
11	7602213	Water Diverter - 30" Models		
11a	5305123	Thumbscrew SS - #8-32 x 0.44"		
12	000006728	LCD Display		
13	000007926	Touch Pad with Housing		
14	000007737	LCD Wiring Harness - 30" Long		
15	000006697	Touch Pad/Housing Mounting Bracket		
16		Front Panel LCD Frame		
16a	000006647	LCD Frame with Key Guard		
16b	000006564	LCD Frame without Key Guard		
16c	K00433	Display Cover		[4]
17	000006700	Ice Deflector		
18	5004799	Thumbscrew SS - #8-32 x 0.375"		[5]
18a	5004629	O-Ring - 0.125" ID		
19	5004619	Screw - #12-16 x 0.687"		
20	5004659	Water Pump Base O-Ring - 4.00" ID		
21	5004679	Water Pump Outlet O-Ring - 0.875" ID		

PART NOTES:

- [1] - Mount Water Level Probe Holder
- [2] - Back of Distribution Assembly
- [3] - \water trough.jpg" width=313 height=169>
- [4] - hides the display completely
- [5] - Water Distribution Tube Mounting Each

i0680C, iCVD0695 Indigo

I0680C REFRIGERATION COMPARTMENT - COMMON COMPONENTS VIEW 1



i0680C, iCVD0695 Indigo

I0680C REFRIGERATION COMPARTMENT - COMMON COMPONENTS VIEW 1

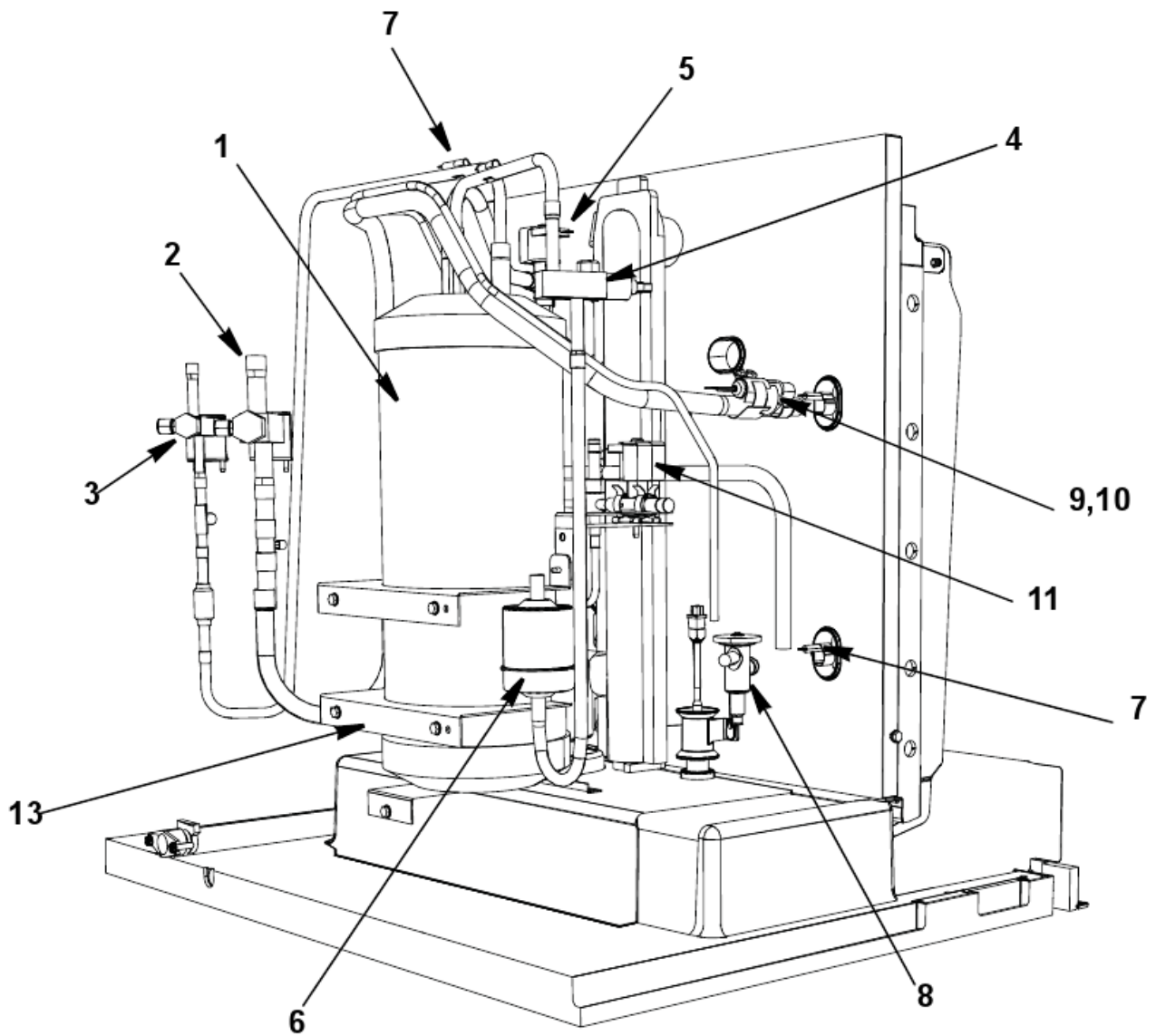
#	PART #	DESCRIPTION	QTY	Note
1		Water Dump Valve		[1]
1a	000001767	Water Dump Valve - 115V/60 Hz		
1b	000001768	Water Dump Valve - 208-230V/50-60 Hz		
1c	6058459	Water Dump Valve Mounting Bracket		
1d	4420383	Clear Tubing - 0.625" ID		
2		Water Inlet Valve		
2a	000007965	Water Inlet Valve - 115V/60 Hz/1 Ph		
2b	000007966	Water Inlet Valve - 208-230V/50-60 Hz		
2c	000007594	Water Inlet Valve Bracket		
3	4000363	Valve Insulation Boot - Body		
4	4007203	Valve Insulation Boot - Bulb		[2]
5	000007888	Magnetic Bin Switch		
5a	000007410	Bin Switch Wiring Harness		
6		Air Assist		
6a	000007222	Air Assist - 115V/60 Hz		
6b	000007223	Air Assist - 230V/50-60 Hz		
6c	4011739	Air Manifold		[3]
6d	000006489	Air Assist Bracket		
6e	3001453	Air Assist Nozzle		
7	K00424	LuminIce		
7a	K00425	LuminIce Bulb		
7b	000007409	LuminIce Wiring Harness		
7c	000007990	Bulkhead Fitting 2.25"		
7d	000008269	Bulkhead Fitting 2.75"		
8	000003405	Insulated Tube		[4]
8a	5650609	Snap Clamp - 1.0" ID		
8b	5650709	Snap Clamp - 0.799"/0.899" ID		
9	000001382	Vinyl Tubing 0.625" ID		[5]
9a	6038831	Insulation 0.88 ID X 0.25W X 13.50L		
9b	5650709	Snap Clamp - 0.799"/0.899" ID		
10	8706093	Female Wing Adapter - 0.375"		
10a	1360961	Male Connector		
11	4010439	Tubing - Water Inlet Valve		[6]
12	1360989	Connector - Water Inlet Valve		
13	8706133	Female Wing Adapter - 0.50"		
14	5202069	Screw - #10-24 x 0.50" HEX		

PART NOTES:

- [1] - (with bracket)
- [2] - \pages from 400720_08.jpg" width=923 height=583>
- [3] - (Air Pump Tubing Outlet)
- [4] - (vinyl tubing from distribution tube to water pump & dump valve)
- [5] - (dump valve to drain adapter)
- [6] - \pages from 401043_05.jpg" width=1797 height=2238>

i0680C, iCVD0695 Indigo

I0680C REFRIGERATION COMPARTMENT - COMMON COMPONENTS VIEW 2



i0680C, iCVD0695 Indigo

I0680C REFRIGERATION COMPARTMENT - COMMON COMPONENTS VIEW 2

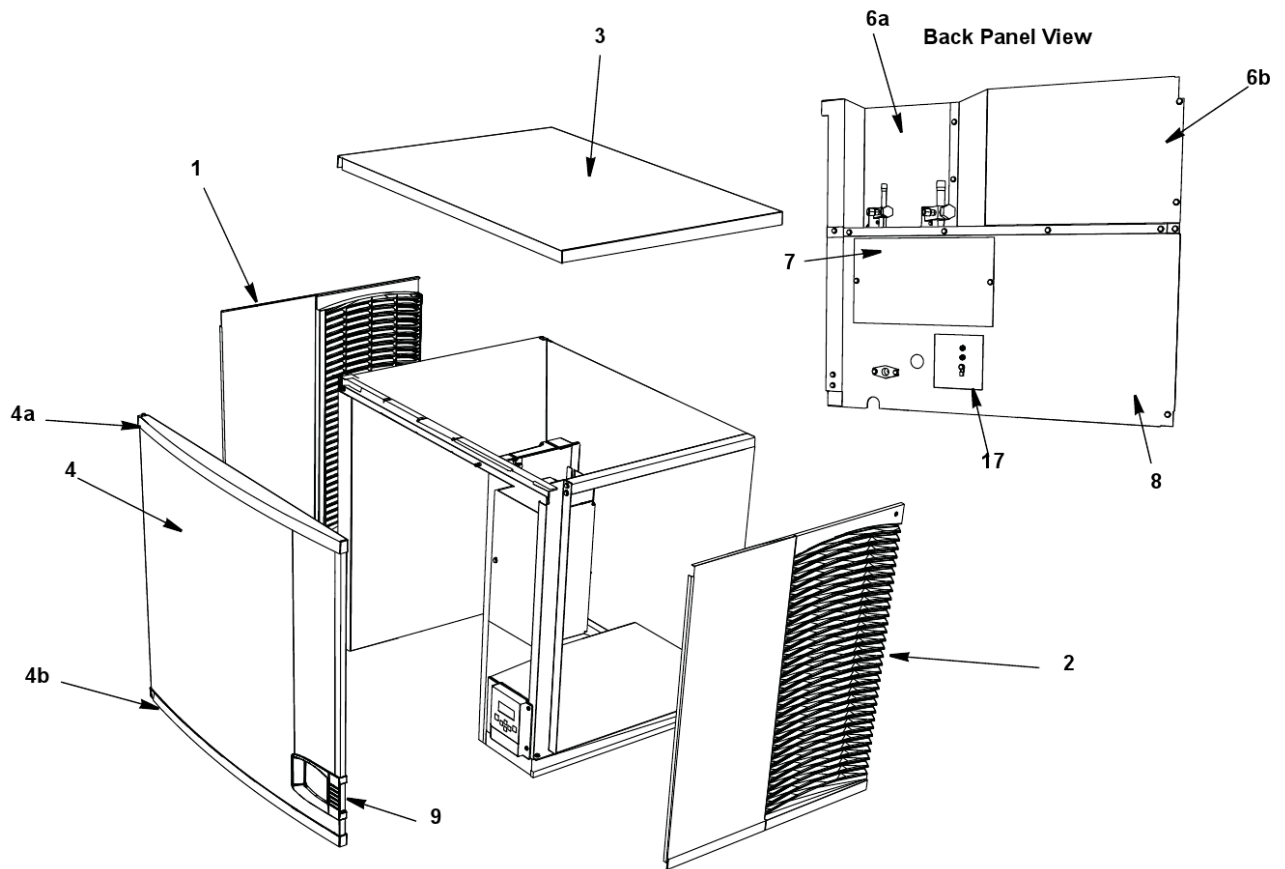
#	PART #	DESCRIPTION	QTY	Note
1	8250583	Receiver		
2	8373303	Manual Shut-Off Valve - Suction Line		
2a	8373023	Valve Cap		
2b	4007403	Valve Insulation Boot - Body		[1]
2c	4007203	Valve Insulation Boot - Bulb		[2]
3	8373293	Manual Shut-off Valve - Liquid Line		
3a	8373023	Valve Cap		
4	8373169	Receiver Service Valve		
4a	5650753	Caps for Refrigeration Service Valve		
5		Liquid Line Solenoid Valve		
5a	7630001	Solenoid Valve with Electrical Coil - 115V/60 Hz		
5b	000005156	Danfoss Solenoid Valve Coil Only - 115V/60 Hz		[3]
5c	7630061	Solenoid Valve with Coil - 208-230V/50-60 Hz		
5d	000005157	Danfoss Solenoid Valve Coil Only - 230V/50-60 Hz		[4]
6	8930279	Drier		
7	000008310	Thermistor with Spring Clips		
8	7600193	Expansion Valve		
9	5650529	Clamp - Expansion Valve Bulb		
10	3000503	Strap - Expansion Valve Bulb - 0.5"		
11		Harvest Valve		
11a	7630051	Solenoid Valve with Coil - 115V/60 Hz		
11b	000005156	Danfoss Solenoid Valve Coil Only - 115V/60 Hz		[3]
11c	7630111	Solenoid Valve with Coil - 230V/50-60 Hz		
11d	000005157	Danfoss Solenoid Valve Coil Only - 230V/50-60 Hz		[4]
12	5650619	Screw Mounting Base		
13		Receiver Mounting		
13a	6000561	Receiver Mounting Bracket		[5]
13b	6307214	Receiver Mounting Strap		
13c	000006731	Receiver Mounting Support Bracket		
13d	6058659	Base, Water Condenser/Receiver		
13e	5202069	Screw - #10-24 x 0.50" HEX		

PART NOTES:

- [1] - \pages from 400740_02.jpg" width=362 height=281>
- [2] - \pages from 400720_08.jpg" width=923 height=583>
- [3] - \pages from 000005156_02.jpg" width=280 height=256>
- [4] - \pages from 000005156_02.jpg" width=266 height=183>
- [5] - (between receiver and panel)

i0680C, iCVD0695 Indigo

I0680C HEAD SECTION - PANELS



i0680C, iCVD0695 Indigo

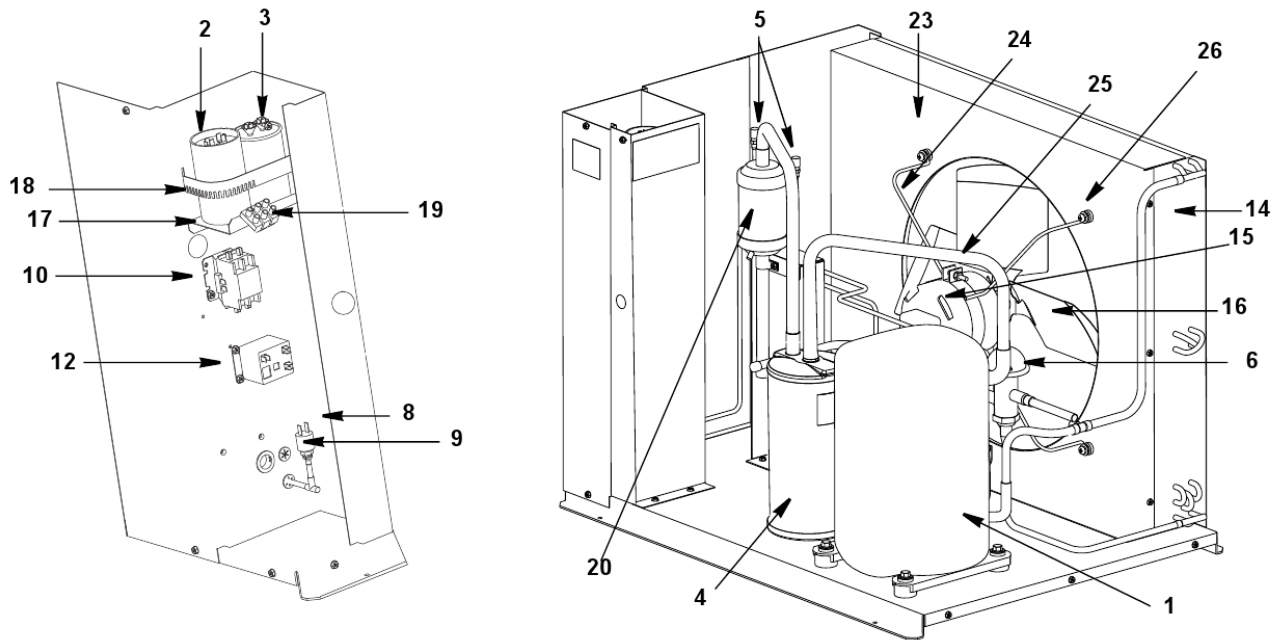
I0680C HEAD SECTION - PANELS

#	PART #	DESCRIPTION	QTY	Note
1	000005217	Left Side Panel		
2	000005215	Right Side Panel		
3	000006699	Top Cover		
4	000006577	Front Panel Assembly		
4a	000006538	Top Endcap		
4b	000006539	Bottom Endcap		
5	000010051	Front Top Support		
5a	5005379	Mounting Screw - #8-32 x 1" PHIL		
5b	5005099	Mounting Screw - #10-16 x 0.625" PHIL		
6		Top Back Panels		
6a	6064649	Left Side		
6b	6064639	Right Side		
7	6059689	Bottom Back Panel		
8	6062809	Coupling Panel		
9		Front Panel LCD Frame		
9a	000006647	LCD Frame with Key Guard		
9b	000006564	LCD Frame without Key Guard		
9c	K00433	Display Cover		[1]
10	5004899	Front Door Screw		
11	7602263	Bottom Door Frame		
11a	5005379	Mounting Screw - #8-32 x 1" PHIL		
11b	5202099	Screw - #10-24 x 0.50" PHIL		
12	3005579	Left Door Pivot Leaf Hinge		[2]
12a	5005379	Mounting Screw - #8-32 x 1" PHIL		
13	6063439	Left Corner Post		
14	6068649	Left Top Channel		
15	6062929	Right Corner Post		
16	6062579	Right Top Channel		
17		Electrical Box on Rear of Ice Machine		
17a		Box & Cover		[3]
17b	2006143	Terminal Block - 50 Hz - 3 Pole		
17c	5202169	Screw - #10-24 x 0.50" Ground		
18	7112239	Cartoning		

PART NOTES:

- [1] - hides the display completely
- [2] - Top or Bottom
- [3] - Included in Back Panel Assembly

ICVD0695 CONDENSING UNIT - REFRIGERATION COMPONENTS



i0680C, iCVD0695 Indigo

ICVD0695 CONDENSING UNIT - REFRIGERATION COMPONENTS

#	PART #	DESCRIPTION	QTY	Note
		NOTE: Copeland compressors are no longer available, order a bristol compressor AND the corresponding conversion kit.		[1]
1		Bristol Compressor		
1a	000009307	Bristol Compressor - 208-230V/60 Hz/1 Ph		
1b	000009959	Bristol Compressor - 230V/50 Hz/1 Ph		
1c	000009957	Bristol Compressor - 230V/60 Hz/ 3 Ph		
1d	000003447	Molded Plug		
1e	000009308	Conversion Kit to Replace Copeland Compressor with Bristol Compressor		
2		Start Capacitor		
2a	000006454	Start Capacitor - 50-60 Hz/1 Ph		
2b	8505513	Start Capacitor - 50-60 Hz/1 Ph		
3		Run Capacitor		
3A		Copeland Compressor		
3a	8503933	Run Capacitor - 115-230V/50-60 Hz/1 Ph		
3b	2010133	Run Capacitor - 115-230V/50-60 Hz/1 Ph		
3B		Bristol Compressor		
3a	2010133	Run Capacitor - 115-230V/50-60 Hz/1 Ph		
4	000007280	Suction Accumulator		
5	8373253	Access Valve		
6	000004070	Head Pressure Control Valve		
7	8373149	Magni-Check Valve - 0.375"		
8	2001263	Fan Cycling Control - 200-250 psig		[2]
9	2001243	High Pressure Cut-out Control		
10		Contactactor		
10a	000007597	Contactactor - 50-60 Hz/1 Ph - 24 Volt Coil		
10b	000007598	Contactactor - 60 Hz/3 Ph - 24 Volt Coil		
11	2002229	Low Pressure Cut-out Control		
12		Start Potential Relay		
12A	2007559	Start Potential Relay - 50-60 Hz/1 Ph		
12a	2009513	Start Potential Relay - 60 Hz/1 Ph		
12b	000009183	Start Potential Relay - 50 Hz/1 Ph		
13	000007581	Transformer		
14	8851443	Air-cooled Condenser		
15		Fan Motor		
15a	000003031	Fan Motor - 208-230V/60 Hz/1-3 Ph		
15b	000003032	Fan Motor - 208-230V/50 Hz/1 Ph		
16	2416303	Fan Blade		
17	6034981	Capacitor Mounting Bracket		
18	6021601	Capacitor Mounting Strap		
19		Terminal Block		
19a	000009929	Terminal Block - 60 Hz with Wiring Harness		
19b	2006143	Terminal Block - 50 Hz - 3 Pole		
20	8250539	Suction Line Filter		

i0680C, iCVD0695 Indigo

ICVD0695 CONDENSING UNIT - REFRIGERATION COMPONENTS

#	PART #	DESCRIPTION	QTY	Note
20a	000006484	Suction Line Filter Bracket		
21		Wiring Harness		
21a	000007741	Wiring Harness - 230V/60 Hz/1 Ph		
21b	000007740	Wiring Harness - 230V/50 Hz/1 Ph		
22		Compressor Mounting		
22a	8503069	Mounting - Rubber Grommet		
22b	8503949	Mounting - Sleeve		
22c	5004819	Compressor Mounting - Bolt		
22d	5004829	Compressor Mounting - Nut		
23	6037041	Fan Shroud		
24	3006823	Fan Motor Mounting Bracket		
25	5033589	Mounting - Screw		
25a	5545119	Mounting - Lockwasher		
25b	5429529	Mounting - Hexnut		
26	5033589	Mounting - Screw		
26a	5545119	Mounting - Lockwasher		
26b	5573059	Mounting - Flatwasher		
26c	5429559	Mounting - Rubber Wellnut		

PART NOTES:

- [1] - NOTE: Copeland compressors are no longer available, order a bristol compressor AND the corresponding conversion kit.
- [2] - \pages from 200126_09.jpg" width=150 height=306>