



Manitowoc
Foodservice
Parts Manual

For more Parts Information:

<https://manitowocfsg.sysonline.com/Default.aspx>

TABLE OF CONTENTS

Manitowoc Foodservice [Updated: Sep. 30, 2013]

Manitowoc - Ice & Related

Parts Catalog

Ice Machine

Indigo Series

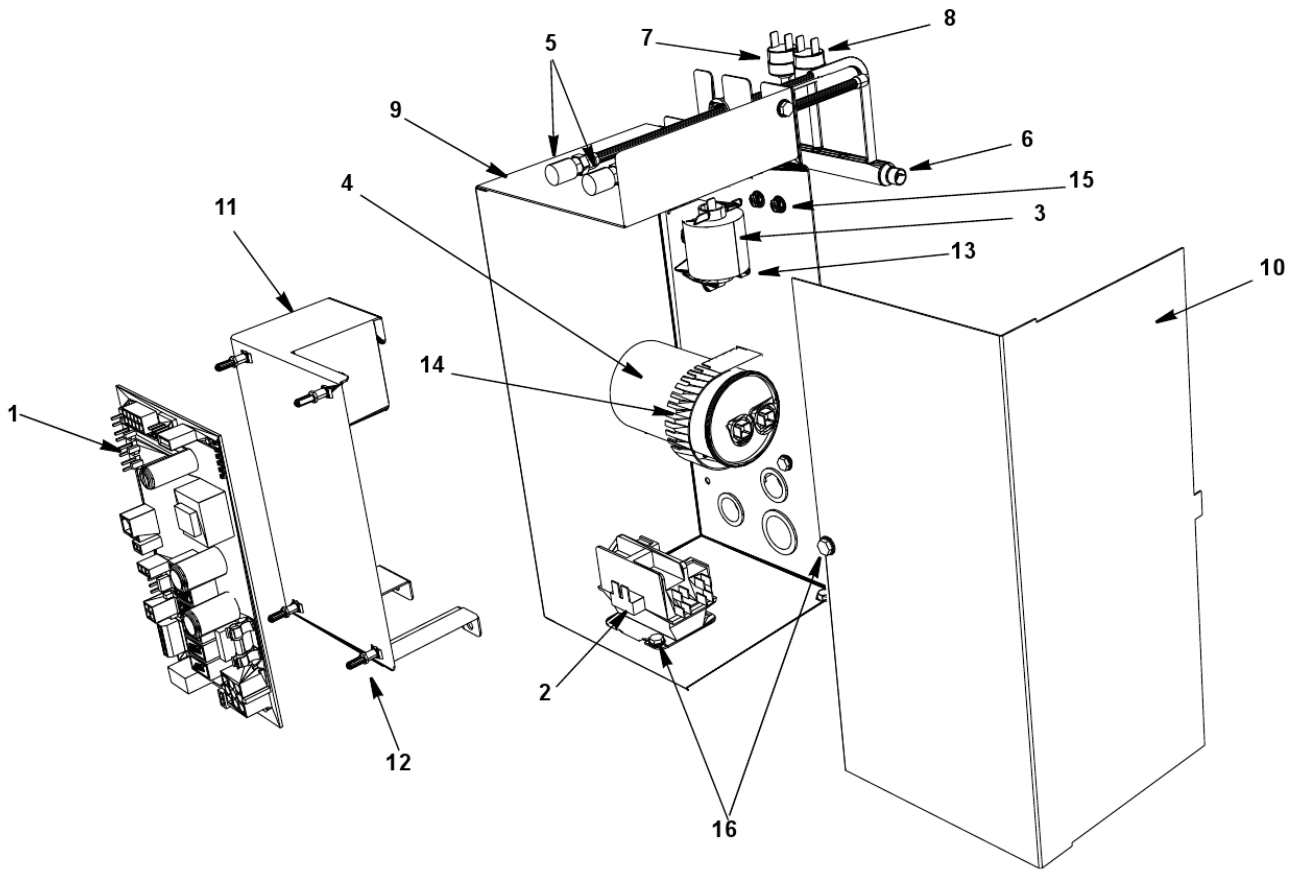
Indigo Model - Prison

i1000P, JC0995 Indigo

i1000P Control Box.....	1
i1000P Evaporator Compartment - Common Components.....	3
i1000P Refrigeration Compartment - Common Components.....	5
i1000P Refrigeration Compartment – Air-cooled.....	8
i1000P Refrigeration Compartment – Water-cooled.....	10
i1000P Refrigeration Compartment - Remote.....	12
i1000P Panels.....	14
JC0995 Remote Condenser.....	17

i1000P, JC0995 Indigo

I1000P CONTROL BOX



i1000P, JC0995 Indigo

I1000P CONTROL BOX

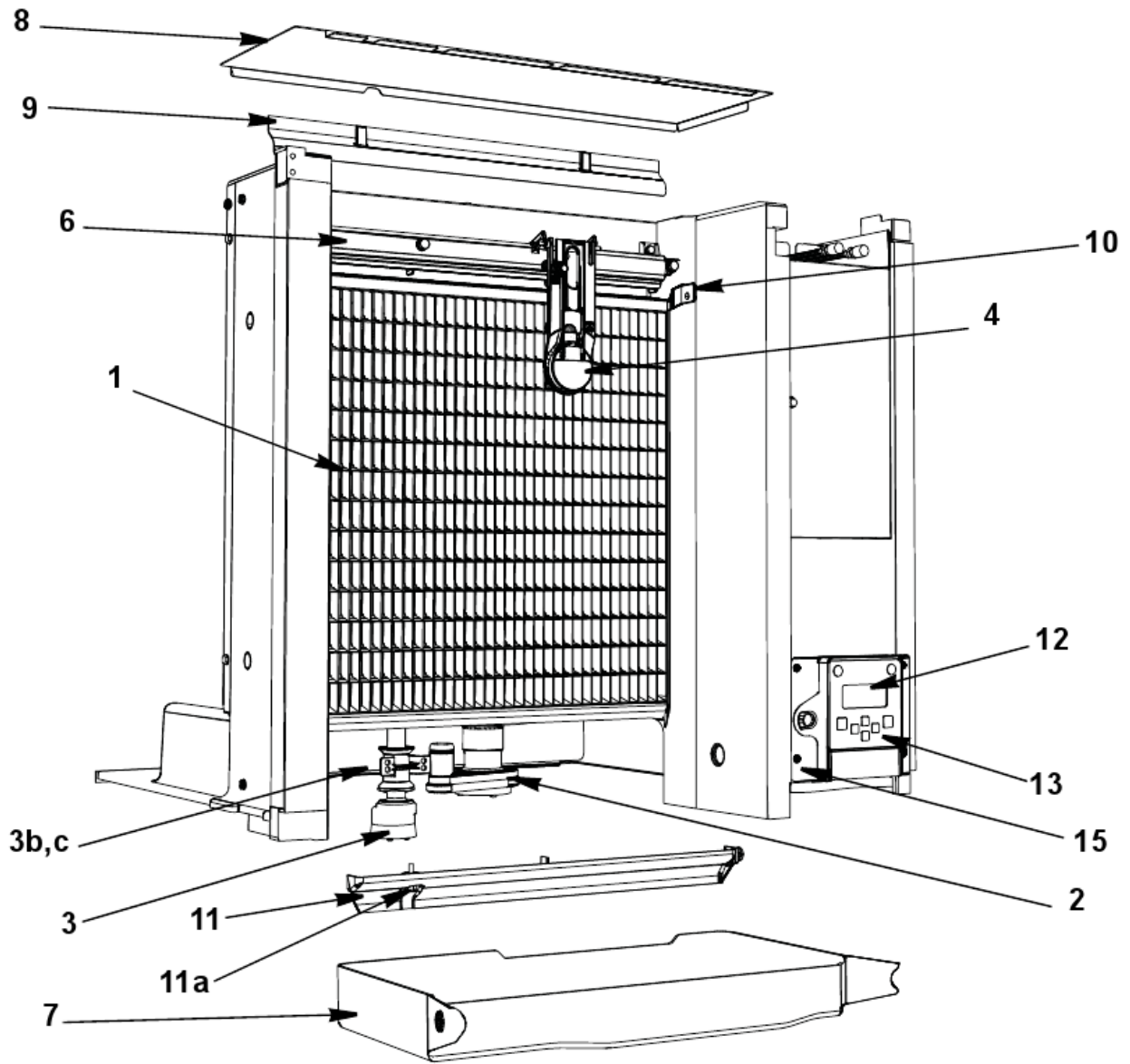
#	PART #	DESCRIPTION	QTY	Note
1	000008309	Control Board		
1a	000009181	8 amp Ceramic Fuse - Mounted on Control Board		
2		Contactor		
2a	2006599	Contactor - 230V/50-60 Hz/1 Ph		
2b	2006619	Contactor - 230V/60 Hz/3 Ph		
3	8504993	PTCR Compressor Starter		
4		Compressor Run Capacitor		
4a	8503933	Run Capacitor - 115-230V/50-60 Hz/1 Ph		
4b	000001395	Run Capacitor - 208-230V/50-60 Hz/1 Ph		
5	8373263	Refrigeration Service Valve Assembly		
6	8251049	Manifold Strainer		
6a	6058571	Bracket		
7	2001243	High Pressure Cut-out Control		
8	2001273	Fan Cycling Control - 225-275 psig		[1]
9	000008279	Control Box		
10	000010421	Control Box Cover		
11	000007564	Control Board Mounting Bracket		
12	4302253	Control Board Mounting Supports		
13	8505013	PTCR Compressor Starter Mounting Bracket		
14	6024953	Capacitor Mounting Strap		
15	5202169	Screw - #10-24 x 0.50" Ground		
15a	5573209	Star Washer		
16	5202069	Screw - #10-24 x 0.50" HEX		
17	5573209	Star Washer		
18		Control Box Bushings		
18a	2500019	Bushing - 1.187"		
18b	2501409	Bushing - 0.875"		
19		Control Box Wiring Harness		
19a	000007179	Control Box Wiring Harness - 230V/60 Hz/1 Ph		
19b	000007181	Control Box Wiring Harness - 230V/60 Hz/3 Ph		
19c	000007180	Control Box Wiring Harness - 230V/50 Hz/1 Ph		
19d	000008020	Control Box Wiring Harness - 460V/60 Hz/3 Ph		
19e	2007439	Harvest Air Assist Pump Wiring Harness		
20		Compressor Compartment Wiring Harness		
20a	000007178	Compressor Compartment Wiring Harness - Air-cooled		
20b	000007176	Compressor Compartment Wiring Harness - Water-cooled		
20c	000007175	Compressor Compartment Wiring Harness - Remote Air-cooled		

PART NOTES:

[1] - \pages from 200126_09.jpg" width=170 height=228>

i1000P, JC0995 Indigo

I1000P EVAPORATOR COMPARTMENT - COMMON COMPONENTS

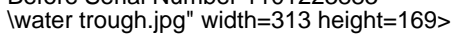
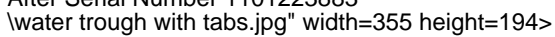


i1000P, JC0995 Indigo

I1000P EVAPORATOR COMPARTMENT - COMMON COMPONENTS

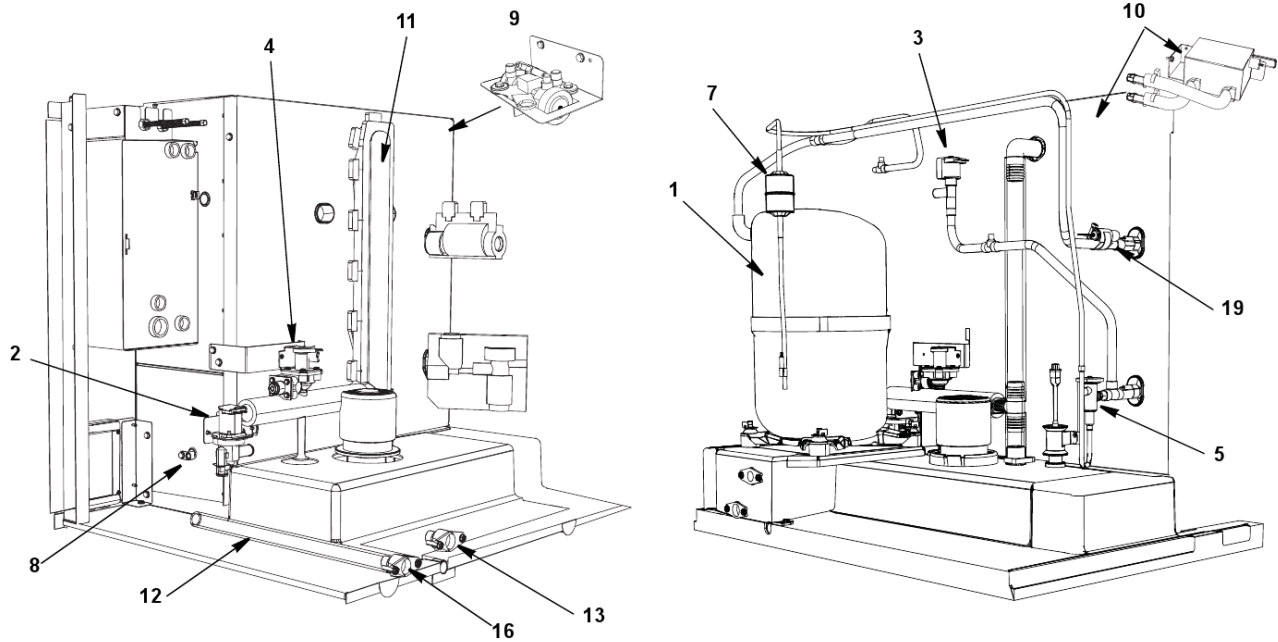
#	PART #	DESCRIPTION	QTY	Note
1		Evaporator Assembly		
1a	7602283	Evaporator - Dice Cube		
1b	7602273	Evaporator - Half Dice Cube		
2		Water Pump - See Note for Specific Voltage		
2a	8251139	Water Pump - 230V/50-60 Hz		[1]
2b	8252709	Water Pump - 230V/50-60 Hz		[2]
3	000007052	Water Level Probe		
3a	000007724	Wire - Control Box to Water Level Probe		
3b	000007053	Water Level Probe - Holder		
3c	5202099	Screw - #10-24 x 0.50" PHIL		[3]
4	000008660	Ice Thickness Control Probe		
5	4010989	Water Curtain		
6	7602193	Water Distribution Tube - 30" Models		
6a	5004649	O-Rings		[4]
		Water Trough - See Note for Serial Break		
7a	4003609	Water Trough		[5]
7b	000010337	Water Trough		[6]
8	000009055	Foodzone Seal Panel		
9	4008469	Evaporator Top Filler Panel		
9a	6063339	Bracket - Top Filler Panel		
9b	5202099	Screw - #10-24 x 0.50" PHIL		
10	7602203	Evaporator Top Frame Assembly		
11	7602213	Water Diverter - 30" Models		
11a	5305123	Thumbscrew SS - #8-32 x 0.44"		
12	000006728	LCD Display		
13	000007974	Touch Pad with Housing		
14	000007737	LCD Wiring Harness - 30" Long		
15	000007746	Touch Pad/Housing Mounting Bracket		
16	000006700	Ice Deflector		
17	5004799	Thumbscrew SS - #8-32 x 0.375"		[7]
17a	5004629	O-Ring - 0.125" ID		
18	5004619	Screw - #12-16 x 0.687"		
19	5004659	Water Pump Base O-Ring - 4.00" ID		
20	5004679	Water Pump Outlet O-Ring - 0.875" ID		

PART NOTES:

- [1] - 60 Hz
- [2] - 50 Hz
- [3] - Mount Water Level Probe Holder
- [4] - Back of Distribution Assembly
- [5] - Before Serial Number 1101223883

- [6] - After Serial Number 1101223883

- [7] - Water Distribution Tube Mounting Each

i1000P, JC0995 Indigo

I1000P REFRIGERATION COMPARTMENT - COMMON COMPONENTS



i1000P, JC0995 Indigo

I1000P REFRIGERATION COMPARTMENT - COMMON COMPONENTS

#	PART #	DESCRIPTION	QTY	Note
1		Compressor		
1a	000007748	Compressor - Bristol - 208-230V/60 Hz/1 Ph		
1b	000007749	Compressor - Bristol - 208-230V/60 Hz/3 Ph		
1c	000007750	Compressor - Bristol - 230V/50 Hz/1 Ph		
1d	000005176	Compressor Molded Plug Wiring Harness		
2		Water Dump Valve		[1]
2a	000001768	Water Dump Valve - 208-230V/50-60 Hz		
2b	6058459	Water Dump Valve Mounting Bracket		
2c	4420383	Clear Tubing - 0.625" ID		
3		Harvest Valve		
3a	000007015	Solenoid Valve With Electrical Coil 208-230V/50-60 Hz		
3b	000005157	Danfoss Solenoid Valve Coil Only - 230V/50-60 Hz		[2]
4		Water Inlet Valve		
4a	000007966	Water Inlet Valve - 208-230V/50-60 Hz		
4b	000007594	Water Inlet Valve Bracket		
5	7602253	Expansion Valve		
5a	4000363	Valve Insulation Boot - Body		
5b	4007203	Valve Insulation Boot - Bulb		[3]
6	000008310	Thermistor with Spring Clips		
7	8930259	Drier		
8	000007888	Magnetic Bin Switch		
8a	000007410	Bin Switch Wiring Harness		
9		Air Assist		
9a	000007223	Air Assist - 230V/50-60 Hz		
9b	4011739	Air Manifold		[4]
9c	000006489	Air Assist Bracket		
9d	3001453	Air Assist Nozzle		
10	K00424	LuminIce		
10a	K00425	LuminIce Bulb		
10b	000007409	LuminIce Wiring Harness		
10c	000007990	Bulkhead Fitting 2.25"		
10d	000008269	Bulkhead Fitting 2.75"		
11	000003406	Insulated Tube		[5]
11a	5650603	Snap Clamp - 1.0" ID		
11b	5650703	Snap Clamp - 0.799"/0.899" ID		
12	000001382	Vinyl Tubing 0.625" ID		[6]
12a	6038831	Insulation 0.88 ID X 0.25W X 13.50L		
12b	5650709	Snap Clamp - 0.799"/0.899" ID		
13	8706093	Female Wing Adapter - 0.375"		
13a	1360961	Male Connector		
14	4010439	Tubing - Water Inlet Valve		[7]
15	1360989	Connector - Water Inlet Valve		

i1000P, JC0995 Indigo

I1000P REFRIGERATION COMPARTMENT - COMMON COMPONENTS

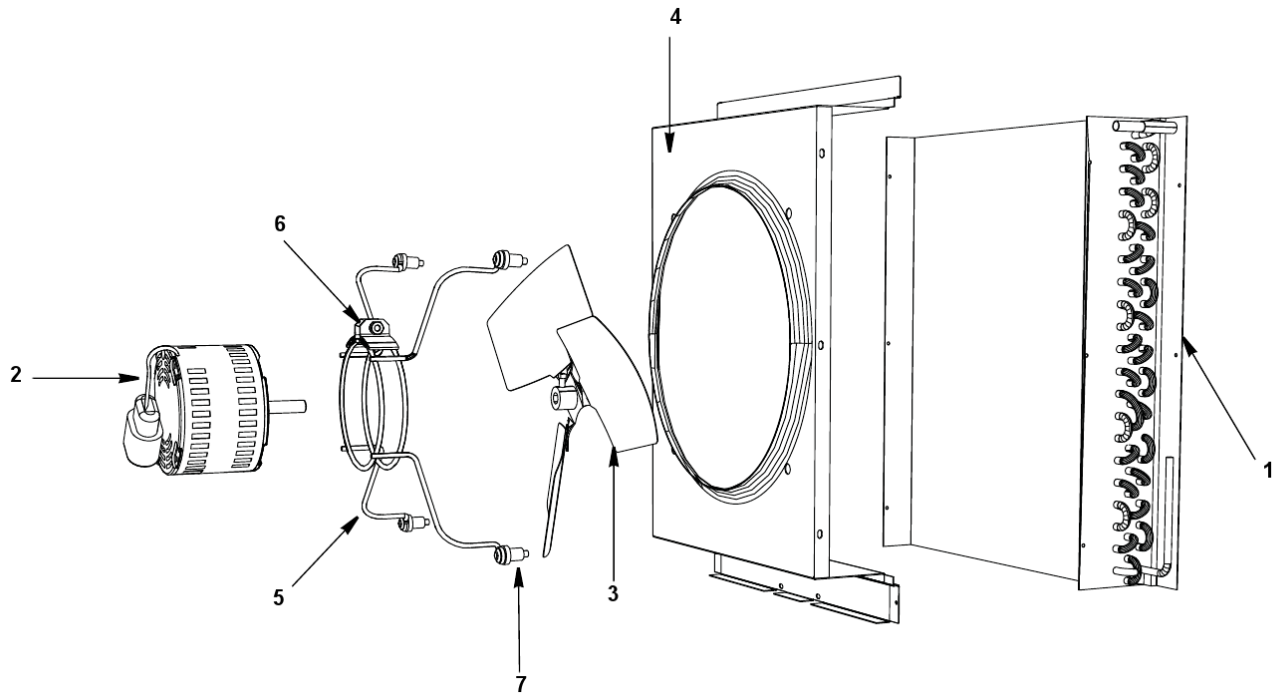
#	PART #	DESCRIPTION	QTY	Note
16	8706133	Female Wing Adapter - 0.50"		
17		Compressor Mounting		
17a	6061709	Compressor Mounting Base		
17b	8503069	Mounting - Rubber Grommet		
17c	8503949	Mounting - Sleeve		
17d	5004819	Compressor Mounting - Bolt		
17e	5004829	Compressor Mounting - Nut		
18	5650529	Clamp - Expansion Valve Bulb		
19	3000503	Strap - Expansion Valve Bulb - 0.5"		
20	5202069	Screw - #10-24 x 0.50" HEX		

PART NOTES:

- [1] - with bracket
- [2] - \pages from 000005156_02.jpg" width=266 height=183>
- [3] - \pages from 400720_08.jpg" width=923 height=583>
- [4] - Air Pump Tubing Outlet
- [5] - vinyl tubing from distribution tube to water pump & dump valve
- [6] - dump valve to drain adapter
- [7] - \pages from 401043_05.jpg" width=1797 height=2238>

i1000P, JC0995 Indigo

I1000P REFRIGERATION COMPARTMENT – AIR-COOLED



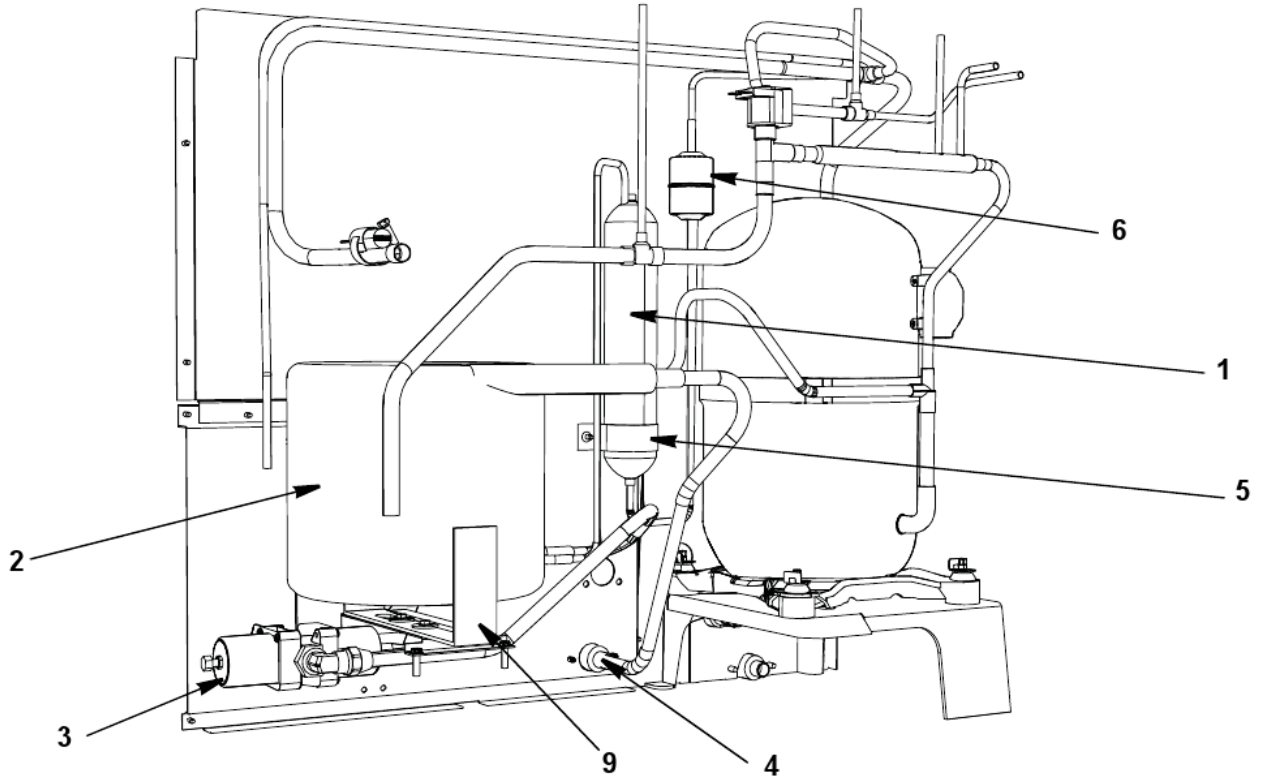
i1000P, JC0995 Indigo

I1000P REFRIGERATION COMPARTMENT – AIR-COOLED

#	PART #	DESCRIPTION	QTY	Note
1	8252399	Air Condenser		
2	000003033	Fan Motor - 208-230V/50-60 Hz		
3	2416123	Fan Blade		
4	6058119	Fan Shroud		
5	3006843	Fan Motor Bracket		
6		Fan Motor Mounting		
6a	5033589	Mounting - Screw		
6b	5545109	Lockwasher		
6c	5429529	Mounting - Hexnut		
7		Fan Bracket Mounting		
7a	5032389	Fan Bracket Mounting Screw		
7b	5545109	Lockwasher		
7c	5573059	Mounting - Flatwasher		
7d	5429559	Mounting - Rubber Wellnut		
8	5202069	Screw - #10-24 x 0.50" HEX		

i1000P, JC0995 Indigo

I1000P REFRIGERATION COMPARTMENT – WATER-COOLED



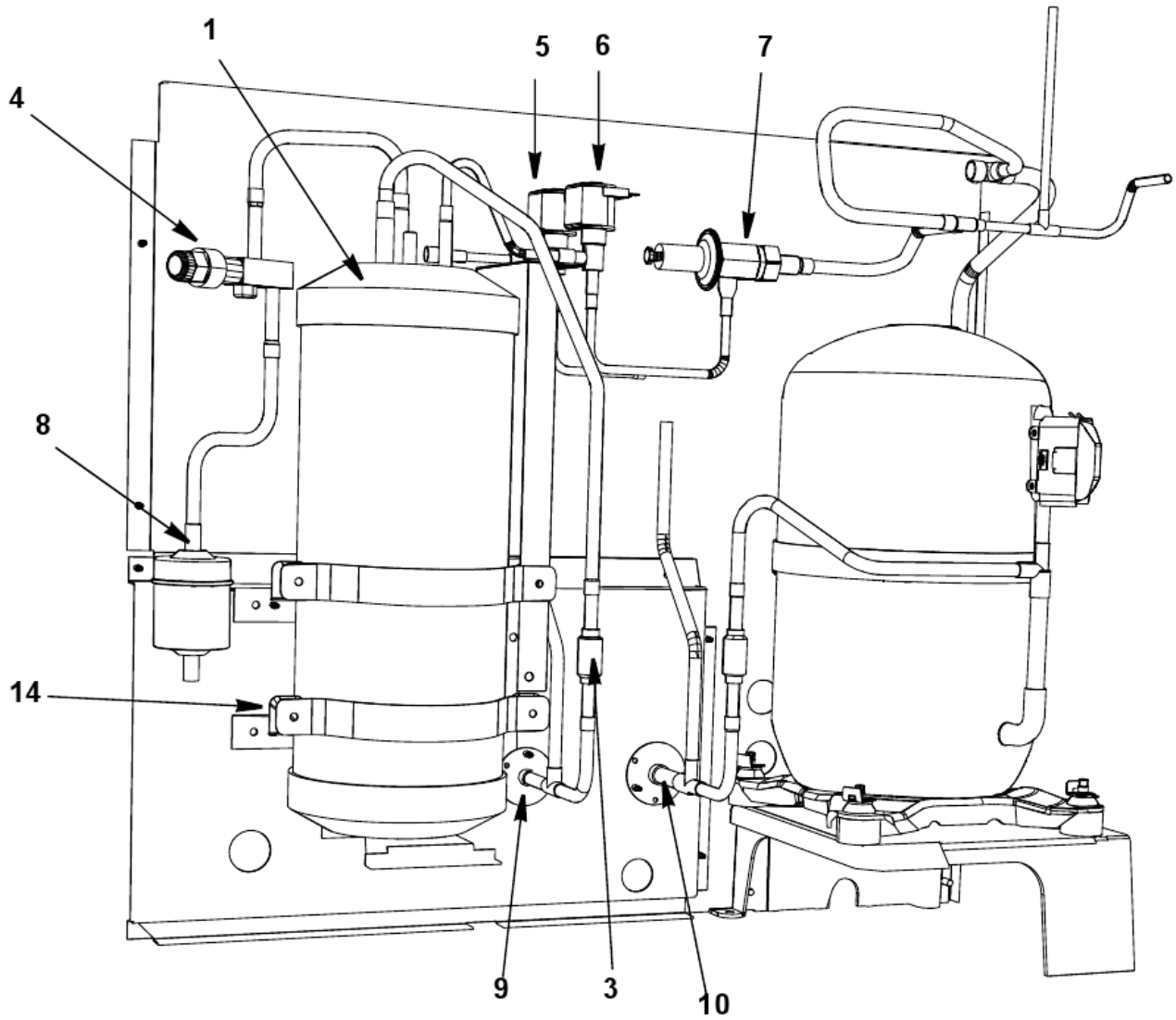
i1000P, JC0995 Indigo

I1000P REFRIGERATION COMPARTMENT – WATER-COOLED

#	PART #	DESCRIPTION	QTY	Note
1	000008893	Receiver		
2	000001507	Water-cooled Condenser		
3	000007546	Water Regulating Valve		
4	8706083	Female Wing Adapter - 0.50"		
5	6000541	Receiver Strap		
6	5002249	Elbow 1/2 MF x 3/8 MPT		
7	5202063	Screw - #10-24 x 0.50" HEX		
8	5573419	Washer		
9	6058659	Base, Water Condenser/Receiver		

i1000P, JC0995 Indigo

I1000P REFRIGERATION COMPARTMENT - REMOTE



i1000P, JC0995 Indigo

I1000P REFRIGERATION COMPARTMENT - REMOTE

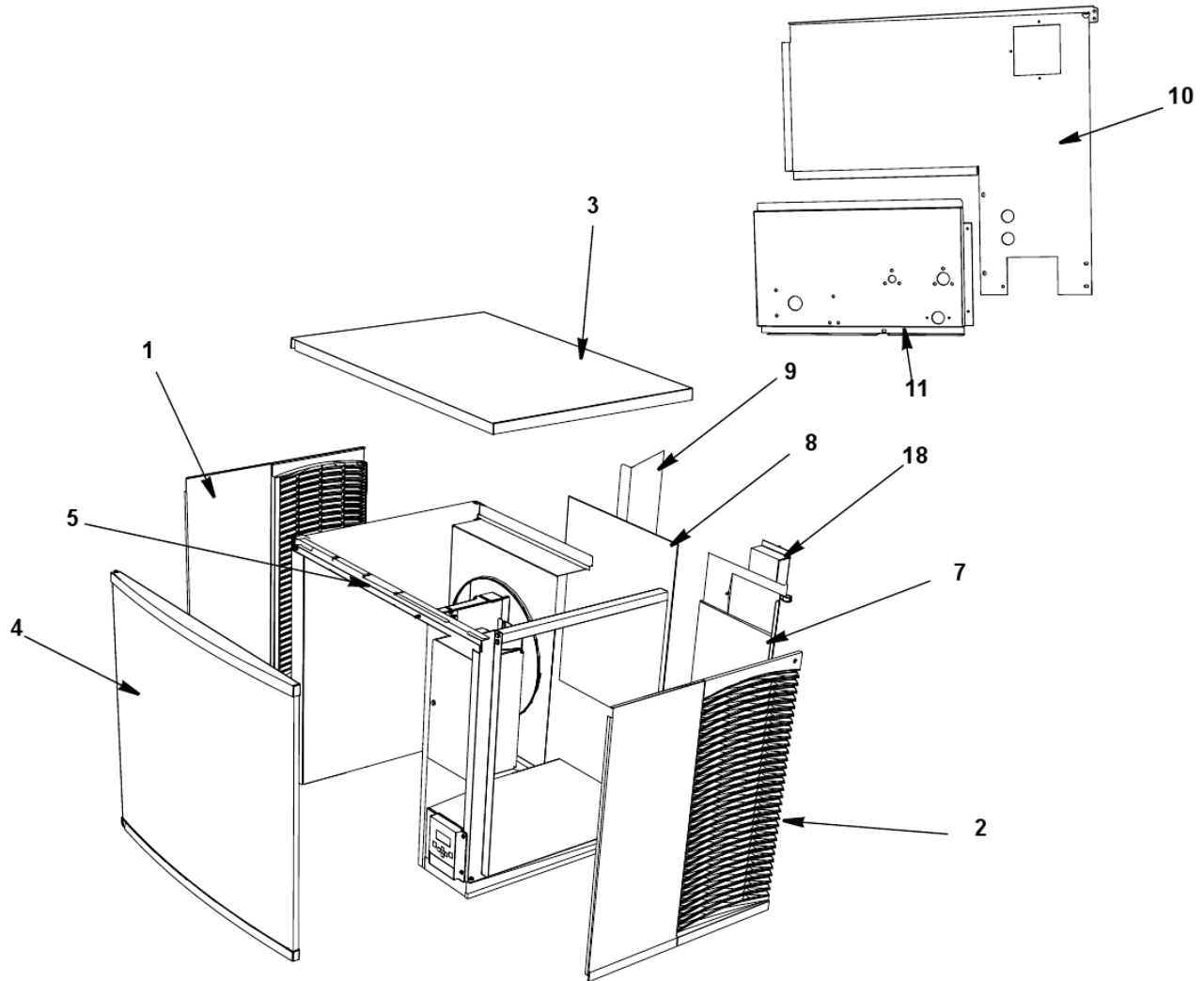
#	PART #	DESCRIPTION	QTY	Note
1	7629573	Receiver		
2	8930279	Drier		
3	8373149	Magni-Check Valve - 0.375"		
4	8373169	Receiver Service Valve		
4a	5650759	Cap for Refrigeration Service Valve		
5		Harvest Pressure Regulating Solenoid (HPR) Valve		
5a	000007034	Solenoid Valve Including 208-230V/50-60 Hz Electrical Coil		
5b	000005157	Danfoss Solenoid Valve Coil Only - 230V/50-60 Hz		[1]
6		Liquid Line Solenoid (LLS) Valve		
6a	000007032	Solenoid Valve Including - 208-230V/50-60 Hz Electrical Coil		
6b	000005157	Danfoss Solenoid Valve Coil Only - 230V/50-60 Hz		[1]
7	8367793	Harvest Pressure Regulating Valve		
8	8930279	Drier		
9	8360343	Coupling - Male - 5/8-18		
10	8360353	Coupling - Male - 1-1/6-12		
11	8360053	Coupling Mounting Flange for 5/8-18		
12	8360063	Coupling Mounting Flange for 1-1/16-12		
13	5650619	Screw Mounting Base		
14		Receiver Mounting		
14a	6000561	Receiver Mounting Bracket		
14b	6307214	Receiver Mounting Strap		
14c	000006721	Support Bracket		
14d	6058659	Base, Water Condenser/Receiver		
14e	5202069	Screw - #10-24 x 0.50" HEX		

PART NOTES:

[1] - \pages from 000005156_02.jpg" width=266 height=183>

i1000P, JC0995 Indigo

I1000P PANELS



i1000P, JC0995 Indigo

I1000P PANELS

#	PART #	DESCRIPTION	QTY	Note
1		Left Side Panel		
1a	6068941	Left Side Panel - Louvered		
1b	6068661	Left Side Panel - Non-Louvered		
2		Right Side Panel		
2a	6068931	Right Side Panel - Louvered		
2b	6068731	Right Side Panel - Non-Louvered		
3	6068781	Top Cover		
4	000008778	Front Panel Assembly		
5	6068721	Front Top Support		
5a	5005379	Mounting Screw - #8-32 x 1" PHIL		
5b	5005099	Mounting Screw - #10-16 x 0.625" PHIL		
6	6061709	Compressor Mounting Base Air-cooled Back Panels		
7	000007868	Back Panel with Electrical Connection Box, Air-cooled Models		
8	3005559	Air Filter		
9	000007502	Air Baffle Assembly Water-cooled & Remote Air-cooled Back Panels		
10	000007870	Back Panel with Electrical Connection Box		
11	6061739	Back Coupling Panel - Water-cooled and Remote Air-cooled		
12	8706083	Female Wing Adapter - 0.50"		
13	7602263	Bottom Door Frame		
13a	5005379	Mounting Screw - #8-32 x 1" PHIL		
13b	5202099	Screw - #10-24 x 0.50" PHIL		
14	6068649	Left Top Channel		
15	6062579	Right Top Channel		
16		Left Corner Post - See Note for Serial Break		
16a	6061909	Left Corner Post		[1]
16b	000010300	Left Corner Post		[1]
17		Right Corner Post - See Note for Serial Break		
17a	000008752	Right Corner Post		[1]
17b	000010683	Right Corner Post		[2]
18		Electrical Box on Rear of Ice Machine		
18a		Box with Cover		[3]
18b	2006143	Terminal Block - 50 Hz - 3 Pole		
18c	5202169	Screw - #10-24 x 0.50" Ground		
19	5005353	Front Panel Screw		
20	5005343	Screws - #12-16 x 0.50" TORX		
21	5800053	Screwdriver Bit Front Panel - #4-40 TX-15-H		
22	5800043	Screwdriver Bit Side Panels - #4-40 TX-25-H		
23	7112359	Cartoning		

i1000P, JC0995 Indigo

I1000P PANELS

#	PART #	DESCRIPTION	QTY	Note
---	--------	-------------	-----	------

PART NOTES:

- [1] - Before Serial Number 1101223883
- [2] - After Serial Number 1101223883
- [3] - Included in Back Panel Assembly

i1000P, JC0995 Indigo

JC0995 REMOTE CONDENSER

#	PART #	DESCRIPTION	QTY	Note
1	8850629	Air Condenser		
2	7629413	Fan Motor - 208-230V/50-60 Hz/1 Ph		
3	8504583	Fan Motor Run Capacitor		[1]
4	2416113	Fan Blade		
5	3400643	Fan Guard		
6	2415053	Rain Slinger		
7	000002369	Head Pressure Control Valve		
8	000007580	Fan Cycle Control		
9	8360343	Coupling - Male - 5/8-18		
10	8360353	Coupling - Male - 1-1/6-12		
11	K0129	Female Line Set Coupling Kit		
12	8360053	Coupling Mounting Flange for 5/8-18		
13	8360063	Coupling Mounting Flange for 1-1/16-12		
14	6017751	Top Cover		
15	6017741	Panel - Side		
16	6017731	Panel - Rear		
17	6017721	Panel - Front		
18	6017681	Fan Motor Mounting Bracket		
19	6017761	Electrical Box Cover		
20	5035659	Fan Motor Mounting Screw		
20a	5573099	Mounting - Flatwasher		
20b	5573139	Mounting - Lockwasher		
20c	5429759	Mounting - Hexnut		
21	5033459	Screw - 1/4-20 x 0.625"		
21a	5573049	Flatwasher		
21b	5545119	Mounting - Lockwasher		
21c	5429529	Mounting - Hexnut		
22	5121539	Panel/Condenser Mounting Screw - #8 x 0.50"		
22a	5544599	Panel/Condenser Mounting Lockwasher		
23	5202069	Screw - #10-24 x 0.50" HEX		
24	7626843	Valve Cores		
25	6017691	Legs		
26	7108369	Cartoning		

PART NOTES:

[1] - Emerson