



Manitowoc

Foodservice

HOW TO READ A MODEL NUMBER

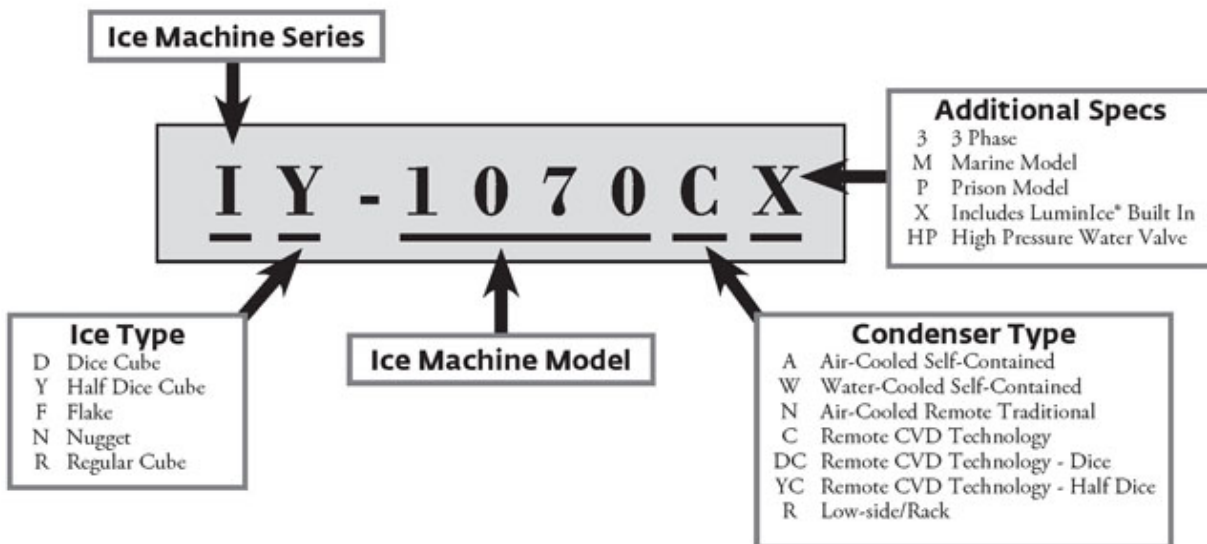


TABLE OF CONTENTS

Manitowoc Foodservice [Updated: Apr. 23, 2015]

Manitowoc - Ice & Related

Parts Catalog

Ice Machine

Indigo Series

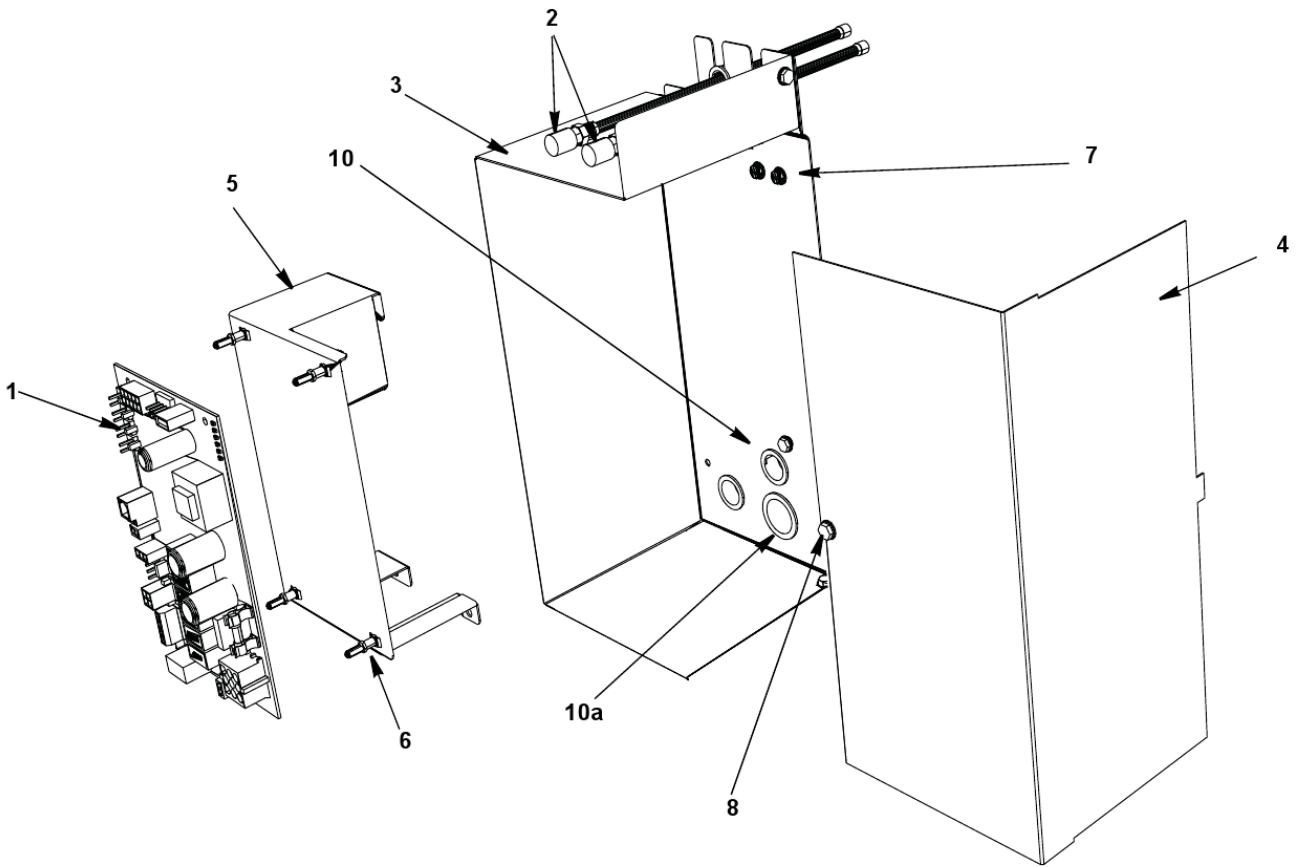
Indigo Model - QuietQube

i1070C, iCVD1095, iCVD1195 Indigo

i1070C Head Section - Control Box Components	1
i1070C Evaporator Compartment - Common Components	3
i1070C Refrigeration Compartment - Common Components View 1	6
i1070C Refrigeration Compartment - Common Components View 2	8
i1070C Head Section - Panels	10
iCVD1095 Condensing Unit - Refrigeration Components	12
iCVD1095 Condensing Unit - Panels	15
iCVD1195 Condensing Unit - Refrigeration Components	17
iCVD1195 Condensing Unit Panels	20

i1070C, iCVD1095, iCVD1195 Indigo

I1070C HEAD SECTION - CONTROL BOX COMPONENTS



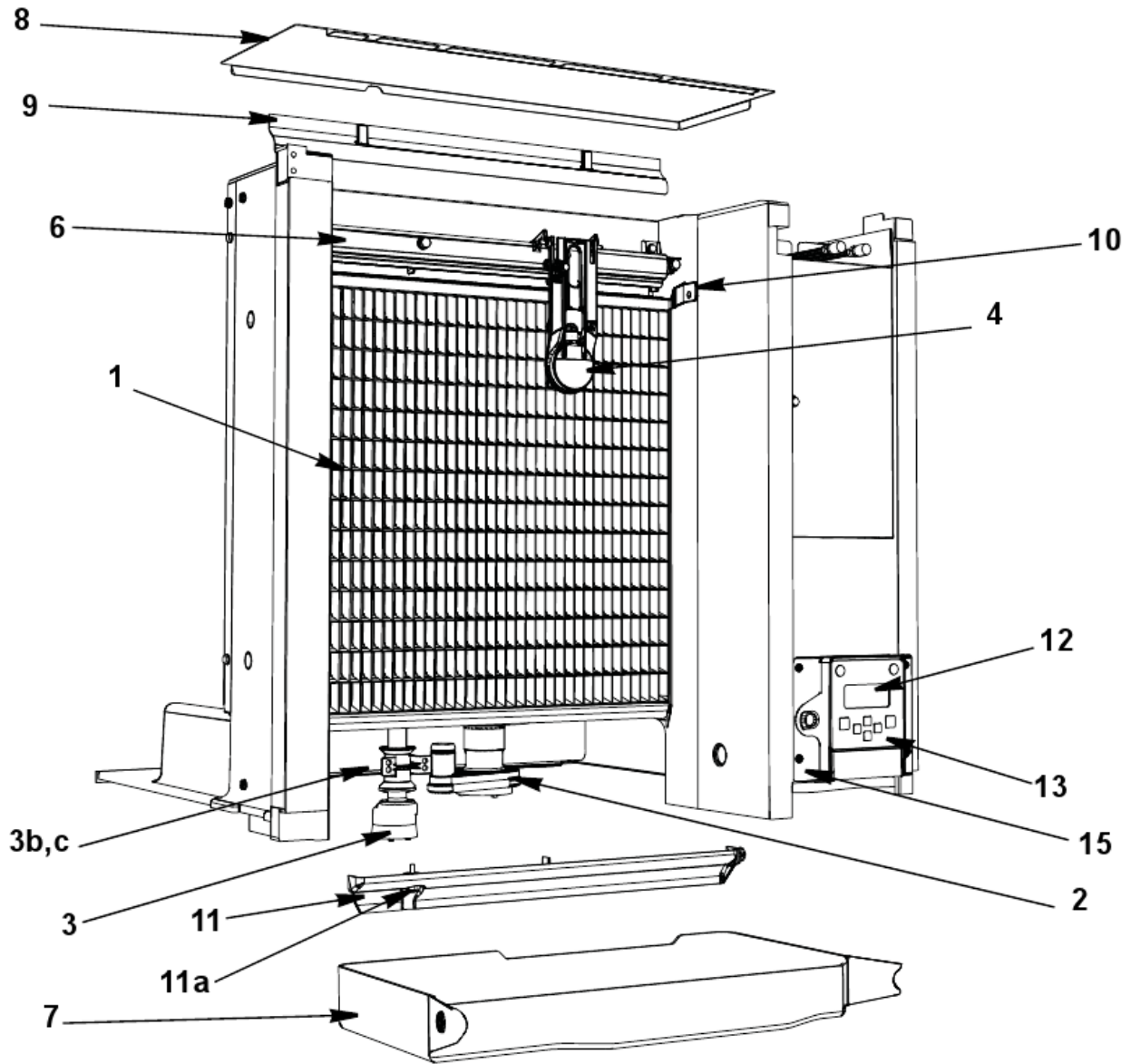
i1070C, iCVD1095, iCVD1195 Indigo

I1070C HEAD SECTION - CONTROL BOX COMPONENTS

#	PART #	DESCRIPTION	QTY	Note
1	000008309	Control Board		
1a	000009181	8 amp Ceramic Fuse - Mounted on Control Board		
2	8373263	Refrigeration Service Valve Assembly		
3	000008279	Control Box		
4	000010421	Control Box Cover		
5	000007564	Control Board Mounting Bracket		
6	4302253	Control Board Mounting Supports		
7	5202169	Screw - #10-24 x 0.50" Ground		
7a	5573209	Star Washer		
8	5202069	Screw - #10-24 x 0.50" HEX		
9	5573209	Star Washer		
10a	2500019	Bushing - 1.187"	2	
10b	2501409	Bushing - 0.875"	4	
11		Control Box Wiring Harness		
11a	000007182	Control Box Wiring Harness - 115V/60 Hz/1 Ph		
11b	000007183	Control Box Wiring Harness - 230V/50 Hz/1 Ph		
12		Refrigeration Compartment Wiring Harness		
12a	000007187	Wiring Harness - Refrigeration Compartment - 115V/60 Hz/1 Ph & 230V/50 Hz/1 Ph		
12b	000007187	Wiring Harness - Refrigeration Compartment - 115V/60 Hz/1 Ph & 230V/50 Hz/1 Ph		

i1070C, iCVD1095, iCVD1195 Indigo

I1070C EVAPORATOR COMPARTMENT - COMMON COMPONENTS



i1070C, iCVD1095, iCVD1195 Indigo

I1070C EVAPORATOR COMPARTMENT - COMMON COMPONENTS

#	PART #	DESCRIPTION	QTY	Note
1		Evaporator Assembly		
1a	7602283	Evaporator - Dice Cube		
1b	7602273	Evaporator - Half Dice Cube		
2		Water Pump		
2a	8252269	Water Pump - 115V/60 Hz		
2b	8252709	Water Pump - 230V/50-60 Hz		
2c	000010244	Water Pump Mount		
3	000007052	Water Level Probe		
3a	000007724	Wire - Control Box to Water Level Probe		
3b	000007053	Water Level Probe - Holder		
3c	5202099	Screw - #10-24 x 0.50" PHIL		[1]
4	000008660	Ice Thickness Control Probe		
5	4010989	Water Curtain		[2]
6	7602193	Water Distribution Tube - 30" L		
6a	5004649	O-Rings		[3]
7		Water Trough - See Note for Serial Break		
7a	4003609	Water Trough		[4]
7b	000010337	Water Trough		[5]
8	000009055	Foodzone Seal Panel		
9	4008469	Evaporator Top Filler Panel		
9a	6063339	Bracket - Top Filler Panel		
9b	5202099	Screw - #10-24 x 0.50" PHIL		
10	7602203	Evaporator Top Frame Assembly		
11	7602213	Water Diverter - 30" Models		
11a	5305123	Thumbscrew SS - #8-32 x 0.44"		
12	000006728	LCD Display		
13	000007926	Touch Pad with Housing		
14	000007737	LCD Wiring Harness - 30" Long		
15	000006697	Touch Pad/Housing Mounting Bracket		
16		Front Panel LCD Frame		
16a	000006647	LCD Frame with Key Guard		
16b	000006564	LCD Frame without Key Guard		
16c	K00433	Display Cover		[6]
17	000006700	Ice Deflector		
18	5004799	Thumbscrew SS - #8-32 x 0.375"		[7]
18a	5004629	O-Ring - 0.125" ID		
19	5004619	Screw - #12-16 x 0.687"		
20	5004659	Water Pump Base O-Ring - 4.00" ID		
21	5004679	Water Pump Outlet O-Ring - 0.875" ID		

PART NOTES:

- [1] - Mount Water Level Probe Holder
- [2] - Not shown
- [3] - Back of Distribution Assembly

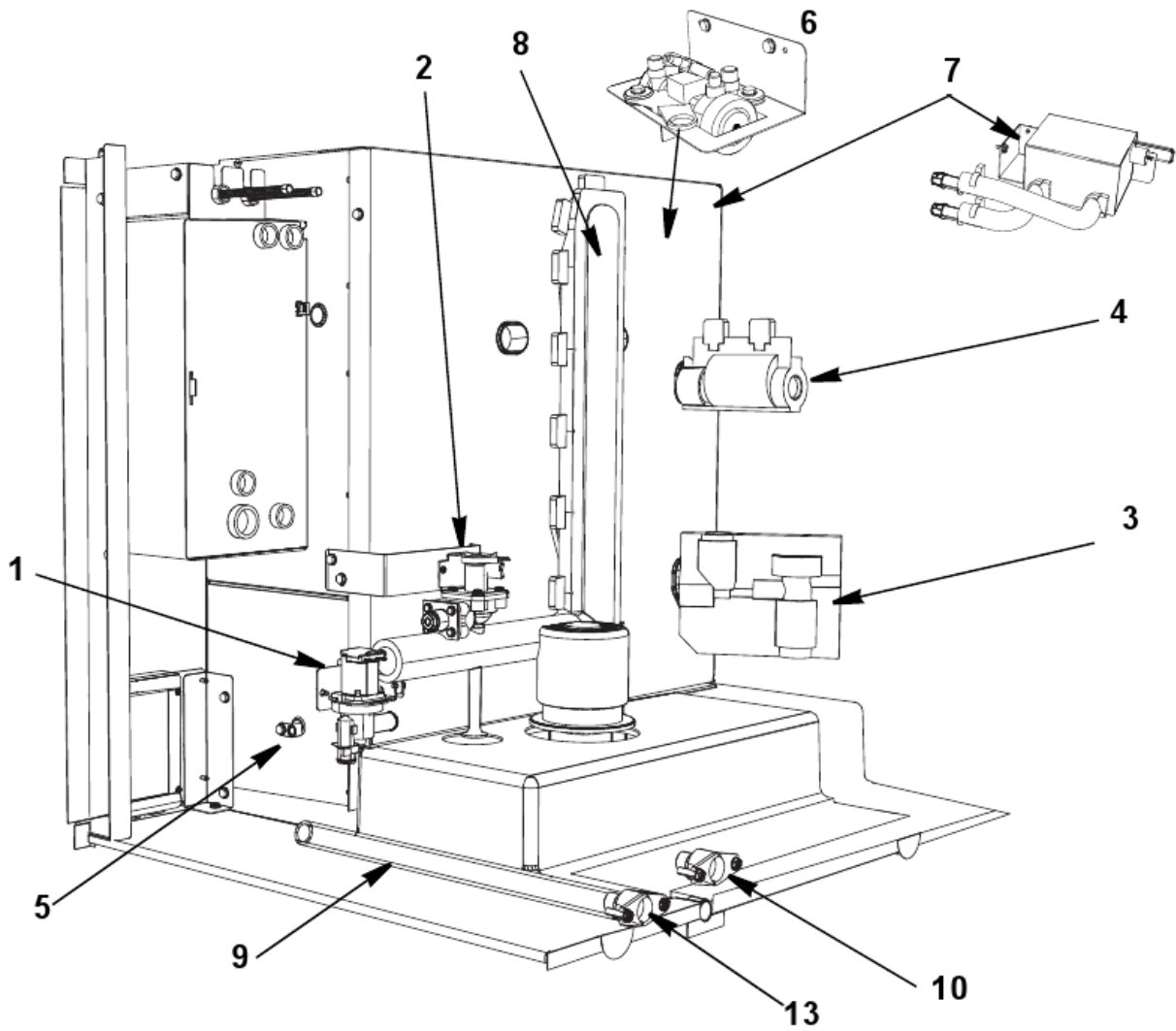
I1070C EVAPORATOR COMPARTMENT - COMMON COMPONENTS

PART NOTES:

- [4] - Before Serial Number 1101224319
 \water trough.jpg" width=313 height=169>
- [5] - After Serial Number 1101224319
 \water trough with tabs.jpg" width=355 height=194>
- [6] - hides the display completely
- [7] - Water Distribution Tube Mounting Each

i1070C, iCVD1095, iCVD1195 Indigo

I1070C REFRIGERATION COMPARTMENT - COMMON COMPONENTS VIEW 1



i1070C, iCVD1095, iCVD1195 Indigo

I1070C REFRIGERATION COMPARTMENT - COMMON COMPONENTS VIEW 1

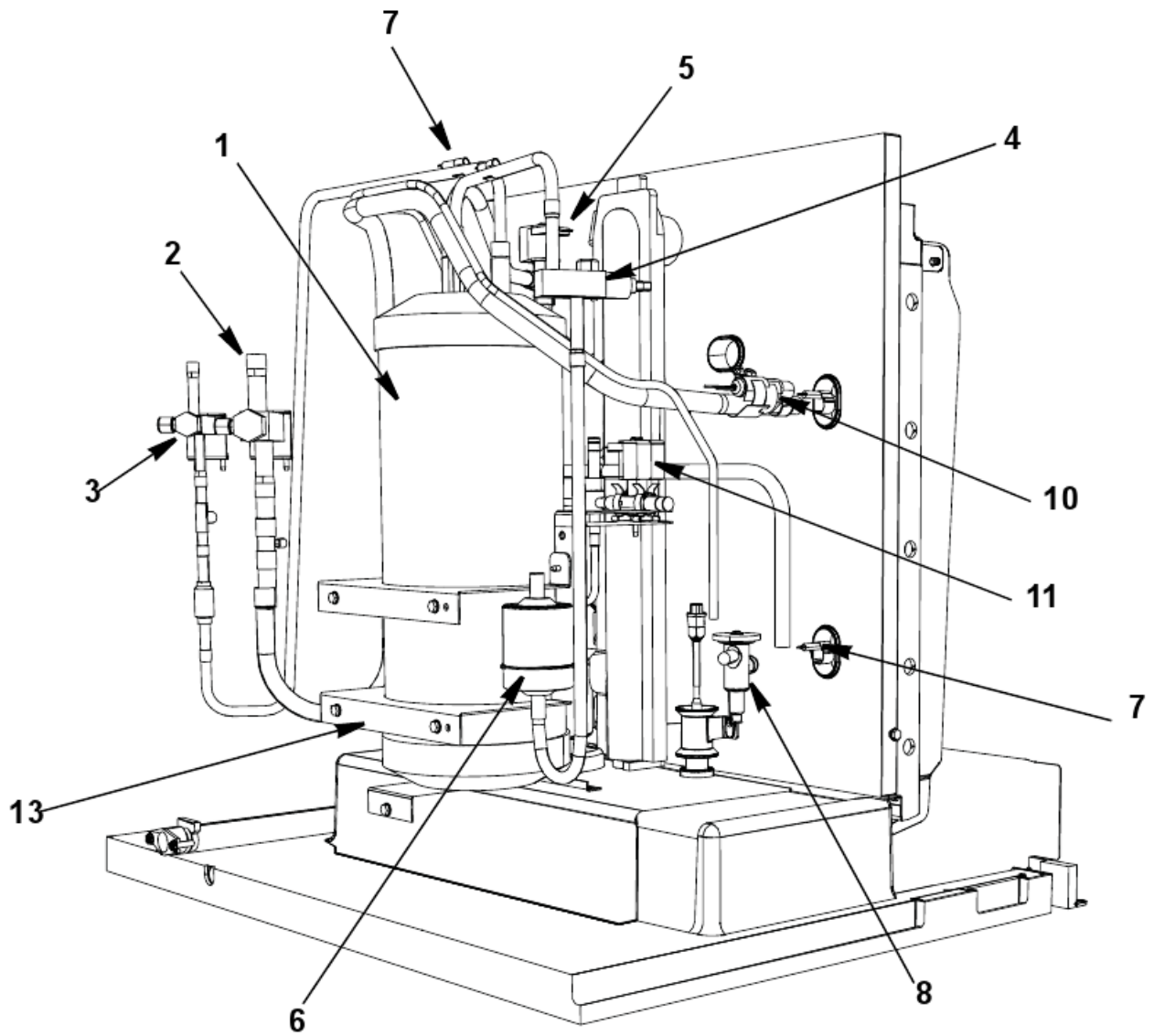
#	PART #	DESCRIPTION	QTY	Note
1		Water Dump Valve		[1]
1a	000001767	Water Dump Valve - 115V/60 Hz		
1b	000001768	Water Dump Valve - 208-230V/50-60 Hz		
1c	6058459	Water Dump Valve Mounting Bracket		
1d	4420383	Clear Tubing - 0.625" ID		
2		Water Inlet Valve with Bracket		
2a	000009123	Water Inlet Valve - 115V/60 Hz/1 Ph		
2b	000009122	Water Inlet Valve - 208-230V/50-60 Hz		
3	4000363	Valve Insulation Boot - Body		[2]
4	4007203	Valve Insulation Boot - Bulb		[3]
5	000007888	Magnetic Bin Switch		
5a	000007410	Bin Switch Wiring Harness		
6		Air Assist		
6a	000007222	Air Assist - 115V/60 Hz		
6b	000007223	Air Assist - 230V/50-60 Hz		
6c	4011739	Air Manifold		
6d	000006489	Air Assist Bracket		
6e	3001453	Air Assist - Nozzle		
7	K00424	LuminIce		
7a	K00425	LuminIce Bulb		
7b	000007409	LuminIce Wiring Harness		
7c	000007990	Bulkhead Fitting 2.25"		
7d	000008269	Bulkhead Fitting 2.75"		
8	000003406	Insulated Tube		[4]
8a	5650609	Snap Clamp - 1.0" ID		
8b	5650709	Snap Clamp - 0.799"/0.899" ID		
9	000001382	Vinyl Tubing 0.625" ID		[5]
9a	6038831	Insulation 0.88 ID X 0.25W X 13.50L		
9b	5650709	Snap Clamp - 0.799"/0.899" ID		
10	8706093	Female Wing Adapter - 0.375"		
10a	1360961	Male Connector		
11	4010439	Tubing - Water Inlet Valve		[6]
12	1360989	Connector - Water Inlet Valve		
13	8706133	Female Wing Adapter - 0.50"		
14	5202069	Screw - #10-24 x 0.50" HEX		

PART NOTES:

- [1] - with bracket
- [2] - \400036_05.jpg" width=2436 height=1463>
- [3] - \pages from 400720_08.jpg" width=923 height=583>
- [4] - vinyl tubing from distribution tube to water pump & dump valve
- [5] - dump valve to drain adapter
- [6] - \pages from 401043_05.jpg" width=1797 height=2238>

i1070C, iCVD1095, iCVD1195 Indigo

I1070C REFRIGERATION COMPARTMENT - COMMON COMPONENTS VIEW 2



i1070C, iCVD1095, iCVD1195 Indigo

I1070C REFRIGERATION COMPARTMENT - COMMON COMPONENTS VIEW 2

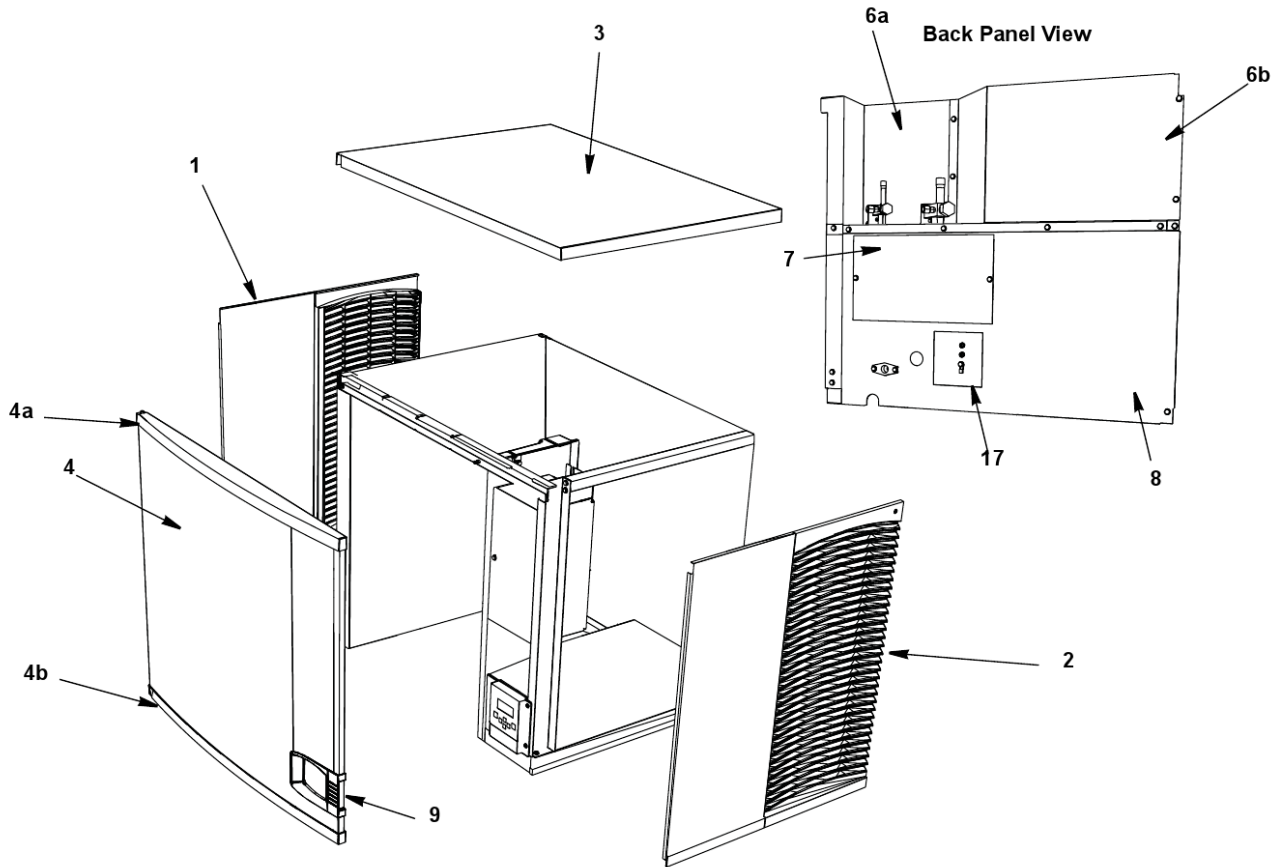
#	PART #	DESCRIPTION	QTY	Note
1	7629593	Receiver		
2	8373303	Manual Shut-off Valve - 0.625"		
2a	8373023	Valve Cap		
2b	4007403	Valve Insulation Boot - Body		[1]
2c	4007203	Valve Insulation Boot - Bulb		[2]
3	8373293	Manual Shut-off Valve - 0.375"		
3a	8373023	Valve Cap		
4	8373169	Receiver Service Valve		
4a	5650753	Caps for Refrigeration Service Valve		
5		Liquid Line Solenoid Valve		
5a	000007033	Solenoid Valve Including - 115V/60 Hz Electrical Coil		
5b	000005156	Danfoss Solenoid Valve Coil Only - 115V/60 Hz		[3]
5c	000007032	Solenoid Valve Including - 208-230V/50-60 Hz Electrical Coil		
5d	000005157	Danfoss Solenoid Valve Coil Only - 230V/50-60 Hz		[4]
6	8930279	Drier		
7	000008310	Thermistor with Spring Clips		
8	7602253	Expansion Valve		
9	5650529	Clamp - Expansion Valve Bulb		
10	3000503	Strap - Expansion Valve Bulb - 0.5"		
11		Harvest Valve		
11a	000007016	Solenoid Valve Including 115V/60 Hz Electrical Coil		
11b	000005156	Danfoss Solenoid Valve Coil Only - 115V/60 Hz		[3]
11c	000007015	Solenoid Valve Including - 208-230V/50-60 Hz Electrical Coil		
11d	000005157	Danfoss Solenoid Valve Coil Only - 230V/50-60 Hz		[4]
12	5650619	Screw Mounting Base		
13		Receiver Mounting		
13a	6000561	Receiver Mounting Bracket		[5]
13b	6307214	Receiver Mounting Strap		
13c	000006731	Receiver Mounting Support Bracket		
13d	6058659	Base, Water Condenser/Receiver		
13e	5202069	Screw - #10-24 x 0.50" HEX		

PART NOTES:

- [1] - \pages from 400740_02.jpg" width=362 height=281>
- [2] - \pages from 400720_08.jpg" width=923 height=583>
- [3] - \pages from 000005156_02.jpg" width=280 height=256>
- [4] - \pages from 000005156_02.jpg" width=266 height=183>
- [5] - between receiver and panel

i1070C, iCVD1095, iCVD1195 Indigo

I1070C HEAD SECTION - PANELS



i1070C, iCVD1095, iCVD1195 Indigo

I1070C HEAD SECTION - PANELS

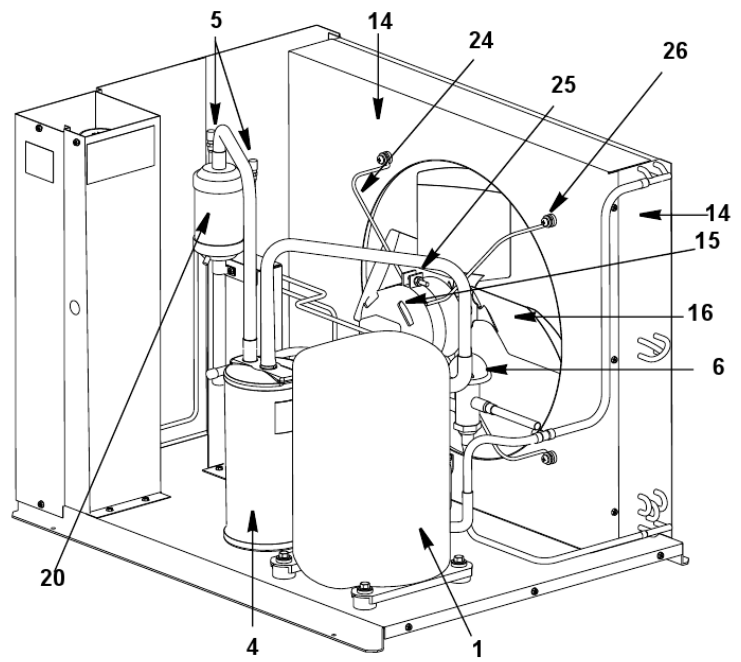
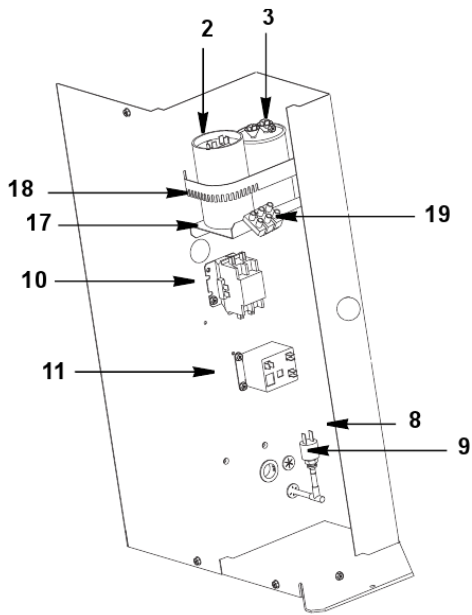
#	PART #	DESCRIPTION	QTY	Note
1	000005224	Left Side Panel		
2	000005222	Right Side Panel		
3	000006699	Top Cover		
4	000006578	Front Panel Assembly		
4a	000006538	Top Endcap		
4b	000006539	Bottom Endcap		
5	000010051	Front Top Support		
5a	5005379	Mounting Screw - #8-32 x 1.0" PHIL		
5b	5005099	Screw - #10-16 x 0.625"		
6		Top Back Panels		
6a	6062759	Top Back Panel - Left Side		
6b	6058679	Top Back Panel - Right Side		
7	6059689	Bottom Back Panel		
8	6062809	Coupling Panel		
9		Front Panel LCD Frame		
9a	000006647	LCD Frame with Key Guard		
9b	000006564	LCD Frame without Key Guard		
9c	K00433	Display Cover		[1]
10	5004899	Front Door Screw		
11	7602263	Bottom Door Frame		
11a	5005379	Mounting Screw - #8-32 x 1.0" PHIL		
11b	5202099	Screw - #10-24 x 0.50" PHIL		
12	3005579	Left Door Pivot Leaf Hinge		[2]
12a	5005379	Mounting Screw - #8-32 x 1.0" PHIL		
13		Left Corner Post - See Note for Serial Break		
13a	6068659	Left Corner Post		[3]
13b	000010300	Left Corner Post		[4]
14	6068649	Left Top Channel		
15		Right Corner Post - See Note for Serial Break		
15a	6061779	Right Corner Post		[3]
15b	000010683	Right Corner Post		[4]
16	6062579	Right Top Channel		
17		Electrical Box on Rear of Ice Machine		
17a	Included in Back Panel Assembly	Electrical Connection Box Cover		
17b	2006143	Terminal Block - 50 Hz - 3 Pole		
17c	5202169	Screw - #10-24 x 0.50" Ground		
18	7112359	Cartoning		

PART NOTES:

- [1] - hides the display completely
- [2] - Top or Bottom
- [3] - Before Serial Number 1101224319
- [4] - After Serial Number 1101224319

i1070C, iCVD1095, iCVD1195 Indigo

ICVD1095 CONDENSING UNIT - REFRIGERATION COMPONENTS



i1070C, iCVD1095, iCVD1195 Indigo

ICVD1095 CONDENSING UNIT - REFRIGERATION COMPONENTS

#	PART #	DESCRIPTION	QTY	Note
1		Compressor		
1a	7602223	Compressor - Copeland - 208-230V/60 Hz/1 Ph		
1b	7602243	Compressor - Copeland - 220-240V/50 Hz/ 1 Ph		
1c	7602233	Compressor - Copeland - 208-230V/60 Hz/3 Ph		
1d	2007619	Copeland Plug Assembly Wiring Harness, 230V/50-60Hz/1-3 Ph		
2		Start Capacitor		
2a	000006454	Start Capacitor - 50-60 Hz/1 Ph		
2b	8505513	Start Capacitor - 50-60 Hz/1 Ph		
3		Run Capacitor		
3a	8503933	Run Capacitor - 115-230V/50-60 Hz/1 Ph		
3b	2010133	Run Capacitor - 50 Hz		
4	000007281	Suction Accumulator		
5	8373253	Access Valve		
6	000001982	Head Pressure Control Valve		
7	000001289	Check Valve		
8	2001263	Fan Cycling Control - 200-250 psig		[1]
9	2001243	HPCO		
10		Contactora		
10a	000007597	Contactora - 50-60 Hz/1 Ph - 24 Volt Coil		
11	2007539	Start Potential Relay - 230V/50-60 Hz/1 Ph		
12	2002229	Low Pressure Cut-out		
13	000007581	Transformer		
14	8851453	Air-cooled Condenser		
15		Fan Motor		
15a	000003031	Fan Motor - 208-230V/60 Hz/1-3 Ph		
15b	000003032	Fan Motor - 208-230V/50 Hz/1 Ph		
16	2416303	Fan Blade		
17	6034981	Capacitor Mounting Bracket		
18	6021601	Capacitor Mounting Strap		
19		Terminal Block		
19a	000009929	Terminal Block - 60 Hz with Wiring Harness		
19b	2006143	Terminal Block - 50 Hz - 3 Pole		
20	8250539	Suction Line Filter		
20a	000006484	Suction Line Filter Bracket		
21		Wiring Harness		
21a	000007741	Wiring Harness - 230V/60 Hz/1 Ph		
21b	000007740	Wiring Harness - 230V/50 Hz/1 Ph		
22		Compressor Mounting		
22a	8503069	Mounting - Rubber Grommet		
22b	8503949	Mounting - Sleeve		
22c	5004819	Compressor Mounting - Bolt		
22d	5004829	Compressor Mounting - Nut		
23	6037041	Fan Shroud		
24	3006823	Fan Motor Mounting Bracket		
25	5033589	Mounting - Screw		

i1070C, iCVD1095, iCVD1195 Indigo

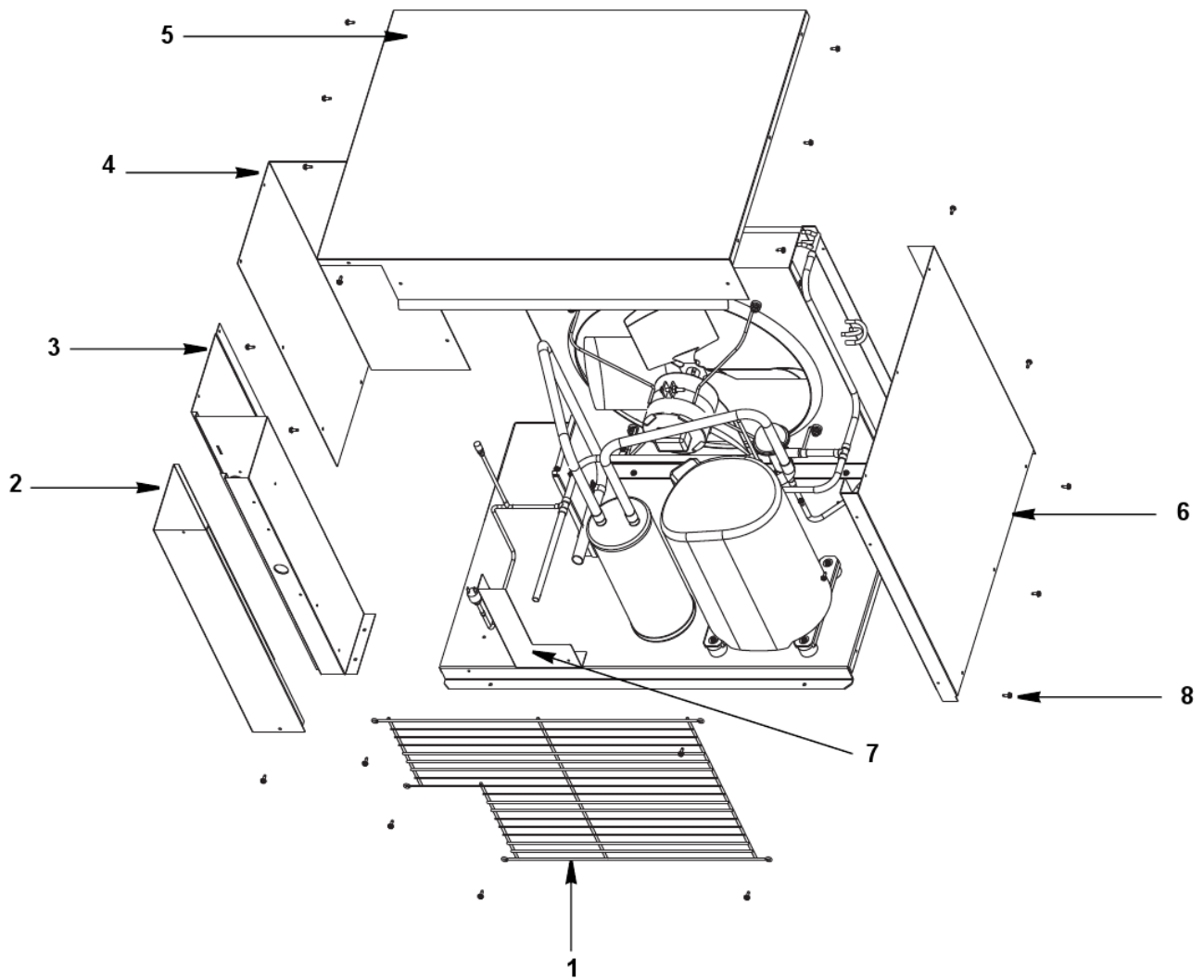
ICVD1095 CONDENSING UNIT - REFRIGERATION COMPONENTS

#	PART #	DESCRIPTION	QTY	Note
25a	5545119	Mounting - Lockwasher		
25b	5429529	Mounting - Hexnut		
26	5033589	Mounting - Screw		
26a	5545119	Mounting - Lockwasher		
26b	5573059	Mounting - Flatwasher		
26c	5429559	Mounting - Rubber Wellnut		

PART NOTES:

[1] - \pages from 200126_09.jpg" width=150 height=306>

ICVD1095 CONDENSING UNIT - PANELS



i1070C, iCVD1095, iCVD1195 Indigo

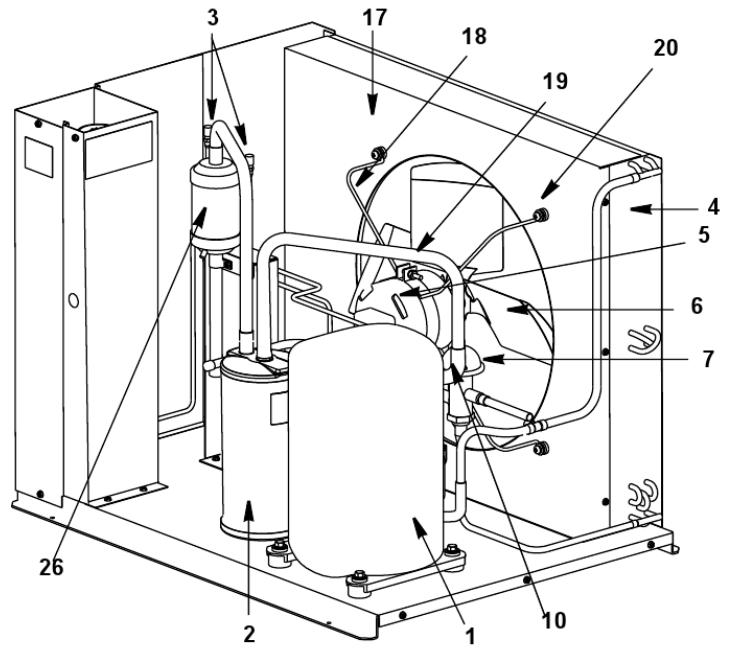
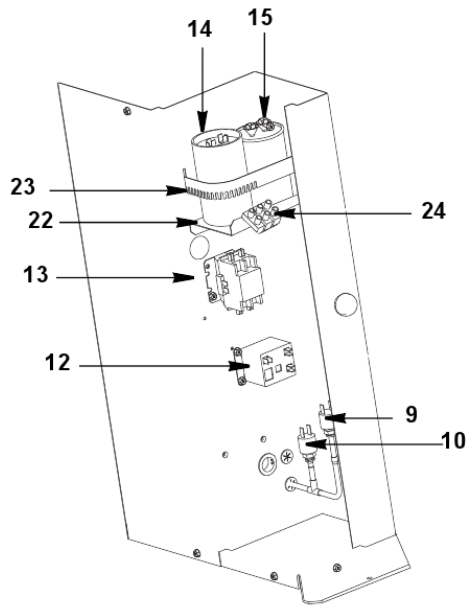
ICVD1095 CONDENSING UNIT - PANELS

#	PART #	DESCRIPTION	QTY	Note
1	3406893	Condenser Fan Guard		
2	6040171	Control Box Cover		
3	000006035	Control Box Panel		
4	6037051	Left Side Panel		
5	6034751	Cover Top		
6	6034701	Right Side Panel		
7	6042261	Condensing Unit Tube Shield		
8	5202069	Screw - #10-24 x 0.50" HEX		
9	5202069	Screw - #10-24 x 0.50" HEX		[1]
10	000000768	Cartoning		

PART NOTES:

[1] - Used for Panel Attachment

ICVD1195 CONDENSING UNIT - REFRIGERATION COMPONENTS



i1070C, iCVD1095, iCVD1195 Indigo

ICVD1195 CONDENSING UNIT - REFRIGERATION COMPONENTS

#	PART #	DESCRIPTION	QTY	Note
		NOTE: Verify your condensing unit model prior to ordering parts.		
1		Compressor		
1a	000007748	Compressor - Bristol - 208-230V/60 Hz/1 Ph		
1b	000007749	Compressor - Bristol - 208-230V/60 Hz/3 Ph		
2	000007281	Suction Accumulator		
3	8373253	Access Valve		
4	8851393	Air-cooled Condenser		
5		Fan Motor		
5a	2000189	Fan Motor - 208-230V/60 Hz/1-3 Ph		
6	2416113	Fan Blade		
7	000001982	Head Pressure Control Valve		
8	000001289	Check Valve		
9	2001263	Fan Cycling Control - 200-250 psig		[1]
10	2001243	HPCO		
11	2002229	Low Pressure Cut-out		
12		Start Relay		
12a	000007761	Start Potential Relay - 60 Hz/1 Ph		
13		Contactors		
13a	000007597	Contactors - 50-60 Hz/1 Ph - 24 Volt Coil		
13b	000007598	Contactors - 60 Hz/3 Ph - 24 Volt Coil		
14		Start Capacitor		
14a	000006454	Start Capacitor - 50-60 Hz/1 Ph		
15		Run Capacitor		
15a	8503933	Run Capacitor - 115-230V/50-60 Hz/1 Ph		
16	000007581	Transformer		
17	6034491	Fan Shroud		
18	3006823	Fan Motor Mounting Bracket		
19	5033589	Mounting - Screw		
19a	5545119	Mounting - Lockwasher		
19b	5429529	Mounting - Hexnut		
20	5032389	Mounting - Screw		
20a	5545119	Mounting - Lockwasher		
20b	5573059	Mounting - Flatwasher		
20c	5429559	Mounting - Rubber Wellnut		
21	5202069	Screw - #10-24 x 0.50" HEX		[2]
22	6034981	Capacitor Mounting Bracket		
23	6021601	Capacitor Mounting Strap		
24		Terminal Block		
24a	000009929	Terminal Block - 60 Hz with Wiring Harness		
25	5202169	Screw - #10-24 x 0.50" Ground		
26	8250549	Suction Line Filter		
26a	000006484	Suction Line Filter Bracket		
27	000003447	Molded Plug		
28		Wiring Harness		
28a	000007741	Wiring Harness - 230V/60 Hz/1 Ph		

i1070C, iCVD1095, iCVD1195 Indigo

ICVD1195 CONDENSING UNIT - REFRIGERATION COMPONENTS

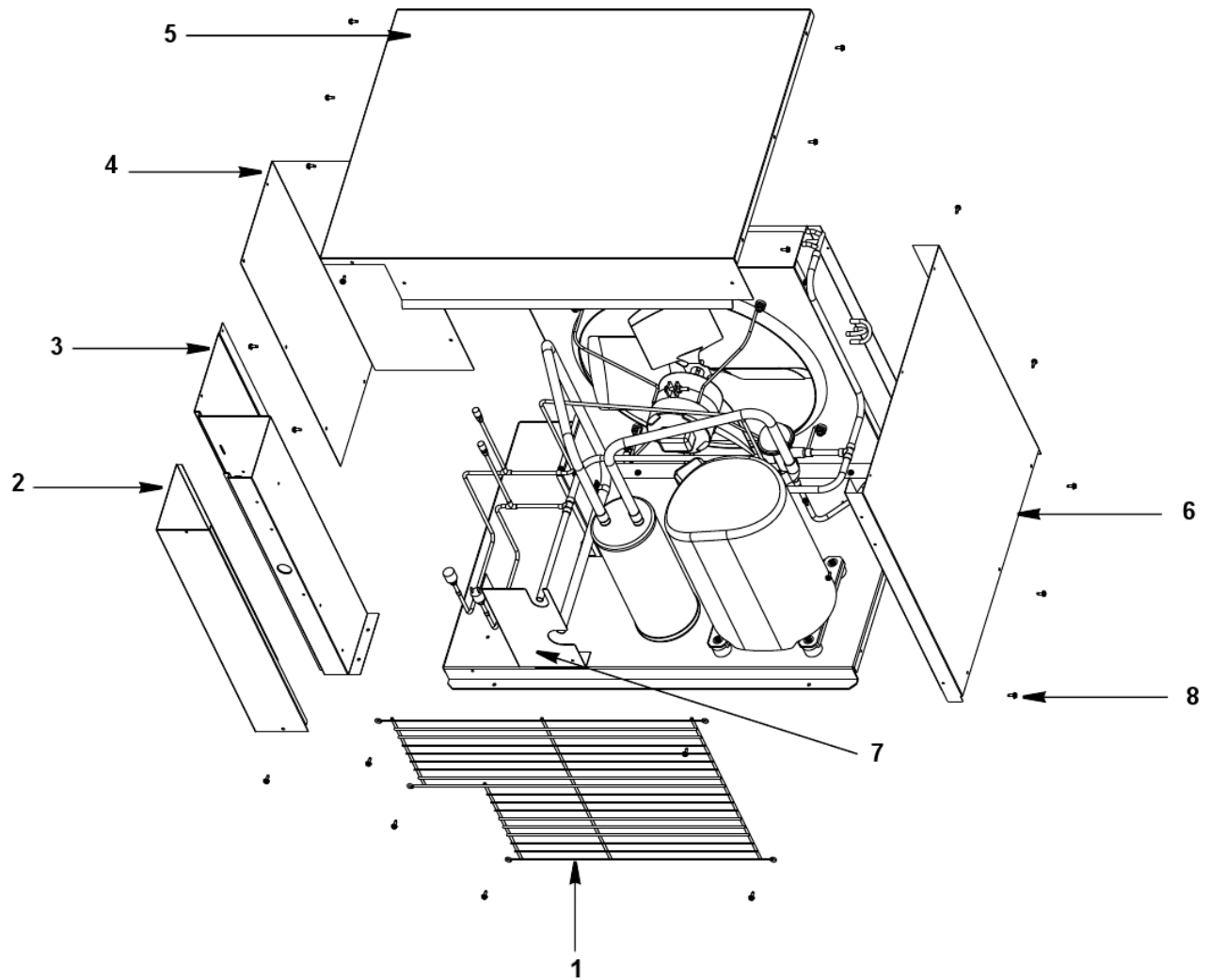
#	PART #	DESCRIPTION	QTY	Note
28b	000007747	Wiring Harness - 230V/60 Hz/3 Ph		

PART NOTES:

- [1] - \pages from 200126_09.jpg" width=150 height=306>
- [2] - Used for Panel Attachment - Not shown

i1070C, iCVD1095, iCVD1195 Indigo

ICVD1195 CONDENSING UNIT PANELS



i1070C, iCVD1095, iCVD1195 Indigo

ICVD1195 CONDENSING UNIT PANELS

#	PART #	DESCRIPTION	QTY	Note
1	3406893	Condenser Fan Guard		
2	6040171	Control Box Cover		
3	000006035	Control Box Panel		
4	6037291	Left Side Panel		
5	6034751	Cover Top		
6	6034701	Right Side Panel		
7	6042261	Condensing Unit Tube Shield		
8	5202069	Screw - #10-24 x 0.50" HEX		
9	000000768	Cartoning		