



***Manitowoc***  
**Foodservice**  
**Parts Manual**

For more Parts Information:

<https://manitowocfsg.sysonline.com/Default.aspx>

# TABLE OF CONTENTS

Manitowoc Foodservice [Updated: Sep. 30, 2013]

Manitowoc - Ice & Related

Parts Catalog

Ice Machine

Indigo Series

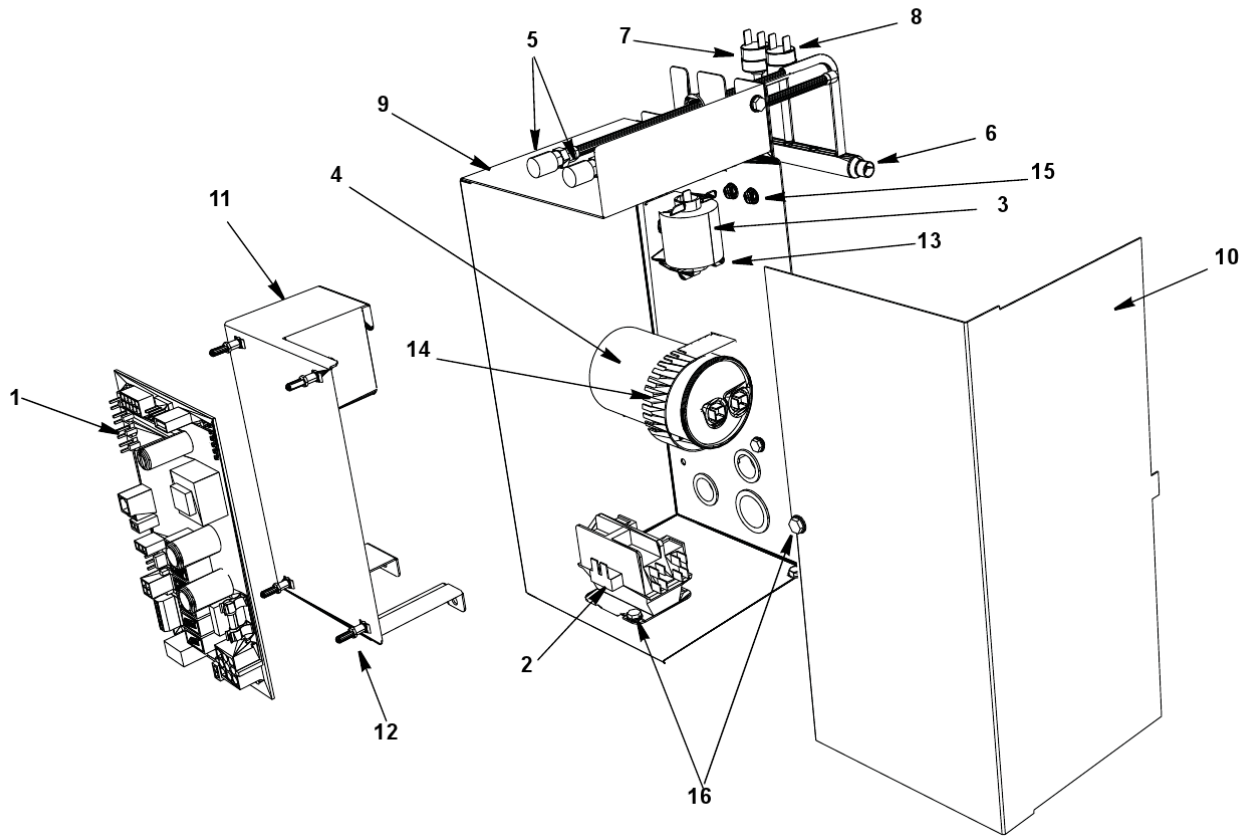
Indigo Model - Prison

i1400P, JC1395 Indigo

i1400P Control Box.....	1
i1400P Evaporator Compartment - Common Components.....	4
i1400P Refrigeration Components - Common Components.....	6
i1400P Refrigeration Compartment - Air-cooled.....	9
i1400P Refrigeration Compartment – Water-cooled.....	11
i1400P Refrigeration Compartment - Remote.....	13
i1400P Panels.....	15
JC1395 Remote Condenser.....	17

# i1400P, JC1395 Indigo

## I1400P CONTROL BOX



# i1400P, JC1395 Indigo

## I1400P CONTROL BOX

#	PART #	DESCRIPTION	QTY	Note
1	000008309	Control Board		
1a	000009181	8 amp Ceramic Fuse - Mounted on Control Board		
2		Contactora		
2a	2009089	Contactora - 208-230V/50-60 Hz/1 Ph		
2b	2006619	Contactora - 230V/60 Hz/3 Ph		
2c	2009089	Contactora - 208-230V/50-60 Hz/1 Ph		
3	8504913	PTCR		
4		Compressor Run Capacitor		
4a	000000028	Run Capacitor - 208-230V/50-60 Hz/1 Ph		
4b	000005488	Run Capacitor - 115-230V/50-60 Hz/1 Ph		
5		Refrigeration Service Valve Assembly		
5a	8373253	Access Valve		
5b	8373263	Refrigeration Service Valve Assembly		
6	8253579	Manifold Strainer		
6a	6058571	Bracket		
7	2001243	High Pressure Cut-out Control		
8	2001273	Fan Cycling Control - 225-275 psig		[1]
9	000008279	Control Box		
10	000010422	Control Box Cover		
11	000007564	Control Board Mounting Bracket		
12	4302253	Control Board Mounting Supports		
13	8504953	PTCR Bracket		
14	6033131	Capacitor Mounting Bracket		
15	5202169	Screw - #10-24 x 0.50" Ground		
16a	5573209	Star Washer		
16	5202069	Screw - #10-24 x 0.50" HEX		
17	5573209	Star Washer		
18		Control Box Bushings		
18a	2500019	Bushing - 1.187"		
18b	2501409	Bushing - 0.875"		
19		Control Box Wiring Harness		
19a	000007752	Control Box Wiring Harness - 230V/60 Hz/1 Ph		
19b	2008979	Control Box Wiring Harness - 230V/60 Hz/3 Ph		
19c	000007753	Control Box Wiring Harness - 230V/50 Hz/1 Ph		
19d	000008020	Control Box Wiring Harness - 460V/60 Hz/3 Ph		
20		Compressor Compartment Wiring Harness		
20a	000008257	Compressor Compartment Wiring Harness Air-cooled		
20b	000008258	Compressor Compartment Wiring Harness Water-cooled		
20c	000008259	Compressor Compartment Wiring Harness Remote Air-cooled		
21		Electrical Noise Filter Wiring Harness		
21a	000005500	Electrical Noise Filter Wiring Harness		

# i1400P, JC1395 Indigo

## I1400P CONTROL BOX

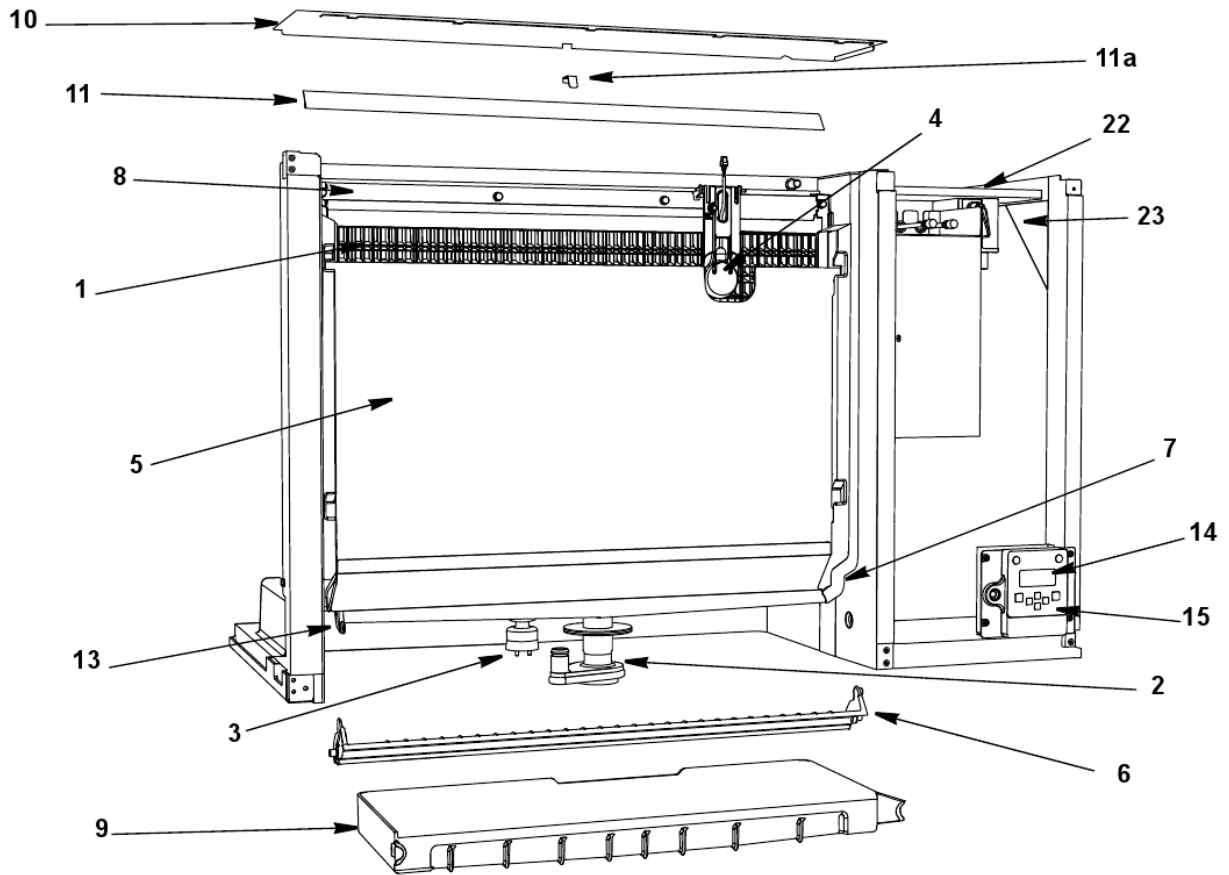
#	PART #	DESCRIPTION	QTY	Note
---	--------	-------------	-----	------

**PART NOTES:**

[1] - \pages from 200126\_09.jpg" width=170 height=228>

# i1400P, JC1395 Indigo

## I1400P EVAPORATOR COMPARTMENT - COMMON COMPONENTS



# i1400P, JC1395 Indigo

## I1400P EVAPORATOR COMPARTMENT - COMMON COMPONENTS

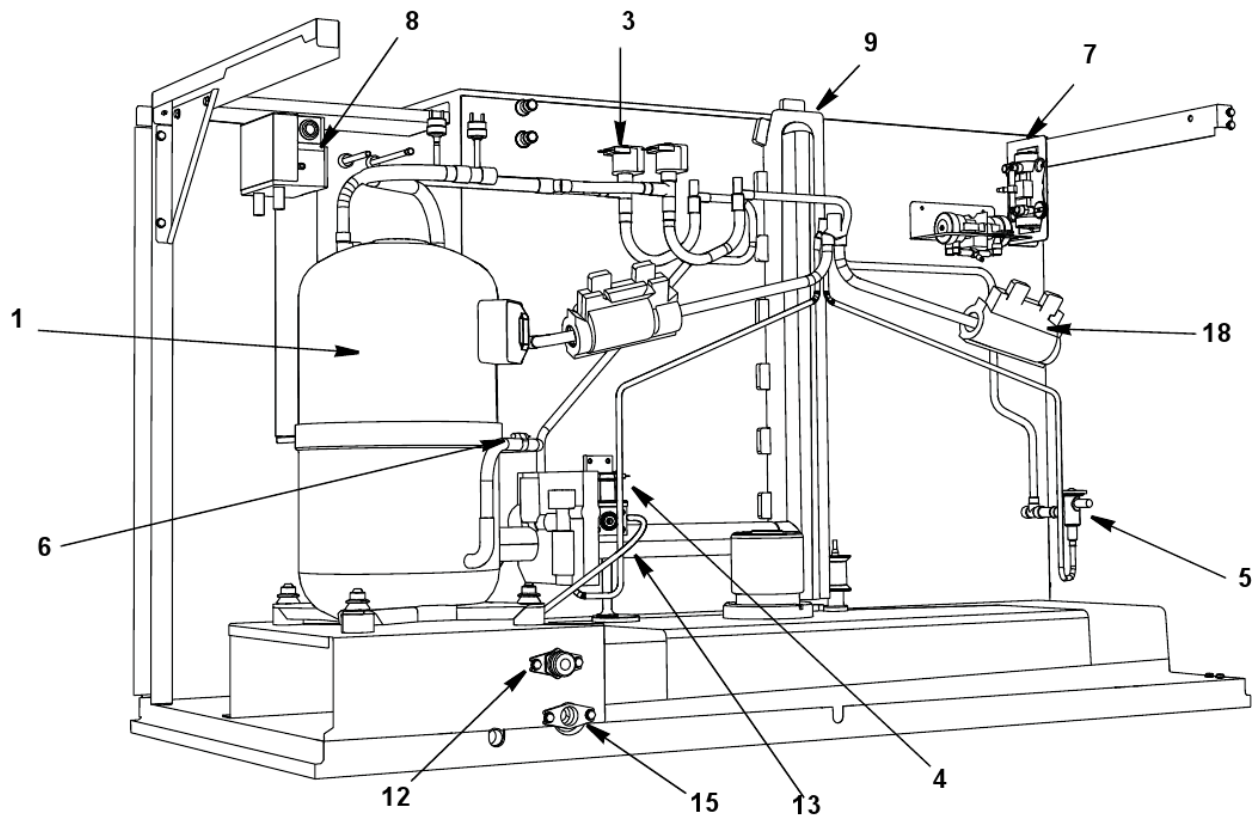
#	PART #	DESCRIPTION	QTY	Note
1		Evaporator Assembly		
1a	000010423	Evaporator - Dice Cube		
1b	000010424	Evaporator - Half Dice Cube		
2		Water Pump		
2a	8252109	Water Pump - 230V/50-60 Hz		[1]
2b	2007389	Water Pump - 230V/50 Hz		
3	000007052	Water Level Probe		
3a	000007724	Wire - Control Box to Water Level Probe		
3b	000007053	Water Level Probe - Holder		
3c	5202099	Screw - #10-24 x 0.50" PHIL		[2]
4	000008660	Ice Thickness Control Probe		
5	000010428	Splash Shield Assembly		
6	000008110	Ice Damper Assembly		
7	000007888	Magnetic Bin Switch		
7a	000007410	Bin Switch Wiring Harness		
8	7603193	Water Distribution Tube - 48" Models		
8a	5004649	O-Rings		[3]
9	000009112	Water Trough		
10	000008253	Foodzone Seal Panel		
11	000008805	Evaporator Top Filler Panel		
11a	000008847	Stainless Steel Clamp		
11b	5202099	Screw - #10-24 x 0.50" PHIL		
12	000010430	Evaporator Top Frame Assembly		
13	000010431	Evaporator Bottom Frame Assembly		
14	000006728	LCD Display		
15	000007926	Touch Pad with Housing		
16	000007737	LCD Wiring Harness - 30" Long		
17	000008788	Touch Pad/Housing Mounting Bracket		
18	5004799	Thumbscrew SS - #8-32 x 0.375"		[4]
18a	5004629	O-Ring - 0.125" ID		
19	5004619	Screw - #12-16 x 0.687"		
20	5004659	Water Pump Base O-Ring - 4.00" ID		
21	5004679	Water Pump Outlet O-Ring - 0.875" ID		
22	000008710	Support Bracket		
23	000008712	Angled Support Bracket		

### PART NOTES:

- [1] - 60 Hz
- [2] - Mount Water Level Probe Holder
- [3] - Back of Distribution Assembly
- [4] - Water Distribution Tube Mounting

# i1400P, JC1395 Indigo

## I1400P REFRIGERATION COMPONENTS - COMMON COMPONENTS



# i1400P, JC1395 Indigo

## I1400P REFRIGERATION COMPONENTS - COMMON COMPONENTS

#	PART #	DESCRIPTION	QTY	Note
1		Compressor		
1a	000008441	Compressor - Bristol - 208-230V/60 Hz/1 Ph		
1b	000008442	Compressor - Bristol - 208-230V/60 Hz/3 Ph		
1c	000008443	Compressor - Bristol - 230V/50 Hz/1 Ph		
1d	000008444	Compressor - Bristol - 460V/60 Hz/3 Ph		
1e	000005176	Compressor Molded Plug Wiring Harness		
2		Water Dump Valve		[1]
2a	000001768	Water Dump Valve - 208-230V/50-60 Hz		
2b	6058459	Water Dump Valve Mounting Bracket		
2c	4420383	Clear Tubing - 0.625" ID		
3		Harvest Valve		
3a	000007017	Solenoid Valve Including 208-230V/50-60 Hz Electrical Coil		
3b	000005157	Danfoss Solenoid Valve Coil Only - 230V/50-60 Hz		[2]
4		Water Inlet Valve		
4a	000007966	Water Inlet Valve - 208-230V/50-60 Hz		
4b	000008582	Water Inlet Valve Bracket		
5	7603243	Expansion Valve		
5a	4013299	Valve Insulation Boot - Body		
5b	000002719	Valve Insulation Boot - Bulb		
6	000008310	Thermistor with Spring Clips		
7		Air Assist		
7a	000007223	Air Assist - 230V/50-60 Hz		
7b	4011739	Air Manifold		[3]
7c	000006489	Air Assist Bracket		
7d	3001453	Air Assist Nozzle		
8	K00434	LuminIce		
8a	K00425	LuminIce Bulb		
8b	000007409	LuminIce Wiring Harness		
8c	000007990	Bulkhead Fitting 2.25"		
8d	000008269	Bulkhead Fitting 2.75"		
9	000003407	Insulated Tube		[4]
9a	5650609	Snap Clamp - 1.0" ID		
9b	5650709	Snap Clamp - 0.799"/0.899" ID		
10	000001382	Vinyl Tubing 0.625" ID		[5]
10a	6038831	Insulation 0.88 ID X 0.25W X 13.50L		
10b	5650709	Snap Clamp - 0.799"/0.899" ID		
11	000009316	Heat Exchanger		
12	8706093	Female Wing Adapter - 0.375"		
12a	1360961	Male Connector		
13	4010439	Tubing - Water Inlet Valve		[6]
14	1360989	Connector - Water Inlet Valve		
15	8706133	Female Wing Adapter - 0.50"		

# i1400P, JC1395 Indigo

## I1400P REFRIGERATION COMPONENTS - COMMON COMPONENTS

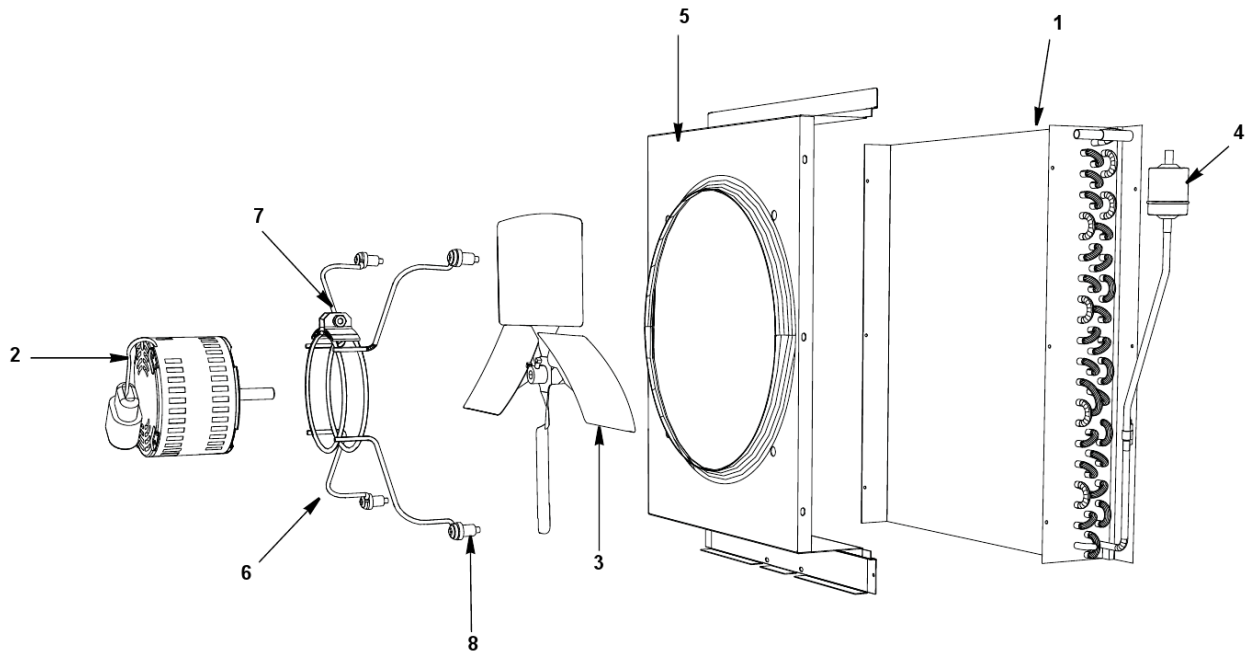
#	PART #	DESCRIPTION	QTY	Note
16		Compressor Mounting		
16a	6065909	Compressor Mounting Base		
16b	8503069	Mounting - Rubber Grommet		
16c	8503949	Mounting - Sleeve		
16d	5004819	Compressor Mounting - Bolt		
16e	5004829	Compressor Mounting - Nut		
17	5650529	Clamp - Expansion Valve Bulb		
18	3000503	Strap - Expansion Valve Bulb - 0.5"		
19	5202069	Screw - #10-24 x 0.50" HEX		

### PART NOTES:

- [1] - with bracket
- [2] - \pages from 000005156\_02.jpg" width=266 height=183>
- [3] - Air Pump Tubing Outlet
- [4] - vinyl tubing from distribution tube to water pump & dump valve
- [5] - dump valve to drain adapter
- [6] - \pages from 401043\_05.jpg" width=1797 height=2238>

# i1400P, JC1395 Indigo

## I1400P REFRIGERATION COMPARTMENT - AIR-COOLED



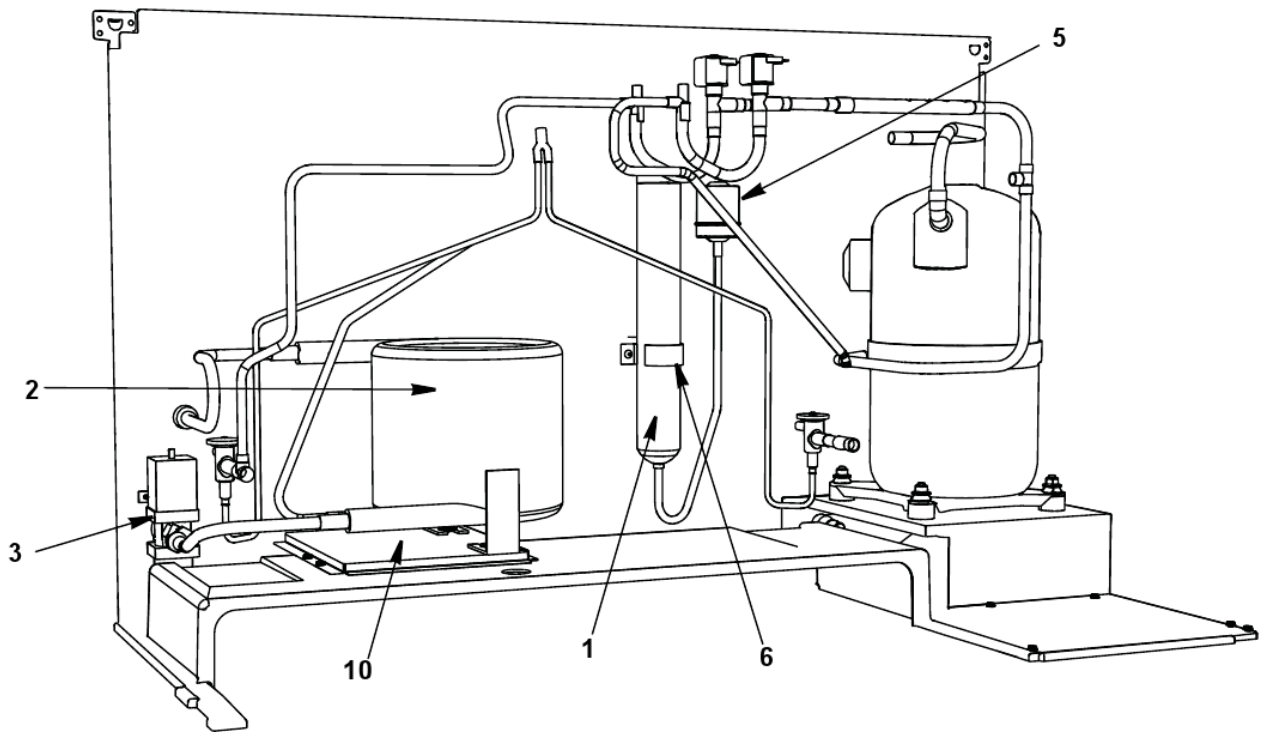
# i1400P, JC1395 Indigo

## I1400P REFRIGERATION COMPARTMENT - AIR-COOLED

#	PART #	DESCRIPTION	QTY	Note
1	8851283	Air Condenser		
2	7626733	Fan Motor - 208-230V/50-60 Hz		
3	2416113	Fan Blade		
4	8930279	Drier		
5	6068499	Fan Shroud		
6	3006823	Fan Motor Mounting Bracket		
7		Fan Motor Mounting		
7a	5033589	Mounting - Screw		
7b	5545109	Lockwasher		
7c	5429529	Mounting - Hexnut		
8		Fan Bracket Mounting		
8a	5032389	Fan Bracket Mounting Screw		
8b	5545109	Lockwasher		
8c	5573059	Mounting - Flatwasher		
8d	5429559	Mounting - Rubber Wellnut		
9	5202069	Screw - #10-24 x 0.50" HEX		

# i1400P, JC1395 Indigo

## I1400P REFRIGERATION COMPARTMENT – WATER-COOLED



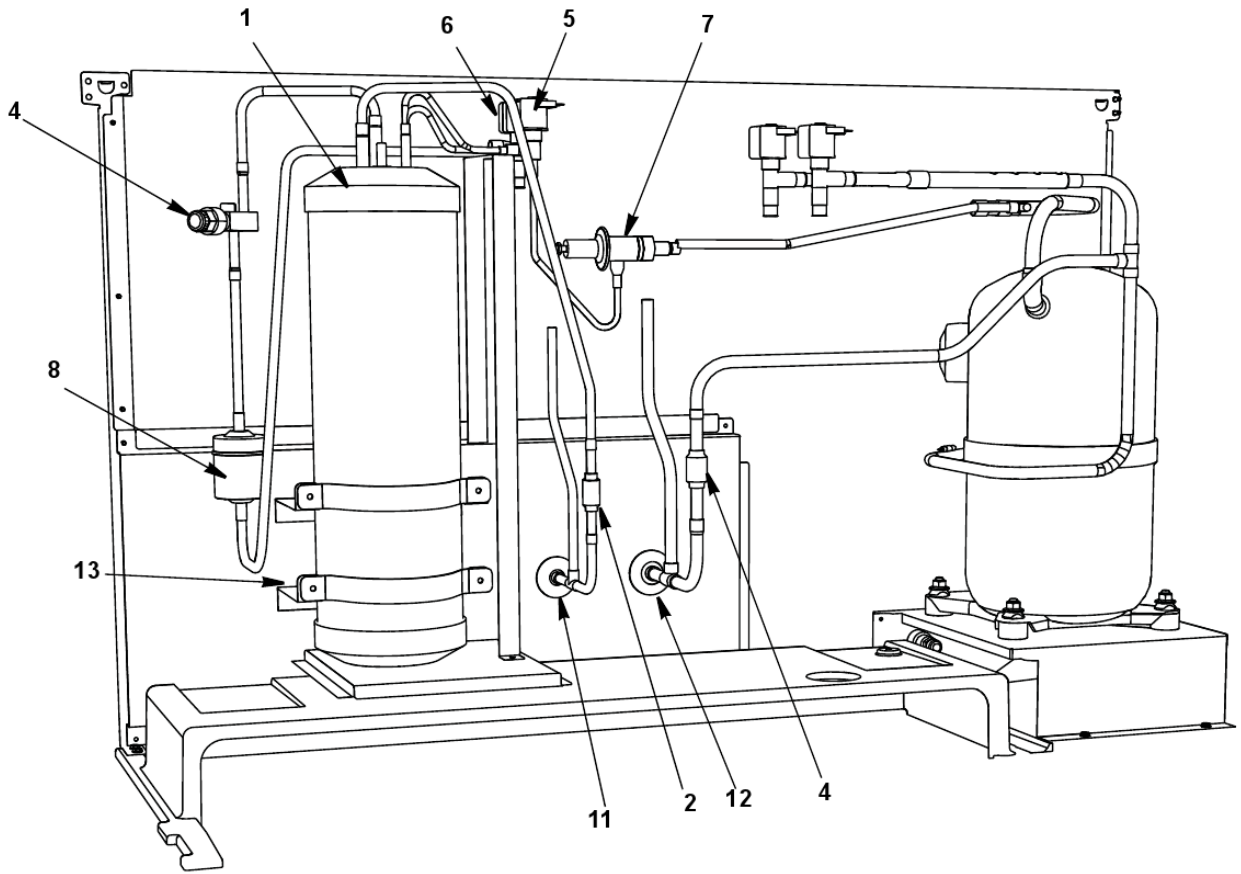
# i1400P, JC1395 Indigo

## I1400P REFRIGERATION COMPARTMENT – WATER-COOLED

#	PART #	DESCRIPTION	QTY	Note
1	000008894	Receiver		
2	000001508	Water-Cooled Condenser		
3	8372123	Water Regulating Valve		
4	8706083	Female Wing Adapter - 0.50"		
5	8930279	Drier		
6	6000541	Receiver Strap		
7	5002249	Elbow 1/2 MF x 3/8 MPT		
8	5202069	Screw - #10-24 x 0.50" HEX		
9	5573419	Washer		
10	6066849	Base		

# i1400P, JC1395 Indigo

## I1400P REFRIGERATION COMPARTMENT - REMOTE



# i1400P, JC1395 Indigo

## I1400P REFRIGERATION COMPARTMENT - REMOTE

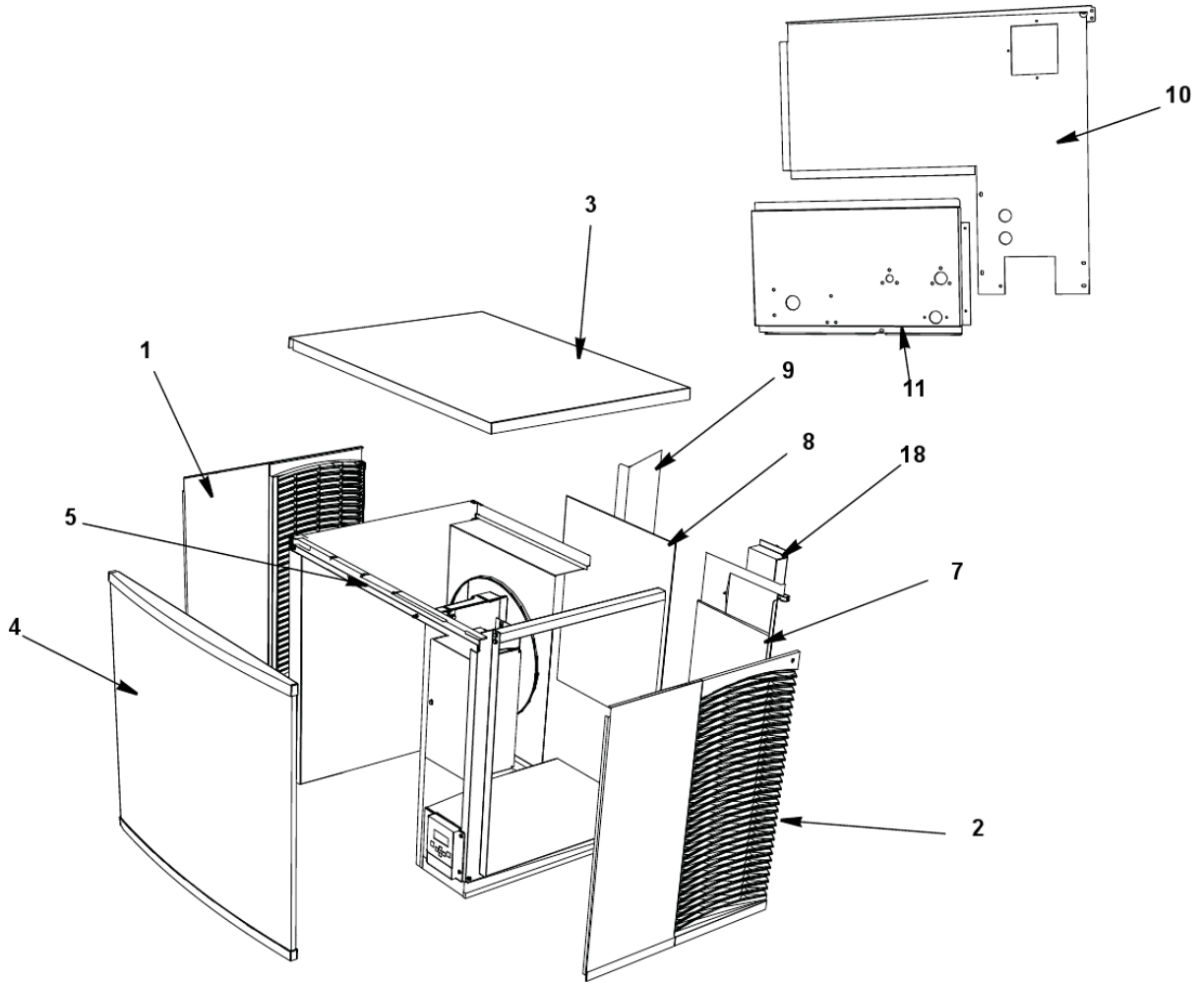
#	PART #	DESCRIPTION	QTY	Note
1	7629583	Receiver		
2	8373149	Magni-Check Valve - 0.375"		
3	8373159	Magni-Check Valve - 0.5"		
4	8373169	Receiver Service Valve		
4a	5650759	Cap for Refrigeration Service Valve		
5		Harvest Pressure Regulating Solenoid Valve		
5a	000007034	Solenoid Valve Including 208-230V/50-60 Hz Electrical Coil		
5b	000005157	Danfoss Solenoid Valve Coil Only - 230V/50-60 Hz		[1]
6		Liquid Line Solenoid Valve		
6a	000007026	Solenoid Valve with Electrical Coil - 208-230V/50 Hz		
6b	000005157	Danfoss Solenoid Valve Coil Only - 230V/50-60 Hz		[1]
7	8367793	Harvest Pressure Regulating Valve		
8	8930279	Drier		
9	8360343	Coupling - Male - 5/8-18		
10	8360353	Coupling - Male - 1-1/6-12		
11	8360053	Coupling Mounting Flange for 5/8-18		
12	8360063	Coupling Mounting Flange for 1-1/16-12		
13		Receiver Mounting		
13a	6000561	Receiver Mounting Bracket		
13b	6307214	Receiver Mounting Strap		
13c	000006702	Support Bracket		
13d	6066841	Base, Water Condenser/Receiver		
13e	5202069	Screw - #10-24 x 0.50" HEX		

**PART NOTES:**

[1] - \pages from 000005156\_02.jpg" width=266 height=183>

# i1400P, JC1395 Indigo

## I1400P PANELS



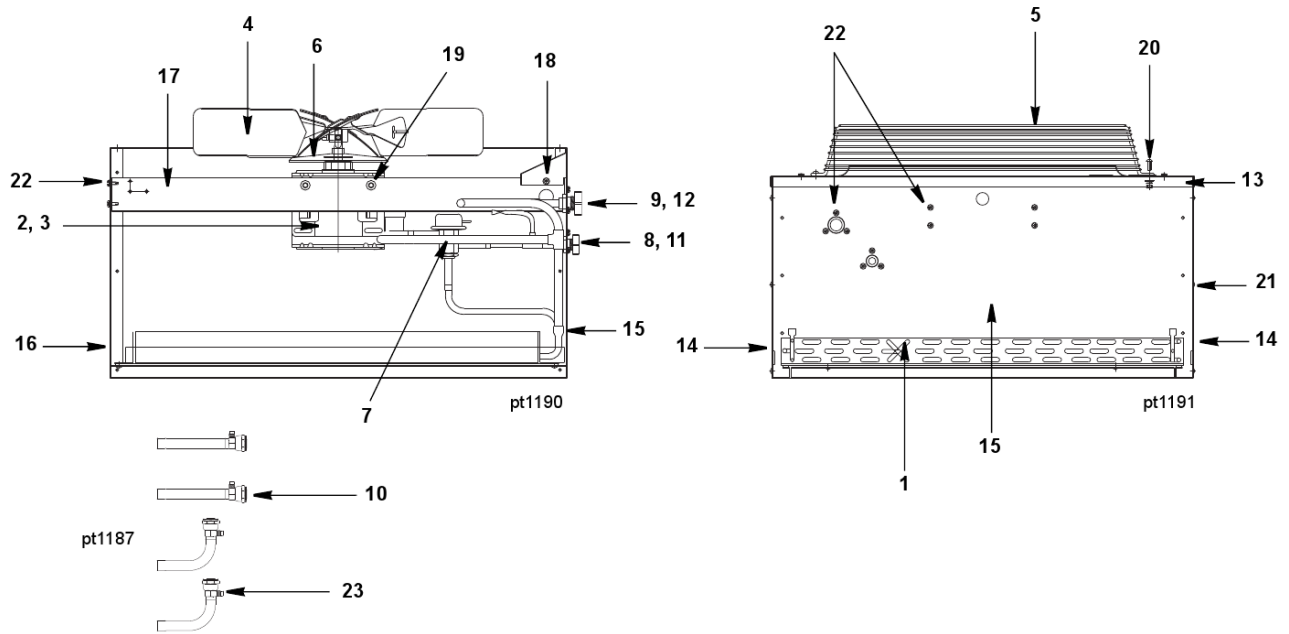
# i1400P, JC1395 Indigo

## I1400P PANELS

#	PART #	DESCRIPTION	QTY	Note
1		Left Side Panel		
1a	6068941	Left Side Panel - Louvered		
1b	6068661	Left Side Panel - Non-Louvered		
2		Right Side Panel		
2a	6068931	Right Side Panel - Louvered		
2b	6068731	Right Side Panel - Non-Louvered		
3	6071481	Top Cover		
3a	6064049	Top Cover Bracket		
4	000008779	Front Panel Assembly		
5	6071471	Front Top Support		
5a	5005379	Mounting Screw - #8-32 x 1" PHIL		
5b	5005099	Mounting Screw - #10-16 x 0.625" PHIL		
6	6065909	Compressor Mounting Base		
		Air-cooled Back Panels		
7	000008264	Back Panel with Electrical Connection Box, Air-cooled Models		
8	4040243	Air Filter		
9	000008266	Air Baffle Assembly		
		Water-cooled & Remote Air-cooled Back Panels		
10	6072473	Back Panel with Electrical Connection Box,		
11	6066823	Back Panel		
12	8706083	Female Wing Adapter - 0.50"		
13	6071461	Bottom Door Frame		
13a	5005379	Mounting Screw - #8-32 x 1" PHIL		
13b	5202099	Screw - #10-24 x 0.50" PHIL		
14	6068653	Left Corner Post - SS		
15	6068643	Left Top Channel - SS		
16	000008753	Right Corner Post - SS		
17	000008716	Right Top Channel		
18		Electrical Box on Rear of Ice Machine		
18a	6067289	Rear Connection Box		
18b	6067299	Rear Connection Box Cover		
18c	2006143	Terminal Block - 50 Hz - 3 Pole		
18d	5202169	Screw - #10-24 x 0.50" Ground		
19	5005353	Front Panel Screw		
20	5005343	Screws - #12-16 x 0.50" TORX		
21	5800053	Screwdriver Bit Front Panel - #4-40 TX-15-H		
22	5800043	Screwdriver Bit Side Panels - #4-40 TX-25-H		
23	000000548	Cartoning		

# i1400P, JC1395 Indigo

## JC1395 REMOTE CONDENSER



# i1400P, JC1395 Indigo

## JC1395 REMOTE CONDENSER

#	PART #	DESCRIPTION	QTY	Note
1	8850903	Air Condenser		
2	7629413	Fan Motor - 208-230V/50-60 Hz/1 Ph		
3	8504583	Fan Motor Run Capacitor		[1]
4	2416113	Fan Blade		
5	3400643	Fan Guard		
6	2415053	Rain Slinger		
7	000004070	Head Pressure Control Valve		
8	8360343	Coupling - Male - 5/8-18		
9	8360353	Coupling - Male - 1-1/6-12		
10	K0129	Female Line Set Coupling Kit		
11	8360053	Coupling Mounting Flange for 5/8-18		
12	8360063	Coupling Mounting Flange for 1-1/16-12		
13	6017891	Top Cover		
14		Panel - Side		
14a	6017901	Panel - Side Before Serial Number 110529484		
14b	000000613	Panel - Side After Serial Number 110529484		
15		Panel - Rear		
15a	6017911	Panel - Rear Before Serial Number 110529484		
15b	000000612	Panel - Rear After Serial Number 110529484		
16		Panel - Front		
16a	6017921	Panel - Front Before Serial Number 110529484		
16b	000000611	Panel - Front After Serial Number 110529484		
17	6017681	Fan Motor Mounting Bracket		
18	6017761	Electrical Box Cover		
19	5035659	Fan Motor Mounting Screw		
19a	5573099	Mounting - Flatwasher		
19b	5573139	Mounting - Lockwasher		
19c	5429759	Mounting - Hexnut		
20	5033459	Screw - 1/4-20 x 0.625"		
20a	5573049	Flatwasher		
20b	5545119	Mounting - Lockwasher		
20c	5429529	Mounting - Hexnut		
21	5121539	Panel/Condenser Mounting Screw - #8 x 0.50"		
21a	5544599	Panel/Condenser Mounting Lockwasher		
22	5202059	Screw		
23	7626843	Valve Cores		
24		Legs		
24a	6017691	Legs		
24b	000000718	Legs		
25	000000546	Cartoning		

**PART NOTES:**

[1] - Emerson