



***Manitowoc***  
**Foodservice**  
**Parts Manual**

For more Parts Information:

<https://manitowocfsg.sysonline.com/Default.aspx>

# TABLE OF CONTENTS

Manitowoc Foodservice [Updated: Sep. 30, 2013]

Manitowoc - Ice & Related

Parts Catalog

Ice Machine

Indigo Series

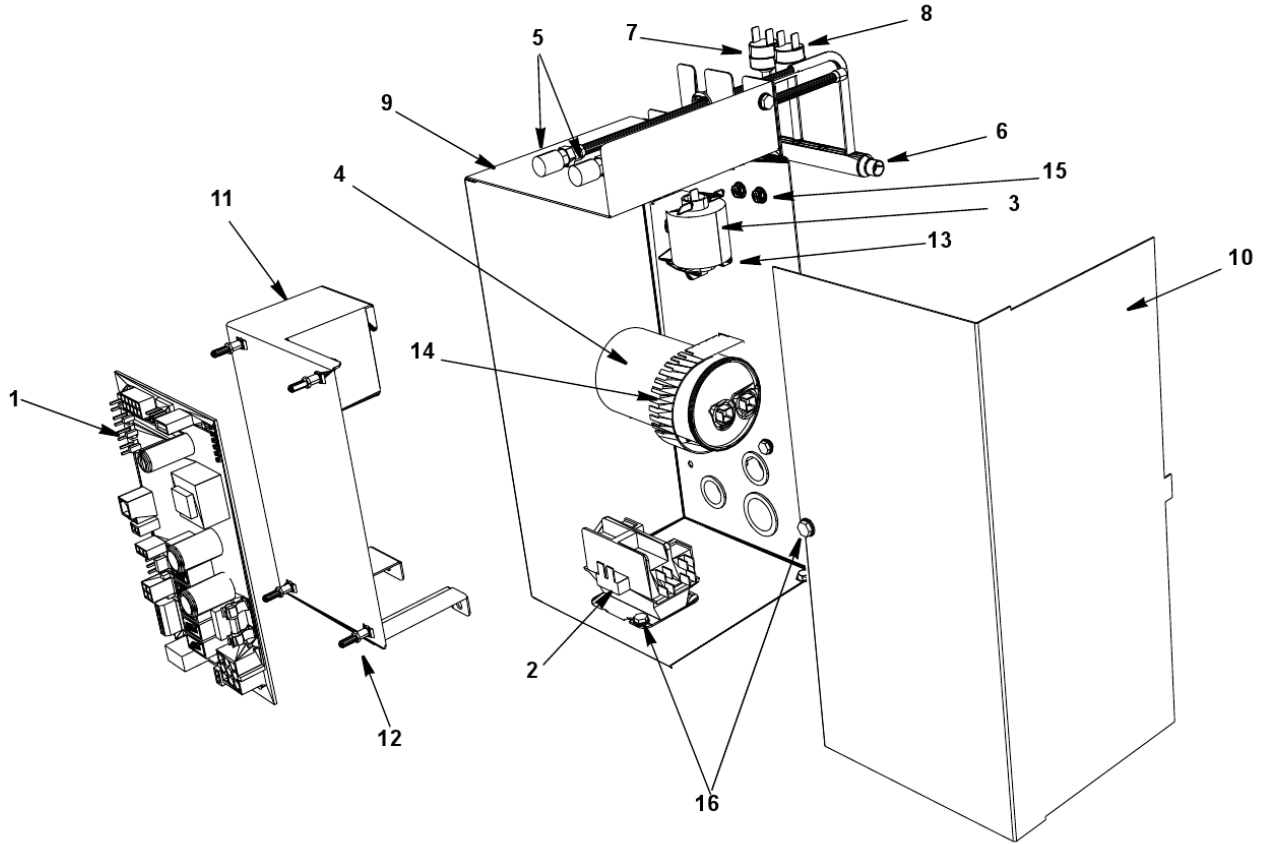
Indigo Model - Prison

i1800P, JC1395 Indigo

|   |    |
|---|----|
| i1800P Control Box.....                                   | 1  |
| i1800P Evaporator Compartment - Common Components.....    | 3  |
| i1800P Refrigeration Compartment - Common Components..... | 5  |
| i1800 Refrigeration Compartment - Air-cooled.....         | 8  |
| i1800P Refrigeration Compartment – Water-cooled.....      | 10 |
| i1800P Refrigeration Compartment - Remote.....            | 12 |
| i1800P Panels.....  | 14 |
| JC1395 Remote Condenser.....                              | 16 |

# i1800P, JC1395 Indigo

## I1800P CONTROL BOX



# i1800P, JC1395 Indigo

## I1800P CONTROL BOX

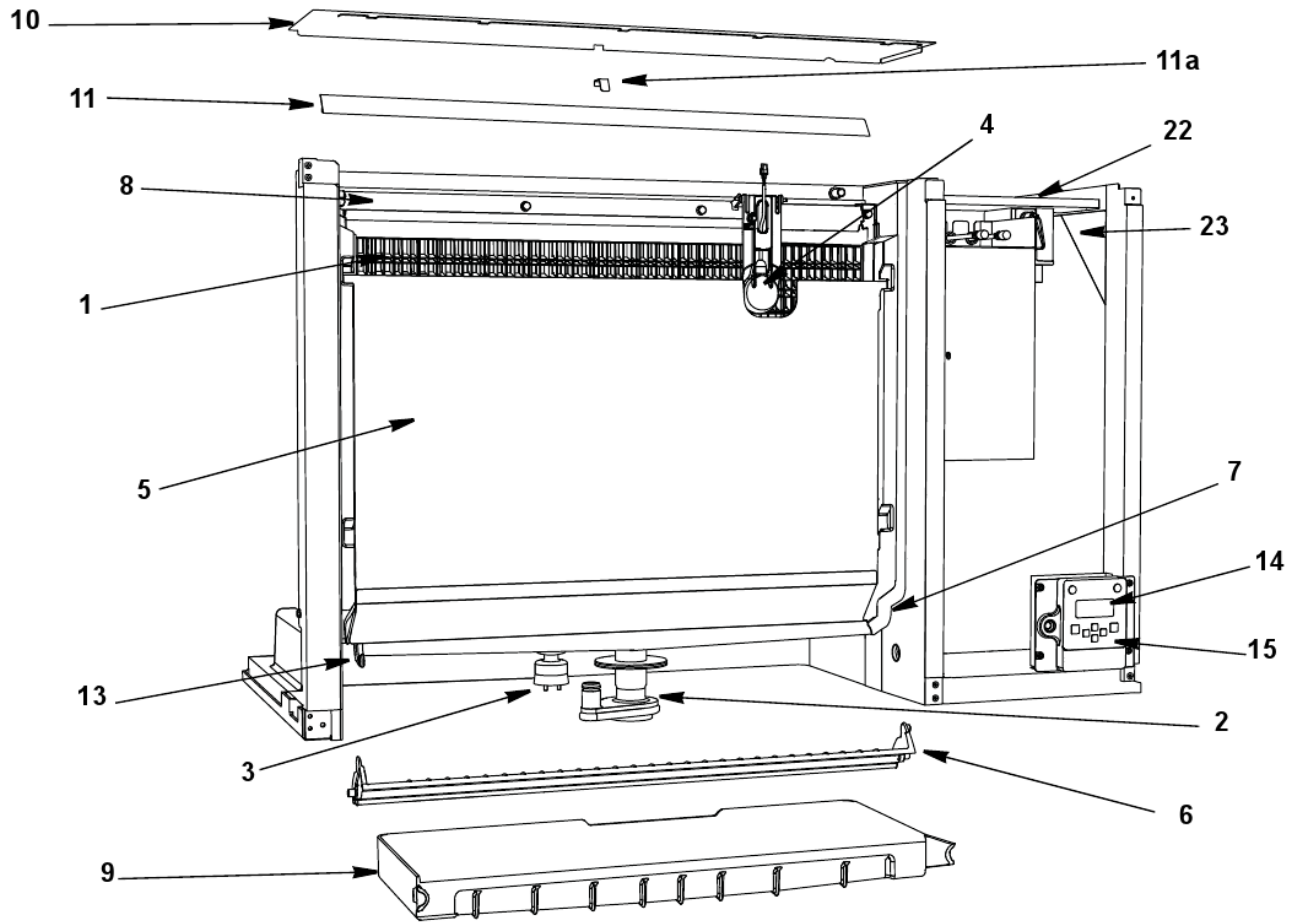
| #   | PART #    | DESCRIPTION   | QTY | Note |
|-----|-----------|---|-----|------|
| 1   | 000008309 | Control Board   |     |      |
| 1a  | 000009181 | 8 amp Ceramic Fuse - Mounted on Control Board           |     |      |
| 2   |           | Contactora  |     |      |
| 2a  | 2009089   | Contactora - 208-230V/50-60 Hz/1 Ph                     |     |      |
| 2b  | 2006619   | Contactora - 230V/60 Hz/3 Ph                            |     |      |
| 2c  | 2009089   | Contactora - 208-230V/50-60 Hz/1 Ph                     |     |      |
| 3   | 8504913   | PTCR  |     |      |
| 4   |           | Compressor Run Capacitor                                |     |      |
| 4a  | 000005488 | Run Capacitor - 115-230V/50-60 Hz/1 Ph                  |     |      |
| 4b  | 000005488 | Run Capacitor - 115-230V/50-60 Hz/1 Ph                  |     |      |
| 5   | 8373253   | Access Valve  |     |      |
| 5   | 8373263   | Refrigeration Service Valve Assembly                    |     |      |
| 6   | 8253579   | Manifold Strainer                                       |     |      |
| 6a  | 6058571   | Bracket   |     |      |
| 7   | 2001243   | High Pressure Cut-out Control                           |     |      |
| 8   | 2001273   | Fan Cycling Control - 225-275 psig                      |     | [1]  |
| 9   | 000008279 | Control Box   |     |      |
| 10  | 000010422 | Control Box Cover                                       |     |      |
| 11  | 000007564 | Control Board Mounting Bracket                          |     |      |
| 12  | 4302253   | Control Board Mounting Supports                         |     |      |
| 13  | 8504953   | PTCR Bracket  |     |      |
| 14  | 6033131   | Capacitor Mounting Bracket                              |     |      |
| 15  | 5202169   | Screw - #10-24 x 0.50" Ground                           |     |      |
| 15a | 5573209   | Star Washer   |     |      |
| 16  | 5202069   | Screw - #10-24 x 0.50" HEX                              |     |      |
| 17  | 5573209   | Star Washer   |     |      |
| 18  |           | Control Box Bushings                                    |     |      |
| 18a | 2500019   | Bushing - 1.187"  |     |      |
| 18b | 2501409   | Bushing - 0.875"  |     |      |
| 19  |           | Control Box Wiring Harness                              |     |      |
| 19a | 000007752 | Control Box Wiring Harness - 230V/60 Hz/1 Ph            |     |      |
| 19b | 2008979   | Control Box Wiring Harness - 230V/60 Hz/3 Ph            |     |      |
| 19c | 000007753 | Control Box Wiring Harness - 230V/50 Hz/1 Ph            |     |      |
| 19d | 000008020 | Control Box Wiring Harness - 460V/60 Hz/3 Ph            |     |      |
| 20  |           | Compressor Compartment Wiring Harness                   |     |      |
| 20a | 000008257 | Compressor Compartment Wiring Harness Air-cooled        |     |      |
| 20b | 000008258 | Compressor Compartment Wiring Harness Water-cooled      |     |      |
| 20c | 000008259 | Compressor Compartment Wiring Harness Remote Air-cooled |     |      |
| 21  |           | Electrical Noise Filter Wiring Harness                  |     |      |
| 21a | 000005500 | Electrical Noise Filter Wiring Harness                  |     |      |

**PART NOTES:**

[1] - \pages from 200126\_09.jpg" width=170 height=228>

# i1800P, JC1395 Indigo

## I1800P EVAPORATOR COMPARTMENT - COMMON COMPONENTS



# i1800P, JC1395 Indigo

## I1800P EVAPORATOR COMPARTMENT - COMMON COMPONENTS

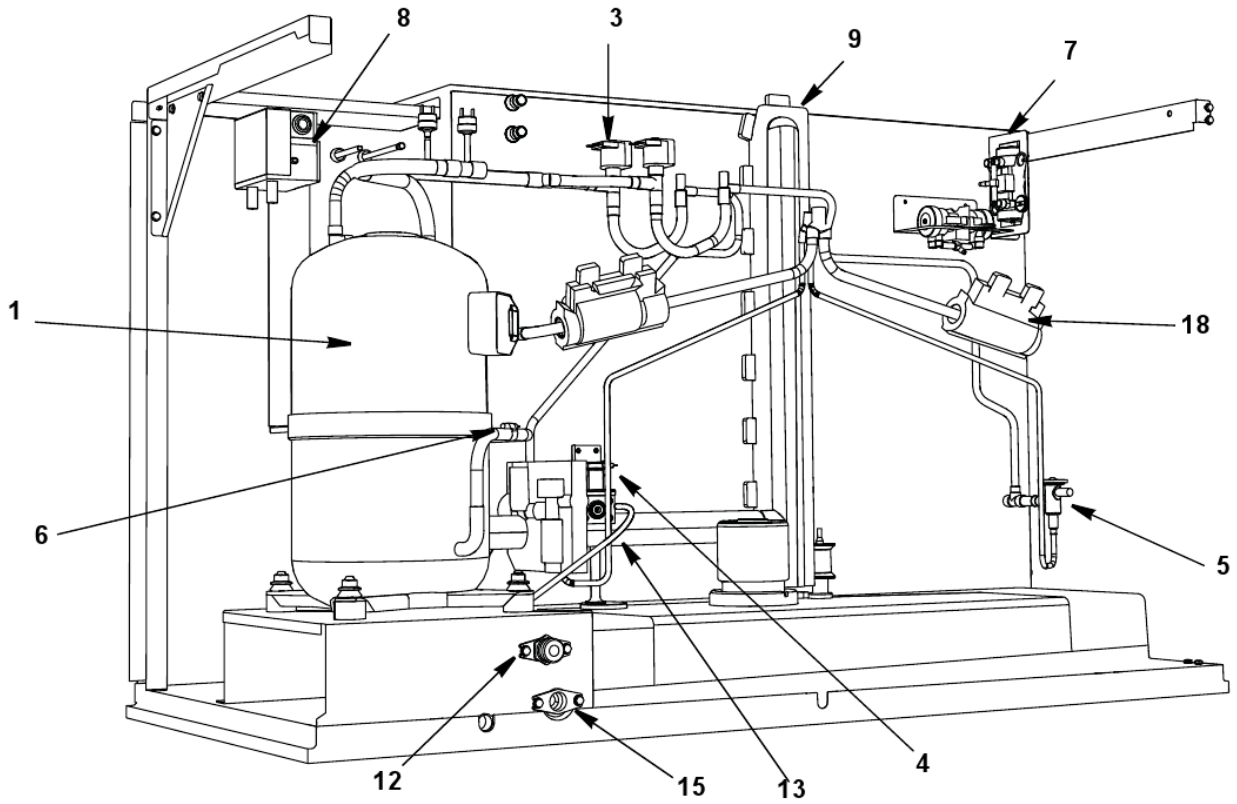
| #   | PART #    | DESCRIPTION                             | QTY | Note |
|-----|-----------|---|-----|------|
| 1   |           | Evaporator Assembly                     |     |      |
| 1a  | 000010425 | Evaporator - Dice Cube                  |     |      |
| 1b  | 000010426 | Evaporator - Half Dice Cube             |     |      |
| 1c  | 000010427 | Evaporator - Regular Cube               |     |      |
| 2   |           | Water Pump                              |     |      |
| 2a  | 2008119   | Water Pump - 230V/50-60 Hz              |     | [1]  |
| 2b  | 000000259 | Water Pump - 230V/50 Hz                 |     |      |
| 3   | 000007052 | Water Level Probe                       |     |      |
| 3a  | 000007724 | Wire - Control Box to Water Level Probe |     |      |
| 3b  | 000007053 | Water Level Probe - Holder              |     |      |
| 3c  | 5202099   | Screw - #10-24 x 0.50" PHIL             |     | [2]  |
| 4   | 000008660 | Ice Thickness Control Probe             |     |      |
| 5   | 000010429 | Splash Shield Assembly                  |     |      |
| 6   | 000008110 | Ice Damper Assembly                     |     |      |
| 7   | 000007888 | Magnetic Bin Switch                     |     |      |
| 7a  | 000007410 | Bin Switch Wiring Harness               |     |      |
| 8   | 7603193   | Water Distribution Tube - 48" Models    |     |      |
| 8a  | 5004649   | O-Rings                                 |     | [3]  |
| 9   | 000009112 | Water Trough                            |     |      |
| 10  | 000008253 | Foodzone Seal Panel                     |     |      |
| 11  | 000008805 | Evaporator Top Filler Panel             |     |      |
| 11a | 6063339   | Bracket - Top Filler Panel              |     |      |
| 11b | 5202099   | Screw - #10-24 x 0.50" PHIL             |     |      |
| 12  | 000010430 | Evaporator Top Frame Assembly           |     |      |
| 13  | 000010431 | Evaporator Bottom Frame Assembly        |     |      |
| 14  | 000006728 | LCD Display                             |     |      |
| 15  | 000007926 | Touch Pad with Housing                  |     |      |
| 16  | 000007737 | LCD Wiring Harness - 30" Long           |     |      |
| 17  | 000008091 | Touch Pad/Housing Mounting Bracket      |     |      |
| 18  | 5004799   | Thumbscrew SS - #8-32 x 0.375"          |     | [4]  |
| 18a | 5004629   | O-Ring - 0.125" ID                      |     |      |
| 19  | 5004619   | Screw - #12-16 x 0.687"                 |     |      |
| 20  | 5004659   | Water Pump Base O-Ring - 4.00" ID       |     |      |
| 21  | 5004679   | Water Pump Outlet O-Ring - 0.875" ID    |     |      |
| 22  | 000008710 | Support Bracket                         |     |      |
| 23  | 000008712 | Angled Support Bracket                  |     |      |

### PART NOTES:

- [1] - 60 Hz
- [2] - Mount Water Level Probe Holder
- [3] - Back of Distribution Assembly
- [4] - Water Distribution Tube Mounting

# i1800P, JC1395 Indigo

## I1800P REFRIGERATION COMPARTMENT - COMMON COMPONENTS



# i1800P, JC1395 Indigo

## I1800P REFRIGERATION COMPARTMENT - COMMON COMPONENTS

| #   | PART #    | DESCRIPTION  | QTY | Note |
|-----|-----------|--|-----|------|
| 1   |           | Compressor   |     |      |
| 1a  | 000008445 | Compressor - Bristol - 208-230V/60 Hz/1 Ph                 |     |      |
| 1b  | 000008446 | Compressor - Bristol - 208-230V/60 Hz/3 Ph                 |     |      |
| 1c  | 000008447 | Compressor - Bristol - 230V/50 Hz/1 Ph                     |     |      |
| 1d  | 000008448 | Compressor - Bristol - 460V/60 Hz/3 Ph                     |     |      |
| 1e  | 000005176 | Compressor Molded Plug Wiring Harness                      |     |      |
| 2   |           | Water Dump Valve   |     | [1]  |
| 2a  | 000001768 | Water Dump Valve - 208-230V/50-60 Hz                       |     |      |
| 2b  | 6058459   | Water Dump Valve Mounting Bracket                          |     |      |
| 2c  | 4420383   | Clear Tubing - 0.625" ID                                   |     |      |
| 3   |           | Harvest Valve  |     |      |
| 3a  | 000007017 | Solenoid Valve Including 208-230V/50-60 Hz Electrical Coil |     |      |
| 3b  | 000005157 | Danfoss Solenoid Valve Coil Only - 230V/50-60 Hz           |     | [2]  |
| 4   |           | Water Inlet Valve  |     |      |
| 4a  | 000007966 | Water Inlet Valve - 208-230V/50-60 Hz                      |     |      |
| 4b  | 000008582 | Water Inlet Valve Bracket                                  |     |      |
| 5   | 7602253   | Expansion Valve  |     |      |
| 5a  | 4013299   | Valve Insulation Boot - Body                               |     |      |
| 5b  | 000002719 | Valve Insulation Boot - Bulb                               |     |      |
| 6   | 000008310 | Thermistor with Spring Clips                               |     |      |
| 7   |           | Air Assist   |     |      |
| 7a  | 000007223 | Air Assist - 230V/50-60 Hz                                 |     |      |
| 7b  | 4011739   | Air Manifold   |     | [3]  |
| 7c  | 000006489 | Air Assist Bracket   |     |      |
| 7d  | 3001453   | Air Assist Nozzle  |     |      |
| 8   | K00434    | LuminIce   |     |      |
| 8a  | K00425    | LuminIce Bulb  |     |      |
| 8b  | 000007409 | LuminIce Wiring Harness                                    |     |      |
| 8c  | 000007990 | Bulkhead Fitting 2.25"                                     |     |      |
| 8d  | 000008269 | Bulkhead Fitting 2.75"                                     |     |      |
| 9   | 000003409 | Insulated Tube   |     | [4]  |
| 9a  | 5650609   | Snap Clamp - 1.0" ID                                       |     |      |
| 9b  | 5650709   | Snap Clamp - 0.799"/0.899" ID                              |     |      |
| 10  | 000001382 | Vinyl Tubing 0.625" ID                                     |     | [5]  |
| 10a | 6038831   | Insulation 0.88 ID X 0.25W X 13.50L                        |     |      |
| 10b | 5650709   | Snap Clamp - 0.799"/0.899" ID                              |     |      |
| 11  | 000009316 | Heat Exchanger   |     |      |
| 12  | 8706093   | Female Wing Adapter - 0.375"                               |     |      |
| 12a | 1360961   | Male Connector   |     |      |
| 13  | 4010439   | Tubing - Water Inlet Valve                                 |     | [6]  |
| 14  | 1360989   | Connector - Water Inlet Valve                              |     |      |
| 15  | 8706133   | Female Wing Adapter - 0.50"                                |     |      |

# i1800P, JC1395 Indigo

## I1800P REFRIGERATION COMPARTMENT - COMMON COMPONENTS

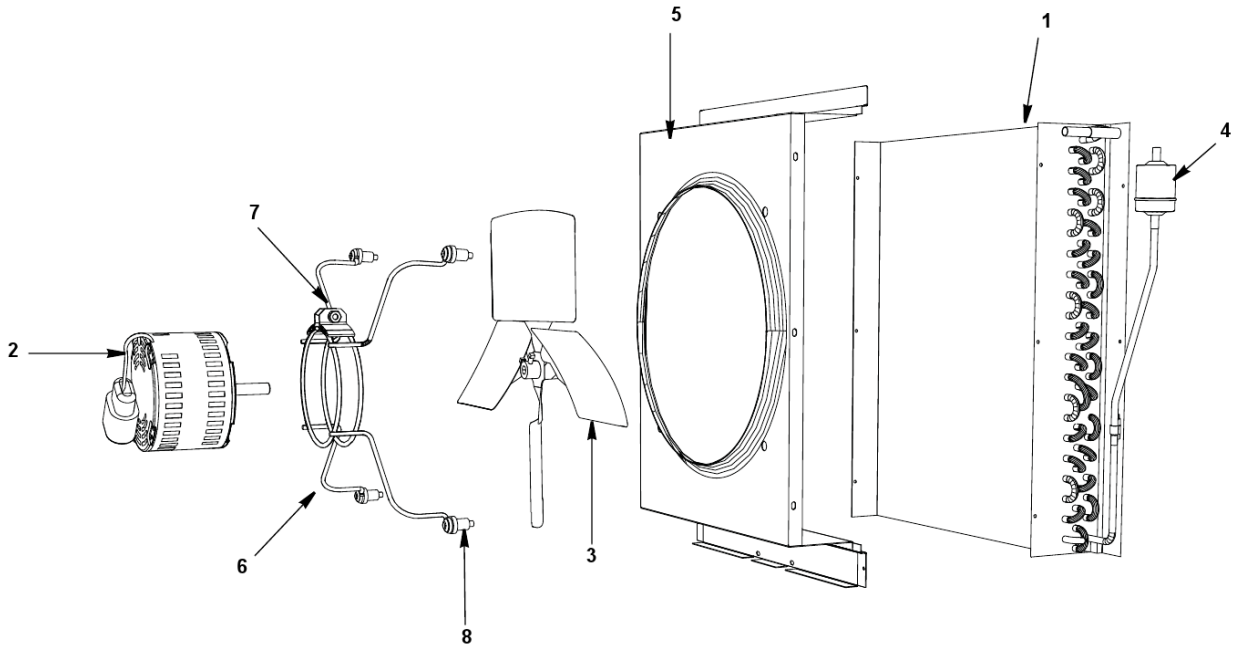
| #   | PART #  | DESCRIPTION                         | QTY | Note |
|-----|---------|-------------------------------------|-----|------|
| 16  |         | Compressor Mounting                 |     |      |
| 16a | 6065909 | Compressor Mounting Base            |     |      |
| 16b | 8503069 | Mounting - Rubber Grommet           |     |      |
| 16c | 8503949 | Mounting - Sleeve                   |     |      |
| 16d | 5004819 | Compressor Mounting - Bolt          |     |      |
| 16e | 5004829 | Compressor Mounting - Nut           |     |      |
| 17  | 5650529 | Clamp - Expansion Valve Bulb        |     |      |
| 18  | 3000503 | Strap - Expansion Valve Bulb - 0.5" |     |      |
| 19  | 5202069 | Screw - #10-24 x 0.50" HEX          |     |      |

### PART NOTES:

- [1] - with bracket
- [2] - \pages from 000005156\_02.jpg" width=266 height=183>
- [3] - Air Pump Tubing Outlet
- [4] - vinyl tubing from distribution tube to water pump & dump valve
- [5] - dump valve to drain adapter
- [6] - \pages from 401043\_05.jpg" width=1797 height=2238>

# i1800P, JC1395 Indigo

## I1800 REFRIGERATION COMPARTMENT - AIR-COOLED



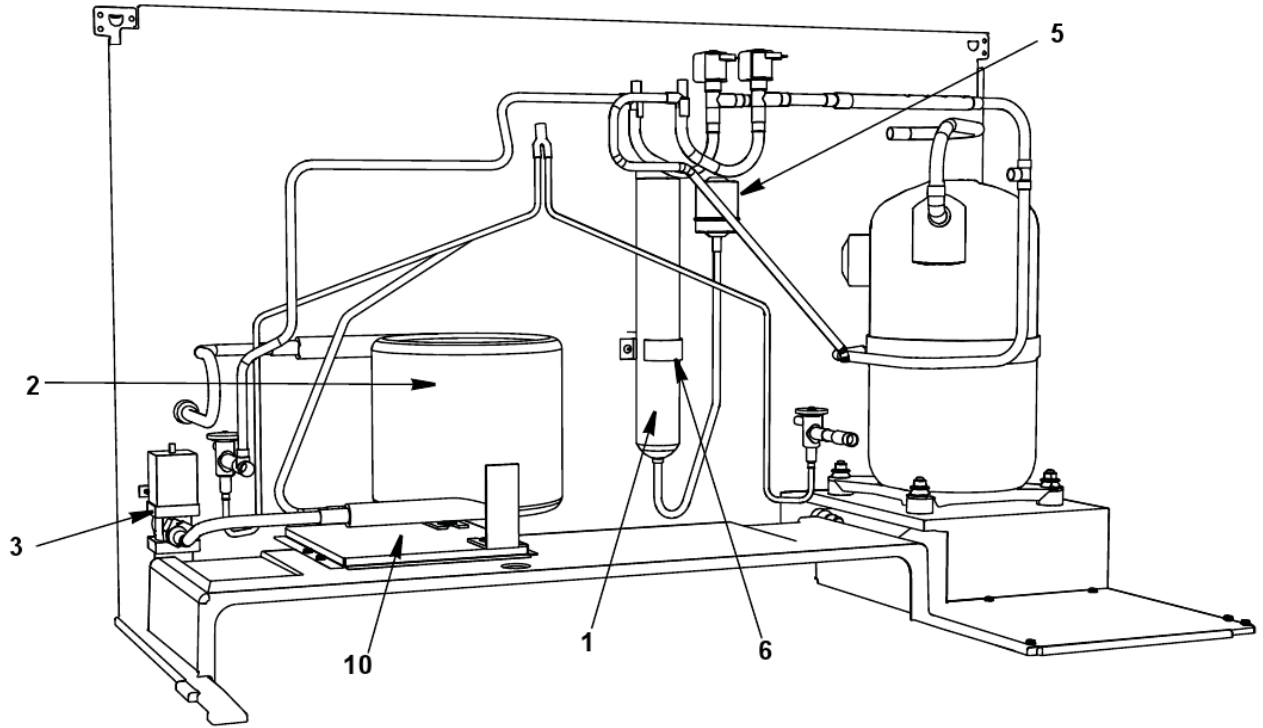
# i1800P, JC1395 Indigo

## I1800 REFRIGERATION COMPARTMENT - AIR-COOLED

| #  | PART #  | DESCRIPTION                   | QTY | Note |
|----|---------|-------------------------------|-----|------|
| 1  | 8851293 | Air Condenser                 |     |      |
| 2  | 7626733 | Fan Motor - 208-230V/50-60 Hz |     |      |
| 3  | 2416113 | Fan Blade                     |     |      |
| 4  | 8930279 | Drier                         |     |      |
| 5  | 6065979 | Fan Shroud                    |     |      |
| 6  | 3006823 | Fan Motor Mounting Bracket    |     |      |
| 7  |         | Fan Motor Mounting            |     |      |
| 7a | 5033589 | Mounting - Screw              |     |      |
| 7b | 5545109 | Lockwasher                    |     |      |
| 7c | 5429529 | Mounting - Hexnut             |     |      |
| 8  |         | Fan Bracket Mounting          |     |      |
| 8a | 5032389 | Fan Bracket Mounting Screw    |     |      |
| 8b | 5545109 | Lockwasher                    |     |      |
| 8c | 5573059 | Mounting - Flatwasher         |     |      |
| 8d | 5429559 | Mounting - Rubber Wellnut     |     |      |
| 9  | 5202069 | Screw - #10-24 x 0.50" HEX    |     |      |

# i1800P, JC1395 Indigo

## I1800P REFRIGERATION COMPARTMENT – WATER-COOLED



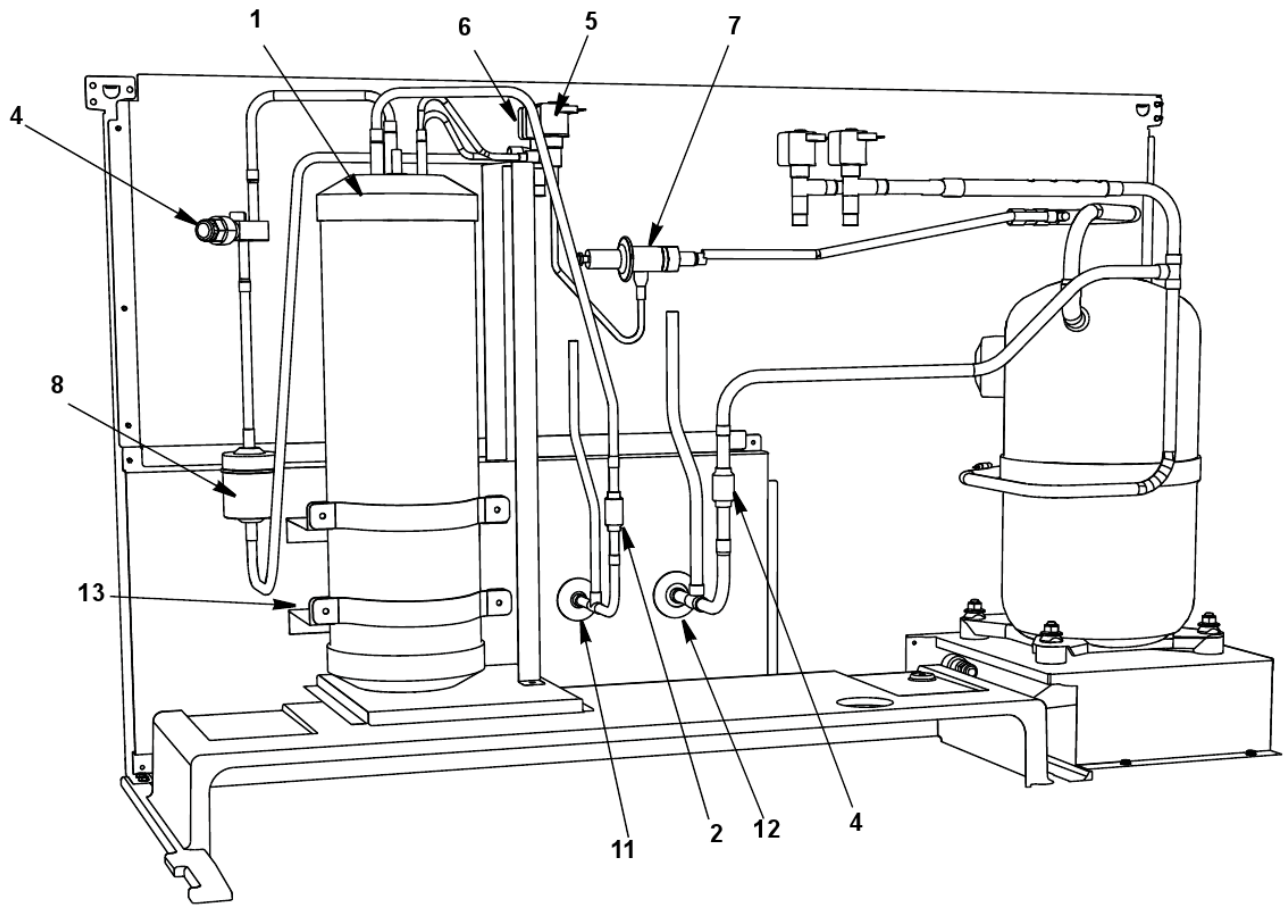
# i1800P, JC1395 Indigo

## I1800P REFRIGERATION COMPARTMENT – WATER-COOLED

| #  | PART #    | DESCRIPTION                    | QTY | Note |
|----|-----------|--------------------------------|-----|------|
| 1  | 000008894 | Receiver                       |     |      |
| 2  | 000001508 | Water-Cooled Condenser         |     |      |
| 3  | 8372123   | Water Regulating Valve         |     |      |
| 4  | 8706083   | Female Wing Adapter - 0.50"    |     |      |
| 5  | 8930279   | Drier                          |     |      |
| 6  | 6000541   | Receiver Strap                 |     |      |
| 7  | 5002249   | Elbow 1/2 MF x 3/8 MPT         |     |      |
| 8  | 5202063   | Screw - #10-24 x 0.50" HEX     |     |      |
| 9  | 5573419   | Washer                         |     |      |
| 10 | 6066841   | Base, Water Condenser/Receiver |     |      |

# i1800P, JC1395 Indigo

## I1800P REFRIGERATION COMPARTMENT - REMOTE



# i1800P, JC1395 Indigo

## I1800P REFRIGERATION COMPARTMENT - REMOTE

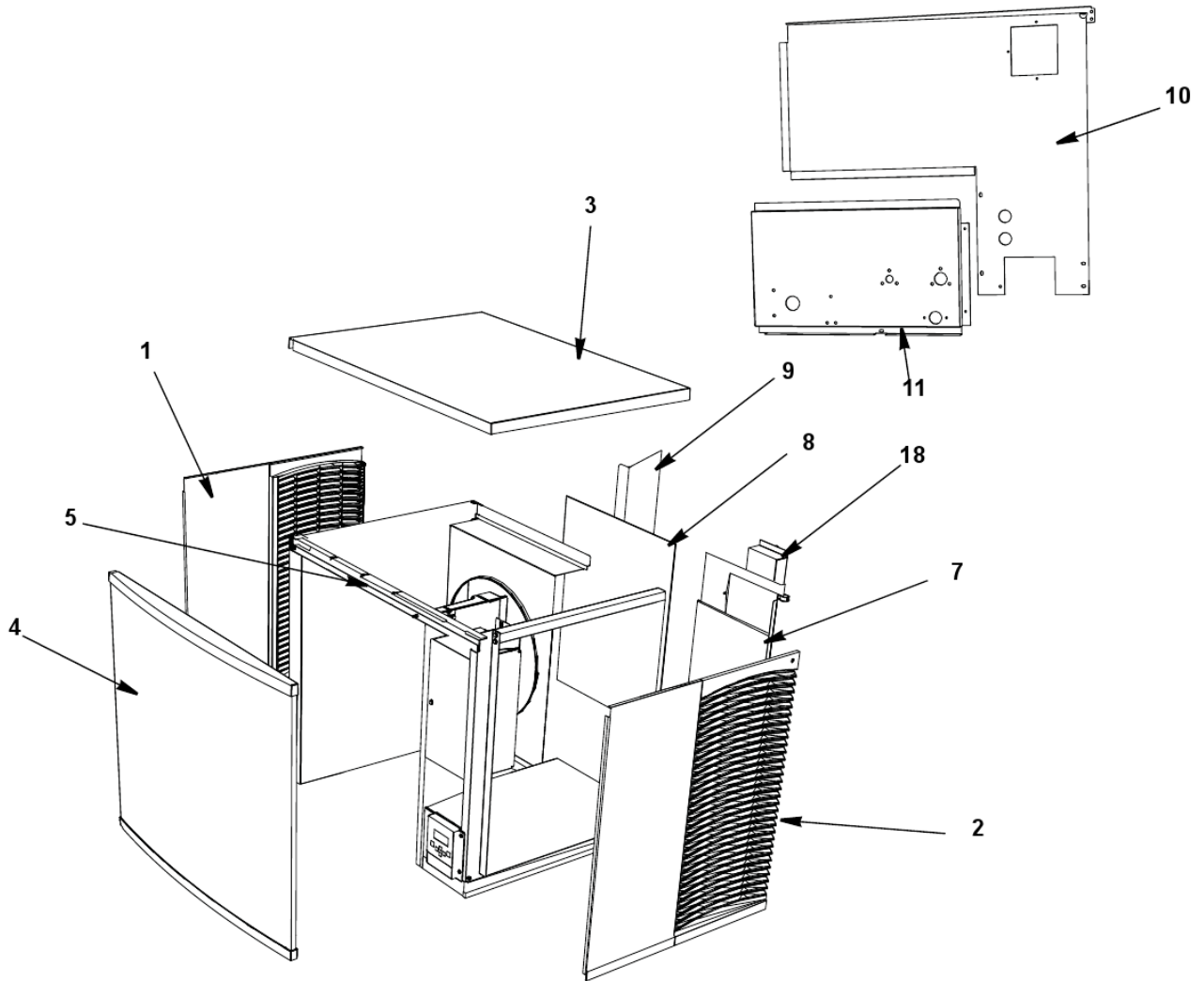
| #   | PART #    | DESCRIPTION  | QTY | Note |
|-----|-----------|--|-----|------|
| 1   | 7629583   | Receiver   |     |      |
| 2   | 8373149   | Magni-Check Valve - 0.375"                                 |     |      |
| 3   | 8373159   | Magni-Check Valve - 0.5"                                   |     |      |
| 4   | 8373169   | Receiver Service Valve                                     |     |      |
| a.  | 5650759   | Cap for Refrigeration Service Valve                        |     |      |
| 5   |           | Harvest Pressure Regulating Solenoid (HPR) Valve           |     |      |
| 5a  | 000007034 | Solenoid Valve Including 208-230V/50-60 Hz Electrical Coil |     |      |
| 5b  | 000005157 | Danfoss Solenoid Valve Coil Only - 230V/50-60 Hz           |     | [1]  |
| 6   |           | Liquid Line Solenoid Valve                                 |     |      |
| 6a  | 000007026 | Solenoid Valve with Electrical Coil - 208-230V/50 Hz       |     |      |
| 6b  | 000005157 | Danfoss Solenoid Valve Coil Only - 230V/50-60 Hz           |     | [1]  |
| 7   | 8367793   | Harvest Pressure Regulating Valve                          |     |      |
| 8   | 8930279   | Drier  |     |      |
| 9   | 8360343   | Coupling - Male - 5/8-18                                   |     |      |
| 10  | 8360353   | Coupling - Male - 1-1/6-12                                 |     |      |
| 11  | 8360053   | Coupling Mounting Flange for 5/8-18                        |     |      |
| 12  | 8360063   | Coupling Mounting Flange for 1-1/16-12                     |     |      |
| 13  |           | Receiver Mounting  |     |      |
| 13a | 6000561   | Receiver Mounting Bracket                                  |     |      |
| 13b | 6307214   | Receiver Mounting Strap                                    |     |      |
| 13c |           | Support Bracket  |     |      |
| 13d | 6066849   | Base   |     |      |
| 13e | 5202069   | Screw - #10-24 x 0.50" HEX                                 |     |      |

**PART NOTES:**

[1] - \pages from 000005156\_02.jpg" width=266 height=183>

# i1800P, JC1395 Indigo

## I1800P PANELS



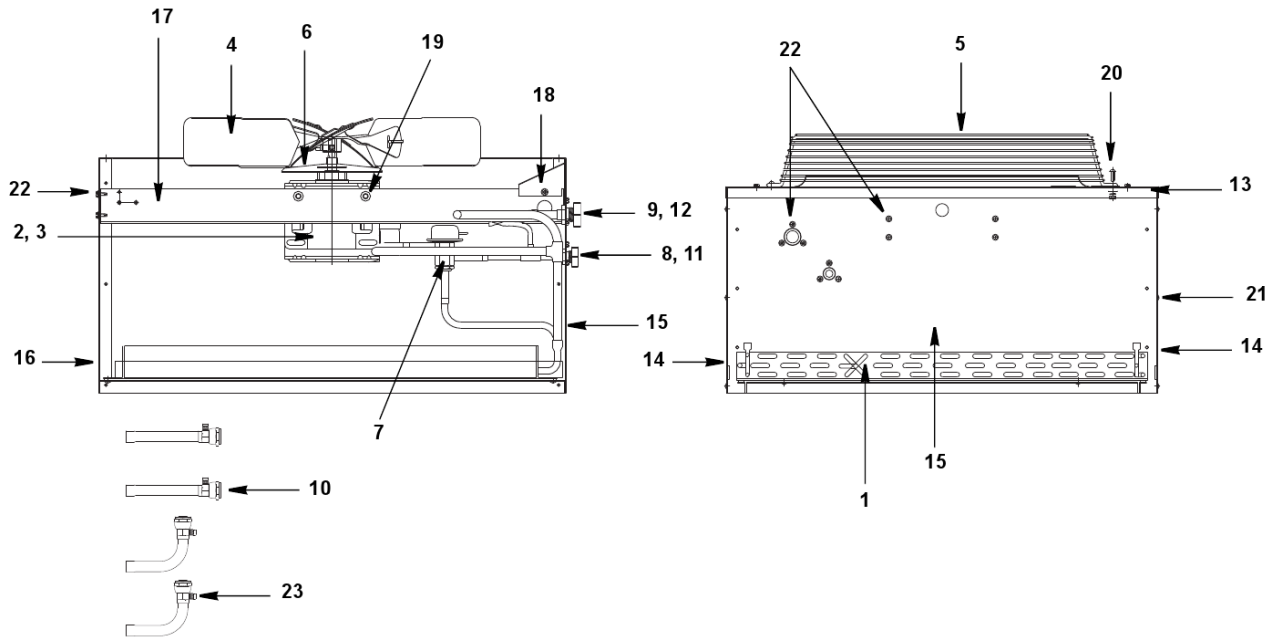
# i1800P, JC1395 Indigo

## I1800P PANELS

| #   | PART #    | DESCRIPTION  | QTY | Note |
|-----|-----------|--|-----|------|
| 1   |           | Left Side Panel  |     |      |
| 1a  | 6071781   | Left Side Panel - Air-cooled                                 |     |      |
| 1b  | 6071541   | Left Side Panel - Water, Remote                              |     |      |
| 2   |           | Right Side Panel   |     |      |
| 2a  | 6071791   | Right Side Panel - Air-cooled                                |     |      |
| 2b  | 6071541   | Left Side Panel - Water, Remote                              |     |      |
| 3   | 6071481   | Top Cover  |     |      |
| 3a  | 6064049   | Top Cover Bracket  |     |      |
| 4   | 000008780 | Front Panel Assembly   |     |      |
| 5   | 6071471   | Front Top Support  |     |      |
| 5a  | 5005379   | Mounting Screw - #8-32 x 1" PHIL                             |     |      |
| 5b  | 5005099   | Mounting Screw - #10-16 x 0.625" PHIL                        |     |      |
| 6   | 6065909   | Compressor Mounting Base                                     |     |      |
|     |           | Air-cooled Back Panels                                       |     |      |
| 7   | 000008267 | Back Panel with Electrical Connection Box, Air-cooled Models |     |      |
| 8   | 4040253   | Air Filter   |     |      |
| 9   | 000007678 | Air Baffle Assembly  |     |      |
|     |           | Water-cooled & Remote Air-cooled Back Panels                 |     |      |
| 10  | 6072449   | Back Panel with Electrical Connection Box,                   |     |      |
| 11  | 6066823   | Back Panel   |     |      |
| 12  | 8706083   | Female Wing Adapter - 0.50"                                  |     |      |
| 13  | 6071469   | Bottom Door Frame  |     |      |
| 13a | 5005379   | Mounting Screw - #8-32 x 1" PHIL                             |     |      |
| 13b | 5202099   | Screw - #10-24 x 0.50" PHIL                                  |     |      |
| 14  | 6065993   | Left Corner Post   |     |      |
| 15  | 6068643   | Left Top Channel - SS  |     |      |
| 16  | 000008717 | Right Corner Post - Front                                    |     |      |
| 17  | 000008716 | Right Top Channel  |     |      |
| 18  |           | Electrical Box on Rear of Ice Machine                        |     |      |
| 18a | 6067289   | Rear Connection Box  |     |      |
| 18b | 6067299   | Rear Connection Box Cover                                    |     |      |
| 18c | 2006143   | Terminal Block - 50 Hz - 3 Pole                              |     |      |
| 18d | 5202169   | Screw - #10-24 x 0.50" Ground                                |     |      |
| 19  | 5005353   | Front Panel Screw  |     |      |
| 20  | 5005343   | Screws - #12-16 x 0.50" TORX                                 |     |      |
| 21  | 5800053   | Screwdriver Bit Front Panel - #4-40 TX-15-H                  |     |      |
| 22  | 5800043   | Screwdriver Bit Side Panels - #4-40 TX-25-H                  |     |      |
| 23  | 7112429   | Cartoning  |     |      |

# i1800P, JC1395 Indigo

## JC1395 REMOTE CONDENSER



# i1800P, JC1395 Indigo

## JC1395 REMOTE CONDENSER

| #   | PART #    | DESCRIPTION                                  | QTY | Note |
|-----|-----------|--|-----|------|
| 1   | 8850629   | Air Condenser                                |     |      |
| 2   | 7629413   | Fan Motor - 208-230V/50-60 Hz/1 Ph           |     |      |
| 3   | 8504583   | Fan Motor Run Capacitor                      |     | [1]  |
| 4   | 2416113   | Fan Blade                                    |     |      |
| 5   | 3400643   | Fan Guard                                    |     |      |
| 6   | 2415053   | Rain Slinger                                 |     |      |
| 7   | 000004070 | Head Pressure Control Valve                  |     |      |
| 8   | 8360343   | Coupling - Male - 5/8-18                     |     |      |
| 9   | 8360353   | Coupling - Male - 1-1/6-12                   |     |      |
| 10  | K0129     | Female Line Set Coupling Kit                 |     |      |
| 11  | 8360053   | Coupling Mounting Flange for 5/8-18          |     |      |
| 12  | 8360063   | Coupling Mounting Flange for 1-1/16-12       |     |      |
| 13  | 6017751   | Top Cover                                    |     |      |
| 14  |           | Panel - Side                                 |     |      |
| 14a | 6017901   | Panel - Side Before Serial Number 110529484  |     |      |
| 14b | 000000613 | Panel - Side After Serial Number 110529484   |     |      |
| 15  |           | Panel - Rear                                 |     |      |
| 15a | 6017911   | Panel - Rear Before Serial Number 110529484  |     |      |
| 15b | 000000612 | Panel - Rear After Serial Number 110529484   |     |      |
| 16  |           | Panel - Front                                |     |      |
| 16a | 6017921   | Panel - Front Before Serial Number 110529484 |     |      |
| 16b | 000000611 | Panel - Front After Serial Number 110529484  |     |      |
| 17  | 6017681   | Fan Motor Mounting Bracket                   |     |      |
| 18  | 6017761   | Electrical Box Cover                         |     |      |
| 19  | 5035659   | Fan Motor Mounting Screw                     |     |      |
| 19a | 5573099   | Mounting - Flatwasher                        |     |      |
| 19b | 5573139   | Mounting - Lockwasher                        |     |      |
| 19c | 5429759   | Mounting - Hexnut                            |     |      |
| 20  | 5033459   | Screw - 1/4-20 x 0.625"                      |     |      |
| 20a | 5573049   | Flatwasher                                   |     |      |
| 20b | 5545119   | Mounting - Lockwasher                        |     |      |
| 20c | 5429529   | Mounting - Hexnut                            |     |      |
| 21  | 5121539   | Panel/Condenser Mounting Screw - #8 x 0.50"  |     |      |
| 21a | 5544599   | Panel/Condenser Mounting Lockwasher          |     |      |
| 22  | 5202069   | Screw - #10-24 x 0.50" HEX                   |     |      |
| 23  | 7626843   | Valve Cores                                  |     |      |
| 24  | 6017691   | Legs   |     |      |
| 24a | 6017691   | Legs   |     |      |
| 24b | 000000718 | Legs   |     |      |
| 25  | 000000546 | Cartoning                                    |     |      |

**PART NOTES:**

[1] - Emerson