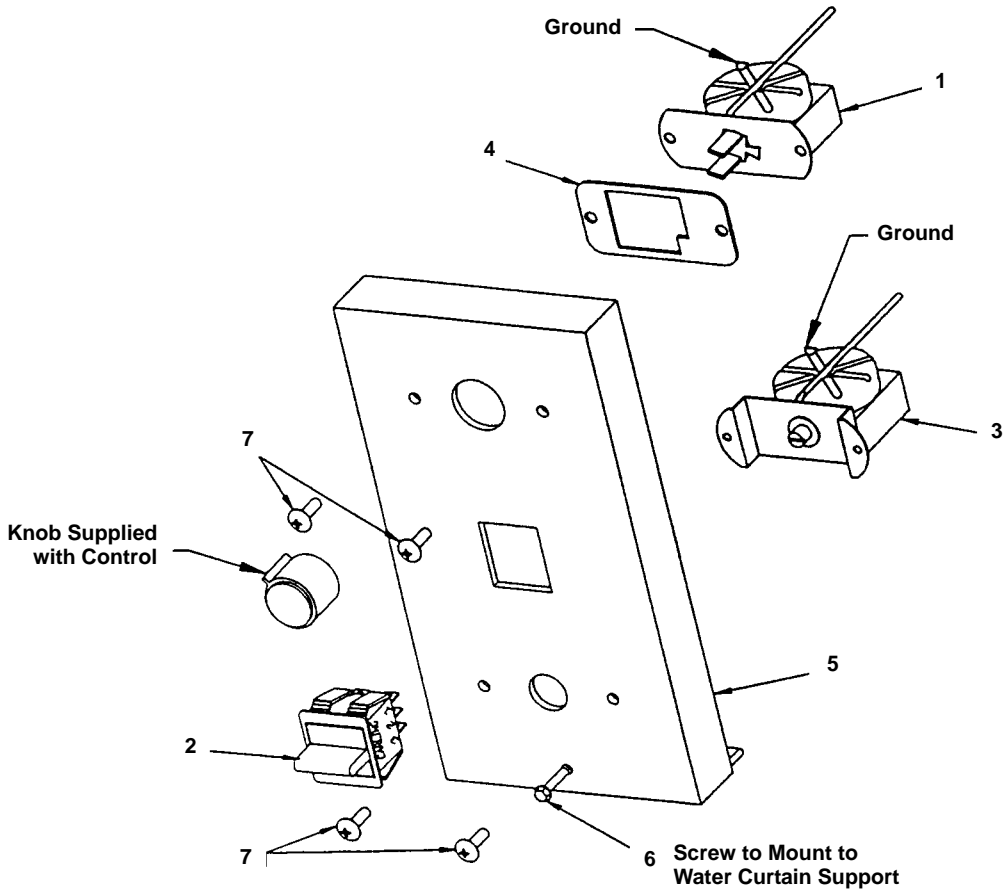




Ice Machine Parts List for Series I45

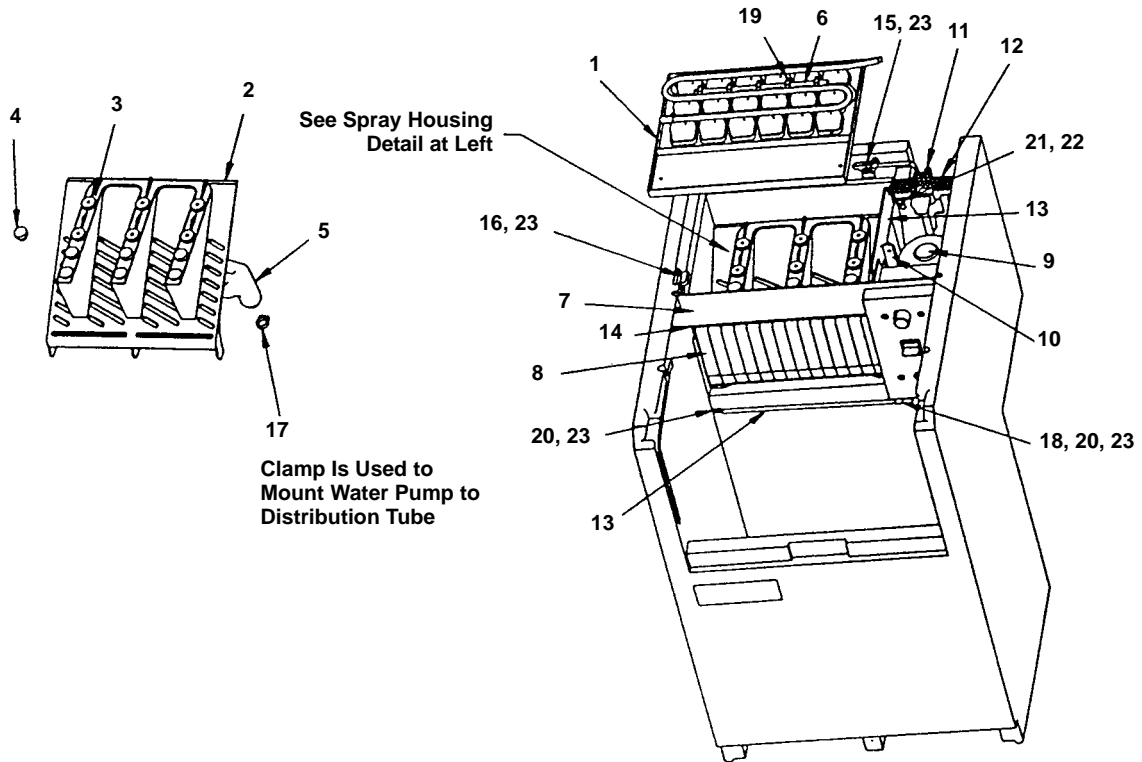
I45 CONTROL BOX



PT1107

		115V/60	230V/50	230V/60
1	Cube size control	† 7626133	same	same
2	Switch - toggle	No Longer Available	same	same
3	Bin thermostat	2351263	same	same
4	Stop - cube size control	No Longer Available	same	same
5	Control box cover	7626143	same	same
6	Screw, 8-18 x 5/8 hex	† 5012259	same	same
7	Screw, 8-32 x 1/2 phil	† 5026249	same	same
8	Power Cord (Not shown)	No Longer Available	2031883	No Longer Available

I45 EVAPORATOR COMPARTMENT

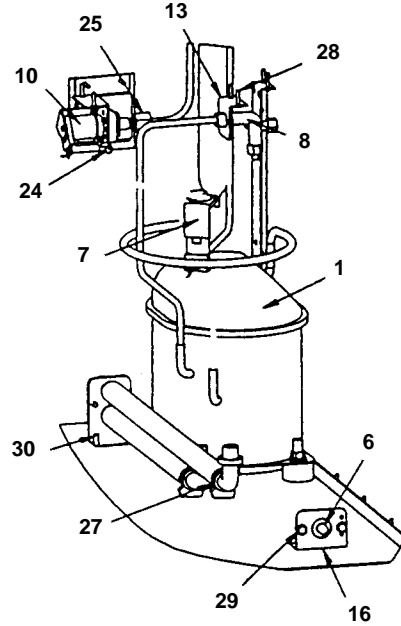
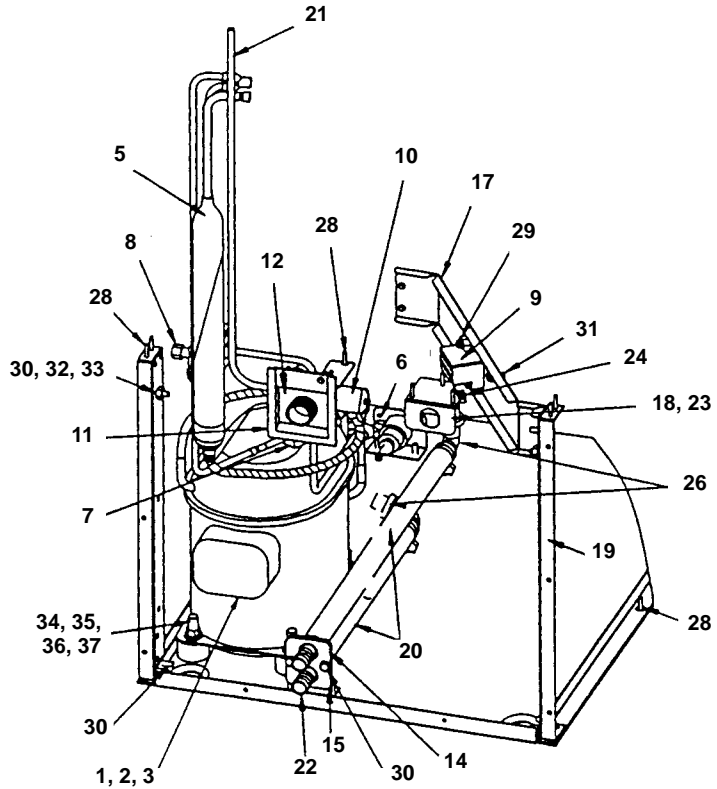


PT1108

	115V/60	230V/50	230V/60
1 Evaporator, 30 cube, assy	No Longer Available	same	same
2 Spray assembly	No Longer Available	same	same
3 Spray nozzle (uses 9)	No Longer Available	same	same
4 Water plug	† 4300629	same	same
5 Distribution tube - vinyl molded	No Longer Available	same	same
6 Thermal tube (for cube size ctl)	No Longer Available	same	same
7 Water curtain support	No Longer Available	same	same
8 Water curtain flap (uses 14)	No Longer Available	same	same
9 Water pump	† 7625523	† 1480279	† 1480279
10 Standpipe (near water pump)	No Longer Available	same	same
11 Vent, sump (behind water pump)	No Longer Available	same	same
12 Water pump lead	No Longer Available	same	same
13 Sump divider	No Longer Available	same	same
14 Rod for water curtain flaps	No Longer Available	same	same
15 Clip - evap/water tube	4302683	same	same
16 Clip - evaporator	No Longer Available	same	same
17 Clamp (on water pump)	† 5650539	same	same
18 Clamp on vinyl tube	† 5650039	same	same
19 Clamp to hold thermal tube	No Longer Available	same	same
20 Spacer	† 4302749	same	same
21 Lockwasher	† 5545169	same	same
22 Screw, 10-32 x 3/8	† 5027079	same	same
23 Screw, 8-18 x 5/9	† 5012259	same	same
24 Water Shield - Mylar	No Longer Available	same	same

† Refer to Cross Reference Guide

I45 COMPRESSOR COMPARTMENT



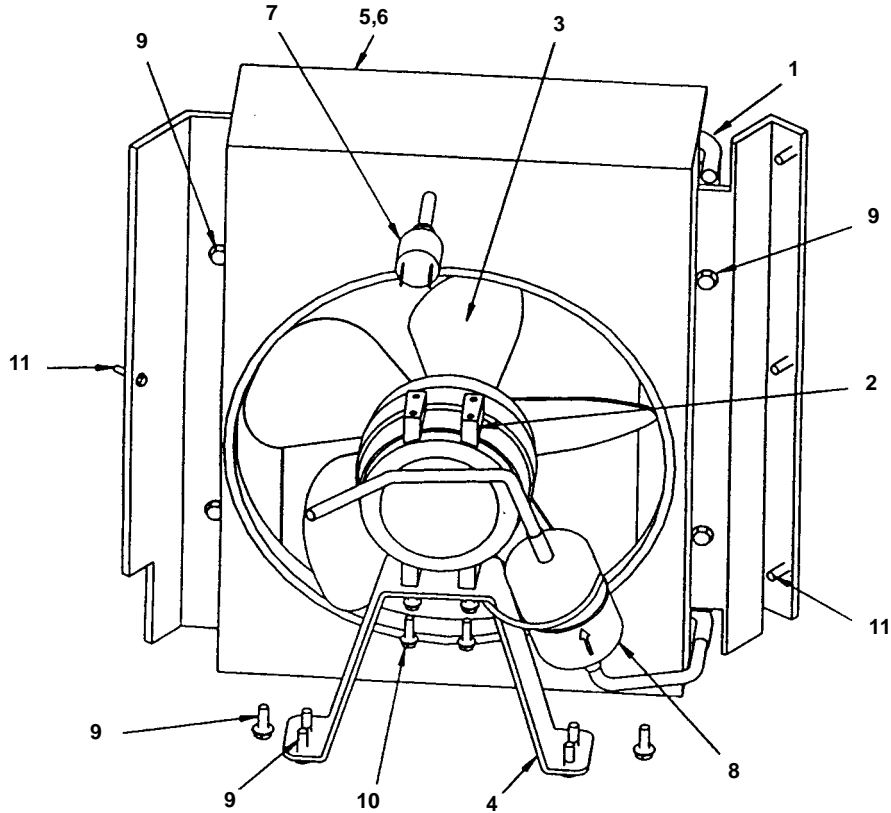
PT1104

1	Compressor
2	Overload
3	Relay
4	Start Capacitor
5	Cap tube/heat exch assy 125
6	High pressure Cut-out control
7	Hot gas solenoid valve (Danfoss)
8	Service valve
9	Terminal board
10	Water inlet valve
11	Water inlet splash guard
12	Bracket, inlet support
13	Bracket, service valve
14	Bracket, drain
15	Bracket, locking drain
16	Bracket, high pressure control
17	Bracket, upper shroud
18	Bracket, strain relief
19	Corner support
20	Tubing, vinyl, 0.625 ID
21	Tubing, poly, 0.025 OD
22	Drain fittings
23	Bushing, strain relief
24	Clip, blade grounding
25	Ferrule nut on water inlet valve
26	Elbow, 90D black poly (uses 2)
27	Plastic clamp
28	Screw, 8-18 x 5/8
29	Screw, #8 x 3/4
30	Screw, 10-24 x 1/2
31	Screw, 10-24 x 1/2
32	Washer, #10, lock
33	Hexnut 10-24 x 3/8
34	Rubber Grommet
35	Flatwasher 5/16
36	Hexnut 3/8 x 16
37	Sleeve 3/8 x 1
38	Reducer (sent w/unit) (Not shown)

	115V/60	230V/50	230V/60
	No Longer Available	No Longer Available	No Longer Available
	8504773	No Longer Available	No Longer Available
	8504753	No Longer Available	No Longer Available
	No Longer Available	No Longer Available	No Longer Available
	No Longer Available	same	same
	No Longer Available	same	same
	† 7630001	† 7630061	† 7630061
	† 8373109	same	same
	No Longer Available	same	same
	2405073	No Longer Available	No Longer Available
	No Longer Available	same	same
	No Longer Available	same	same
	6012771	same	same
	No Longer Available	same	same
	No Longer Available	same	same
	No Longer Available	same	same
	No Longer Available	same	same
	No Longer Available	same	same
	No Longer Available	same	same
	No Longer Available	same	same
	† 4420383	same	same
	4420291	same	same
	No Longer Available	same	same
	2512043	2512063	2512043
	2511103	same	same
	† 5650729	same	same
	No Longer Available	same	same
	† 5650609	same	same
	† 5012259	same	same
	† 5121669	same	same
	† 5202069	same	same
	† 5202169	same	same
	† 5545169	same	same
	No Longer Available	same	same
	† 8503069	same	same
	† 5573099	same	same
	5430029	same	same
	† 8503949	same	same
	No Longer Available	same	same

† Refer to Cross Reference Guide

I45 AIR-COOLED

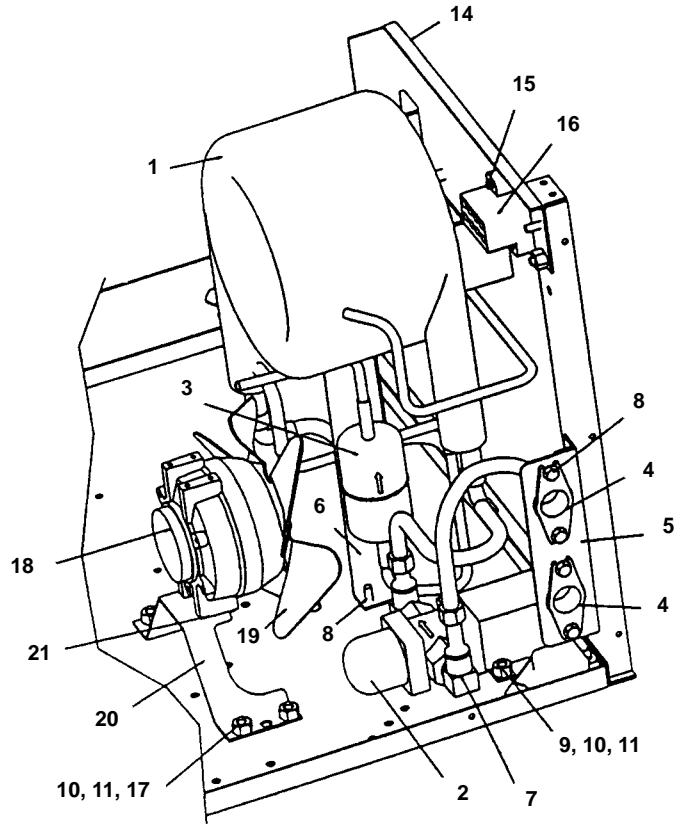
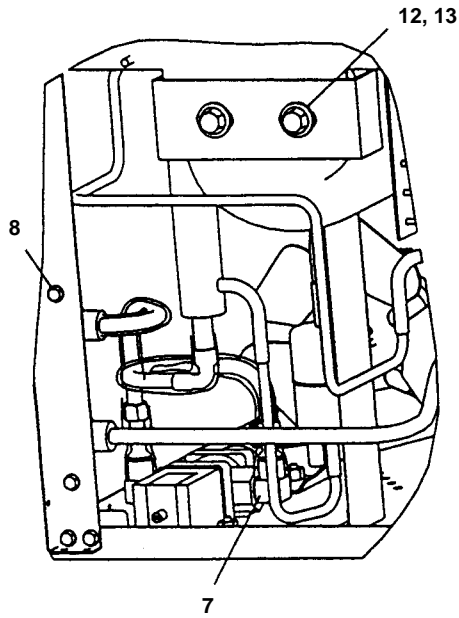


PT1105

		115V/60	230V/50	230V/60
1	Air condenser *	† 8851233	same	same
2	Fan motor 115V/60 Hz	† 2412813	† 2412823	† 2412823
3	Fan blade	† 2416021	same	same
4	Fan bracket	No Longer Available	same	same
5	Fan shroud (metal)	No Longer Available	same	same
6	Fan shroud (fiberboard)	7111753	same	same
7	Fan cycling control	No Longer Available	same	same
8	Drier	† 8930259	same	same
9	Screw, 10-24 x 1/2	† 5202069	same	same
10	Screw, 8-38 x 7/16	† 5025599	same	same
11	Screw, 8-18 x 5/8	† 5012259	same	same

* When replacing the air condenser on units prior to SN 861061802, you must order fiberboard shroud # 7111753.

I45 WATER-COOLED

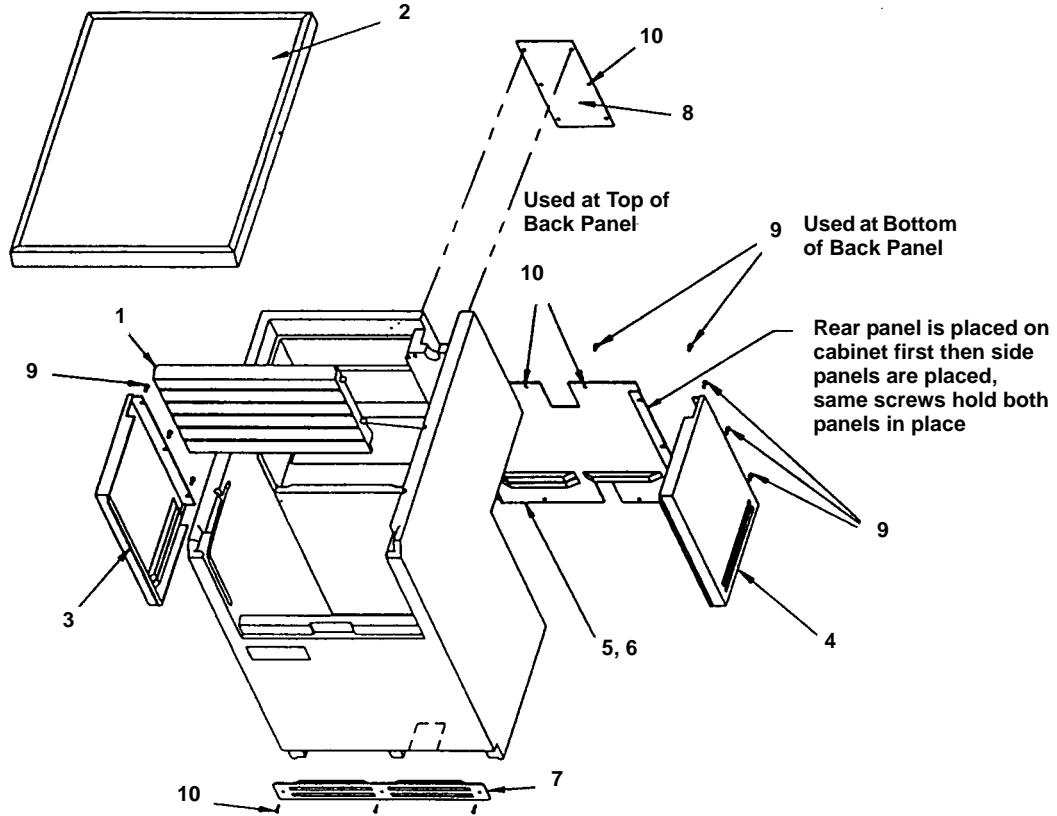


PT1110

	115V/60	230V/50	230V/60
1 Water condenser	8865223	same	same
2 Water regulating valve	No Longer Available	same	same
3 Drier	† 8930259	same	same
4 Adapter, 1/2 x 3/8	8706103	same	same
5 Bracket for adapter	No Longer Available	same	same
6 Bracket for drier	No Longer Available	same	same
7 Elbow, half union	No Longer Available	same	same
8 Screw, 10-24 x 1/2	† 5202069	same	same
9 Washer, #10 lock ext teeth	† 5545169	same	same
10 Screw 10-32 x 1/2	No Longer Available	same	same
11 Hex nut 10-32	No Longer Available	same	same
12 Washer	† 5573099	same	same
13 Screw, 1/4 x 20	5035683	same	same
14 Bracket to mount condenser	No Longer Available	same	same
15 Screw, #8 x 3/4	† 5121669	same	same
16 Terminal board	No Longer Available	same	same
17 Washer	† 5504279	same	same
18 Fan Motor to cool condenser	No Longer Available	No Longer Available	No Longer Available
19 Fan blade	2416263	same	same
20 Fan bracket	2418213	same	same
21 Screw to mount motor	† 5025599	same	same

† Refer to Cross Reference Guide

I45 CABINET



PT1109

1	Door	No Longer Available
2	Top cover	No Longer Available
3	Panel, Side LH	No Longer Available
4	Panel, Side RH	No Longer Available
5	Panel, rear, air cooled	No Longer Available
6	Panel, rear, water cooled	No Longer Available
7	Grill, front, vacuum formed	No Longer Available
8	Panel, tubing	No Longer Available
9	Screw, 10-24 x 1/2	† 5202069
10	Screw, 8-18 x 5/8	5012253
11	Ice Scoop (Not shown)	3302563

INTENTIONALLY LEFT BLANK