



Manitowoc
Foodservice
Parts Manual

For more Parts Information:

<https://manitowocfsg.sysonline.com/Default.aspx>

TABLE OF CONTENTS

Manitowoc Foodservice [Updated: Sep. 30, 2013]

Manitowoc - Ice & Related

Parts Catalog

Ice Machine

Ice/Bev Series

Ice/Bev Model - QuietQube

IB0600C, CVD0675

IB0600C Control Box 1

IB0600C Evaporator Compartment 3

IB0600C Refrigeration Compartment 5

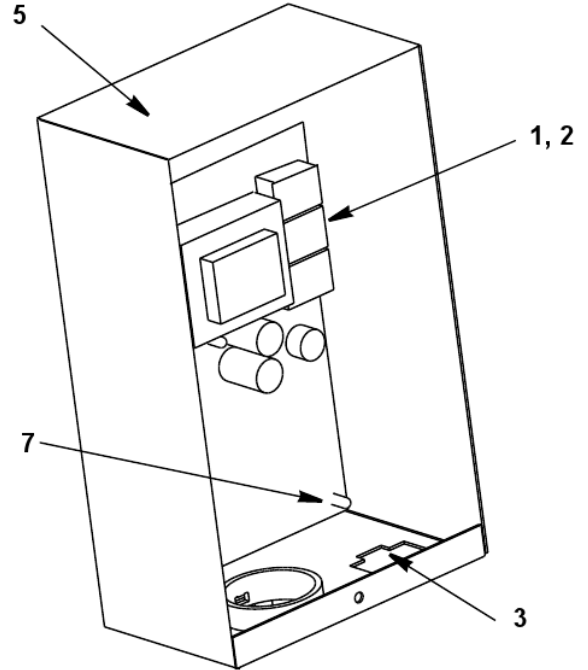
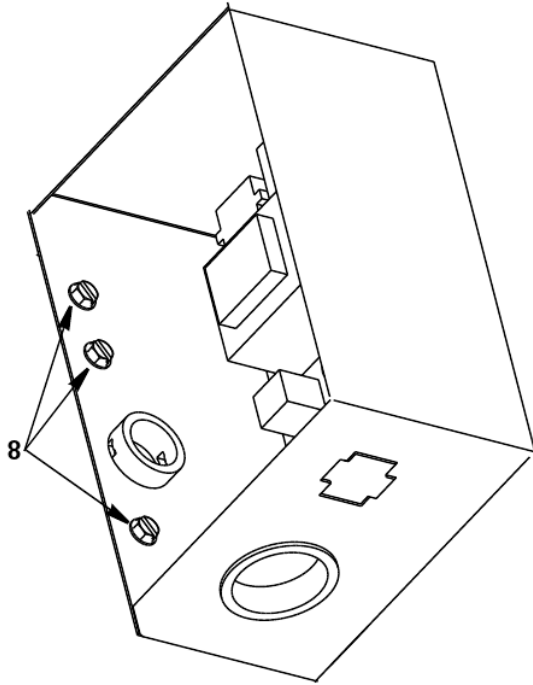
IB0600C Head Section Panels 8

CVD0675 Condensing Unit 10

CVD0675 Condensing Unit Panels 13

IB0600C, CVD0675

IB0600C CONTROL BOX



IB0600C, CVD0675

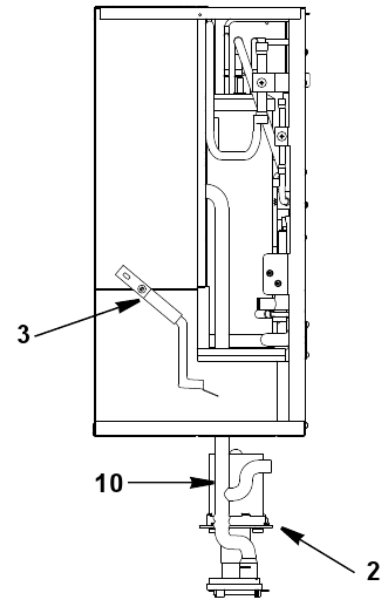
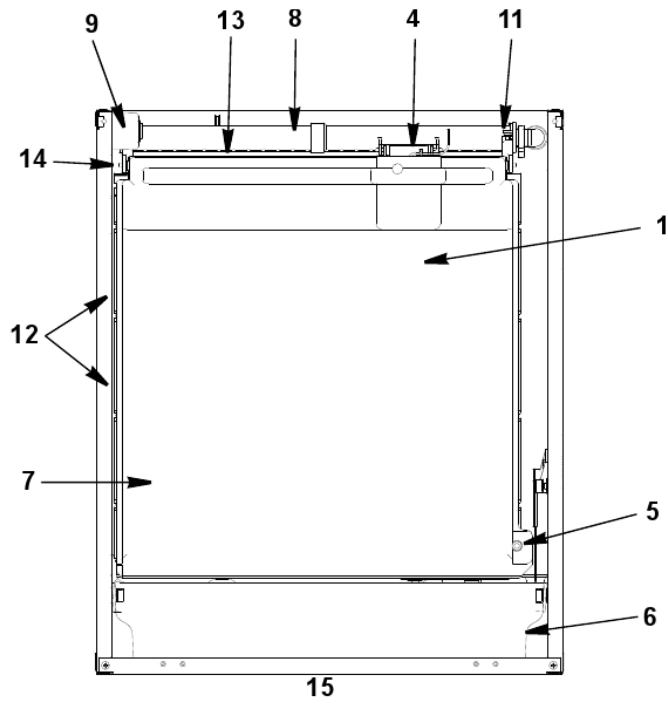
IB0600C CONTROL BOX

#	PART #	DESCRIPTION	QTY	Note
1		Control Board - See Note for Serial Break		
1a	2006199	Control Board		[1]
1b	7603513	Control Board		[2]
2	000008240	7 Amp Fuse - Mounted on Control Board		
3	2301343	Toggle Switch Only		
3a	2000633	Toggle Switch with Wiring Harness		
3b	4000563	Toggle Switch Box		
4		Wiring Harness		
4a	2001833	Wiring Harness - Compressor Compartment		
4b	2000773	Wiring Harness - Control Box		
5	6042391	Control Box		
6	7600633	Control Box Cover		
7	4302253	Control Board Mounting Supports		
8	5202169	Screw - #10-24 x 0.50" Ground		

PART NOTES:

- [1] - After Serial Number 050400000
- [2] - Before Serial Number 050400000 Includes Wiring Harness

IB0600C EVAPORATOR COMPARTMENT



IB0600C, CVD0675

IB0600C EVAPORATOR COMPARTMENT

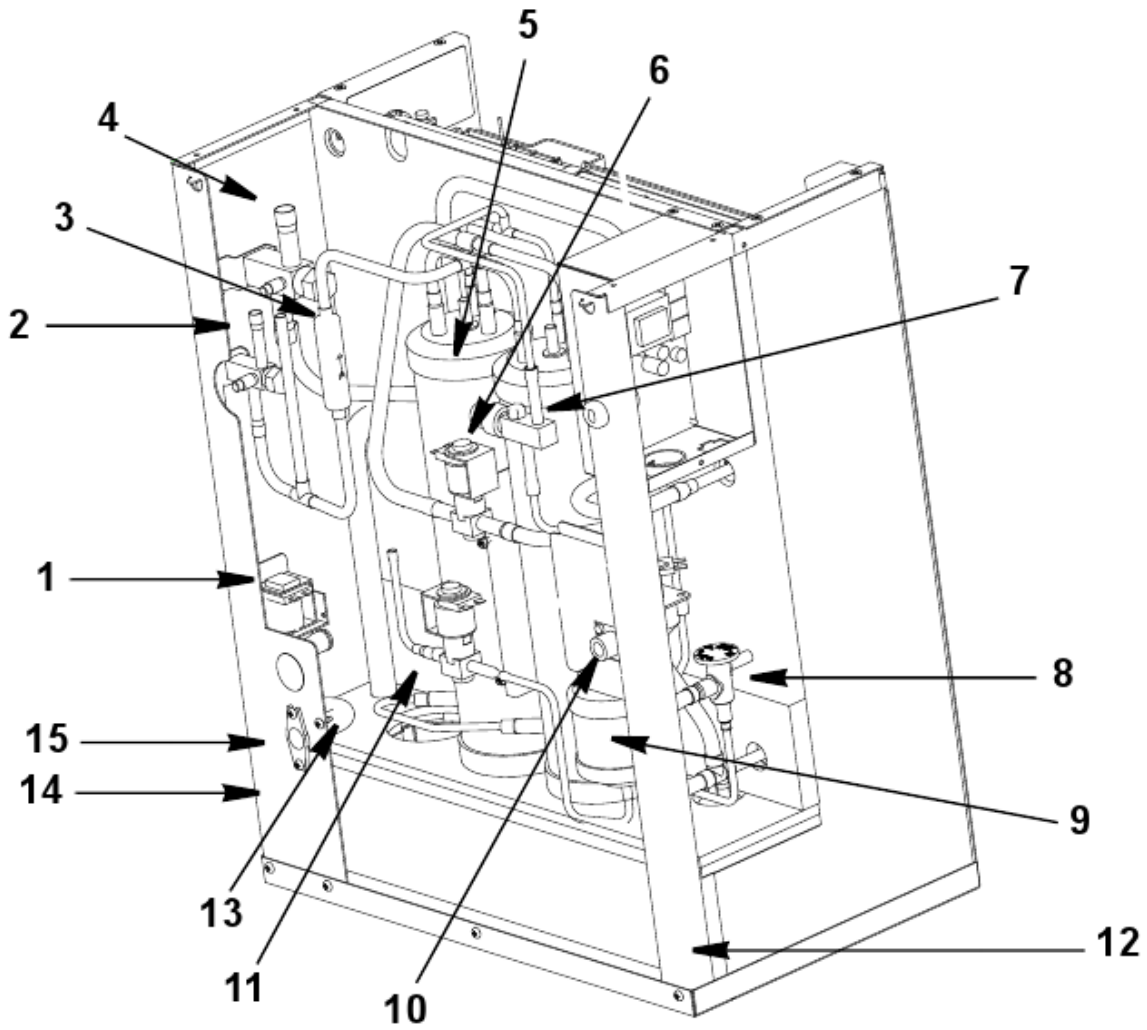
#	PART #	DESCRIPTION	QTY	Note
1		Evaporator Assembly		
1a	7625119	Evaporator - Dice Cube		
1b	7625109	Evaporator - Half Dice Cube		
2		Water Pump		
2a	2005713	Water Pump - 115V/60 Hz		
2b	2005723	Water Pump - 208-230V/50-60 Hz		
3	2000863	Water Level Probe		
4	7627813	Ice Thickness Control Probe		
5	2301483	Magnetic Bin Switch		[1]
6	4000523	Water Trough		
7	4304643	Water Curtain		
8	7624983	Water Distribution Tube - B/J/Q		
8a	5004649	O-Rings		
9	2301343	Toggle Switch Only		
9a	4000563	Toggle Switch Box		
9b	2000633	Toggle Switch with Wiring Harness		
10	4003223	Tubing		[2]
11	5000013	Thumbscrew - #8-32 x 0.375"		
12	5202189	Screw - #10-24 x 0.75"		
13	7626213	Evaporator Top Molding and Gasket Assembly		
14	7627763	Water Curtain Pin Assembly		
15	5000453	Wing-head Mounting Stud		
15a	5650853	Wing-head Receptacle		
16	000006488	Thermostat Probe with Bracket		
17	2009053	Temperature Control		
17a	6058701	Bracket - Temperature Control		

PART NOTES:

- [1] - Mounted to Evaporator
- [2] - Water Pump Out

IB0600C, CVD0675

IB0600C REFRIGERATION COMPARTMENT



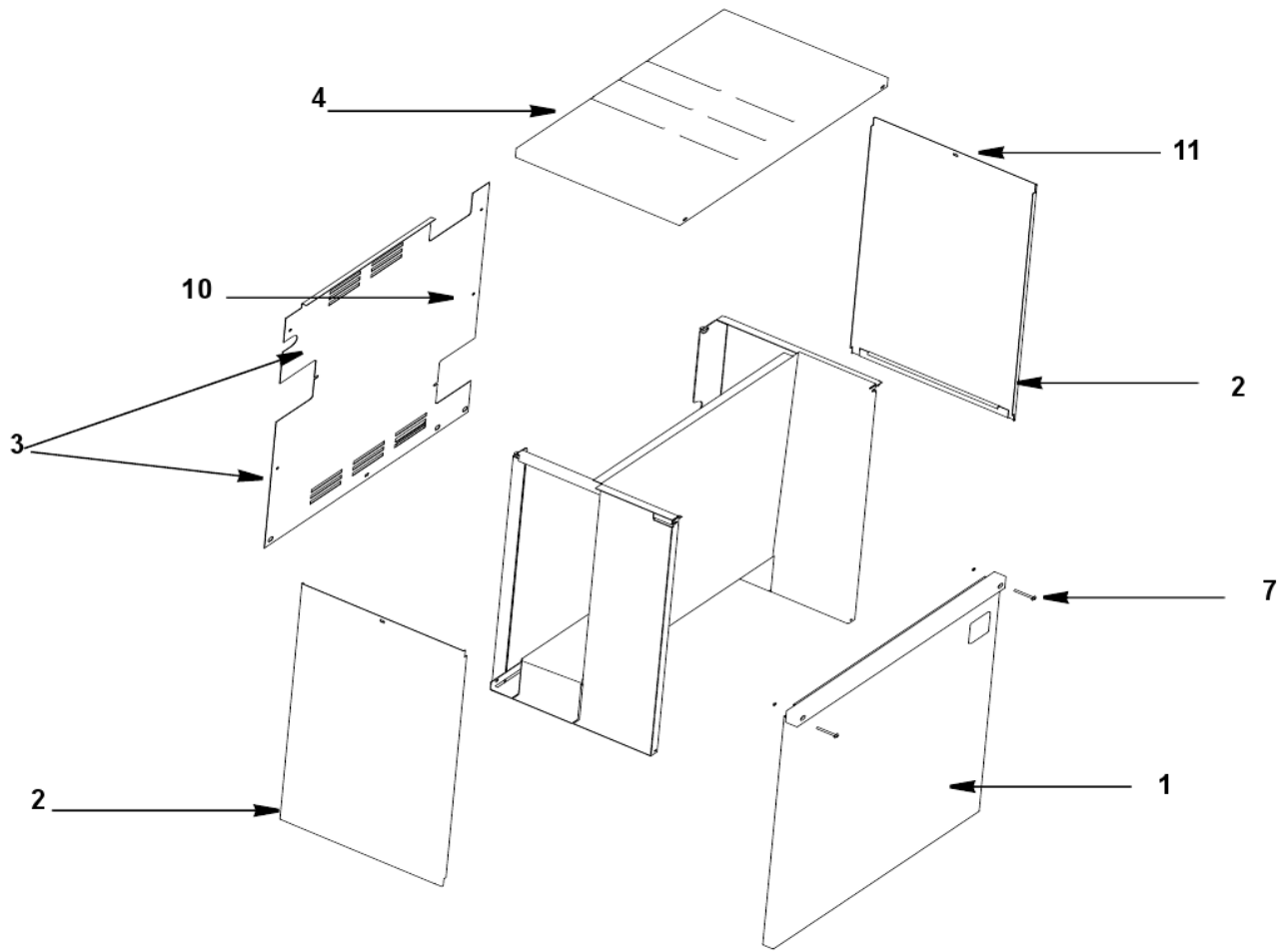
IB0600C, CVD0675

IB0600C REFRIGERATION COMPARTMENT

#	PART #	DESCRIPTION	QTY	Note
1		Water Dump Valve		
1a	000001767	Water Dump Valve - 115V/60 Hz		
1b	000001768	Water Dump Valve - 208-230V/50-60 Hz		
1c	No Longer Available	Fan Motor Run Capacitor		
2	8373293	Manual Shut-off Valve - Liquid Line		
2a	8373023	Valve Cap		
3	8373149	Magni-Check Valve - 0.375"		
4	8373303	Manual Shut-Off Valve - Suction Line		
4a	7600643	Insulation Boot		
4b	8373023	Valve Cap		
5	8250583	Receiver		
6		Cool Vapor Valve		
6a	7630051	Danfoss Solenoid Valve with Coil - 115V/60 Hz		
6b	000005156	Danfoss Solenoid Valve Coil Only - 115V/60 Hz		[1]
6c	2404363	Alco Solenoid Valve Coil Only - 115V/60 Hz		
6d	7630111	Danfoss Solenoid Valve with Coil - 230V/50-60 Hz		
6e	000005157	Danfoss Solenoid Valve Coil Only - 230V/50-60 Hz		[2]
6f	2404483	Alco Solenoid Valve Coil Only - 230V/50 Hz		
7	8373169	Receiver Service Valve		
7a	5650753	Caps for Refrigeration Service Valve		
8	7600213	Expansion Valve		
8a	4000403	Valve Insulation Boot - Body		
8b	4000923	Valve Insulation Boot - Bulb		
9	8930249	Drier		
10		Water Inlet Valve		
10a	000007965	Water Inlet Valve - 115V/60 Hz/1 Ph		
10b	000007966	Water Inlet Valve - 208-230V/50-60 Hz		
11		Liquid Line Solenoid Valve		
11a	7630011	Danfoss Solenoid Valve With Coil - 115V/60 Hz		
11b	000005156	Danfoss Solenoid Valve Coil Only - 115V/60 Hz		[1]
11c	2404363	Alco Solenoid Valve Coil Only - 115V/60 Hz		
11d	7630071	Danfoss Solenoid Valve With Coil - 208-230V/50-60 Hz		
11e	000005157	Danfoss Solenoid Valve Coil Only - 230V/50-60 Hz		[2]
11f	2404483	Alco Solenoid Valve Coil Only - 230V/50 Hz		
12	6054911	Left Corner Post		
13	4000863	Dump Valve Outlet Vinyl Tubing - 0.625" ID		
14	6054921	Right Corner Post		
15	8706083	Female Wing Adapter - 0.50"		
16	4000873	Water Inlet Fitting		
16a	5000383	Water Inlet Fitting Nut		
17		Power Cord		
17a	2033013	Power Cord - 115V		

IB0600C, CVD0675

IB0600C HEAD SECTION PANELS



IB0600C, CVD0675

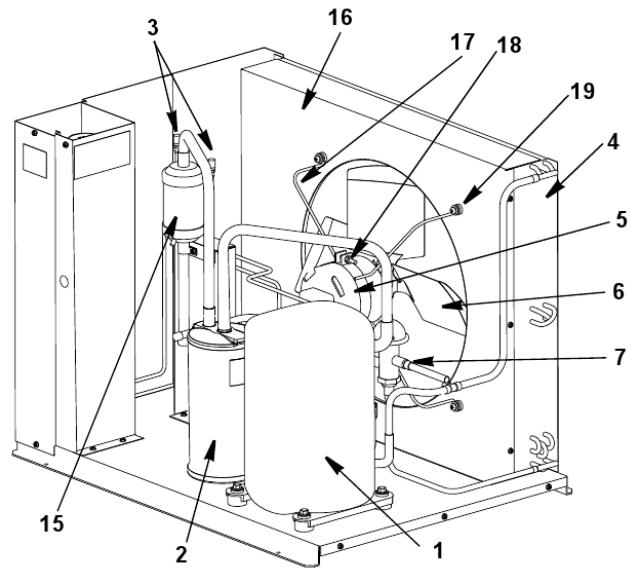
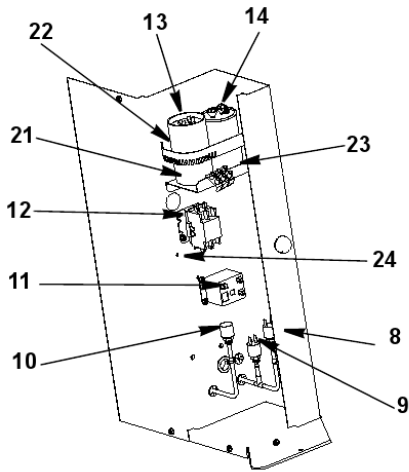
IB0600C HEAD SECTION PANELS

#	PART #	DESCRIPTION	QTY	Note
1	7601033	Front Panel		
1a	000007657	Top Endcap		
1b	000007658	Bottom Endcap		
2	6045391	Left/Right Side Panel		
3				
3a	6054851	Back Panel - Upper		
3b	6054864	Back Panel - Lower		
4	000007938	Cover Top		
5	4000603	Bottom Splash Shield		
6	5000453	Wing-head Mounting Stud		
6a	5650853	Receptacle		
7	5000399	Front Panel Screw		
8	3718199	O-ring		
9	5429109	Cage Nut to Mount Front Panel		
10	5000373	Screw - #10-24 x 0.50" PHIL		[1]
11	5202099	Screw - #10-24 x 0.50" PHIL		[2]
12	000000552	Cartoning		

PART NOTES:

- [1] - Mounts Rear Panels
- [2] - Mounts Side Panels

CVD0675 CONDENSING UNIT



IB0600C, CVD0675

CVD0675 CONDENSING UNIT

#	PART #	DESCRIPTION	QTY	Note
1		Compressor - See Note for Usage		
1a	7600053	Compressor - Copeland - 208-230V/50-60 Hz/1 Ph		[1]
1b	7600063	Compressor - Copeland - 208-230V/60 Hz/3 Ph		[2]
1c	7600073	Compressor - Copeland - 208-230V/50 Hz/1 Ph		[3]
2	000007280	Suction Accumulator		
3	8373253	Access Valve		
4	8851443	Air-cooled Condenser		
5		Fan Motor		
5a	2000189	Fan Motor - 208-230V/60 Hz/1-3 Ph		
5b	2000589	Fan Motor - 230-415V/50 Hz/1-3 Ph		
6	2416303	Fan Blade		
7	000004070	Head Pressure Control Valve		
8	2001263	Fan Cycling Control - 200-250 psig		[4]
9	2001243	High Pressure Cut-out Control		
10	2002229	Low Pressure Cut-out Control		
11	2007539	Start Potential Relay - 230V/50-60 Hz/1 Ph		
11a	2007549	Start Potential Relay - 50 Hz/1 Ph		
12	2410353	Contactator 50-60 Hz/1 Ph		
12a	2006619	Contactator - 230V/60 Hz/3 Ph		
13	000006454	Start Capacitor - 50-60 Hz/1 Ph		
13a	8505513	Start Capacitor - 50-60 Hz/1 Ph		
14	8503933	Run Capacitor - 115-230V/50-60 Hz/1 Ph		
15	8250539	Suction Line Filter		
16	6037041	Fan Shroud		
17	3006823	Fan Motor Mounting Bracket		
18	5033589	Mounting - Screw		
18a	5545119	Mounting - Lockwasher		
18b	5429529	Mounting - Hexnut		
19	5033589	Mounting - Screw		
19a	5545119	Mounting - Lockwasher		
19b	5573059	Mounting - Flatwasher		
19c	5429559	Mounting - Rubber Wellnut		
20	5202069	Screw - #10-24 x 0.50" HEX		[5]
21	6034981	Capacitor Mounting Bracket		
22	6021601	Capacitor Mounting Strap		
23	2006143	Terminal Block - 50 Hz - 3 Pole		[6]
24	5202169	Screw - #10-24 x 0.50" Ground		

PART NOTES:

- [1] - 208-230V/60 Hz/1 Ph
- [2] - 208-230V/60 Hz/3 Ph
- [3] - 208-230V/50 Hz/1 Ph
- [4] - \pages from 200126_09.jpg" width=150 height=306>

IB0600C, CVD0675

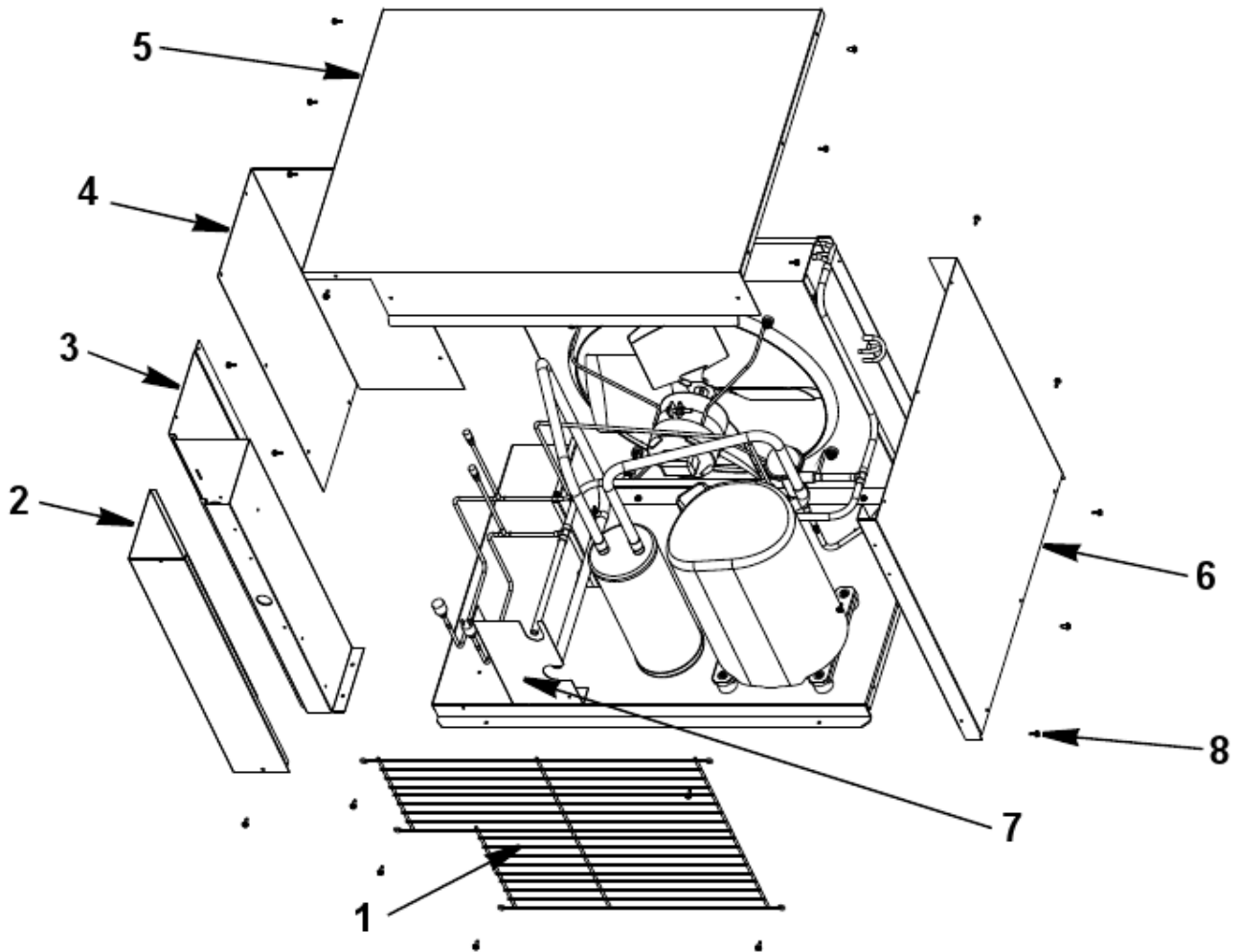
CVD0675 CONDENSING UNIT

#	PART #	DESCRIPTION	QTY	Note
---	--------	-------------	-----	------

PART NOTES:

- [5] - Panel Attachment
- [6] - 50 Hz Only

CVD0675 CONDENSING UNIT PANELS



IB0600C, CVD0675

CVD0675 CONDENSING UNIT PANELS

#	PART #	DESCRIPTION	QTY	Note
1	3406893	Condenser Fan Guard		
2	6040171	Control Box Cover		
3	6037071	Control Box Panel		
4	6037051	Left Side Panel		
5	6034751	Cover Top		
6	6034701	Right Side Panel		
7	6042261	Condensing Unit Tube Shield		
8	5202069	Screw - #10-24 x 0.50" HEX		
9	000000768	Cartoning		