



Manitowoc
Foodservice
Parts Manual

For more Parts Information:

<https://manitowocfsg.sysonline.com/Default.aspx>

TABLE OF CONTENTS

Manitowoc Foodservice [Updated: Sep. 30, 2013]

Manitowoc - Ice & Related

Parts Catalog

Ice Machine

Ice/Bev Series

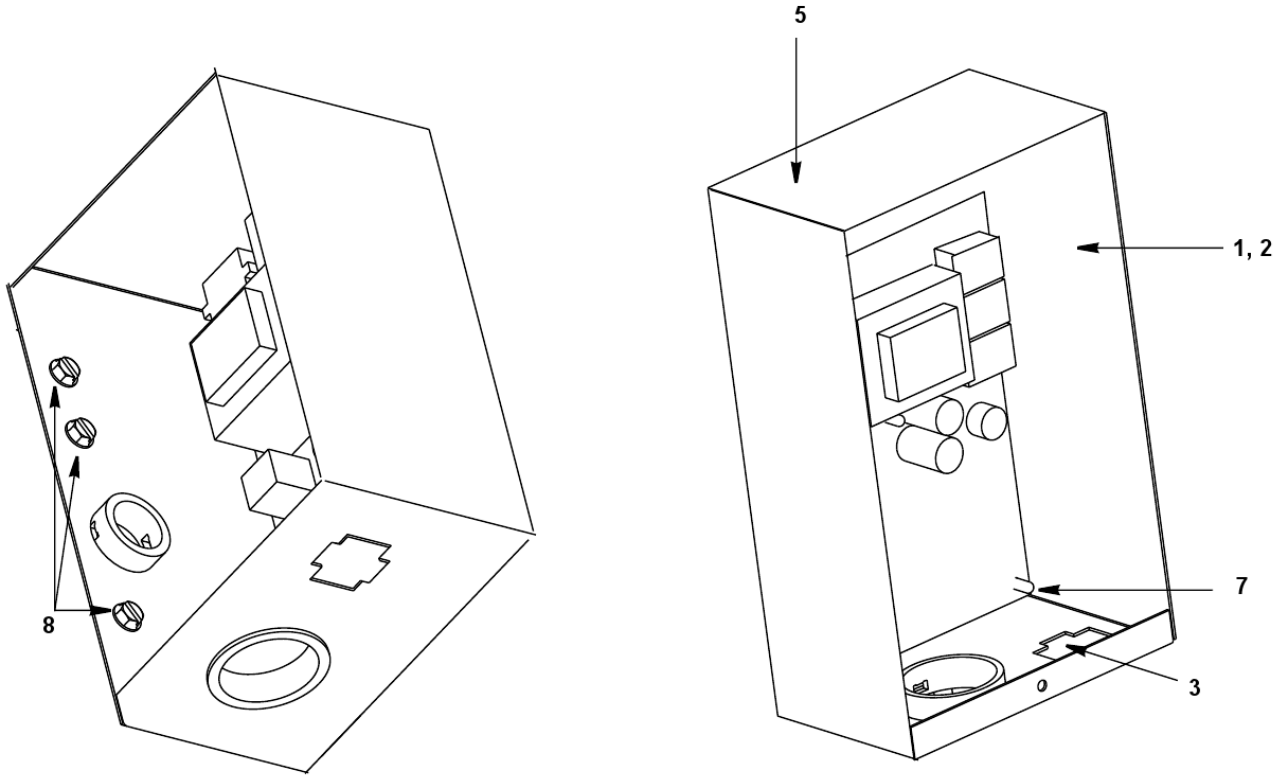
Ice/Bev Model - QuietQube

IB800C, CVD0875, CVD0885

IB800C Control Box	1
IB800C Evaporator Compartment	3
IB800C Refrigeration Compartment	5
IB800C Head Section Panels	8
CVD0875 Condensing Unit	10
CVD0875 Condensing Unit Panels	12
CVD0885 Condensing Unit	14
CVD0885 Condensing Unit Panels	17

IB0800C, CVD0875, CVD0885

IB800C CONTROL BOX



IB0800C, CVD0875, CVD0885

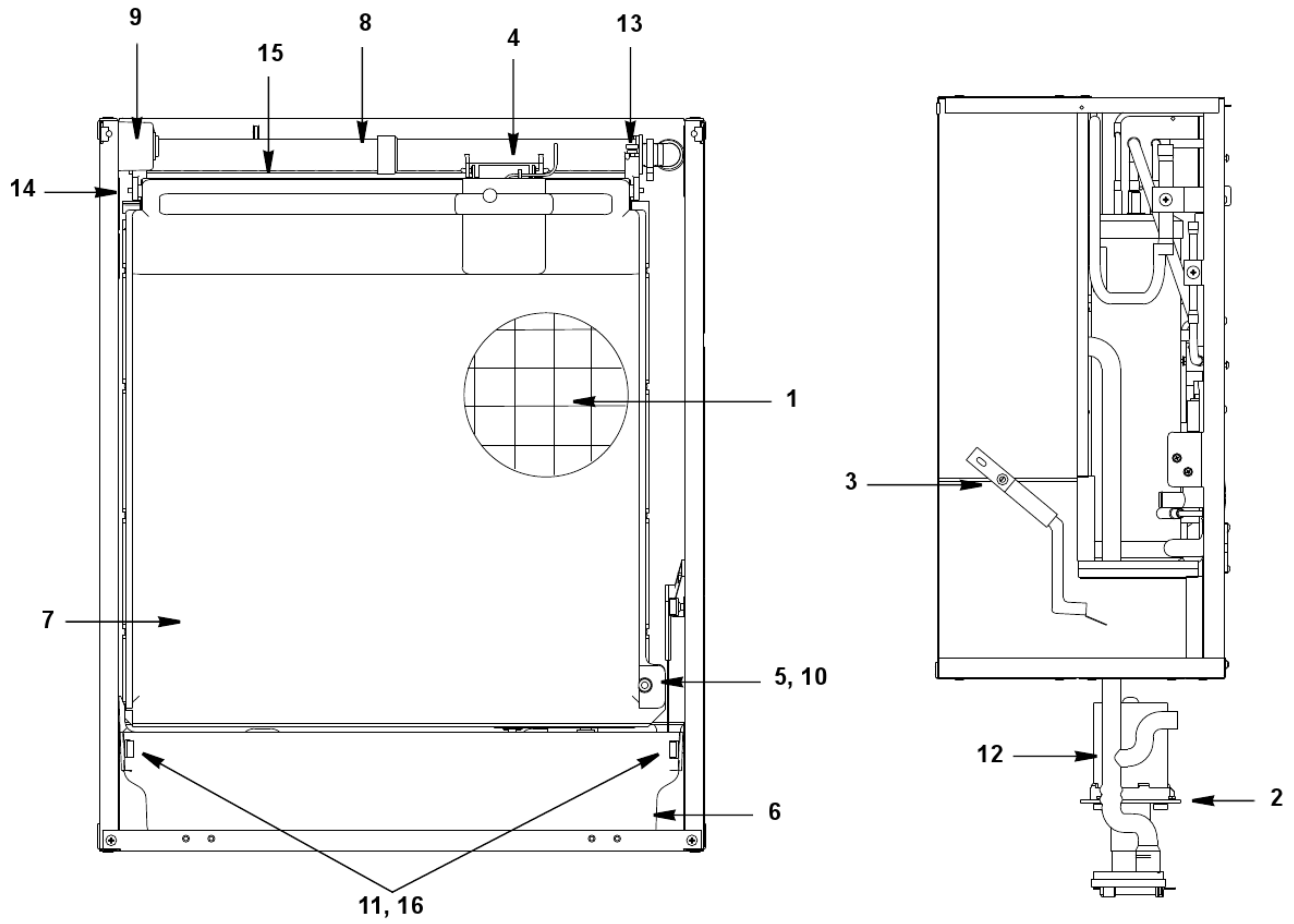
IB800C CONTROL BOX

#	PART #	DESCRIPTION	QTY	Note
1		Control Board - See Note for Serial Break		
1a	2006199	Control Board		[1]
1b	7603513	Control Board		[2]
2	000008240	7 Amp Fuse - Mounted on Control Board		
3	2000773	Wiring Harness - Control Box		
4	2001833	Wiring Harness - Compressor Compartment		
5	6042391	Control Box		
6	7600633	Control Box Cover		
7	4302253	Control Board Mounting Supports		
8	5202169	Screw - #10-24 x 0.50" Ground		

PART NOTES:

- [1] - After Serial Number 050400000
- [2] - Before Serial Number 050400000Includes wiring harness

IB800C EVAPORATOR COMPARTMENT



IB0800C, CVD0875, CVD0885

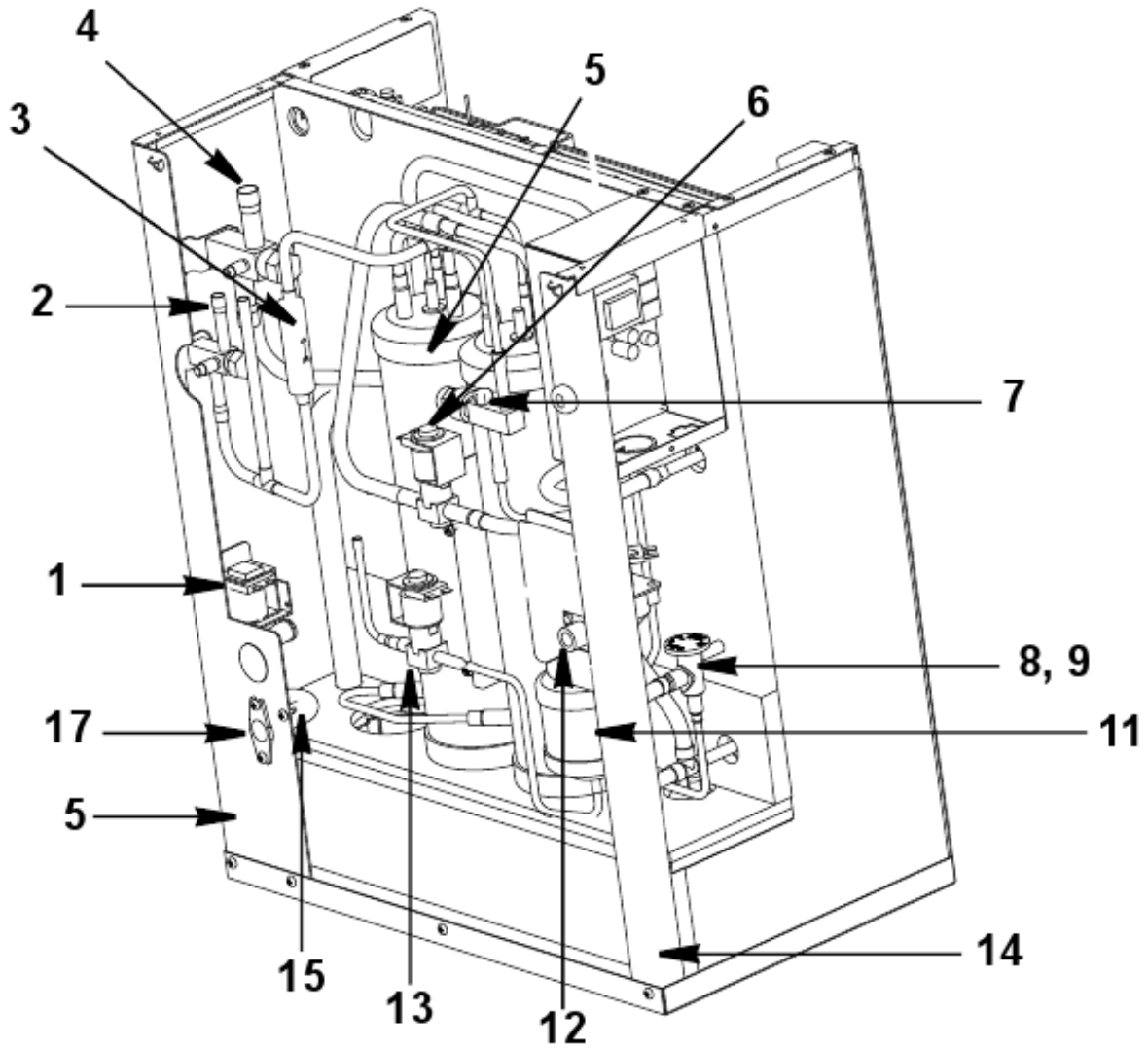
IB800C EVAPORATOR COMPARTMENT

#	PART #	DESCRIPTION	QTY	Note
1		Evaporator Assembly		[1]
1a	000002779	Evaporator - Dice Cube		[1]
1b	000002778	Evaporator - Half Dice Cube		[1]
1		Evaporator Assembly		[2]
1c	7600979	Evaporator - Dice Cube		[2]
1d	7600989	Evaporator - Half Dice Cube		[2]
2		Water Pump		
2a	2005713	Water Pump - 115V/60 Hz		
2b	2005723	Water Pump - 208-230V/50-60 Hz		
2c	2005723	Water Pump - 208-230V/50-60 Hz		
3	2000653	Water Level Probe		
4	7627813	Ice Thickness Control Probe		
5	2301483	Magnetic Bin Switch		
6	4000523	Water Trough		
7	4008513	Water Curtain		
8	7624983	Water Distribution Tube - B/J/Q		
8a	5004649	O-Rings		
9	2301343	Toggle Switch Only		
9a	4000563	Toggle Switch Box		
9b	2000633	Toggle Switch with Wiring Harness		
10	7628023	Water Curtain Magnet and Cap		
11	5000453	Wing-head Mounting Stud		[3]
12	4000993	Water Pump Out Tubing		
13	5000013	Thumbscrew - #8-32 x 0.375"		
14	7627763	Water Curtain Pin Assembly		
15	7626213	Evaporator Top Molding and Gasket Assembly		
16	5650853	Receptacle		[3]
17	000006488	Thermostat Probe with Bracket		
18	2009053	Temperature Control		
18a	6058701	Bracket - Temperature Control		

PART NOTES:

- [1] - After Serial Number 110682385
- [2] - Before Serial Number 110682385
- [3] - Water Trough and Water Pump Mounting

IB800C REFRIGERATION COMPARTMENT



IB0800C, CVD0875, CVD0885

IB800C REFRIGERATION COMPARTMENT

#	PART #	DESCRIPTION	QTY	Note
1		Water Dump Valve		
1a	000001767	Water Dump Valve - 115V/60 Hz		
1b	000001768	Water Dump Valve - 208-230V/50-60 Hz		
1c		Dump Valve Rebuild Kit		[1]
2	8373293	Manual Shut-off Valve - Liquid Line		
2a	8373023	Valve Cap		
3	8373149	Magni-Check Valve - 0.375"		
4	8373303	Manual Shut-Off Valve - Suction Line		
4a	8373023	Valve Cap		
5	8250583	Receiver		
6		Cool Vapor Valve		
6a	7630051	Solenoid Valve with Coil - 115V/60 Hz		[2]
6b	000002788	Solenoid Valve with Coil - 115V/60 Hz		[3]
6c	000005156	Danfoss Solenoid Valve Coil Only - 115V/60 Hz		[4]
6d	2404363	Alco Solenoid Valve Coil Only - 115V/60 Hz		
6e	7630111	Solenoid Valve with Coil - 230V/50-60 Hz		[2]
6f	7630121	Solenoid Valve with Coil - 208-230V		[3]
6g	000005157	Danfoss Solenoid Valve Coil Only - 230V/50-60 Hz		[5]
6h	2404483	Alco Solenoid Valve Coil Only - 230V/50 Hz		
7	8373169	Receiver Service Valve		
7a	5650753	Caps for Refrigeration Service Valve		
8		Expansion Valve		
8a	7600223	Expansion Valve		[6]
8b	7602253	Expansion Valve		[7]
9	7600643	Insulation Boot		
10	4000923	Valve Insulation Boot - Bulb		[8]
11	8930249	Drier		
12		Water Inlet Valve		
12a	000007965	Water Inlet Valve - 115V/60 Hz/1 Ph		
12b	000007966	Water Inlet Valve - 208-230V/50-60 Hz		
13		Liquid Line Solenoid Valve		
13a	7630011	Danfoss Solenoid Valve With Coil - 115V/60 Hz		
13b	000005156	Danfoss Solenoid Valve Coil Only - 115V/60 Hz		[4]
13c	2404363	Alco Solenoid Valve Coil Only - 115V/60 Hz		
13d	7630071	Danfoss Solenoid Valve With Coil - 208-230V/50-60 Hz		
13e	000005157	Danfoss Solenoid Valve Coil Only - 230V/50-60 Hz		[5]
13f	2404483	Alco Solenoid Valve Coil Only - 230V/50 Hz		
14	6054951	Left Corner Post		
15	4000863	Dump Valve Outlet Vinyl Tubing - 0.625" ID		
15a	4000913	Dump Valve Tubing Insulation		
16	60423811	Right Corner Post		
17	8706083	Female Wing Adapter - 0.50"		

IB0800C, CVD0875, CVD0885

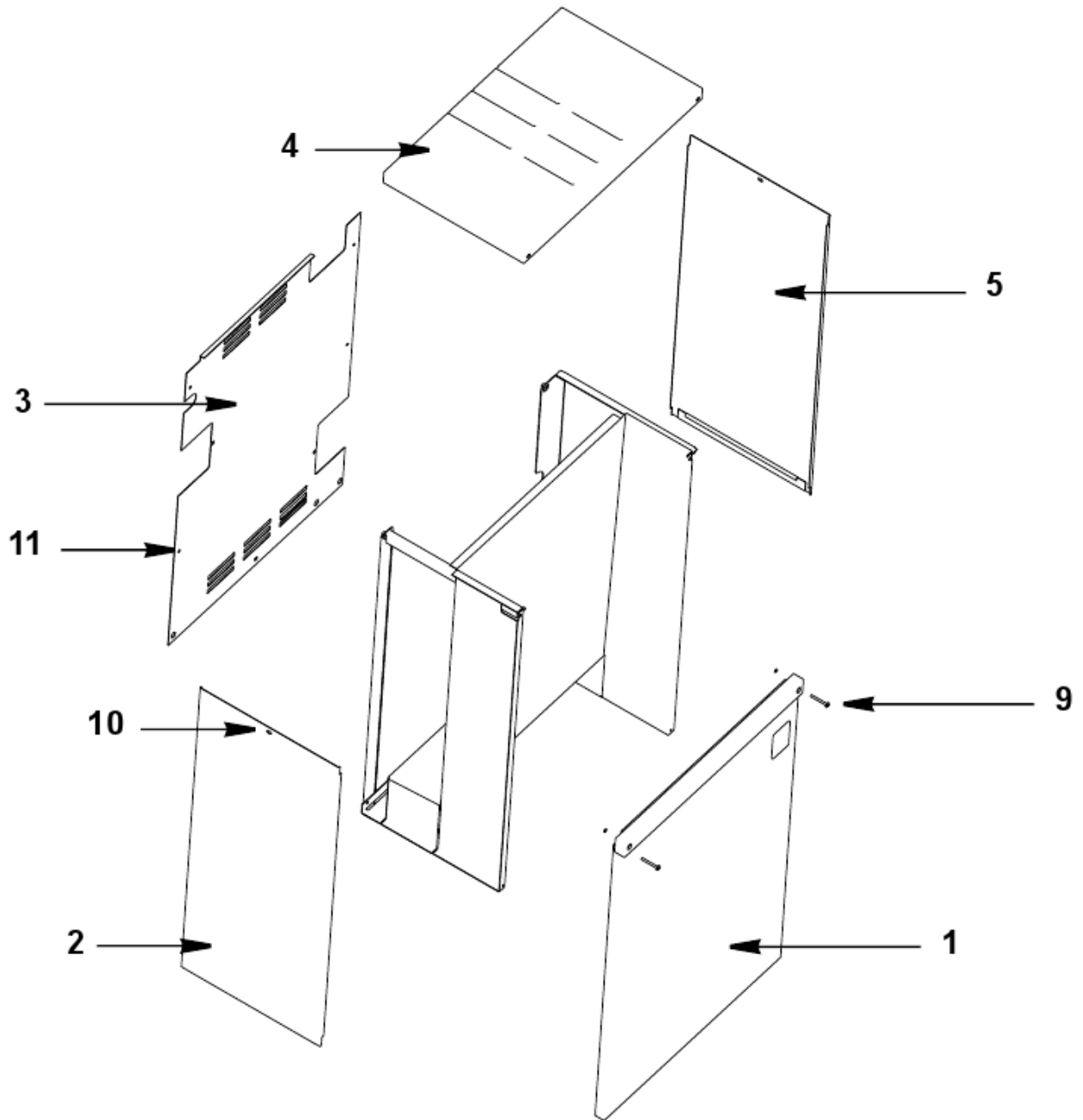
IB800C REFRIGERATION COMPARTMENT

#	PART #	DESCRIPTION	QTY	Note
18	5650709	Snap Clamp - 0.799"/0.899" ID		
19	5650529	Clamp - Expansion Valve Bulb		
19a	3000503	Strap - Expansion Valve Bulb - 0.5"		
20	6043151	Receiver Bracket		[9]
21	6043141	Receiver Mounting Bracket		[10]
22	4000873	Water Inlet Fitting		
22a	5000383	Water Inlet Fitting Nut		

PART NOTES:

- [1] - No Longer Available
- [2] - Danfoss Before Serial Number 110682385
- [3] - Danfoss After Serial Number 110682385
- [4] - \pages from 000005156_02.jpg" width=280 height=256>
- [5] - \pages from 000005156_02.jpg" width=266 height=183>
- [6] - Before Serial Number 110682385
- [7] - After Serial Number 110682385
- [8] - Not shown
- [9] - Mounts to Receiver Bracket
- [10] - Mounts to Bulkhead

IB800C HEAD SECTION PANELS



IB0800C, CVD0875, CVD0885

IB800C HEAD SECTION PANELS

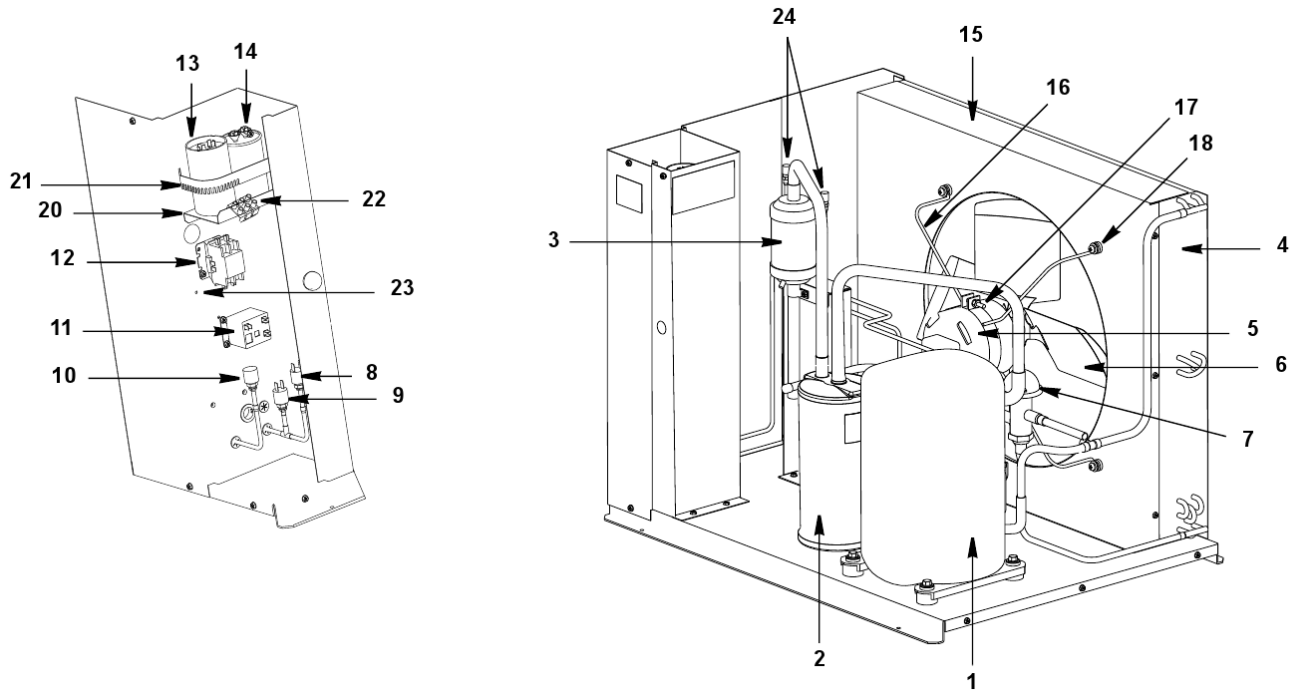
#	PART #	DESCRIPTION	QTY	Note
1	7601043	Front Panel		
1a	000007657	Top Endcap		
1b	000007658	Bottom Endcap		
2	6043191	Right Side Panel		
3	6043581	Back Panel		
4	000007938	Cover Top		
5	6043191	Right Side Panel		
6	000000138	Front Angles		
7	4000603	Bottom Splash Shield		
8	5000453	Wing-head Mounting Stud		
8a	5650853	Wing-head Receptacle		
9	5119019	Screw - #8 x 1.75"		
9a	5573389	Washer - Nylon 0.171" x 0.38"		
9b	5648279	Screw Retainer - Nylon #8		
9c	5474913	Speed Nut Assembly to Mount Front Cover		[1]
9d	5429109	Cage Nut to Mount Front Panel		[2]
10	5202099	Screw - #10-24 x 0.50" PHIL		[3]
11	5000373	Screw - #10-24 x 0.50" PHIL		[4]
12		Refrigeration Line Service Loop		[5]
12a	6044321	Liquid Line		
12b	6044311	Suction Line		
13	000000551	Cartoning		

PART NOTES:

- [1] - Round Hole
- [2] - Square Hole
- [3] - Mounts Side Panels
- [4] - Mounts Rear Panels
- [5] - Brazed to Shut-off Valves

IB0800C, CVD0875, CVD0885

CVD0875 CONDENSING UNIT



IB0800C, CVD0875, CVD0885

CVD0875 CONDENSING UNIT

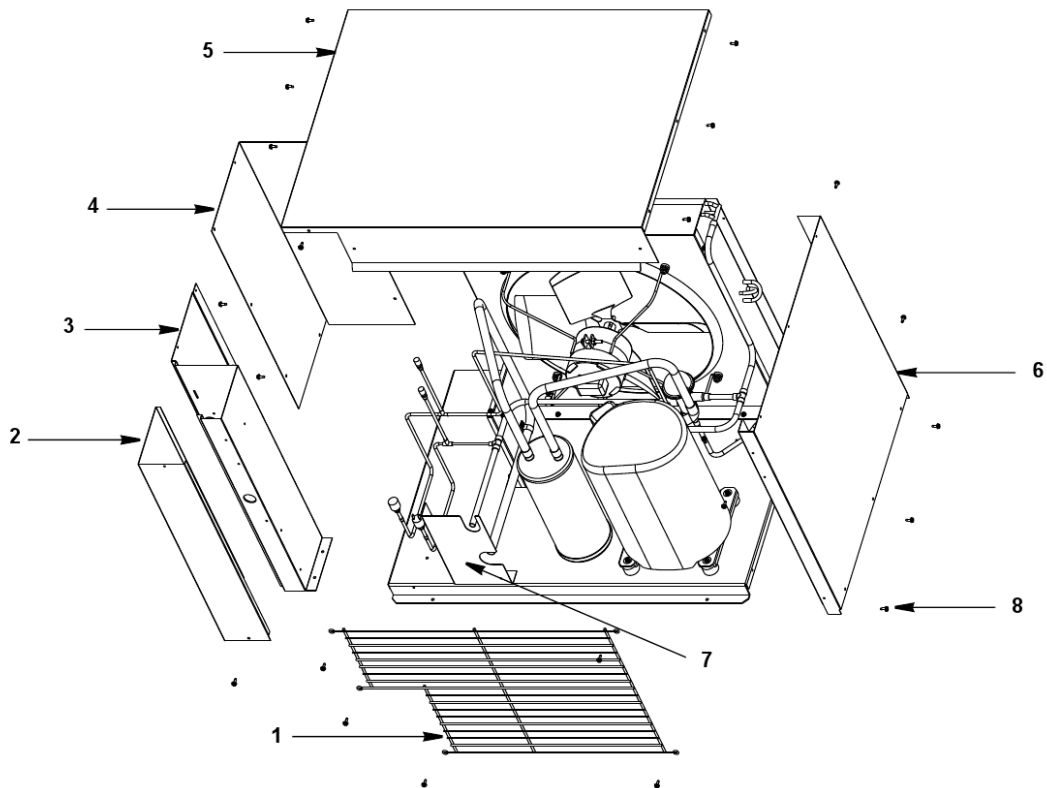
#	PART #	DESCRIPTION	QTY	Note
		NOTE: IB800C has two options for condensing units (CVD875 & CVD885), verify your condensing unit model prior to ordering parts.		
1		Compressor		
1a	7600083	Compressor - Copeland - 208-230V/60 Hz/1 Ph		
1b	7600093	Compressor - Copeland - 208-230V/60 Hz/3 Ph		
1c	7600103	Compressor - Copeland - 208-230V/50 Hz/1 Ph		
2	000007280	Suction Accumulator		
3	8250539	Suction Line Filter		
4	8851453	Air-cooled Condenser		
5		Fan Motor		
5a	2000189	Fan Motor - 208-230V/60 Hz/1-3 Ph		
5b	2000589	Fan Motor - 230-415V/50 Hz/1-3 Ph		
6	2416303	Fan Blade		
7	000000396	Head Pressure Control Valve		
8	2001263	Fan Cycling Control - 200-250 psig		[1]
9	2001243	High Pressure Cut-out Control		
10	2002229	Low Pressure Cut-out Control		
11	2007559	Start Potential Relay - 50-60 Hz/1 Ph		
11a	2007539	Start Potential Relay - 230V/50-60 Hz/1 Ph		
12	2410353	Contactator 50-60 Hz/1 Ph		
12a	2006619	Contactator - 230V/60 Hz/3 Ph		
13	000006454	Start Capacitor - 50-60 Hz/1 Ph		
14	2010133	Run Capacitor - 115-230V/50-60 Hz/1 Ph		
15	6037041	Fan Shroud		
16	3006823	Fan Motor Mounting Bracket		
17	5033589	Mounting - Screw		
17a	5545119	Mounting - Lockwasher		
17b	5429529	Mounting - Hexnut		
18	5033589	Mounting - Screw		
18a	5545119	Mounting - Lockwasher		
18b	5573059	Mounting - Flatwasher		
18c	5429559	Mounting - Rubber Wellnut		
19	5202069	Screw - #10-24 x 0.50" HEX		[2]
20	6034981	Capacitor Mounting Bracket		
21	6021601	Capacitor Mounting Strap		
22	2006143	Terminal Block - 50 Hz - 3 Pole		[3]
23	5202169	Screw - #10-24 x 0.50" Ground		
24	8373253	Access Valve		

PART NOTES:

- [1] - \pages from 200126_09.jpg" width=150 height=306>
- [2] - Used for Panel Attachment
- [3] - 50 Hz Only

IB0800C, CVD0875, CVD0885

CVD0875 CONDENSING UNIT PANELS



NOTE: IB800C has two options for condensing units (CVD875 & CVD885), verify your condensing unit mode ordering parts.

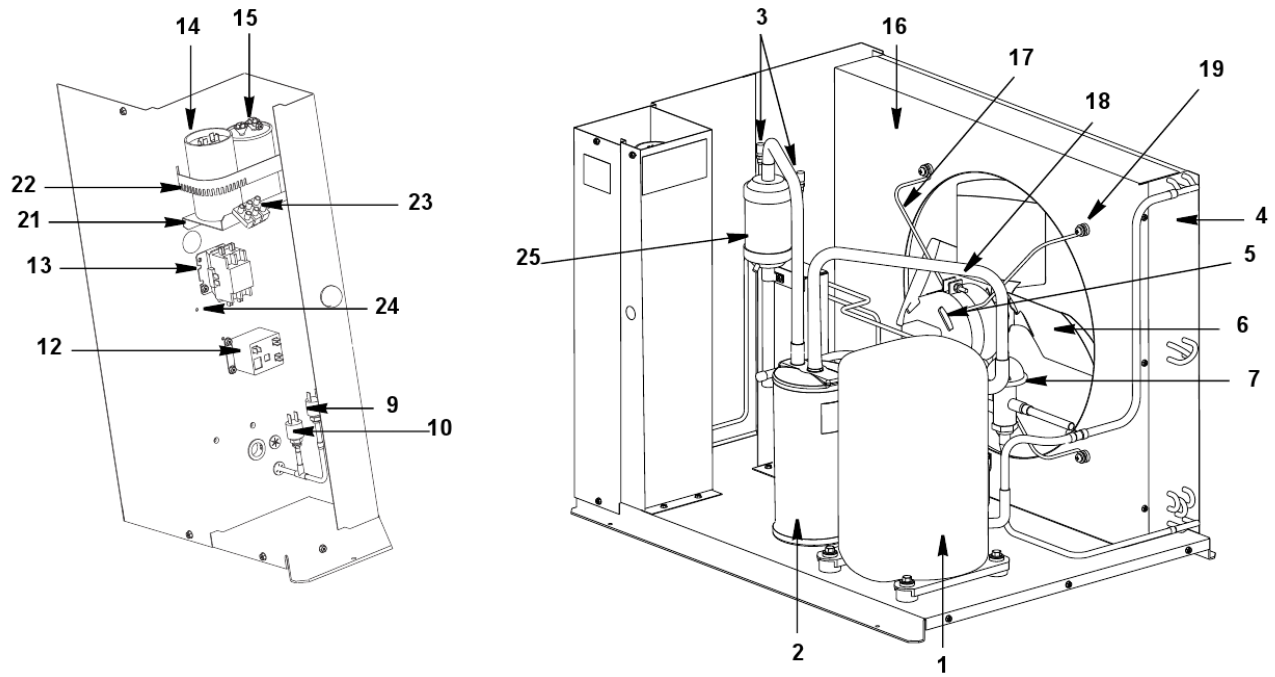
IB0800C, CVD0875, CVD0885

CVD0875 CONDENSING UNIT PANELS

#	PART #	DESCRIPTION	QTY	Note
1	3406893	Condenser Fan Guard		
2	6040171	Control Box Cover		
3	6037071	Control Box Panel		
4	6037051	Left Side Panel		
5	6034751	Cover Top		
6	6034701	Right Side Panel		
7	6037091	Bracket		
8	5202069	Screw - #10-24 x 0.50" HEX		
9	000000768	Cartoning		

IB0800C, CVD0875, CVD0885

CVD0885 CONDENSING UNIT



IB0800C, CVD0875, CVD0885

CVD0885 CONDENSING UNIT

#	PART #	DESCRIPTION	QTY	Note
		NOTE: IB0800C has two options for condensing units (CVD875 & CVD885), verify your condensing unit model prior to ordering parts.		
1		Compressor		[1]
1a	000008723	Compressor - Copeland - 208-230V/60 Hz/1 Ph		[1]
1b	000008724	Compressor - Copeland - 208-230V/60 Hz/3 Ph		[1]
1c	000008725	Compressor - Copeland - 208-230V/50 Hz/1 Ph		[1]
1		Compressor		[2]
1a	7602223	Compressor - Copeland - 208-230V/60 Hz/1 Ph		[2]
1b	7602233	Compressor - Copeland - 208-230V/60 Hz/3 Ph		[2]
1c	7602243	Compressor - Copeland - 220-240V/50 Hz/ 1 Ph		[2]
2	000007281	Suction Accumulator		
3	8373253	Access Valve		
4	8851453	Air-cooled Condenser		
5		Fan Motor		
5a	2000189	Fan Motor - 208-230V/60 Hz/1-3 Ph		
5b	2000589	Fan Motor - 230-415V/50 Hz/1-3 Ph		
6	2416303	Fan Blade		
7	000000396	Head Pressure Control Valve		
8	000001289	Check Valve		
9	2001263	Fan Cycling Control - 200-250 psig		[3]
10	2001243	High Pressure Cut-out Control		
11	2002229	Low Pressure Cut-out Control		
12	2007539	Start Potential Relay - 230V/50-60 Hz/1 Ph		
12a	2007549	Start Potential Relay - 50 Hz/1 Ph		
13	2006609	Contactactor - 208-230V/50-60 Hz/1 Ph		
13a	2006619	Contactactor - 230V/60 Hz/3 Ph		
14		Start Capacitor		
14a	000006454	Start Capacitor - 50-60 Hz/1 Ph		
14b	8505513	Start Capacitor - 50-60 Hz/1 Ph		
15	8503933	Run Capacitor - 115-230V/50-60 Hz/1 Ph		
16	6037041	Fan Shroud		
17	3006823	Fan Motor Mounting Bracket		
18	5033589	Mounting - Screw		
18a	5545119	Mounting - Lockwasher		
18b	5429529	Mounting - Hexnut		
19	5033589	Mounting - Screw		
19a	5545119	Mounting - Lockwasher		
19b	5573059	Mounting - Flatwasher		
19c	5429559	Mounting - Rubber Wellnut		
20	5202069	Screw - #10-24 x 0.50" HEX		[4]
21	6034981	Capacitor Mounting Bracket		
22	6021601	Capacitor Mounting Strap		
23	2006143	Terminal Block - 50 Hz - 3 Pole		[5]

IB0800C, CVD0875, CVD0885

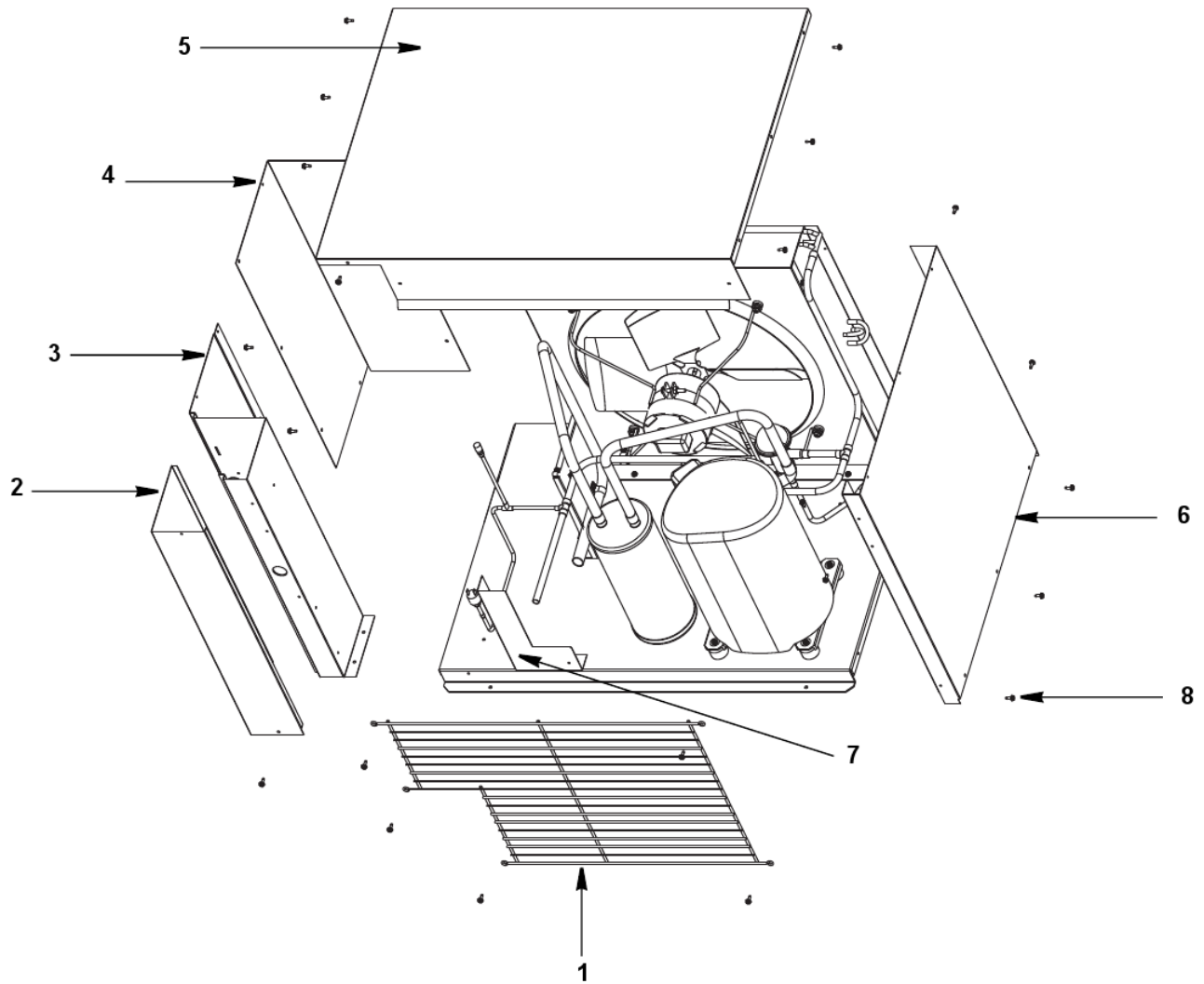
CVD0885 CONDENSING UNIT

#	PART #	DESCRIPTION	QTY	Note
24	5202169	Screw - #10-24 x 0.50" Ground		
25	8250539	Suction Line Filter		
26		Wiring Harness		
26a	000006532	Wiring Harness - 230V/60 Hz/1 Ph		
26b	000006531	Wiring Harness - 230V/50 Hz/1 Ph		
26c	2033089	Wiring Harness - 230V/60 Hz/3 Ph		

PART NOTES:

- [1] - After Serial Number 110673885
- [2] - Before Serial Number 110673885
- [3] - \pages from 200126_09.jpg" width=150 height=306>
- [4] - Used for Panel Attachment & shy;
- [5] - 50 Hz Only

CVD0885 CONDENSING UNIT PANELS



IB0800C, CVD0875, CVD0885

CVD0885 CONDENSING UNIT PANELS

#	PART #	DESCRIPTION	QTY	Note
		NOTE: IB800C has two options for condensing units (CVD875 & CVD885), verify your condensing unit model prior to ordering parts.		
1	3406893	Condenser Fan Guard		
2	6040171	Control Box Cover		
3	6037071	Control Box Panel		
4	6037051	Left Side Panel		
5	6034751	Cover Top		
6	6034701	Right Side Panel		
7	6042261	Condensing Unit Tube Shield		
8	5202069	Screw - #10-24 x 0.50" HEX		
9	000000768	Cartoning		