



***Manitowoc***  
**Foodservice**  
**Parts Manual**

For more Parts Information:

<https://manitowocfsg.sysonline.com/Default.aspx>

# TABLE OF CONTENTS

Manitowoc Foodservice [Updated: Sep. 30, 2013]

Manitowoc - Ice & Related

Parts Catalog

Ice Machine

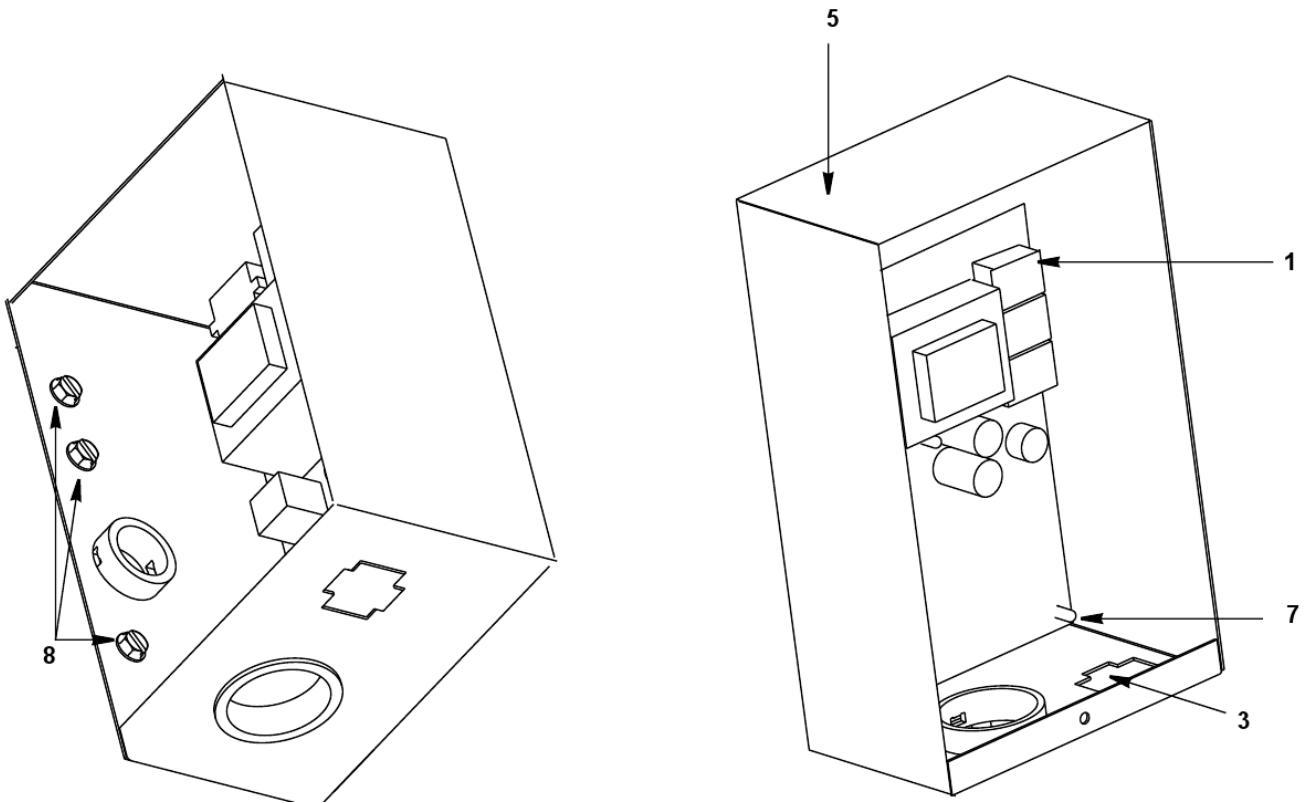
Ice/Bev Series

Ice/Bev Model - QuietQube

IB1000C, CVD1075, CVD1085, CVD1285, CVD1185

IB1000C Control Box.....	1
IB1000C Evaporator Compartment.....	3
IB1000C Refrigeration Compartment.....	5
IB1000C Head Section Panels.....	8
CVD1075 Condensing Unit.....	10
CVD1075 Condensing Unit Panels.....	13
CVD1085 Condensing Unit.....	15
CVD1085 Condensing Unit Panels.....	18
CVD1285 Condensing Unit.....	20
CVD1285 Condensing Unit Panels.....	23
CVD1185 Condensing Unit.....	25
CVD1185 Condensing Unit Panels.....	28

IB1000C CONTROL BOX



# IB1000C, CVD1075, CVD1085, CVD1285, CVD1185

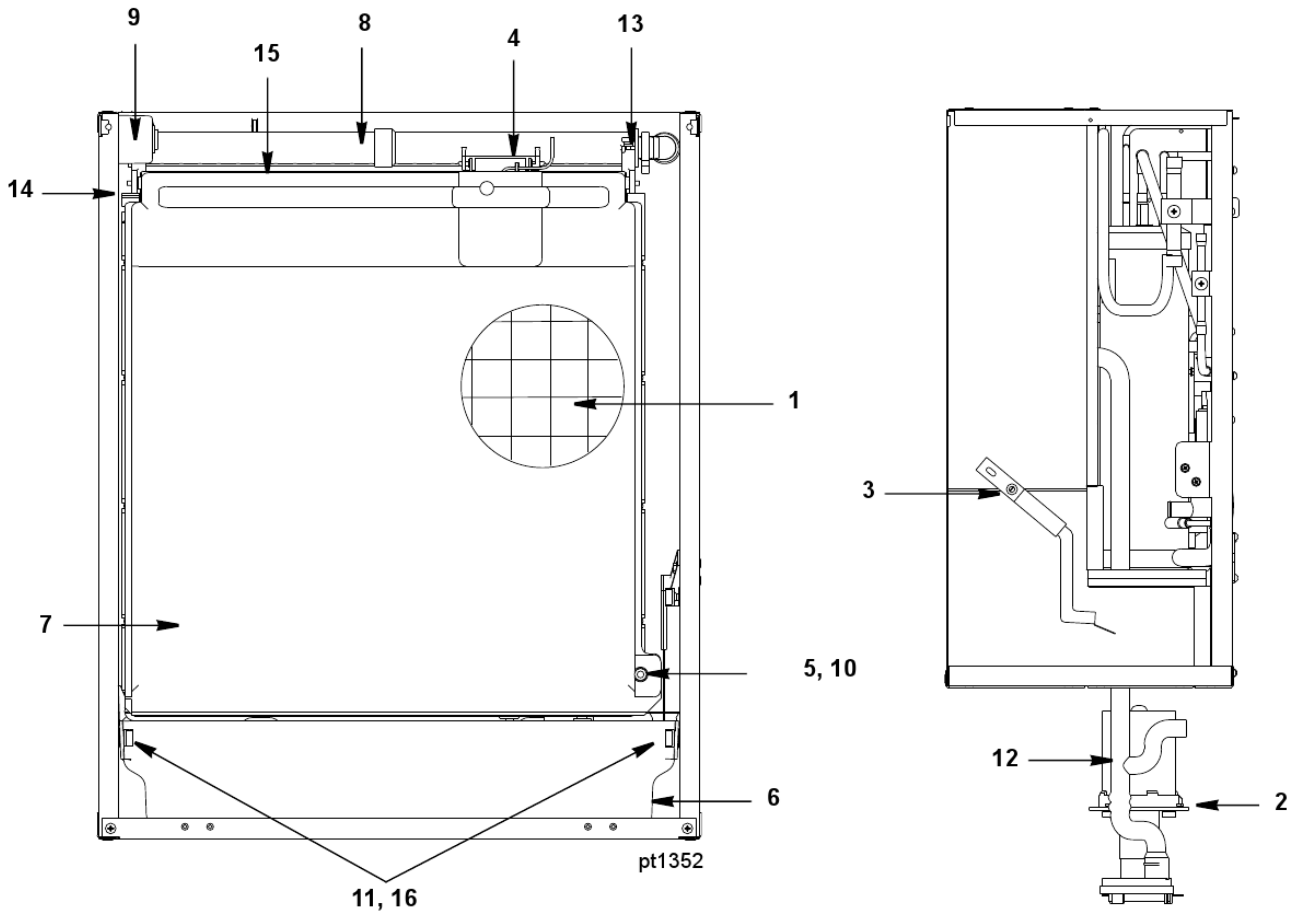
## IB1000C CONTROL BOX

#	PART #	DESCRIPTION	QTY	Note
1		Control Board - See Note for Serial Break		
1a	2006199	Control Board		[1]
1b	7603513	Control Board		[2]
2	000008240	7 Amp Fuse - Mounted on Control Board		
3	2000773	Wiring Harness - Control Box		
4		Wiring Harness Compressor Compartment - See Note for Serial Break		
4a	2001833	Wiring Harness - Compressor Compartment		[3]
4b	000002532	Wiring Harness - Compressor Compartment		[4]
5	6042391	Control Box		
6	7600633	Control Box Cover		
7	4302253	Control Board Mounting Supports		
8	5202169	Screw - #10-24 x 0.50" Ground		

### PART NOTES:

- [1] - After Serial Number 050400000
- [2] - Before Serial Number 050400000 includes wiring harness
- [3] - Before Serial Number 110697294
- [4] - After Serial Number 110697294

IB1000C EVAPORATOR COMPARTMENT



# IB1000C, CVD1075, CVD1085, CVD1285, CVD1185

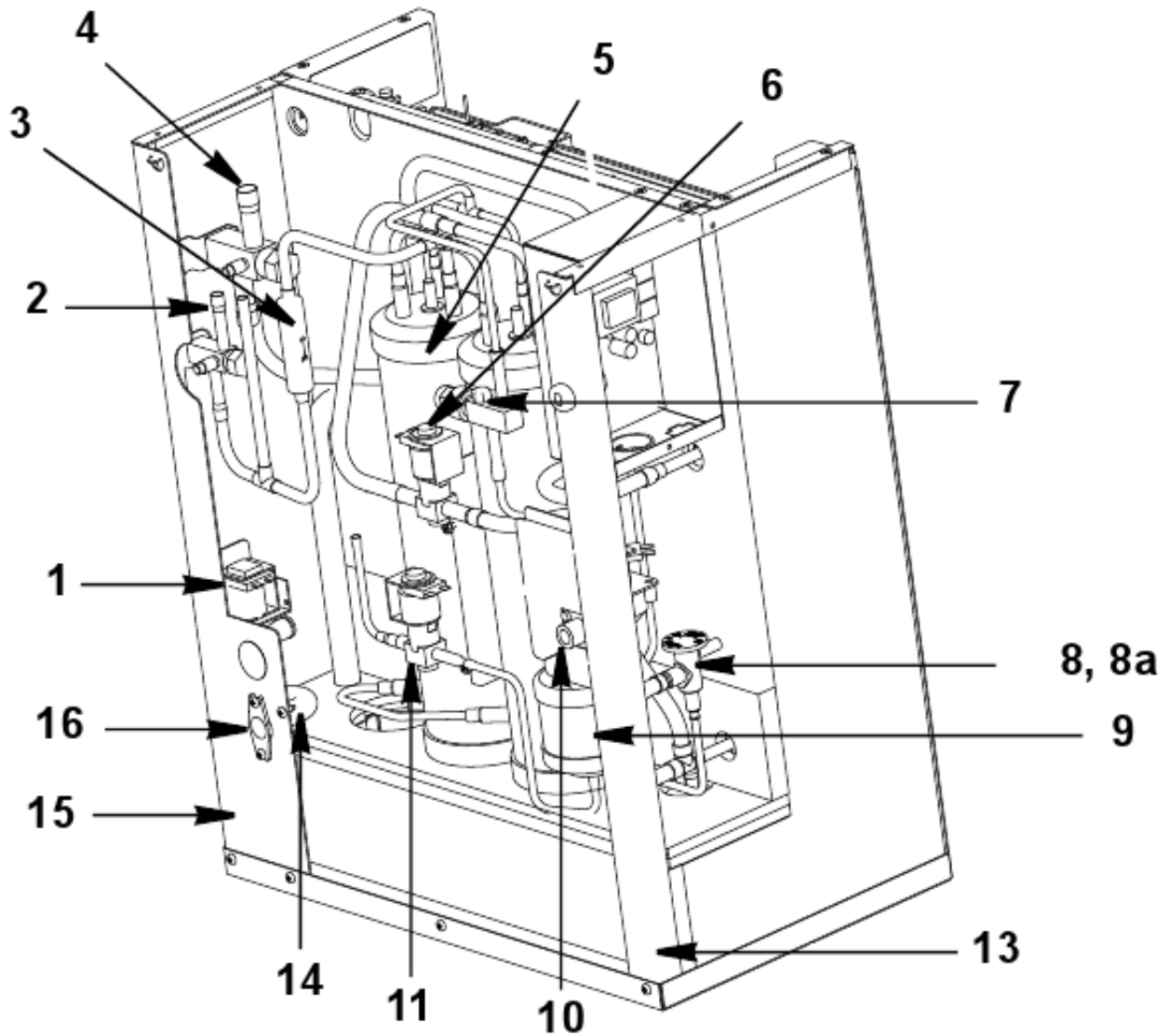
## IB1000C EVAPORATOR COMPARTMENT

#	PART #	DESCRIPTION	QTY	Note
1		Evaporator Assembly		
1a	7600999	Evaporator - Dice Cube		
1b	7601009	Evaporator - Half Dice Cube		
2		Water Pump		
2a	2005713	Water Pump - 115V/60 Hz		
2b	2005723	Water Pump - 208-230V/50-60 Hz		
2c	2005723	Water Pump - 208-230V/50-60 Hz		
3	2000653	Water Level Probe		
4	7627813	Ice Thickness Control Probe		
5	2301483	Magnetic Bin Switch		
6	4000523	Water Trough		
7	4005233	Water Curtain		
8	7624983	Water Distribution Tube - B/J/Q		
8a	5004649	O-Rings		
9	2301343	Toggle Switch Only		
9a	4000563	Toggle Switch Box		
9b	2000633	Toggle Switch with Wiring Harness		
10	7628023	Water Curtain Magnet and Cap		
11	5000453	Wing-head Mounting Stud		[1]
12	4002983	Water Pump Out Tubing		
13	5000013	Thumbscrew - #8-32 x 0.375"		
14	7627763	Water Curtain Pin Assembly		
15	7626213	Evaporator Top Molding and Gasket Assembly		
16	5650853	Wing-head Receptacle		[1]
17	00006488	Thermostat Probe with Bracket		
18	2009053	Temperature Control		
18a	6058701	Bracket - Temperature Control		

**PART NOTES:**

[1] - Water Trough and Water Pump Mounting

IB1000C REFRIGERATION COMPARTMENT



# IB1000C, CVD1075, CVD1085, CVD1285, CVD1185

## IB1000C REFRIGERATION COMPARTMENT

#	PART #	DESCRIPTION	QTY	Note
1		Water Dump Valve		
1a	000001767	Water Dump Valve - 115V/60 Hz		
1b	000001768	Water Dump Valve - 208-230V/50-60 Hz		
2	8373273	Manual Shut-off Valve Liquid Line		
3	8373159	Magni-Check Valve - 0.5"		
4	8373283	Manual Shut-off Valve Suction Line		
5	8250583	Receiver		
6		Cool Vapor Valve - Before Serial Number 110697294		
6a	7630051	Danfoss Solenoid Valve with Coil - 115V/60 Hz		[1]
6b	000005156	Danfoss Solenoid Valve Coil Only - 115V/60 Hz		[2]
6c	2404363	Alco Solenoid Valve Coil Only - 115V/60 Hz		[1]
6d	7630111	Danfoss Solenoid Valve with Coil - 230V/50-60 Hz		[1]
6e	000005157	Danfoss Solenoid Valve Coil Only - 230V/50-60 Hz		[3]
6f	2404483	Alco Solenoid Valve Coil Only - 230V/50 Hz		[1]
6		Cool Vapor Valve - After Serial Number 110697294		
6a	000002788	Danfoss Solenoid Valve with Coil - 115V/60 Hz		[4]
6b	2404363	Alco Solenoid Valve Coil Only - 115V/60 Hz		[4]
6c	7630121	Danfoss Solenoid Valve with Coil - 208-230V		[4]
6d	000005157	Danfoss Solenoid Valve Coil Only - 230V/50-60 Hz		[5]
7	8373169	Receiver Service Valve		
7a	5650753	Caps for Refrigeration Service Valve		
8	7600223	Expansion Valve		
8a	7600803	Expansion Valve Body Insulation Boot		
8b	4000923	Valve Insulation Boot - Bulb		
9	8930249	Drier		
10		Water Inlet Valve		
10a	000007965	Water Inlet Valve - 115V/60 Hz/1 Ph		
10b	000007966	Water Inlet Valve - 208-230V/50-60 Hz		
11		Liquid Line Solenoid Valve		
11a	7630011	Danfoss Solenoid Valve With Coil - 115V/60 Hz		
11b	000005156	Danfoss Solenoid Valve Coil Only - 115V/60 Hz		[6]
11c	2404363	Alco Solenoid Valve Coil Only - 115V/60 Hz		
11d	7630071	Danfoss Solenoid Valve With Coil - 208-230V/50-60 Hz		[7]
11e	000005157	Danfoss Solenoid Valve Coil Only - 230V/50-60 Hz		[8]
11f	2404483	Alco Solenoid Valve Coil Only - 230V/50 Hz		
12		Air Assist Pump		
12a	2009343	Air Assist Pump - 115V		
12b	2009353	Air Assist Pump - 230V		
12c	000002730	Air Assist - Mounting Bracket		
12d	4011739	Air Manifold		
12e	000002532	Air Assist - Wiring Harness - Compressor Compartment		
13	6054991	Left Corner Post		

# IB1000C, CVD1075, CVD1085, CVD1285, CVD1185

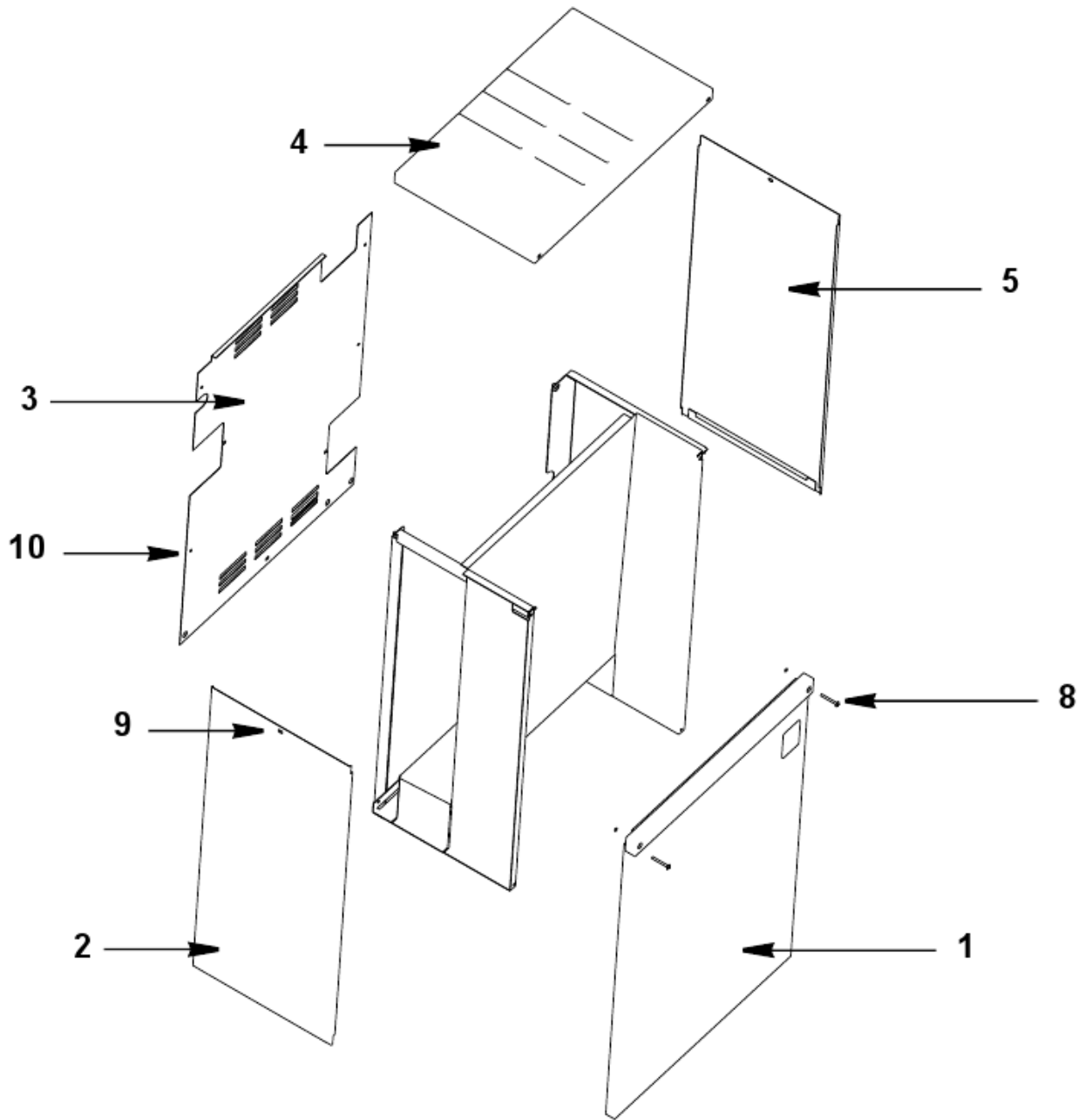
## IB1000C REFRIGERATION COMPARTMENT

#	PART #	DESCRIPTION	QTY	Note
14	4000863	Dump Valve Outlet Vinyl Tubing - 0.625" ID		
14a	4000913	Dump Valve Tubing Insulation		
15	6055001	Right Corner Post		
16	8706083	Female Wing Adapter - 0.50"		
17	5650709	Snap Clamp - 0.799"/0.899" ID		
18	5650529	Clamp - Expansion Valve Bulb		
18a	3000503	Strap - Expansion Valve Bulb - 0.5"		
19	6043151	Receiver Bracket		[9]
20	6043141	Receiver Mounting Bracket		[10]
21	4000873	Water Inlet Fitting		
21a	5000383	Water Inlet Fitting Nut		

### PART NOTES:

- [1] - Before Serial Number 110697294
- [2] - Before Serial Number 110697294  
\pages from 000005156\_02.jpg" width=280 height=256>
- [3] - Before Serial Number 110697294  
\pages from 000005156\_02.jpg" width=266 height=183>
- [4] - After Serial Number 110697294
- [5] - After Serial Number 110697294  
\pages from 000005156\_02.jpg" width=266 height=183>
- [6] - \pages from 000005156\_02.jpg" width=280 height=256>
- [7] - (Danfoss)
- [8] - \pages from 000005156\_02.jpg" width=266 height=183>
- [9] - (Mounts to Receiver Bracket)
- [10] - (Mounts to Bulkhead)

IB1000C HEAD SECTION PANELS



# IB1000C, CVD1075, CVD1085, CVD1285, CVD1185

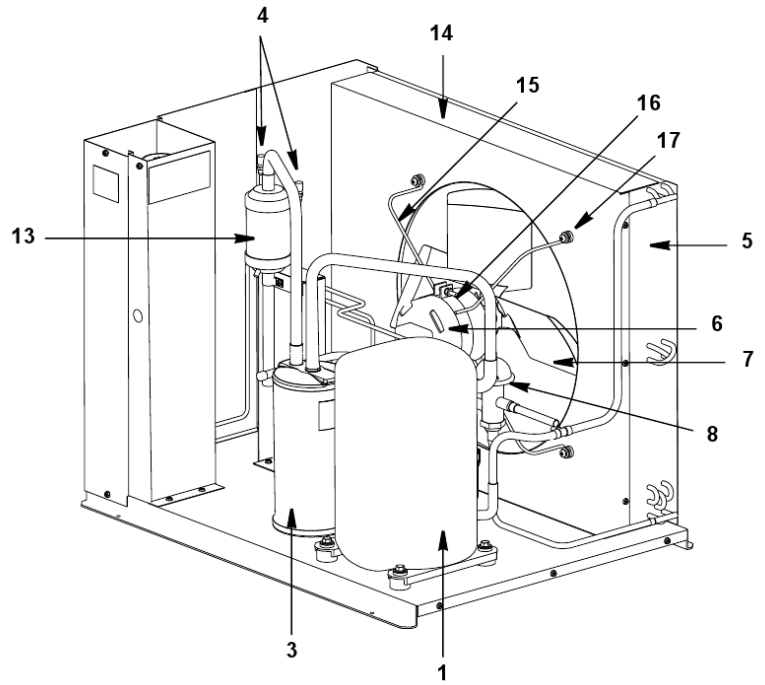
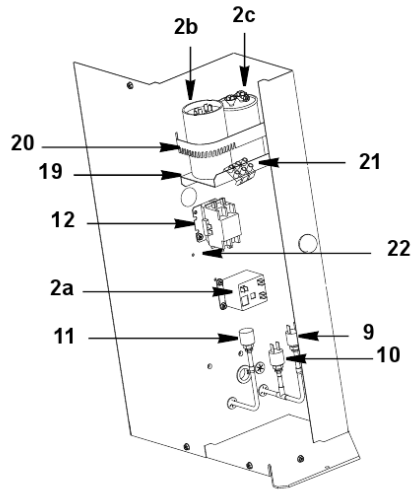
## IB1000C HEAD SECTION PANELS

#	PART #	DESCRIPTION	QTY	Note
1	7601051	Front Panel		
1a	000007657	Top Endcap		
1b	000007658	Bottom Endcap		
2	6044171	Right Side Panel		
3		Back Panel		
3a	000002768	Back Panel Upper		
3b	000002767	Back Panel Lower		
4	000007938	Cover Top		
5	6044171	Right Side Panel		
6	000000138	Front Angles		
7	4000603	Bottom Splash Shield		
7a	5000453	Wing-head Mounting Stud		
7b	5650853	Receptacle		
8	5000399	Front Panel Screw		
8a	3718199	O-ring		
8b	5474919	Speed Nut Assembly to Mount Front Cover		[1]
8c	5429109	Cage Nut to Mount Front Panel		[2]
9	5202099	Screw - #10-24 x 0.50" PHIL		[3]
10	5000373	Screw - #10-24 x 0.50" PHIL		[4]
11		Refrigeration Line Service Loop		[5]
11a	000001929	Liquid Line		
11b	000001928	Suction Line		
12	000000550	Cartoning		

### PART NOTES:

- [1] - Round Hole
- [2] - Square Hole
- [3] - Mounts Side Panels
- [4] - Mounts Rear Panels
- [5] - Brazed to Shut-off Valves

CVD1075 CONDENSING UNIT



# IB1000C, CVD1075, CVD1085, CVD1285, CVD1185

## CVD1075 CONDENSING UNIT

#	PART #	DESCRIPTION	QTY	Note
		NOTE: There are multiple condensing units available for the IB1000C, please verify your condensing unit.		
1		Compressor		
1a	7600023	Compressor 208-230V/60 Hz/1 Ph		
1b	7600033	Compressor 208-230V/60 Hz/3 Ph		
1c	7600043	Compressor 208-230V/50 Hz/1 Ph		
2		Start Components		
2a	2007559	Start Potential Relay - 50-60 Hz/1 Ph		
2b		Start Capacitor		
	000006454	Start Capacitor - 50-60 Hz/1 Ph		
	8505823	Start Capacitor 50 Hz/1 Ph		
2c		Run Capacitor		
	2010133	Run Capacitor - 115-230V/50-60 Hz/1 Ph		
	000001395	Run Capacitor - 208-230V/50-60 Hz/1 Ph		
3	000007280	Suction Accumulator		
4	8373253	Access Valve		
5	8851393	Air-cooled Condenser		
6		Fan Motor		
6a	2000189	Fan Motor - 208-230V/60 Hz/1-3 Ph		
6b	2000589	Fan Motor - 230-415V/50 Hz/1-3 Ph		
7	2416113	Fan Blade		
8	000000973	Head Pressure Control Valve		
9	2001263	Fan Cycling Control - 200-250 psig		[1]
10	2001243	High Pressure Cut-out Control		
11	2002229	Low Pressure Cut-out Control		
12	2410353	Contactator 50-60 Hz/1 Ph		
12a	2006619	Contactator - 230V/60 Hz/3 Ph		
13	8250549	Suction Line Filter		
14	6034491	Fan Shroud		
15	3006823	Fan Motor Mounting Bracket		
16	5033589	Mounting - Screw		
16a	5545119	Mounting - Lockwasher		
16b	5429529	Mounting - Hexnut		
17	5033589	Mounting - Screw		
17a	5545119	Mounting - Lockwasher		
17b	5573059	Mounting - Flatwasher		
17c	5429559	Mounting - Rubber Wellnut		
18	5202069	Screw - #10-24 x 0.50" HEX		[2]
19	6034981	Capacitor Mounting Bracket		
20	6021601	Capacitor Mounting Strap		
21	2006143	Terminal Block - 50 Hz - 3 Pole		
22	5202169	Screw - #10-24 x 0.50" Ground		

# IB1000C, CVD1075, CVD1085, CVD1285, CVD1185

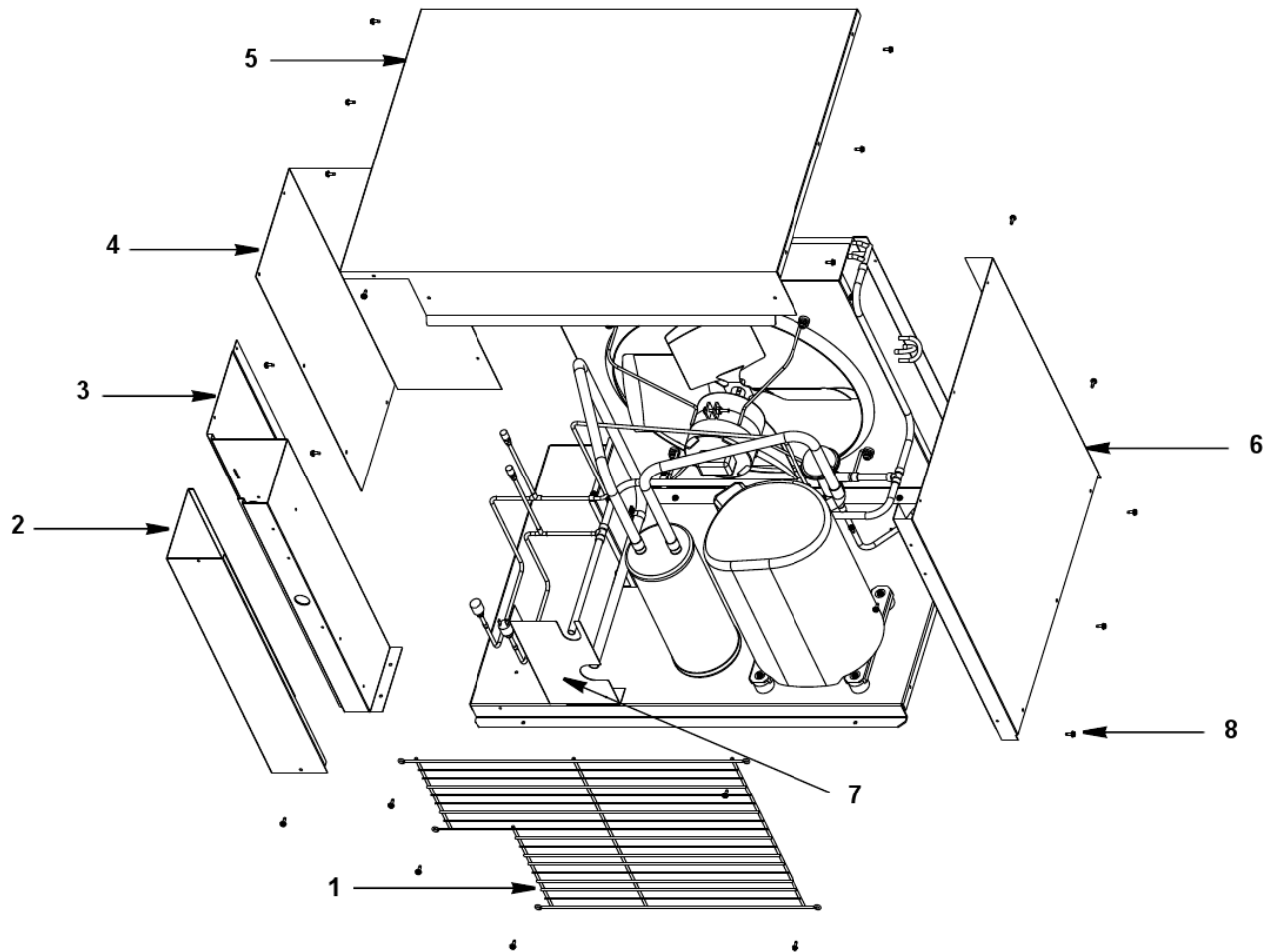
## CVD1075 CONDENSING UNIT

#	PART #	DESCRIPTION	QTY	Note
---	--------	-------------	-----	------

**PART NOTES:**

- [1] - \pages from 200126\_09.jpg" width=150 height=306>
- [2] - Used for Panel Attachment

CVD1075 CONDENSING UNIT PANELS

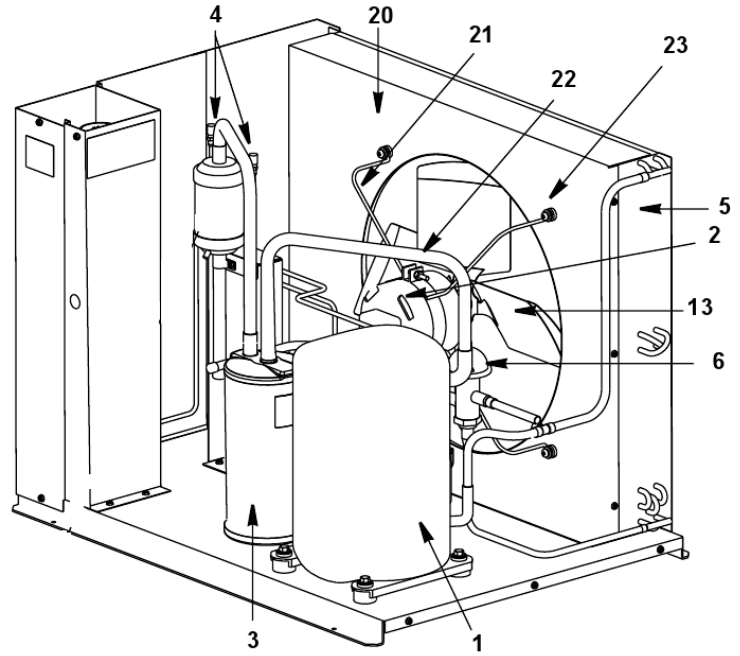
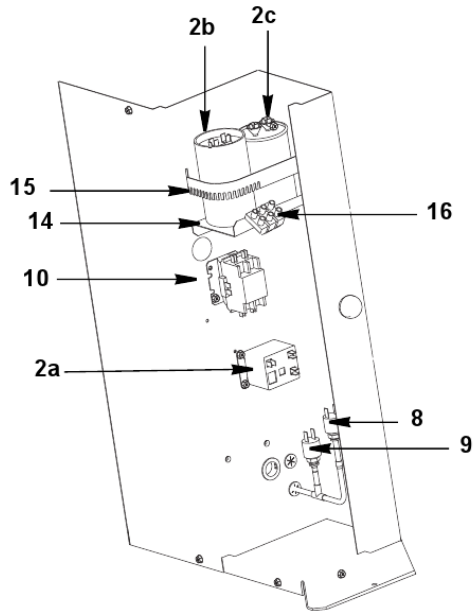


# IB1000C, CVD1075, CVD1085, CVD1285, CVD1185

## CVD1075 CONDENSING UNIT PANELS

#	PART #	DESCRIPTION	QTY	Note
		NOTE: There are multiple condensing units available for the IB1000C, please verify your condensing unit.		
1	3406893	Condenser Fan Guard		
2	6034771	Control Box Cover		
3	6037071	Control Box Panel		
4	6037291	Left Side Panel		
5	6034751	Cover Top		
6	6034701	Right Side Panel		
7	6042261	Condensing Unit Tube Shield		
8	5202069	Screw - #10-24 x 0.50" HEX		
9	000000768	Cartoning		

CVD1085 CONDENSING UNIT



# IB1000C, CVD1075, CVD1085, CVD1285, CVD1185

## CVD1085 CONDENSING UNIT

#	PART #	DESCRIPTION	QTY	Note
1		Compressor		[1]
1a	7602293	Compressor - Copeland - 208-230V/60 Hz/1 Ph		
1b	7602303	Compressor - Copeland - 208-230V/60 Hz/3 Ph		
1c	7602313	Compressor - Copeland - 230V/50 Hz/1 Ph		
1		Compressor		[2]
1d	7602223	Compressor - Copeland - 208-230V/60 Hz/1 Ph		
1e	7602233	Compressor - Copeland - 208-230V/60 Hz/3 Ph		
1f	7602243	Compressor - Copeland - 220-240V/50 Hz/ 1 Ph		
2		Start Components		[1]
2a	2007559	Start Potential Relay - 50-60 Hz/1 Ph		
2b	8503853	Start Capacitor - 50-60 Hz/1 Ph		
2c	2010133	Run Capacitor - 115-230V/50-60 Hz/1 Ph		
2		Start Components		[2]
2a	2007559	Start Potential Relay - 50-60 Hz/1 Ph		
2b		Start Capacitor - See Note for Usage		
	000006454	Start Capacitor - 50-60 Hz/1 Ph		[3]
	8505513	Start Capacitor - 50-60 Hz/1 Ph		[4]
2c		Run Capacitor - See Note for Usage		
	8503933	Run Capacitor - 115-230V/50-60 Hz/1 Ph		[3]
	2010133	Run Capacitor - 115-230V/50-60 Hz/1 Ph		[4]
3	000007281	Suction Accumulator		
4	8373253	Access Valve		
5	8851453	Air-cooled Condenser		
6	000001982	Head Pressure Control Valve		
7	000001289	Check Valve		
8	2001263	Fan Cycling Control - 200-250 psig		[5]
9	2001243	High Pressure Cut-out Control		
10		Contactactor		
10a	2006609	Contactactor - 208-230V/50-60 Hz/1 Ph		
10b	2006619	Contactactor - 230V/60 Hz/3 Ph		
11	2002229	Low Pressure Cut-out Control		
12		Fan Motor		
12a	2000189	Fan Motor - 208-230V/60 Hz/1-3 Ph		
12b	2000589	Fan Motor - 230-415V/50 Hz/1-3 Ph		
13	2416303	Fan Blade		
14	6034981	Capacitor Mounting Bracket		
15	6021601	Capacitor Mounting Strap		
16	2006143	Terminal Block - 50 Hz - 3 Pole		[6]
17	5202169	Screw - #10-24 x 0.50" Ground		
18	8250539	Suction Line Filter		
19		Wiring Harness		
19a	000006532	Wiring Harness - 230V/60 Hz/1 Ph		

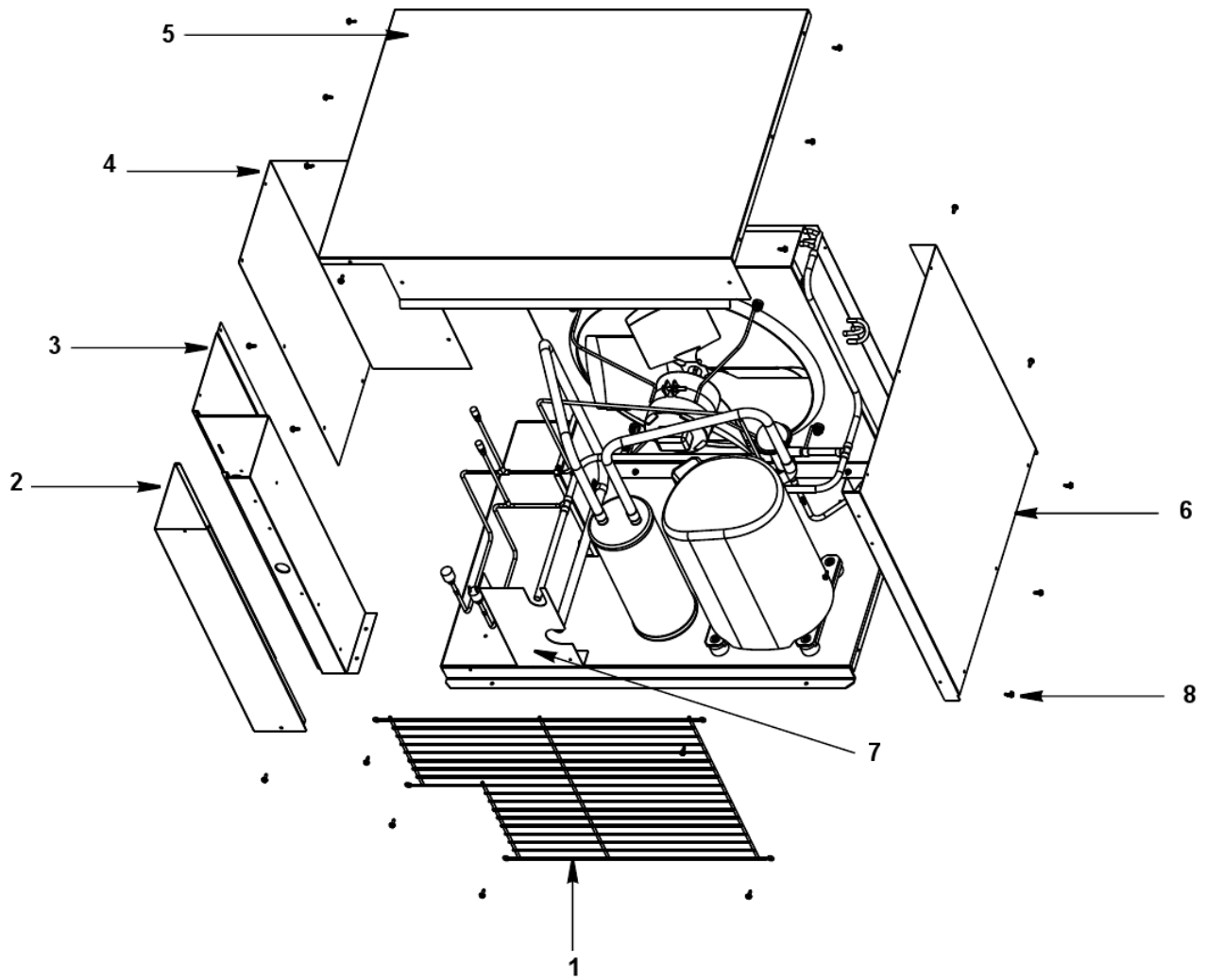
CVD1085 CONDENSING UNIT

#	PART #	DESCRIPTION	QTY	Note
19b	000006531	Wiring Harness - 230V/50 Hz/1 Ph		
19c	2033089	Wiring Harness - 230V/60 Hz/3 Ph		
20	6037041	Fan Shroud		
21	3006823	Fan Motor Mounting Bracket		
22	5033589	Mounting - Screw		
22a	5545119	Mounting - Lockwasher		
22b	5429529	Mounting - Hexnut		
23	5033589	Mounting - Screw		
23a	5545119	Mounting - Lockwasher		
23b	5573059	Mounting - Flatwasher		
23c	5429559	Mounting - Rubber Wellnut		

**PART NOTES:**

- [1] - Before Serial Number 110697654
- [2] - After Serial Number 110697654
- [3] - 60 Hz
- [4] - 50 Hz
- [5] - \pages from 200126\_09.jpg" width=150 height=306>
- [6] - 50 Hz Only

CVD1085 CONDENSING UNIT PANELS



# IB1000C, CVD1075, CVD1085, CVD1285, CVD1185

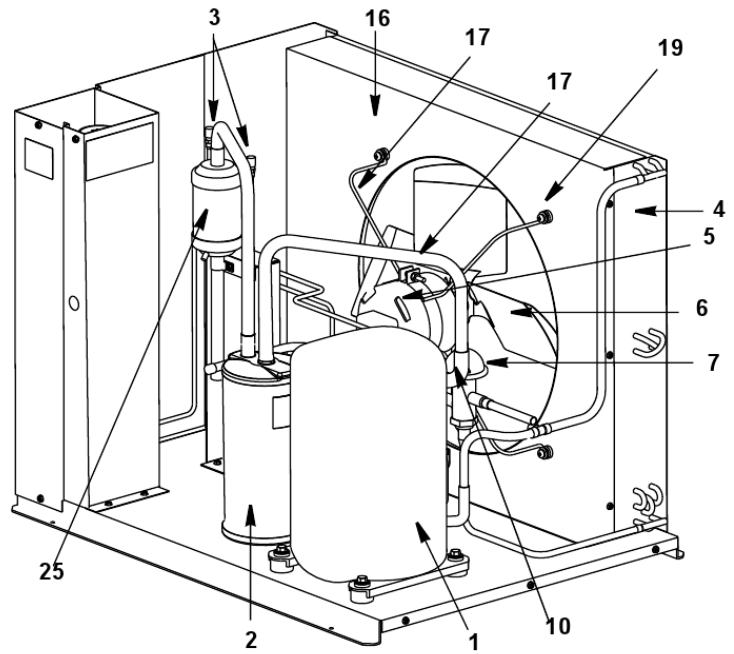
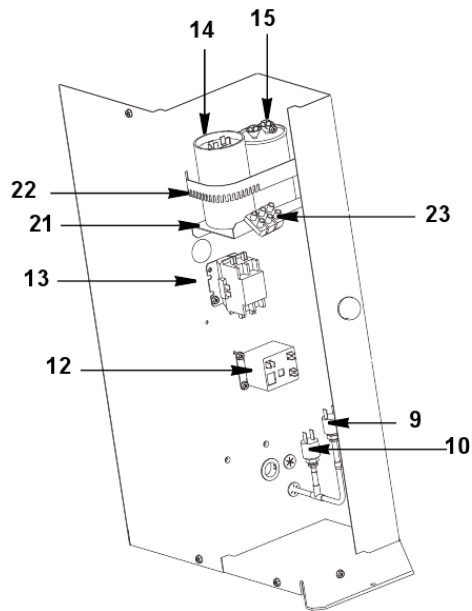
## CVD1085 CONDENSING UNIT PANELS

#	PART #	DESCRIPTION	QTY	Note
1	3406893	Condenser Fan Guard		
2	6040171	Control Box Cover		
3	6037071	Control Box Panel		
4	6037291	Left Side Panel		
5	6034751	Cover Top		
6	6034701	Right Side Panel		
7	6042261	Condensing Unit Tube Shield		
8	5202069	Screw - #10-24 x 0.50" HEX		
9	5202069	Screw - #10-24 x 0.50" HEX		[1]
10	000000768	Cartoning		

### PART NOTES:

[1] - Used for Panel Attachment

CVD1285 CONDENSING UNIT



# IB1000C, CVD1075, CVD1085, CVD1285, CVD1185

## CVD1285 CONDENSING UNIT

#	PART #	DESCRIPTION	QTY	Note
		NOTE: There are multiple condensing units available for the IB1000C, please verify your condensing unit.		
1		Compressor		
1a	7603213	Compressor - Copeland - 208-230V/60 Hz/1 Ph		
1b	7603223	Compressor - Copeland - 208-230V/60 Hz/3 Ph		
1c	7603233	Compressor - Copeland - 230V/50 Hz/1 Ph		
2	000007281	Suction Accumulator		
3	8373253	Access Valve		
4	8851393	Air-cooled Condenser		
5		Fan Motor		
5a	2000189	Fan Motor - 208-230V/60 Hz/1-3 Ph		
5b	2000589	Fan Motor - 230-415V/50 Hz/1-3 Ph		
6	2416113	Fan Blade		
7	000001982	Head Pressure Control Valve		
8	000001289	Check Valve		
9	2001263	Fan Cycling Control - 200-250 psig		[1]
10	2001243	High Pressure Cut-out Control		
11	2002229	Low Pressure Cut-out Control		
12	2007559	Start Potential Relay - 50-60 Hz/1 Ph		
13	2006609	Contactactor - 208-230V/50-60 Hz/1 Ph		
13a	2006619	Contactactor - 230V/60 Hz/3 Ph		
14	000006454	Start Capacitor - 50-60 Hz/1 Ph		
15	2010133	Run Capacitor - 115-230V/50-60 Hz/1 Ph		
16	6034491	Fan Shroud		
17	3006823	Fan Motor Mounting Bracket		
18	5033589	Mounting - Screw		
18a	5545119	Mounting - Lockwasher		
18b	5429529	Mounting - Hexnut		
19	5032389	Fan Bracket Mounting Screw		
19a	5545119	Mounting - Lockwasher		
19b	5573059	Mounting - Flatwasher		
19c	5429559	Mounting - Rubber Wellnut		
20	5202069	Screw - #10-24 x 0.50" HEX		[2]
21	6034981	Capacitor Mounting Bracket		
22	6021601	Capacitor Mounting Strap		
23	2006143	Terminal Block - 50 Hz - 3 Pole		[3]
24	5202169	Screw - #10-24 x 0.50" Ground		
25	8250549	Suction Line Filter		
26		Wiring Harness		
26a	000006532	Wiring Harness - 230V/60 Hz/1 Ph		
26b	000006531	Wiring Harness - 230V/50 Hz/1 Ph		
26c	2033089	Wiring Harness - 230V/60 Hz/3 Ph		

# IB1000C, CVD1075, CVD1085, CVD1285, CVD1185

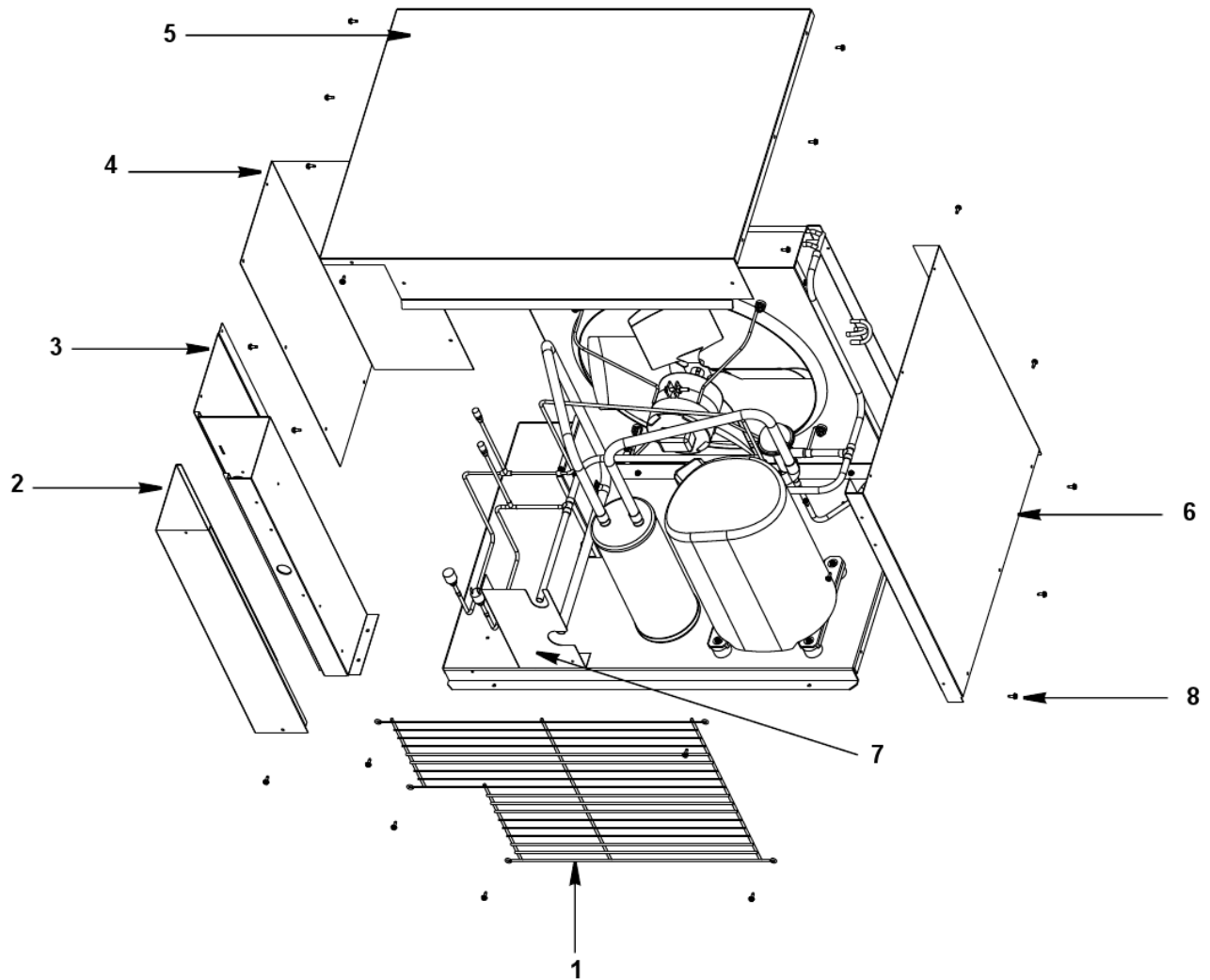
## CVD1285 CONDENSING UNIT

#	PART #	DESCRIPTION	QTY	Note
---	--------	-------------	-----	------

**PART NOTES:**

- [1] - \pages from 200126\_09.jpg" width=150 height=306>
- [2] - Used for Panel Attachment
- [3] - 50 Hz Only

CVD1285 CONDENSING UNIT PANELS

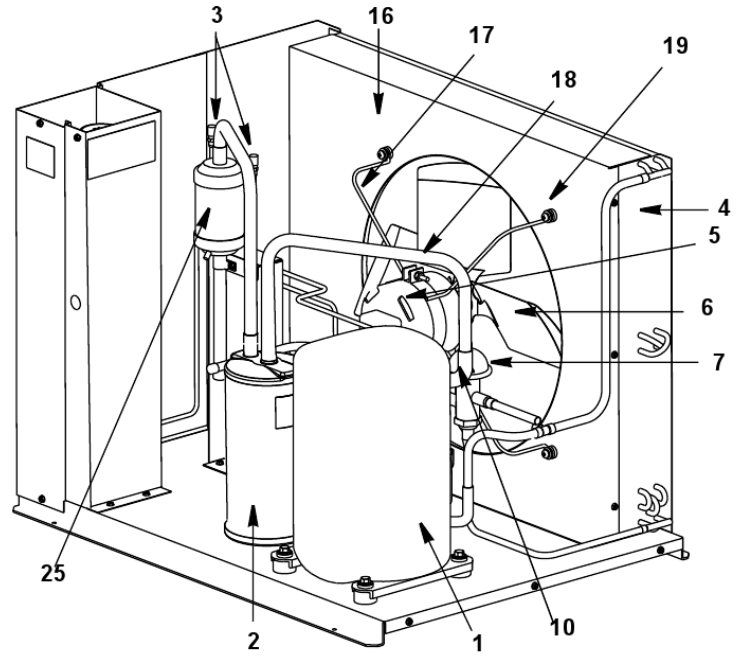
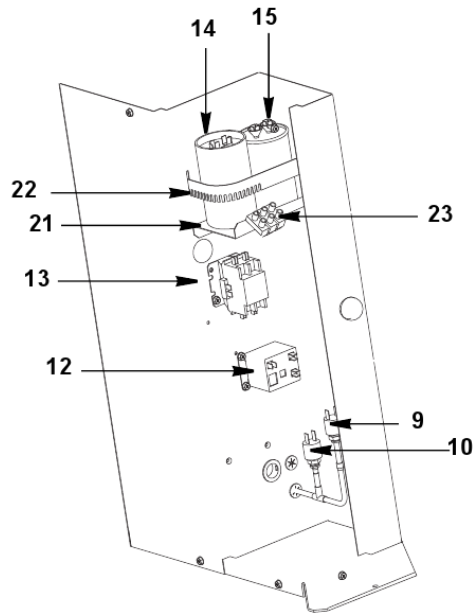


# IB1000C, CVD1075, CVD1085, CVD1285, CVD1185

## CVD1285 CONDENSING UNIT PANELS

#	PART #	DESCRIPTION	QTY	Note
		NOTE: There are multiple condensing units available for the IB1000C, please verify your condensing unit.		
1	3406893	Condenser Fan Guard		
2	6040171	Control Box Cover		
3	6037071	Control Box Panel		
4	6037291	Left Side Panel		
5	6034751	Cover Top		
6	6034701	Right Side Panel		
7	6042261	Condensing Unit Tube Shield		
8	5202069	Screw - #10-24 x 0.50" HEX		
9	000000768	Cartoning		

CVD1185 CONDENSING UNIT



# IB1000C, CVD1075, CVD1085, CVD1285, CVD1185

## CVD1185 CONDENSING UNIT

#	PART #	DESCRIPTION	QTY	Note
		NOTE: There are three condensing units available for the IB1000C, please verify your condensing unit.		
1		Compressor		
1a	000008726	Compressor - Copeland - 208-230V/60 Hz/1 Ph		
1b	000008727	Compressor - Copeland - 208-230V/60 Hz/3 Ph		
1c	000008728	Compressor - Copeland - 230V/50 Hz/1 Ph		
2	000007281	Suction Accumulator		
3	8373253	Access Valve		
4	8851393	Air-cooled Condenser		
5		Fan Motor		
5a	2000189	Fan Motor - 208-230V/60 Hz/1-3 Ph		
5b	2000589	Fan Motor - 230-415V/50 Hz/1-3 Ph		
6	2416113	Fan Blade		
7	000000973	Head Pressure Control Valve		
8	000001289	Check Valve		
9	2001263	Fan Cycling Control - 200-250 psig		[1]
10	2001243	High Pressure Cut-out Control		
11	2002229	Low Pressure Cut-out Control		
12	2007539	Start Potential Relay - 230V/50-60 Hz/1 Ph		
13	2006609	Contactactor - 208-230V/50-60 Hz/1 Ph		
13a	2006619	Contactactor - 230V/60 Hz/3 Ph		
14		Start Capacitor		
14a	000006455	Start Capacitor 60 Hz/1 Ph		
14b	8503843	Start Capacitor - 115-230V/50-60 Hz		[2]
15	2010133	Run Capacitor - 115-230V/50-60 Hz/1 Ph		
16	6034491	Fan Shroud		
17	3006823	Fan Motor Mounting Bracket		
18	5033589	Mounting - Screw		
18a	5545119	Mounting - Lockwasher		
18b	5429529	Mounting - Hexnut		
19	5032389	Fan Bracket Mounting Screw		
19a	5545119	Mounting - Lockwasher		
19b	5573059	Mounting - Flatwasher		
19c	5429559	Mounting - Rubber Wellnut		
20	5202069	Screw - #10-24 x 0.50" HEX		[3]
21	6034981	Capacitor Mounting Bracket		
22	6021601	Capacitor Mounting Strap		
23	2006143	Terminal Block - 50 Hz - 3 Pole		[4]
24	5202169	Screw - #10-24 x 0.50" Ground		
25	8250549	Suction Line Filter		
26		Wiring Harness		
26a	000006532	Wiring Harness - 230V/60 Hz/1 Ph		
26b	000006531	Wiring Harness - 230V/50 Hz/1 Ph		

# IB1000C, CVD1075, CVD1085, CVD1285, CVD1185

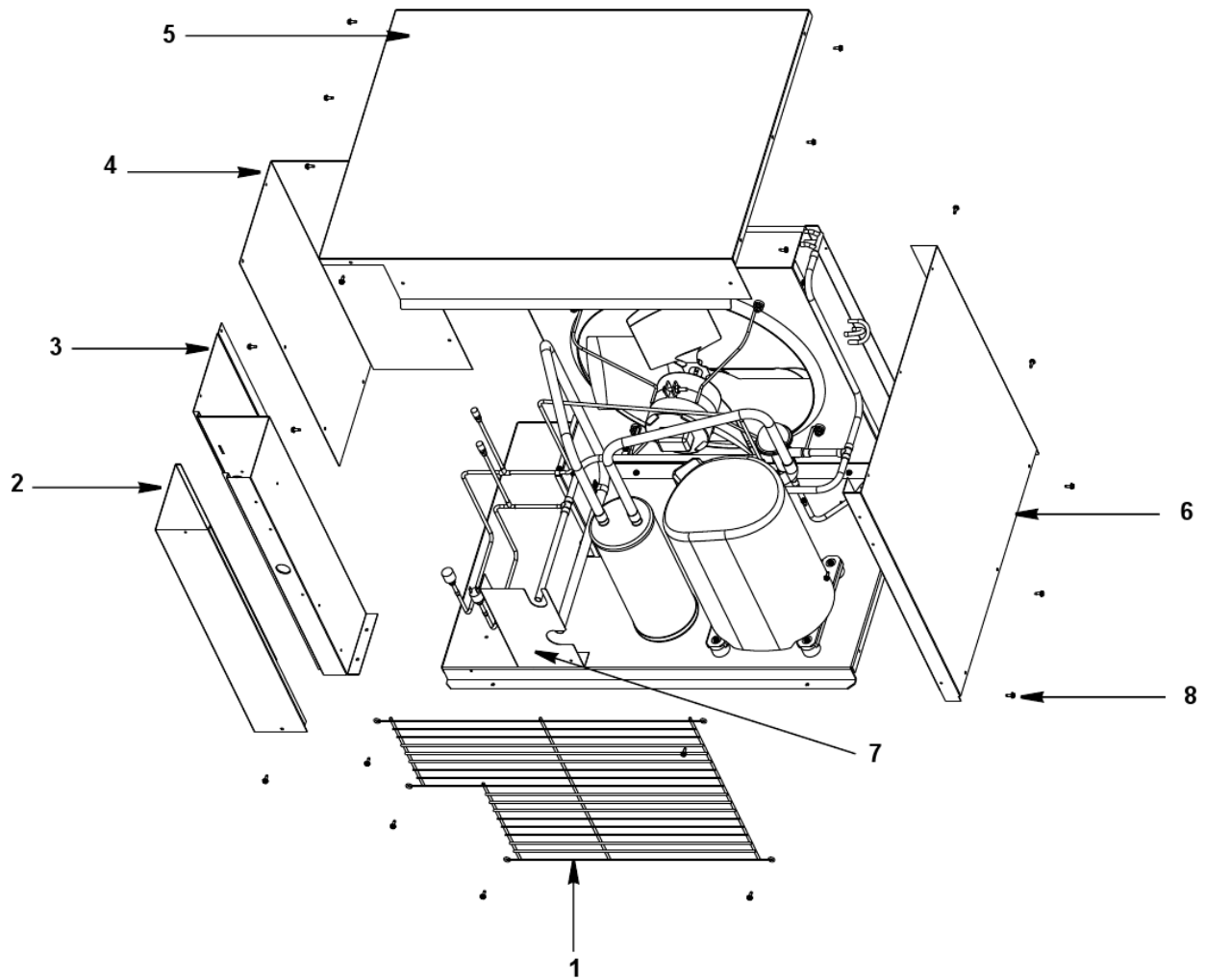
## CVD1185 CONDENSING UNIT

#	PART #	DESCRIPTION	QTY	Note
---	--------	-------------	-----	------

**PART NOTES:**

- [1] - \pages from 200126\_09.jpg" width=150 height=306>
- [2] - 50 Hz
- [3] - Used for Panel Attachment
- [4] - 50 Hz Only

CVD1185 CONDENSING UNIT PANELS



# IB1000C, CVD1075, CVD1085, CVD1285, CVD1185

## CVD1185 CONDENSING UNIT PANELS

#	PART #	DESCRIPTION	QTY	Note
		NOTE: There are multiple condensing units available for the IB1000C, please verify your condensing unit.		
1	3406893	Condenser Fan Guard		
2	6040171	Control Box Cover		
3	6037071	Control Box Panel		
4	6037291	Left Side Panel		
5	6034751	Cover Top		
6	6034701	Right Side Panel		
7	6042261	Condensing Unit Tube Shield		
8	5202069	Screw - #10-24 x 0.50" HEX		
9	000000768	Cartoning		