



Manitowoc

Foodservice

HOW TO READ A MODEL NUMBER

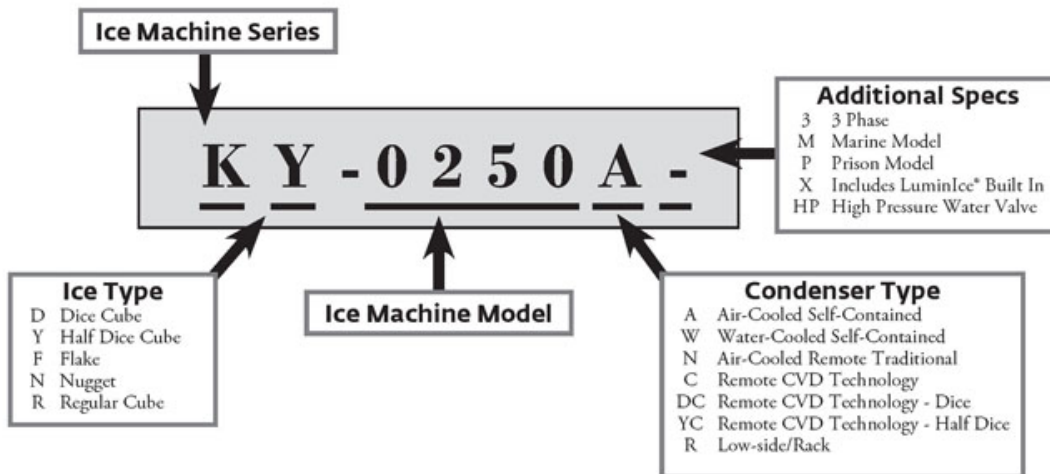
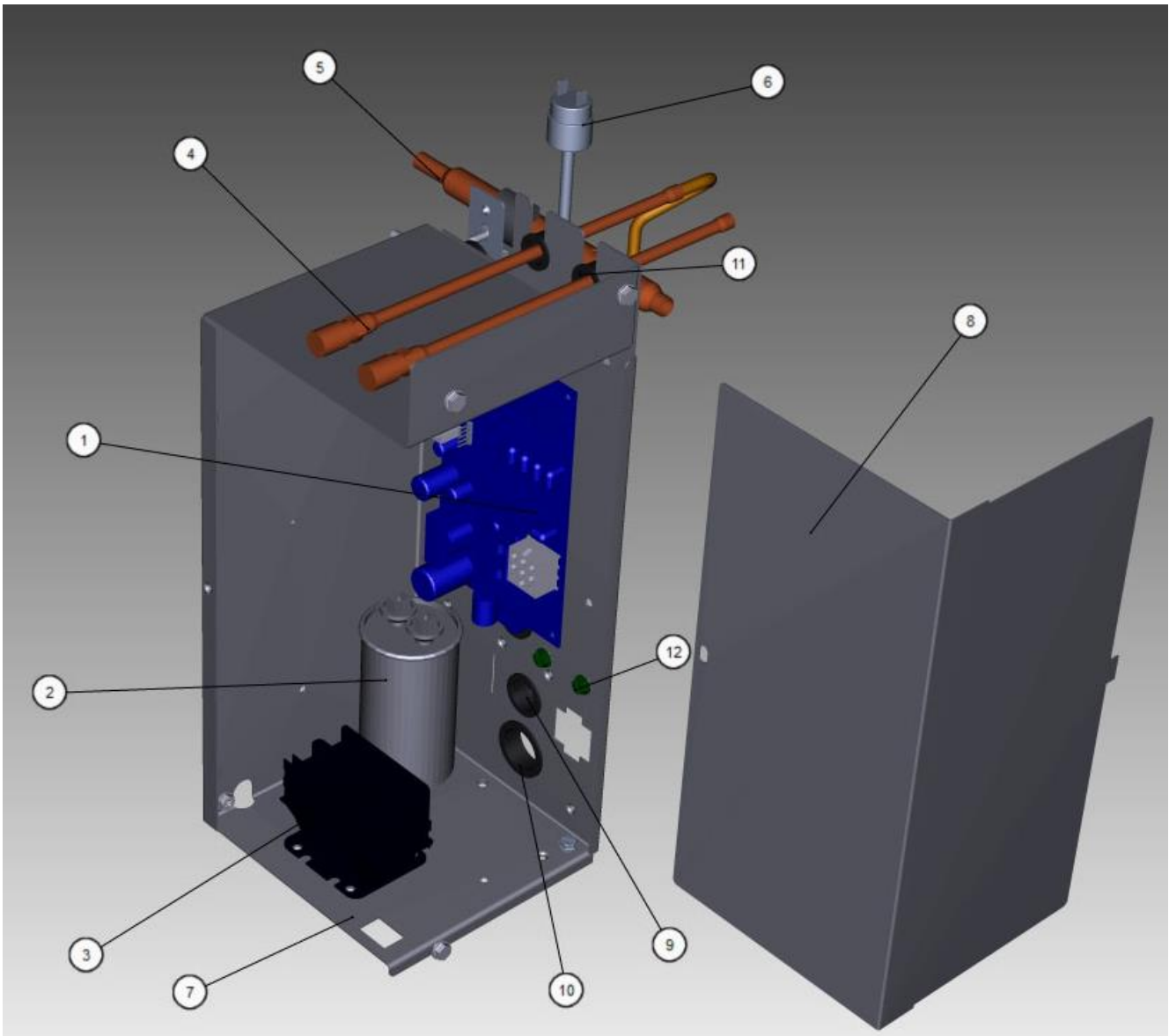


TABLE OF CONTENTS

K0250	
Parts	
K0250 Control Box.....	1
K0250 Evaporator Compartment.....	3
K0250 Refrigeration Compartment.....	5
K0250 Air-cooled Compartment.....	8
K0250 Panels.....	10

K0250

K0250 Control Box



Parts

K0250 Control Box

K0250

K0250 Control Box

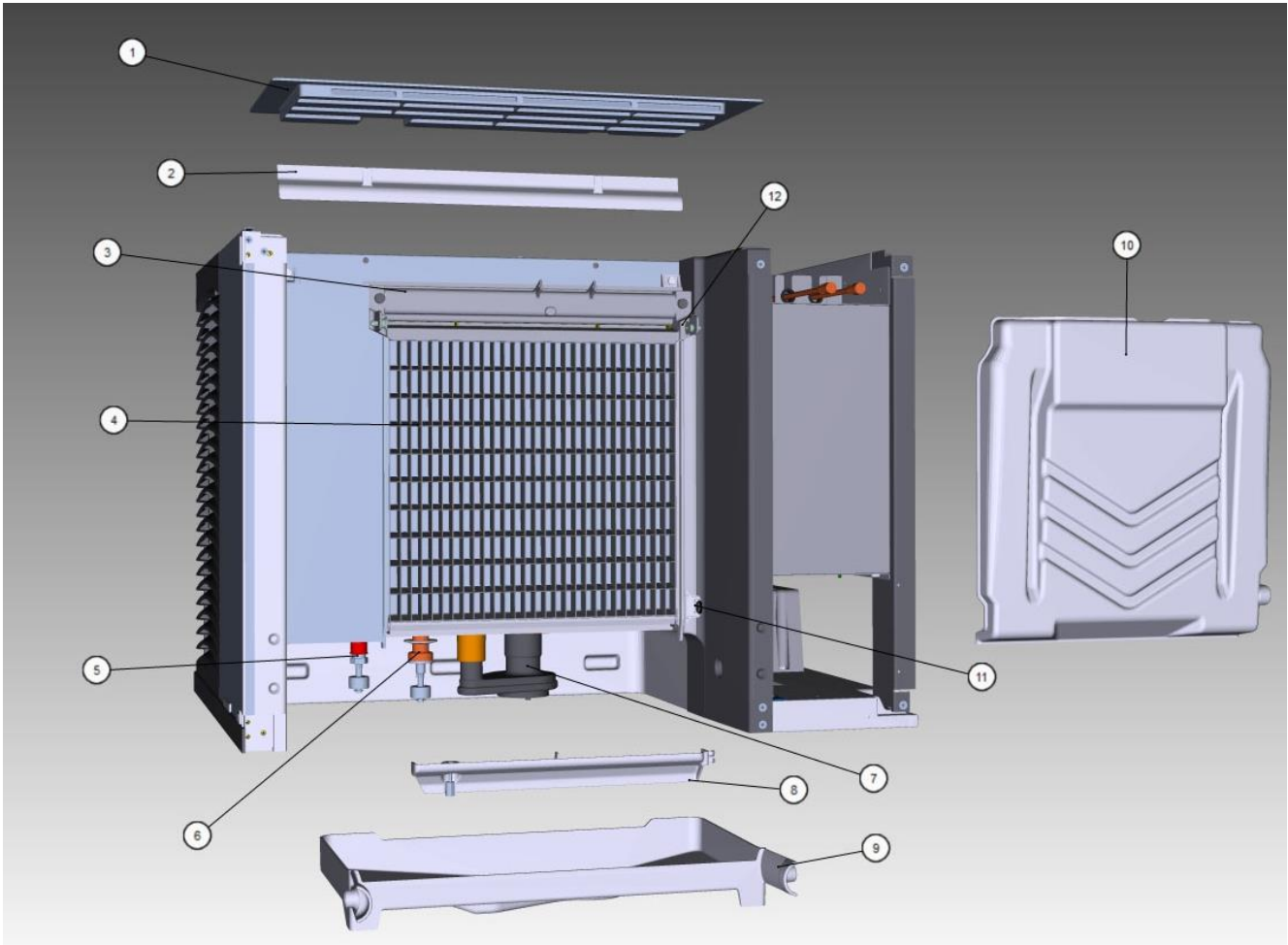
#	PART #	DESCRIPTION	QTY	Note
1	040002007	Control Board		
1a	000012211	3.5 amp Ceramic Fuse		
1b	4302253	Control Board Mounting Supports		
2		Run Capacitor - See Note for Usage		
2a	000000028	Run Capacitor - 208-230V/60 Hz/1 Ph		[1]
2b	000010714	Run Capacitor - 230V/60 Hz/1 Ph		
2c	000010715	Run Capacitor - 230V/50-60 Hz/1 Ph		
2d	000010711	Bracket - Run Capacitor		
3		Contactors		
3a	2006589	Contactors - 115V/60 Hz/1 Ph		
3b	2006599	Contactors - 230V/50-60 Hz/1 Ph		
4	8373263	Refrigeration Service Valve Assembly		
5	000011170	Manifold Strainer		
5a	000011055	Manifold Strainer - Bracket		
6	000008816	High Pressure Cut-out		
7	000010617	Control Box		
8	000012138	Control Box Cover		
9	2501409	Bushing - 0.875"		
10	2500019	Bushing - 1.187"		
11	2502189	Bushing - 0.625"		
12	5202169	Screw - #10-24 x 0.50" Ground		
13		Overload Protector		
13a	000011140	Overload Protector - 115V/60 Hz/1 Ph		
13b	000010852	Overload Protector - 230V/60 Hz/1 Ph		
13c	000010853	Overload Protector - Bracket		
14	2007939	Toggle Switch		
14a	000010724	Wiring Harness - Toggle Switch		
15	000008830	Fan Cycle Control		
16	5202069	Screw - #10-24 x 0.50" HEX		
17	5573209	Star Washer		
18		Wiring Harness - Control Box		
18a	000010264	Control Box Wiring Harness - 115V/60 Hz/1 Ph		
18b	000010265	Control Box Wiring Harness - 230V/60 Hz/1 Ph		
19	000007185	Wiring Harness - Compressor Compartment - Air-cooled		
20	000011182	Wiring Harness - Compressor		
21	000010511	Wiring Harness - Float Switch to Control Box		

PART NOTES:

[1] - 115V

K0250

K0250 Evaporator Compartment



Parts

K0250 Evap Comp

K0250

K0250 Evaporator Compartment

#	PART #	DESCRIPTION	QTY	Note
1	000000389	Foodzone Seal Panel		
2	4008469	Evaporator Top Filler Panel		
2a	6063339	Bracket - Top Filler Panel		
2b	5202099	Screw - #10-24 x 0.50" PHIL		
3	7602789	Water Distribution Tube - 22" L		
4		Evaporator		
4a	7602879	Evaporator - Dice Cube		
4b	7602889	Evaporator - Half Dice Cube		
5	000012651	Ice Thickness Float		
5a	000010630	Bracket - Ice Thickness Float		
6	000012649	Harvest Float		
6a	000010818	Bracket - Harvest Float		
7		Water Pump		
7a	2008929	Water Pump - 115V/60 Hz		
7b	2008939	Water Pump - 230V/60 Hz		
7c	2008949	Water Pump - 230V/50 Hz		
8	7602779	Water Diverter - 22" Models		
8a	5305123	Thumbscrew SS - #8-32 x 0.44"		
9	000010828	Water Trough		
10	4011189	Water Curtain		
11	000010510	Magnetic Bin Switch		
12	7602799	Evaporator Top Frame Assembly		
13	5004799	Thumbscrew SS - #8-32 x 0.375"		
14	5004629	O-Ring - 0.125" ID		
15	5004619	Screw - #12-16 x 0.687"		
16	5004659	Water Pump Base O-Ring - 4.00" ID		
17	5004679	Water Pump Outlet O-Ring - 0.875" ID		
18	000010244	Water Pump Mount		

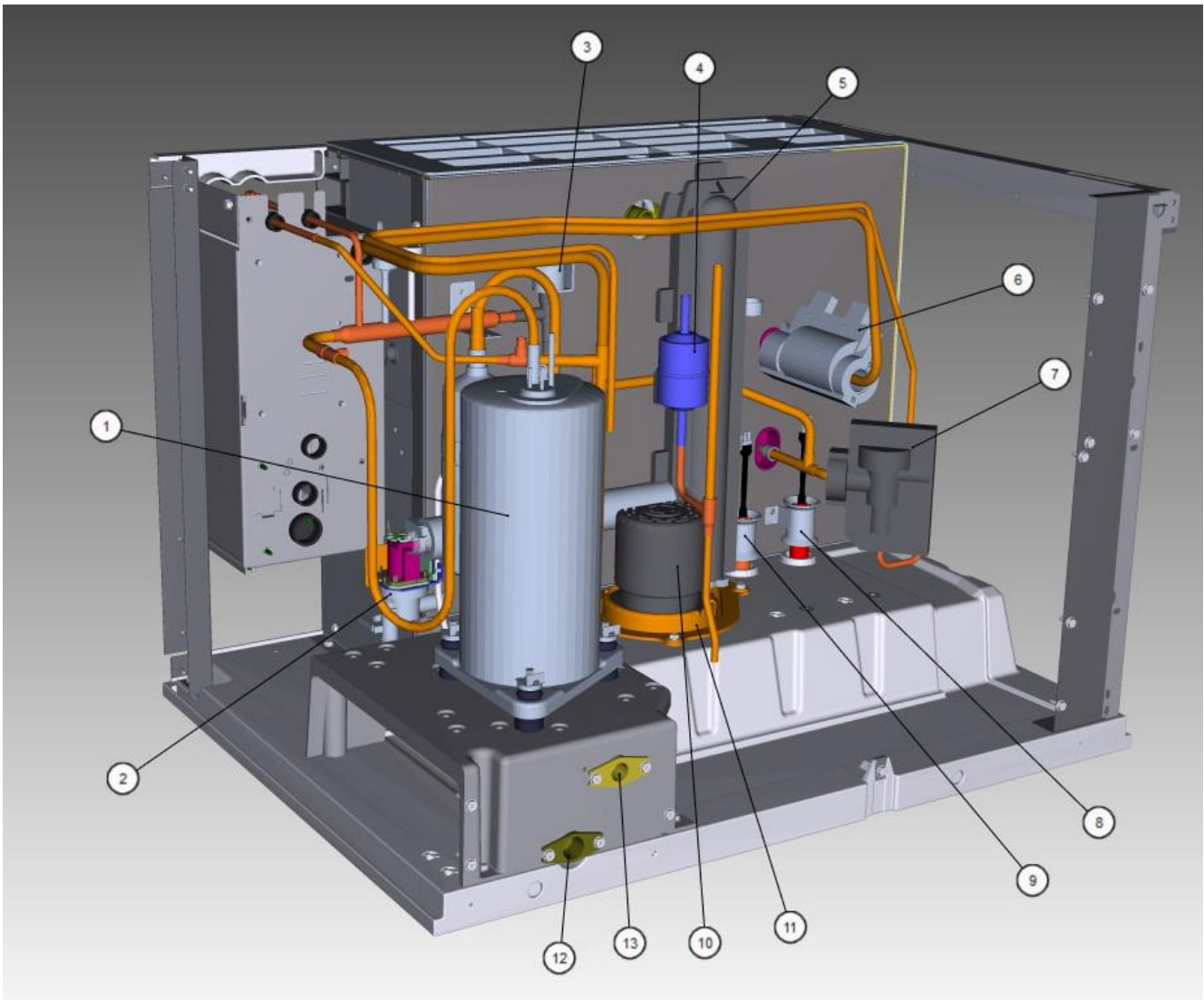
Parts

K0250 Evap Comp



K0250

K0250 Refrigeration Compartment



Parts

K0250 Ref Comp

K0250

K0250 Refrigeration Compartment

#	PART #	DESCRIPTION	QTY	Note
1		Compressor		
1a	000010460	Compressor - Samsung - 115V/60 Hz/1 Ph		
1b	000010459	Compressor - Samsung - 208-230V/60 Hz/1 Ph		
1c	000010461	Compressor - Samsung - 230V/50 Hz/1 Ph		
2		Water Dump Valve		
2a	000001767	Water Dump Valve - 115V/60 Hz		
2b	000001768	Water Dump Valve - 208-230V/50-60 Hz		
2c	6058459	Water Dump Valve Mounting Bracket		
2d	4420383	Clear Tubing - 0.625" ID		
3		Harvest Valve		
3a	000007029	Harvest Valve Including 115V/60 Hz Electrical Coil		
3b	000005156	Solenoid Valve Coil Only - 115V/60 Hz		[1]
3c	000007028	Harvest Valve Including 208-230V / 50-60 Hz Electrical Coil		
3d	000005157	Danfoss Solenoid Valve Coil Only - 230V/50-60 Hz		[2]
4	8930259	Drier		
5	000003405	Insulated Tube		
5a	5650609	Snap Clamp - 1.0" ID		
5b	5650709	Snap Clamp - 0.799"/0.899" ID		
6	000002719	Valve Insulation Boot - Bulb		
6a	5650529	Clamp - Expansion Valve Bulb		
6b	3000833	Strap - Expansion Valve Bulb - 0.375"		
7	000012462	Expansion Valve		
7a	4000403	Valve Insulation Boot - Body		
8	000012651	Ice Thickness Float		
8a	000010630	Bracket - Ice Thickness Float		
9	000012649	Harvest Float		
9a	000010818	Bracket - Harvest Float		
10		Water Pump		
10a	2008929	Water Pump - 115V/60 Hz		
10b	2008939	Water Pump - 230V/60 Hz		
10c	2008949	Water Pump - 230V/50 Hz		
11	000010244	Water Pump Mount		
12	8706133	Female Wing Adapter - 0.50"		
12a	000001382	Vinyl Tubing 0.625" ID		
12b	6038831	Insulation 0.88 ID X 0.25W X 13.50L		
12c	5650709	Snap Clamp - 0.799"/0.899" ID		
13	8706093	Female Wing Adapter - 0.375"		
13a	1360961	Male Connector		
14		Water Inlet Valve		
14a	000009120	Water Inlet Valve - 115V/60 Hz/1 Ph		
14b	000009126	Water Inlet Valve - 208-230V/50-60 Hz		
15	6061709	Compressor Mounting Base		
16		Rubber Grommet - See Note for Usage		
16a	000010851	Rubber Grommet		[3]
16b	000010698	Rubber Grommet		[4]
17	5202069	Screw - #10-24 x 0.50" HEX		

Parts

K0250

K0250 Refrigeration Compartment

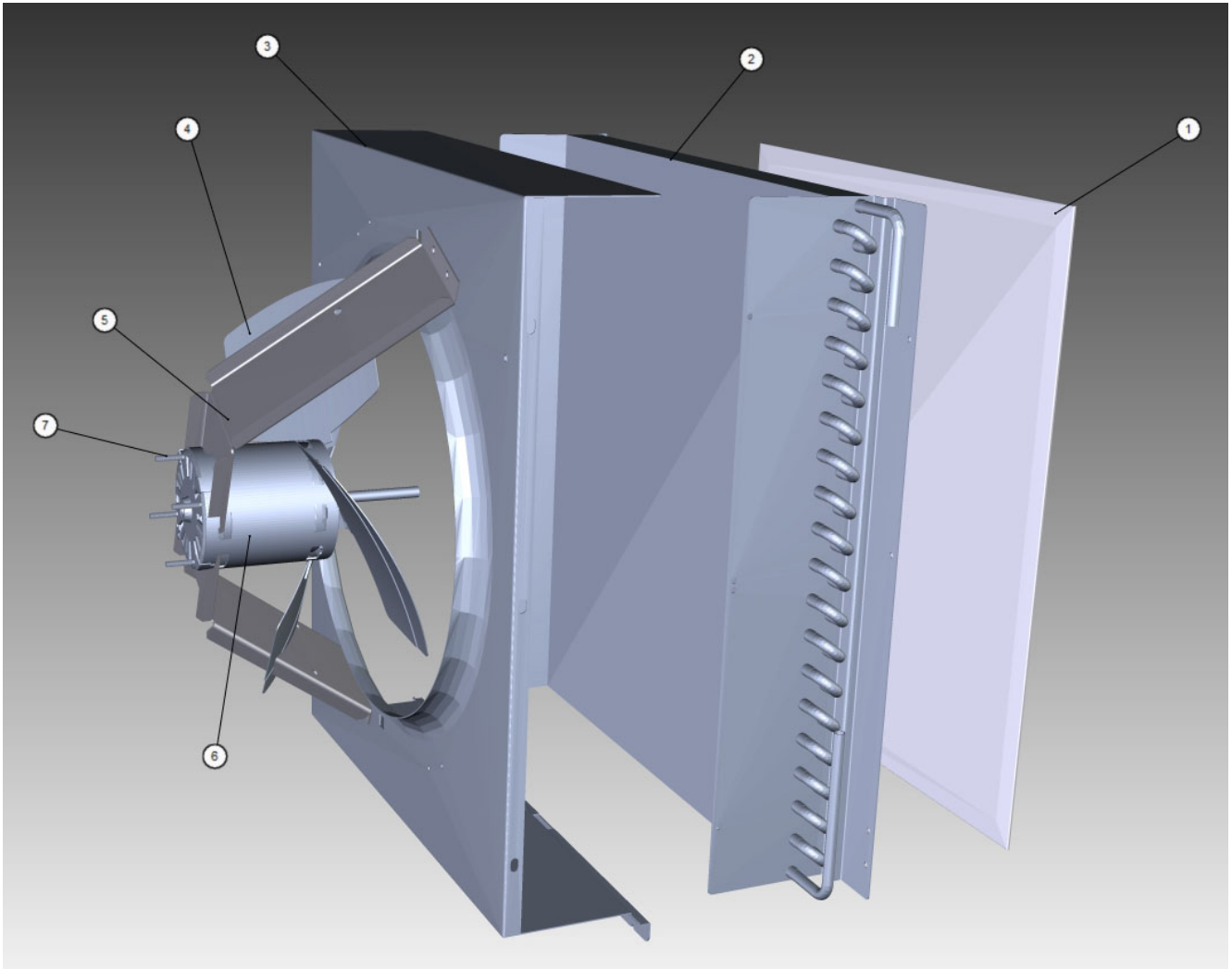
#	PART #	DESCRIPTION	QTY	Note
18	000011505	Terminal Cover		
18a	000011506	Terminal Cover Gasket		
18b	000010854	Terminal Cover Nut		

PART NOTES:

- [1] - \pages from 000005156_02.jpg" width=280 height=256>
- [2] - \pages from 000005156_02.jpg" width=266 height=183>
- [3] - 60 Hz
- [4] - 50 Hz

K0250

K0250 Air-cooled Compartment



Parts

K0250 Air-cooled Components

K0250

K0250 Air-cooled Compartment

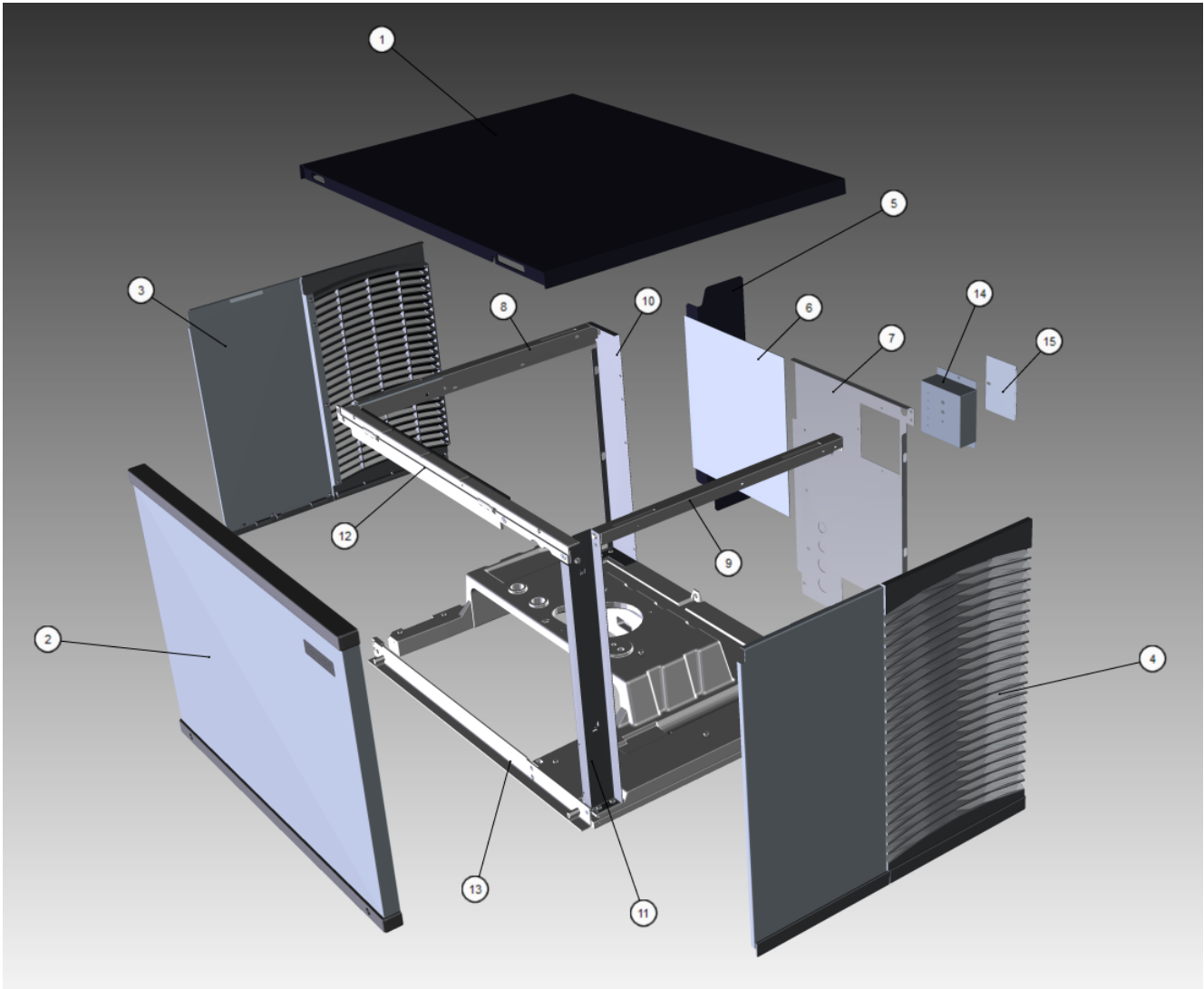
#	PART #	DESCRIPTION	QTY	Note
1	3005699	Air Filter		
2		Air Condenser - See Note for Usage		
2a	000010602	Air Condenser		[1]
2b	000008832	Air Condenser		[2]
3	6065469	Fan Shroud		
4	2416223	Fan Blade		
5	000010922	Fan Motor Bracket		
6		Fan Motor		
6a	2412813	Fan Motor - 115V/60 Hz		
6b	2412823	Fan Motor - 208-230V/50-60 Hz		
7		Fan Motor Mounting		
7a	5033589	Mounting - ScrewFan Motor		
7b	000000936	Mounting - NutFan Motor Mounting -		
8	5202069	Screw - #10-24 x 0.50" HEX		

PART NOTES:

- [1] - 60 Hz
- [2] - 50 Hz

K0250

K0250 Panels



Parts

K0250 Panels

K0250

K0250 Panels

#	PART #	DESCRIPTION	QTY	Note
1	000010523	Top Cover		
2	000012139	Front Panel		
2a	000010293	Front Panel Mounting Brackets		
2b	000008023	Screw - #8-32 x 0.875"		
3	000011271	Right Side Panel		
4	000011272	Left Side Panel		
5	000007314	Air Baffle Assembly		
6	3005699	Air Filter		
7	000010670	Back Panel - Air-cooled		
8	6068649	Left Top Channel		
9	6062579	Right Top Channel		
10	000011329	Left Corner Post		
11	000011326	Right Corner Post		
12	000010269	Front Top Support		
13	000010268	Bottom Door Frame		
14	6067289	Rear Connection Box		
15	6067299	Cover - Rear Connection Box		
16	2006143	Terminal Block - 50 Hz - 3 Pole		
17	5202169	Screw - #10-24 x 0.50" Ground		
18	5005099	Screw - #10-16 x 0.625"		
19	8706083	Female Wing Adapter - 0.50"		
20	5202099	Screw - #10-24 x 0.50" PHIL		
21	000012225	Cartoning		