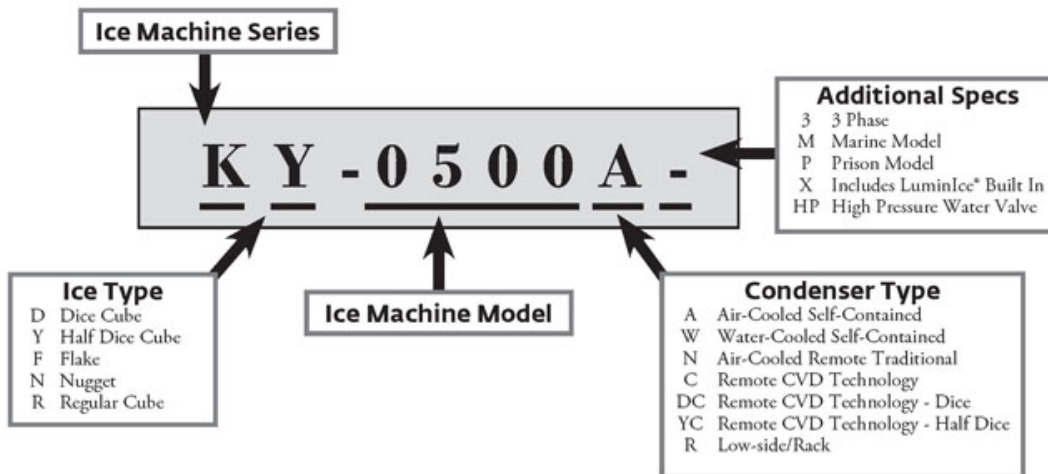




# Manitowoc

## Foodservice

### HOW TO READ A MODEL NUMBER

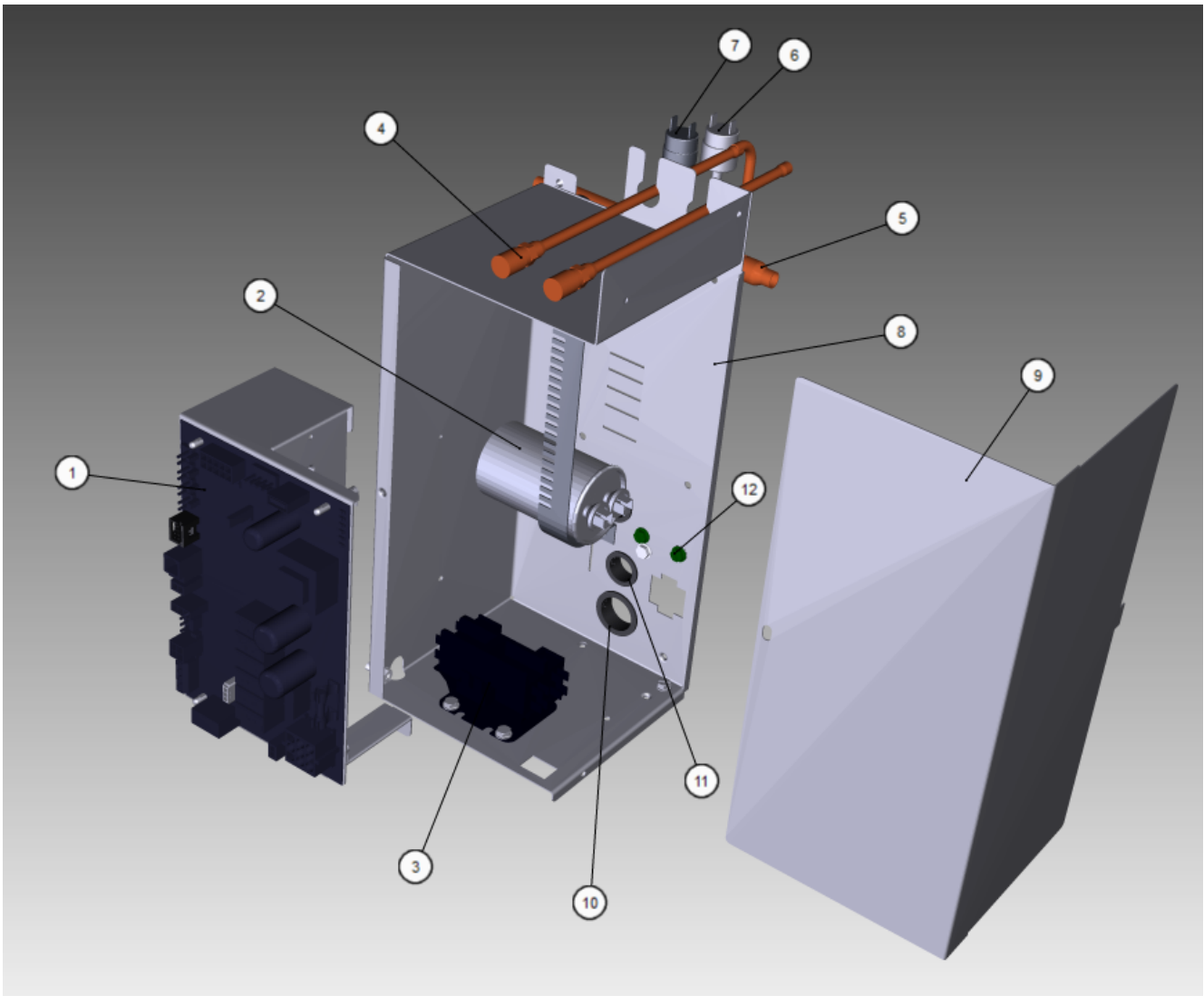


# TABLE OF CONTENTS

|                                      |    |
|--------------------------------------|----|
| K0500                                |    |
| Parts                                |    |
| K0500 Control Box.....               | 1  |
| K0500 Evaporator Compartment.....    | 3  |
| K0500 Refrigeration Compartment..... | 5  |
| K0500 Air-cooled Compartment.....    | 8  |
| K0500 Water-cooled Compartment.....  | 10 |
| K0500 Panels.....                    | 12 |

# K0500

## K0500 Control Box



---

### Parts

K0500 Control Box

# K0500

## K0500 Control Box

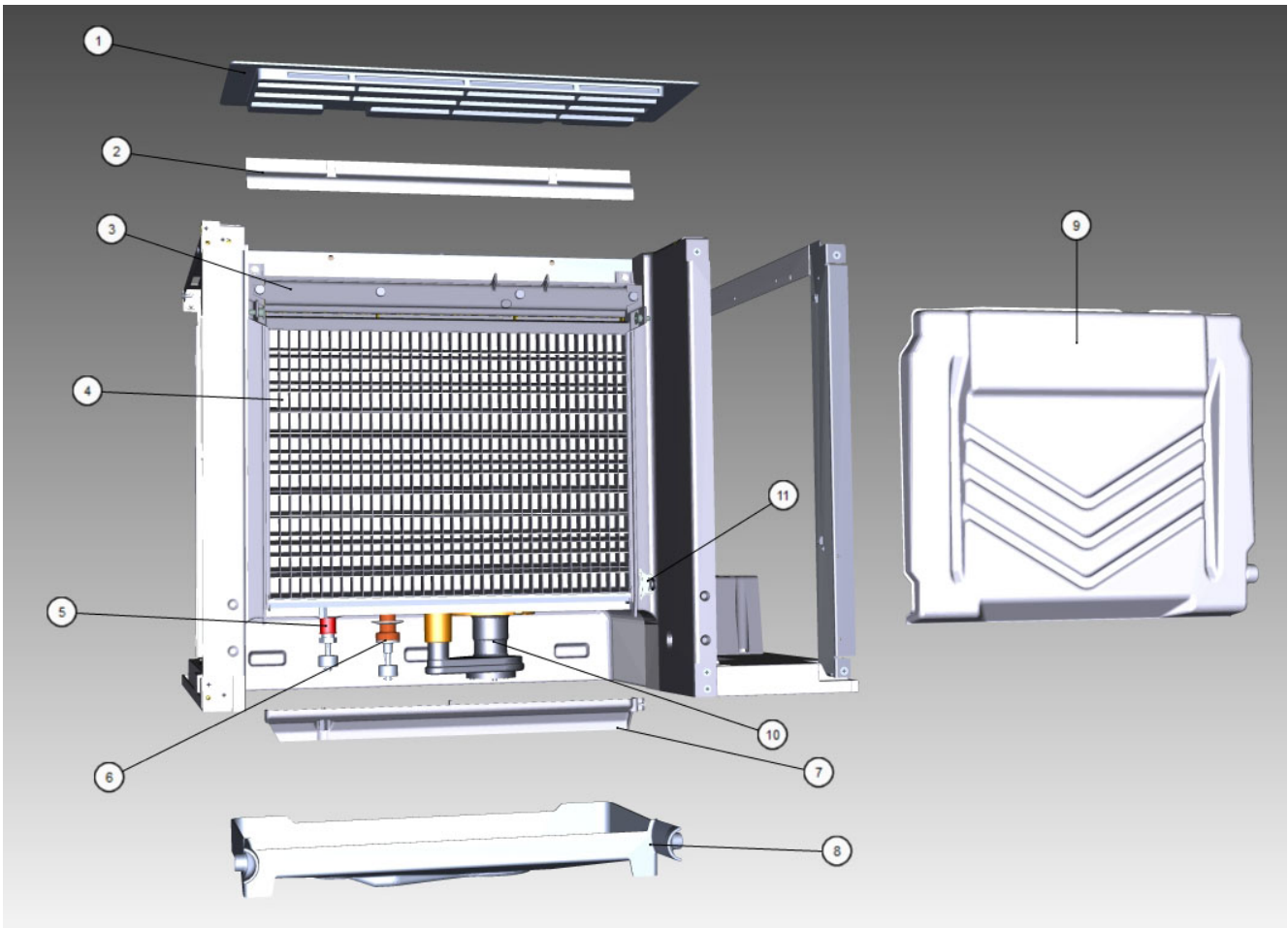
| #   | PART #    | DESCRIPTION  | QTY | Note |
|-----|-----------|--|-----|------|
| 1   | 040002007 | Control Board  |     |      |
| 1a  | 000012211 | 3.5 amp Ceramic Fuse                                   |     |      |
| 1b  | 4302253   | Control Board Mounting Supports                        |     |      |
| 2   |           | Run Capacitor - See Note for Usage                     |     |      |
| 2a  | 000005488 | Run Capacitor - 115-230V/50-60 Hz/1 Ph                 |     | [1]  |
| 2b  | 000011640 | Run Capacitor - 230V/50-60Hz/1 Ph                      |     |      |
| 2c  | 000010711 | Bracket - Run Capacitor                                |     |      |
| 3   |           | Contactor  |     |      |
| 3a  | 2006589   | Contactor - 115V/60 Hz/1 Ph                            |     |      |
| 3b  | 2006599   | Contactor - 230V/50-60 Hz/1 Ph                         |     |      |
| 4   | 8373263   | Refrigeration Service Valve Assembly                   |     |      |
| 5   | 000011170 | Manifold Strainer                                      |     |      |
| 5a  | 000011055 | Manifold Strainer - Bracket                            |     |      |
| 6   | 000008816 | High Pressure Cut-out                                  |     |      |
| 7   | 000008830 | Fan Cycle Control                                      |     |      |
| 8   | 000010617 | Control Box  |     |      |
| 9   | 000012138 | Control Box Cover                                      |     |      |
| 10  | 2501409   | Bushing - 0.875"                                       |     |      |
| 11  | 2500019   | Bushing - 1.187"                                       |     |      |
| 12  | 2502189   | Bushing - 0.625"                                       |     |      |
| 13  | 5202169   | Screw - #10-24 x 0.50" Ground                          |     |      |
| 14  | 2007939   | Toggle Switch  |     |      |
| 15  |           | Wiring Harness   |     |      |
| 15a | 000010264 | Control Box Wiring Harness - 115V/60 Hz/1 Ph           |     |      |
| 15b | 000010265 | Control Box Wiring Harness - 230V/60 Hz/1 Ph           |     |      |
| 15c | 000010599 | Control Box Wiring Harness - 230V/50 Hz/1 Ph           |     |      |
| 15d | 000011182 | Wiring Harness - Compressor                            |     |      |
| 15e | 000010724 | Wiring Harness - Toggle Switch                         |     |      |
| 15f | 000010511 | Wiring Harness - Float Switch to Control Box           |     |      |
| 15g | 000007185 | Wiring Harness - Compressor Compartment - Air-cooled   |     |      |
| 15h | 000007177 | Wiring Harness - Compressor Compartment - Water-cooled |     |      |
| 16  | 2006143   | Terminal Block - 50 Hz - 3 Pole                        |     | [2]  |

### PART NOTES:

- [1] - 115V/60 Hz
- [2] - 50 Hz Only

# K0500

## K0500 Evaporator Compartment



### Parts

K0500 Evap Comp

# K0500

## K0500 Evaporator Compartment

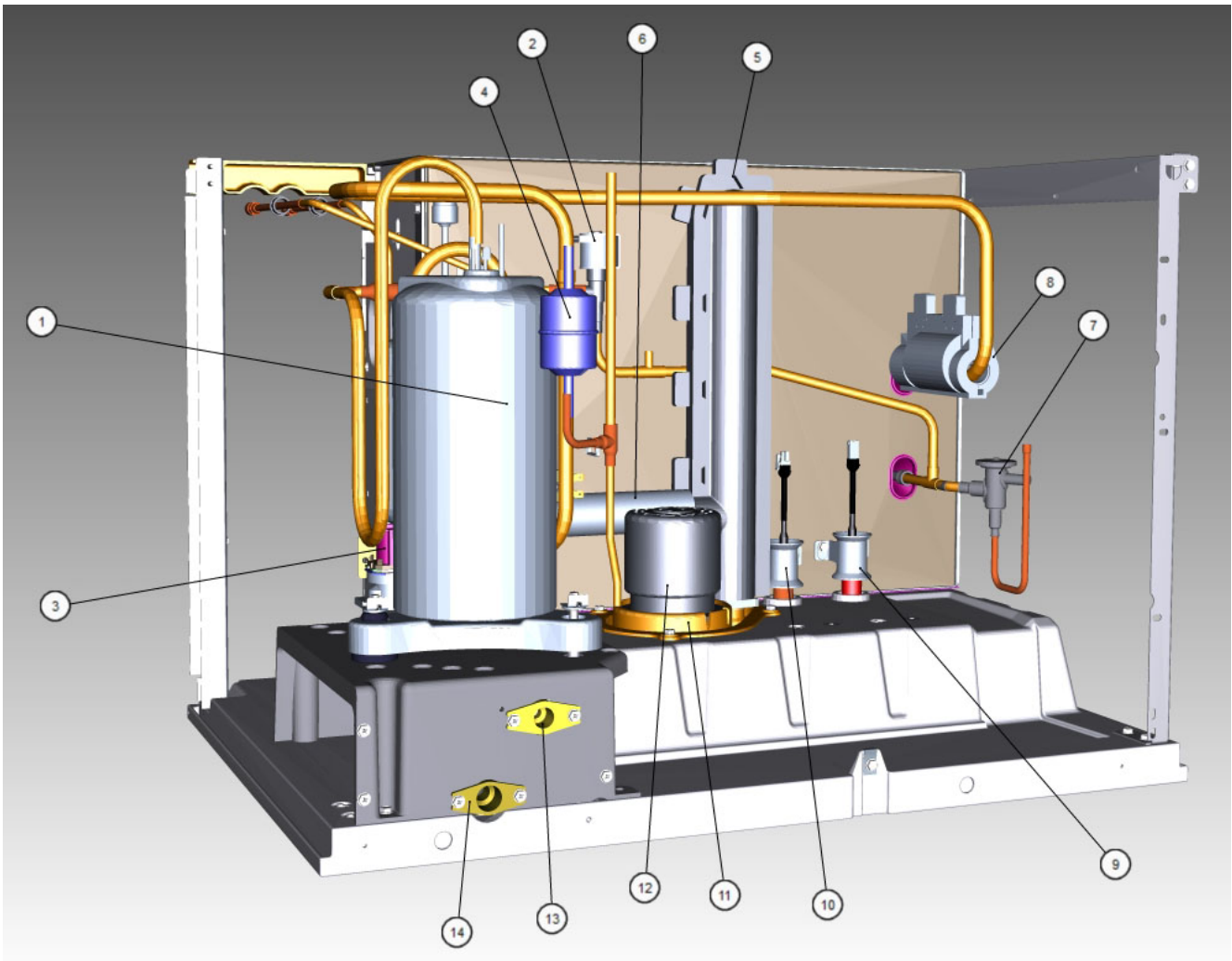
| #   | PART #    | DESCRIPTION                          | QTY | Note |
|-----|-----------|--------------------------------------|-----|------|
| 1   | 000009055 | Foodzone Seal Panel                  |     |      |
| 2   | 4008469   | Evaporator Top Filler Panel          |     |      |
| 2a  | 5202099   | Screw - #10-24 x 0.50" PHIL          |     |      |
| 3   | 7602193   | Water Distribution Tube - 30" L      |     |      |
| 3a  | 5004799   | Thumbscrew SS - #8-32 x 0.375"       |     |      |
| 3b  | 5004629   | O-Ring - 0.125" ID                   |     |      |
| 4   |           | Evaporator Assembly                  |     |      |
| 4a  | 7602839   | Evaporator - Dice Cube               |     |      |
| 4b  | 7602849   | Evaporator - Half Dice Cube          |     |      |
| 4c  | 5004619   | Screw - #12-16 x 0.687"              |     |      |
| 5   | 000012651 | Ice Thickness Float                  |     |      |
| 5a  | 000010630 | Bracket - Ice Thickness Float        |     |      |
| 6   | 000012649 | Harvest Float                        |     |      |
| 6a  | 000010818 | Bracket - Harvest Float              |     |      |
| 7   | 7602213   | Water Diverter - 30" Models          |     |      |
| 7a  | 5305123   | Thumbscrew SS - #8-32 x 0.44"        |     |      |
| 8   | 000010828 | Water Trough                         |     |      |
| 9   | 4010979   | Water Curtain                        |     |      |
| 10  |           | Water Pump - See Note for Usage      |     |      |
| 10a | 8251129   | Water Pump - 115V/60 Hz              |     |      |
| 10b | 8252109   | Water Pump - 230V/50 Hz              |     | [1]  |
| 10c | 000010244 | Water Pump Mount                     |     |      |
| 10d | 5004659   | Water Pump Base O-Ring - 4.00" ID    |     |      |
| 10e | 5004679   | Water Pump Outlet O-Ring - 0.875" ID |     |      |
| 11  | 000010510 | Magnetic Bin Switch                  |     |      |
| 12  | 7602203   | Evaporator Top Frame Assembly        |     |      |

### PART NOTES:

[1] - 230V/50 Hz

# K0500

## K0500 Refrigeration Compartment



### Parts

K0500 Ref Comp

# K0500

## K0500 Refrigeration Compartment

| #   | PART #    | DESCRIPTION   | QTY | Note |
|-----|-----------|---|-----|------|
| 1   |           | Compressor  |     |      |
| 1a  | 000010462 | Compressor - Samsung - 115V/60 Hz/1 Ph                  |     |      |
| 1b  | 000011145 | Overload Protector - 115V/60 Hz/1 Ph                    |     |      |
| 1c  | 000010464 | Compressor - Samsung - 230V/50 Hz/1 Ph                  |     |      |
| 2   |           | Harvest Valve   |     |      |
| 2a  | 000007027 | Solenoid Valve with Electrical Coil - 115V/60 Hz        |     |      |
| 2b  | 000005156 | Solenoid Valve Coil Only - 115V/60 Hz                   |     | [1]  |
| 2c  | 000007026 | Solenoid Valve with Electrical Coil - 208-230V/50-60 Hz |     |      |
| 2d  | 000005157 | Danfoss Solenoid Valve Coil Only - 230V/50-60 Hz        |     | [2]  |
| 3   |           | Water Dump Valve  |     |      |
| 3a  | 000001767 | Water Dump Valve - 115V/60 Hz                           |     |      |
| 3b  | 000001768 | Water Dump Valve - 208-230V/50-60 Hz                    |     |      |
| 3c  | 6058459   | Water Dump Valve Mounting Bracket                       |     |      |
| 3d  | 4420383   | Clear Tubing - 0.625" ID                                |     |      |
| 4   | 8930259   | Drier   |     |      |
| 5,6 | 000003405 | Insulated Tube  |     |      |
| 7   | 000012224 | Expansion Valve   |     |      |
| 7a  | 4013299   | Valve Insulation Boot - Body                            |     |      |
| 8   | 000002719 | Valve Insulation Boot - Bulb                            |     |      |
| 9   | 000012651 | Ice Thickness Float                                     |     |      |
| 9a  | 000010630 | Bracket - Ice Thickness Float                           |     |      |
| 10  | 000012649 | Harvest Float   |     |      |
| 10a | 000010818 | Bracket - Harvest Float                                 |     |      |
| 11  | 000010244 | Water Pump Mount  |     |      |
| 12  |           | Water Pump  |     |      |
| 12a | 8251129   | Water Pump - 115V/60 Hz                                 |     |      |
| 12b | 8252109   | Water Pump - 230V/50 Hz                                 |     |      |
| 13  | 8706093   | Female Wing Adapter - 0.375"                            |     |      |
| 14  | 8706133   | Female Wing Adapter - 0.50"                             |     |      |
| 15  |           | Water Inlet Valve                                       |     |      |
| 15a | 000009123 | Water Inlet Valve - 115V/60 Hz/1 Ph                     |     |      |
| 15b |           |   |     |      |
| 15c | 4010439   | Tubing - Water Inlet Valve                              |     | [3]  |
| 15d | 1360989   | Connector - Water Inlet Valve                           |     |      |
| 16  | 5650609   | Snap Clamp - 1.0" ID                                    |     |      |
| 17  | 5650709   | Snap Clamp - 0.799"/0.899" ID                           |     |      |
| 18  | 000001382 | Vinyl Tubing 0.625" ID                                  |     |      |
| 18a | 6038831   | Insulation 0.88 ID X 0.25W X 13.50L                     |     |      |
| 19  | 1360961   | Male Connector  |     |      |
| 20  | 5650529   | Clamp - Expansion Valve Bulb                            |     |      |
| 21  | 3000833   | Strap - Expansion Valve Bulb - 0.375"                   |     |      |
| 22  | 5202069   | Screw - #10-24 x 0.50" HEX                              |     |      |
| 23  | 000008346 | Compressor Base   |     |      |

### PART NOTES:

- [1] - \pages from 000005156\_02.jpg" width=280 height=256>  
 [2] - \pages from 000005156\_02.jpg" width=266 height=183>

### Parts

# K0500

## K0500 Refrigeration Compartment

| #   | PART # | DESCRIPTION  | QTY | Note |
|-----|--------|--|-----|------|
| [3] |        | - \pages from 401043_05.jpg" width=1797 height=2238> |     |      |

---

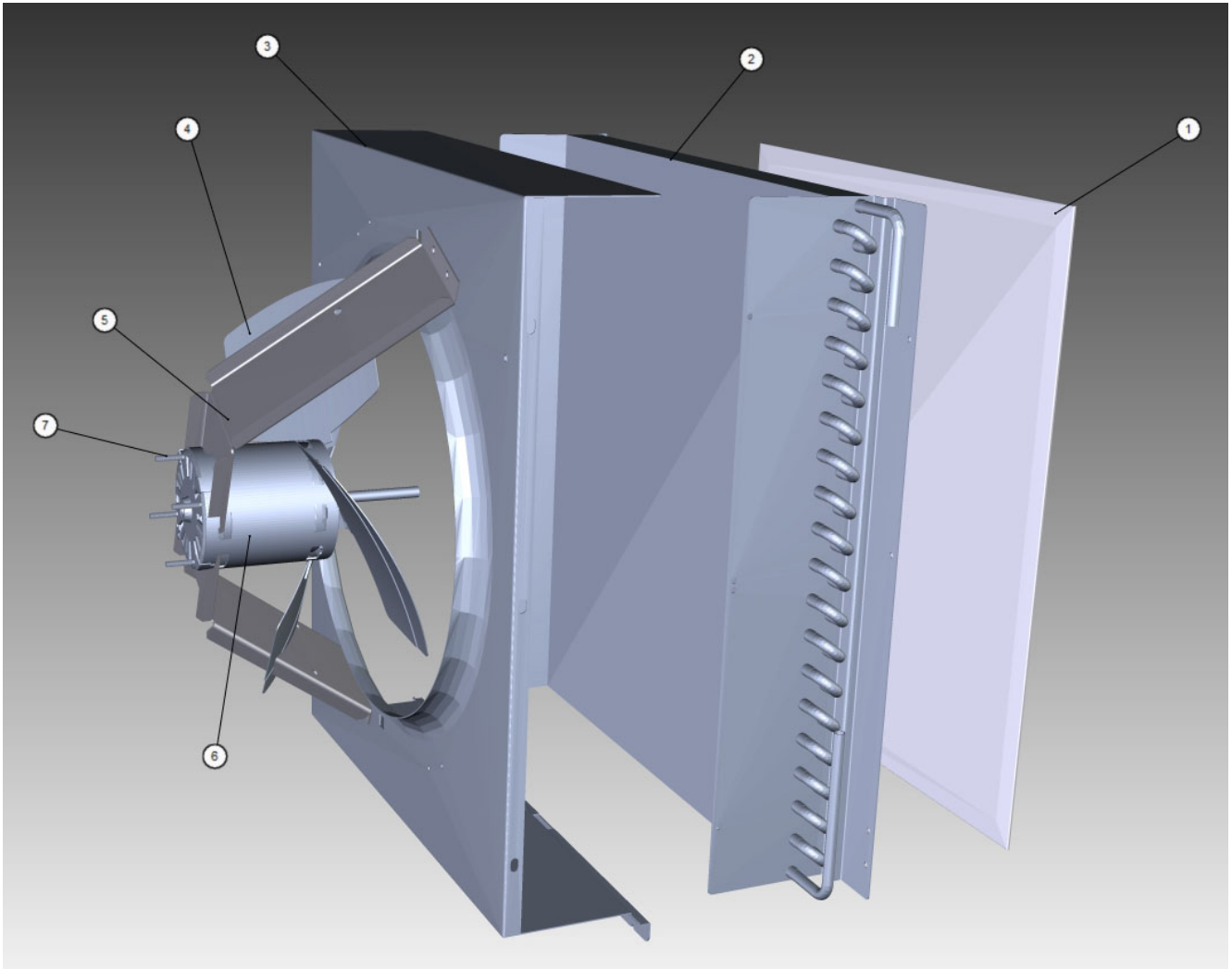
Parts

K0500 Ref Comp



# K0500

## K0500 Air-cooled Compartment



---

### Parts

K0500 Air-cooled

# K0500

## K0500 Air-cooled Compartment

| #  | PART #    | DESCRIPTION                 | QTY | Note |
|----|-----------|-----------------------------|-----|------|
| 1  | 3005569   | Air Filter                  |     |      |
| 2  | 000008850 | Air Condenser               |     |      |
| 3  | 000002484 | Fan Shroud                  |     |      |
| 4  | 2416203   | Fan Blade                   |     |      |
| 5  | 6061869   | Fan Motor Bracket           |     |      |
| 6  |           | Fan Motor                   |     |      |
| 6a | 2412929   | Fan Motor 115V/60 Hz/1 Ph   |     |      |
| 6b | 2412939   | Fan Motor 208-230V/50-60 Hz |     |      |
| 7  |           | Fan Motor Mounting          |     |      |
| 7a | 5033589   | Mounting - Screw            |     |      |
| 7b | 000000936 | Mounting - NutMounting -    |     |      |
| 8  | 5202069   | Screw - #10-24 x 0.50" HEX  |     |      |
| 9  | 000008830 | Fan Cycle Control           |     |      |

---

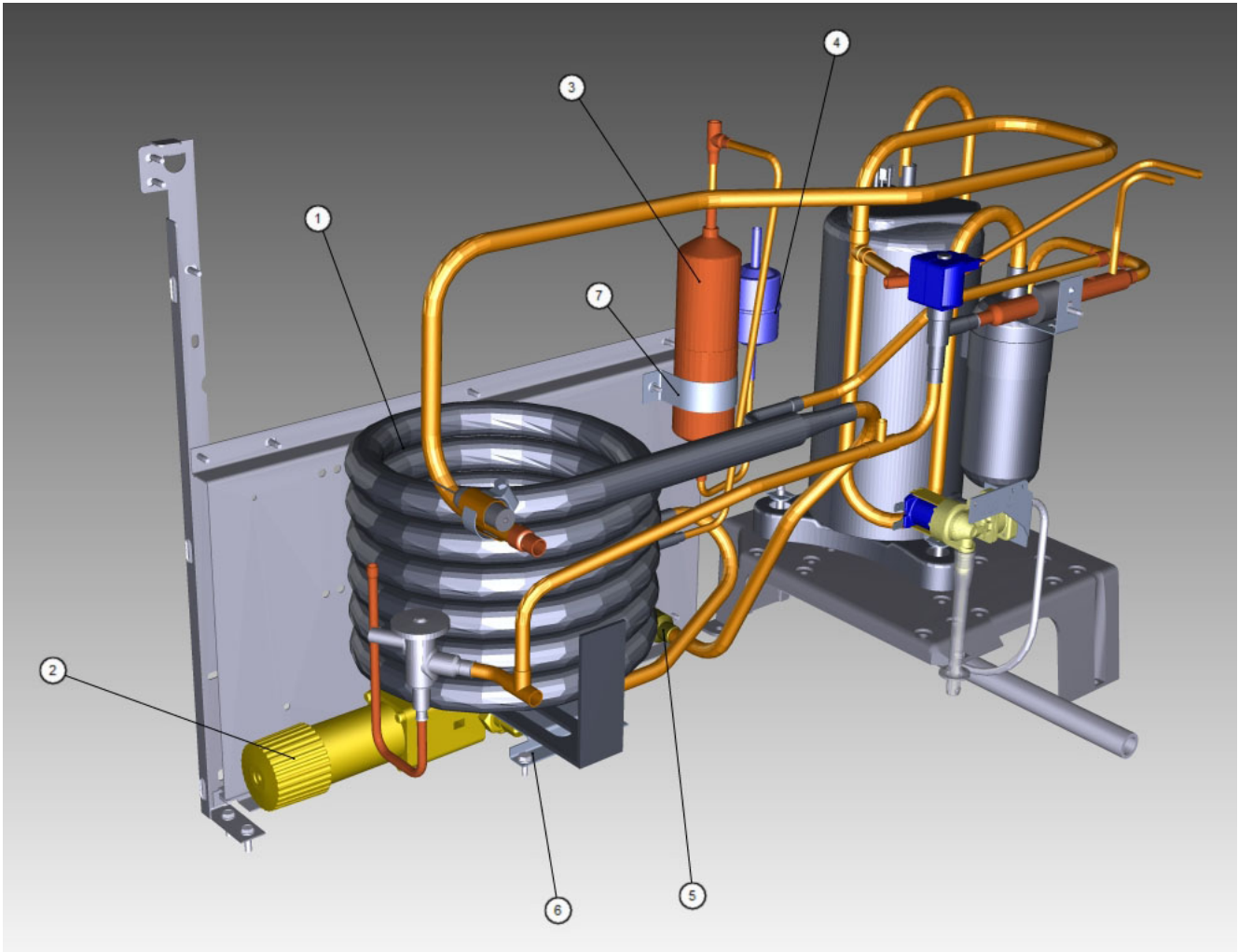
### Parts

K0500 Air-cooled



# K0500

## K0500 Water-cooled Compartment



---

### Parts

K0500 Water-cooled

# K0500

## K0500 Water-cooled Compartment

| #  | PART #    | DESCRIPTION                                    | QTY | Note |
|----|-----------|--|-----|------|
| 1  | 8865333   | Water-cooled Condenser                         |     |      |
| 2  | 000010620 | Water Regulating Valve                         |     |      |
| 3  | 000008892 | Receiver                                       |     |      |
| 4  | 8930259   | Drier  |     |      |
| 5  | 8706083   | Female Wing Adapter - 0.50"                    |     |      |
| 6  | 000010604 | Receiver Mounting BaseWater Condenser Mounting |     |      |
| 7  | 6000541   | Receiver Strap                                 |     |      |
| 8  | 5002249   | Elbow - 0.5" MF x 0.375" MPT                   |     |      |
| 9  | 5202069   | Screw - #10-24 x 0.50" HEX                     |     |      |
| 10 | 5573419   | Washer   |     |      |
| 11 | 5003883   | Flare Nut - 0.50"                              |     |      |

---

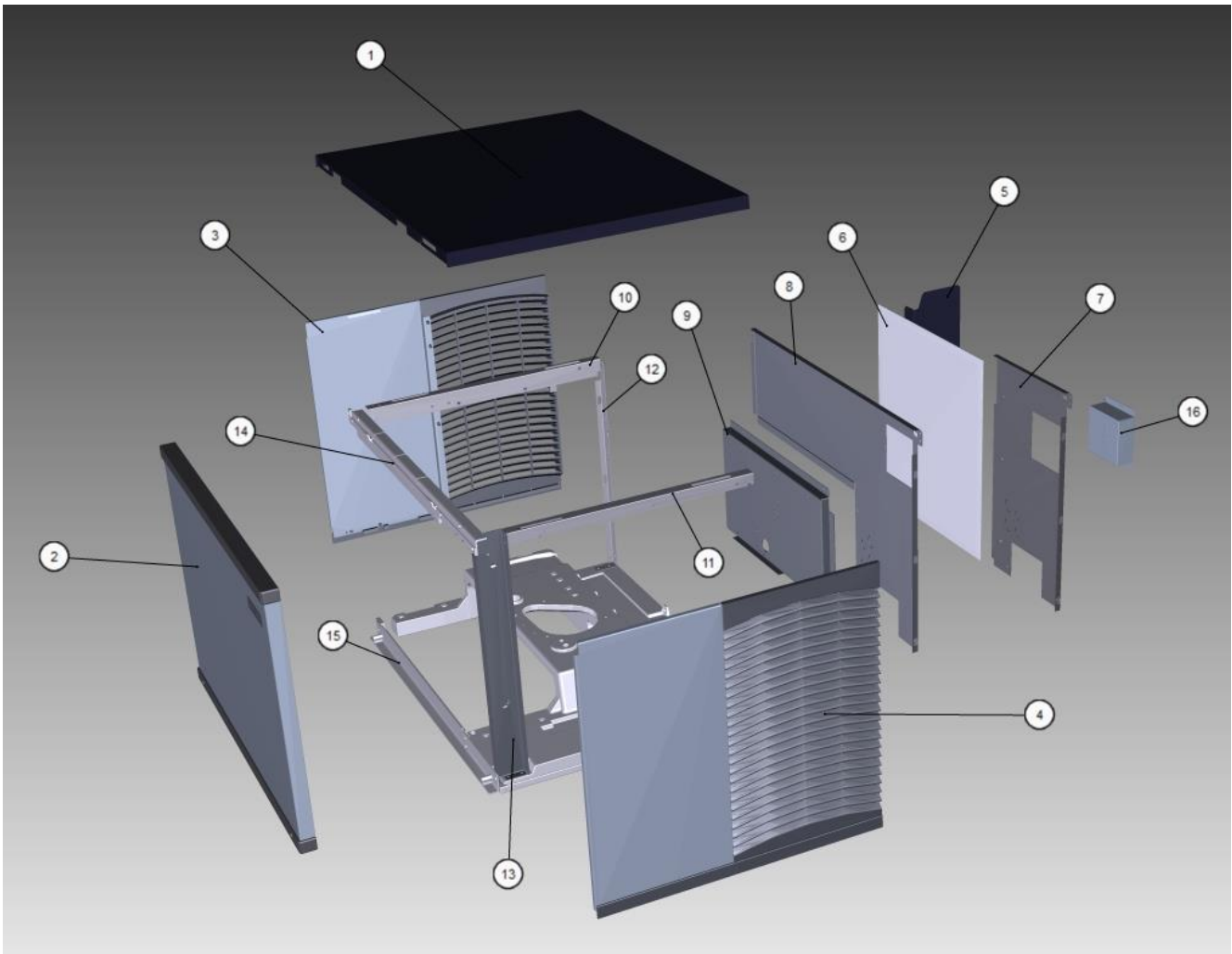
### Parts

K0500 Water-cooled



# K0500

## K0500 Panels



Parts

K0600 Panels

# K0500

## K0500 Panels

| #   | PART #    | DESCRIPTION                               | QTY | Note |
|-----|-----------|---|-----|------|
| 1   | 000010523 | Top Cover                                 |     |      |
| 2   | 000012139 | Front Panel                               |     |      |
| 3   | 000011271 | Right Side Panel                          |     |      |
| 4   | 000011272 | Left Side Panel                           |     |      |
| 5   | 000007314 | Air Baffle Assembly                       |     |      |
| 6   | 3005569   | Air Filter                                |     |      |
| 7   | 000011086 | Back Panel - Air-cooled                   |     |      |
| 8   | 000011092 | Back Panel - Water-cooled                 |     |      |
| 9   | 000010603 | Back Coupling Panel - Water-cooled/Remote |     |      |
| 10  | 6068649   | Left Top Channel                          |     |      |
| 11  | 6062579   | Right Top Channel                         |     |      |
| 12  | 000011100 | Left Corner Post                          |     |      |
| 13  | 000011326 | Right Corner Post                         |     |      |
| 14  | 000010269 | Front Top Support                         |     |      |
| 15  | 000010268 | Bottom Door Frame                         |     |      |
| 16  | 6067289   | Rear Connection Box                       |     |      |
| 16a | 6067299   | Cover - Rear Connection Box               |     |      |
| 17  | 000012225 | Cartoning                                 |     |      |