

Manitowoc Foodservice

HOW TO READ A MODEL NUMBER

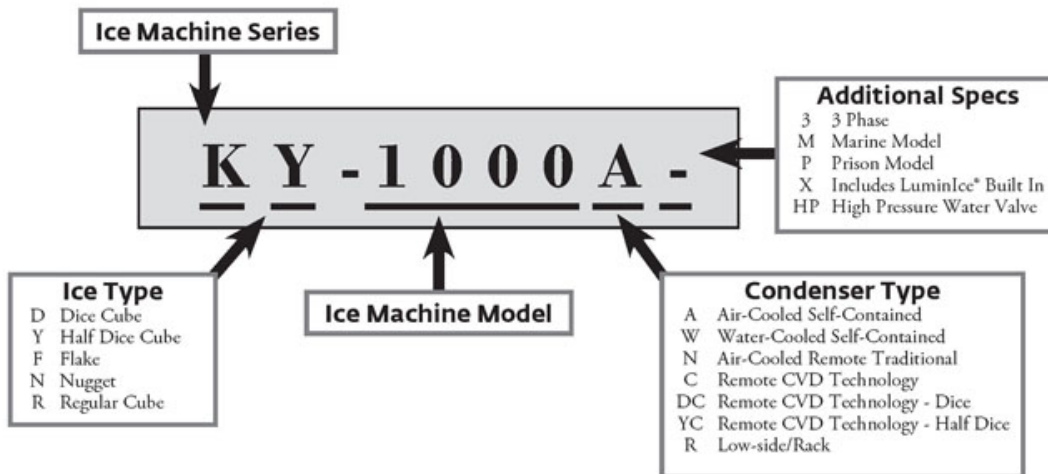
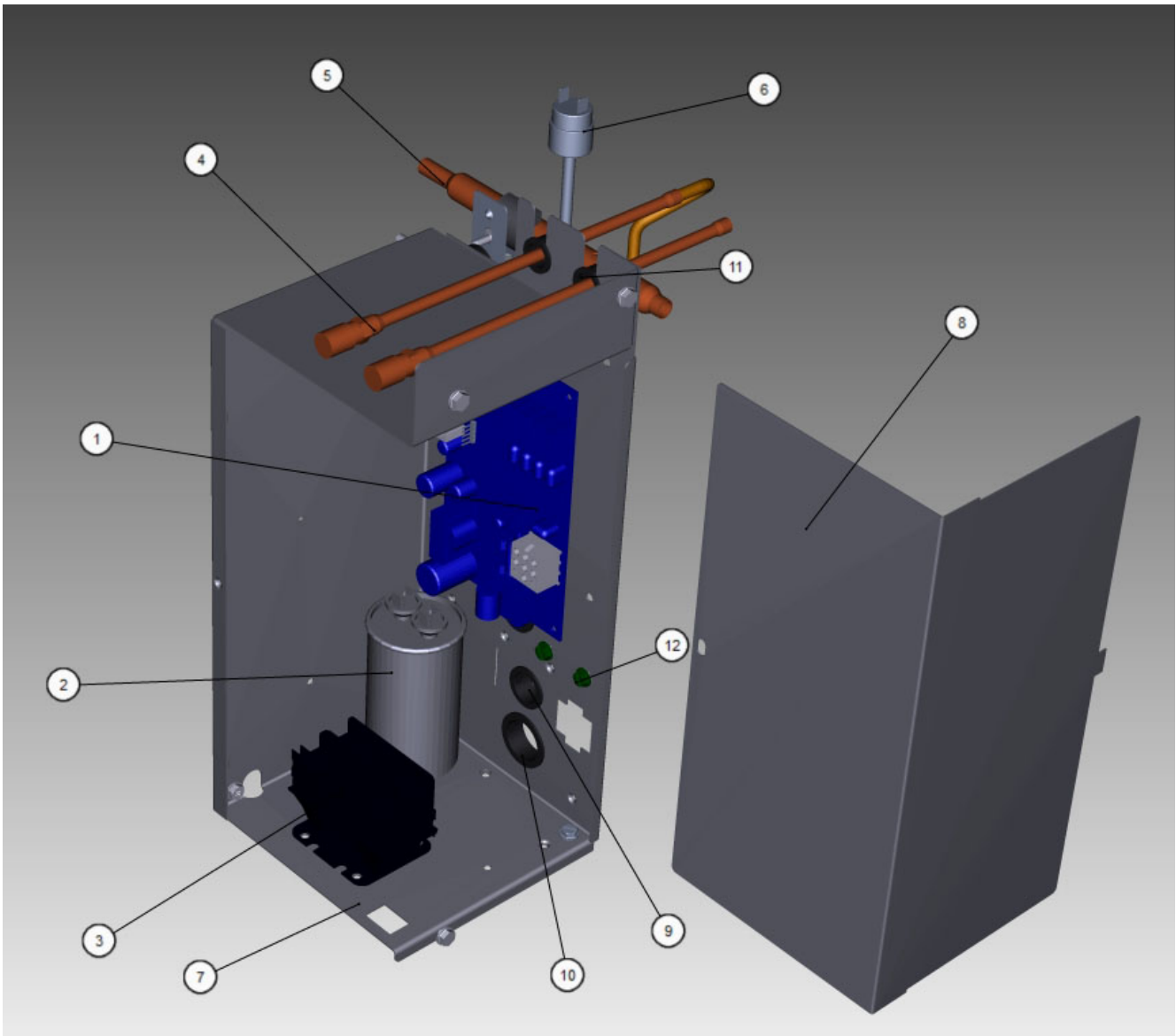


TABLE OF CONTENTS

K1000	
Parts	
K1000 Control Box.....	1
K1000 Evaporator Compartment.....	3
K1000 Refrigeration Compartment.....	5
K1000 Air-cooled Compartment.....	8
K1000 Water-cooled Compartment.....	10
K1000 Remote Compartment.....	12
K1000 Panels.....	14
KC1000 Remote Condenser.....	16

K1000

K1000 Control Box



Parts

K1000 Control Box

K1000

K1000 Control Box

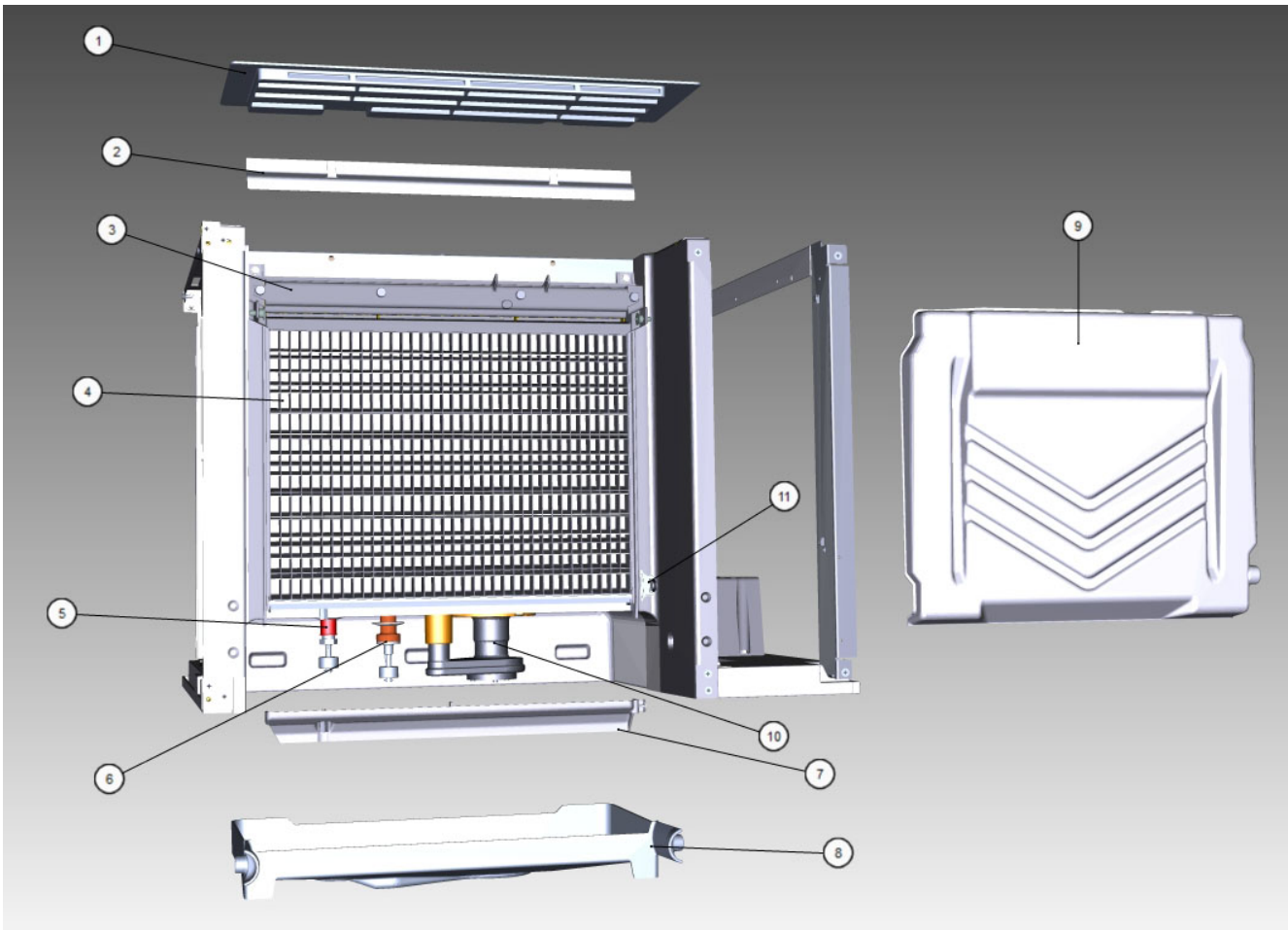
#	PART #	DESCRIPTION	QTY	Note
1	040002007	Control Board		
1a	000012211	3.5 amp Ceramic Fuse		
1b	4302253	Control Board Mounting Supports		
2		Run Capacitor - See Note for Usage		
2a	000000028	Run Capacitor - 208-230V/60 Hz/1 Ph		[1]
2b	000001395	Run Capacitor - 208-230V/50-60 Hz/1 Ph		[2]
2c	000011640	Run Capacitor - 230V/50-60Hz/1 Ph		[3]
2d	000010708	Run Capacitor - 208-230V/50 Hz/1 Ph		[4]
2e	000010711	Bracket - Run Capacitor		
3	2006599	Contactora - 230V/50-60 Hz/1 Ph		
4	8373263	Refrigeration Service Valve Assembly		
5	000011172	Manifold Strainer		
5a	000011055	Manifold Strainer - Bracket		
6	000008816	High Pressure Cut-out		
7	000010617	Control Box		
8	000012138	Control Box Cover		
9	2501409	Bushing - 0.875"		
10	2500019	Bushing - 1.187"		
11	2502189	Bushing - 0.625"		
12	5202169	Screw - #10-24 x 0.50" Ground		
13	2007939	Toggle Switch		
14		Wiring Harnesses		
14a	000010265	Control Box Wiring Harness - 230V/60 Hz/1 Ph		
14b	000010599	Control Box Wiring Harness - 230V/50 Hz/1 Ph		
14c	000005176	Compressor Molded Plug Wiring Harness		
14d	000010724	Wiring Harness - Toggle Switch		
14e	000010511	Wiring Harness - Float Switch to Control Box		
14f	000011771	Wiring Harness - PTCR		
14g	000007185	Wiring Harness - Compressor Compartment - Air-cooled		
14h	000007177	Wiring Harness - Compressor Compartment - Water-cooled		
14i	000011725	Wiring Harness - Compressor Compartment - Remote		
14j	000011182	Wiring Harness - Compressor		
15	8505003	PTCR Compressor Starter		[5]

PART NOTES:

- [1] - Used on Remote Models - 230V/60 Hz
- [2] - Used on Remote Models - 230V/50 Hz
- [3] - Used on Air- and Water-cooled Models - 230V/60 Hz
- [4] - Used on Air- and Water-cooled Models - 230V/50 Hz
- [5] - Used on Remote Models

K1000

K1000 Evaporator Compartment



Parts

K1000 Evap Comp

K1000

K1000 Evaporator Compartment

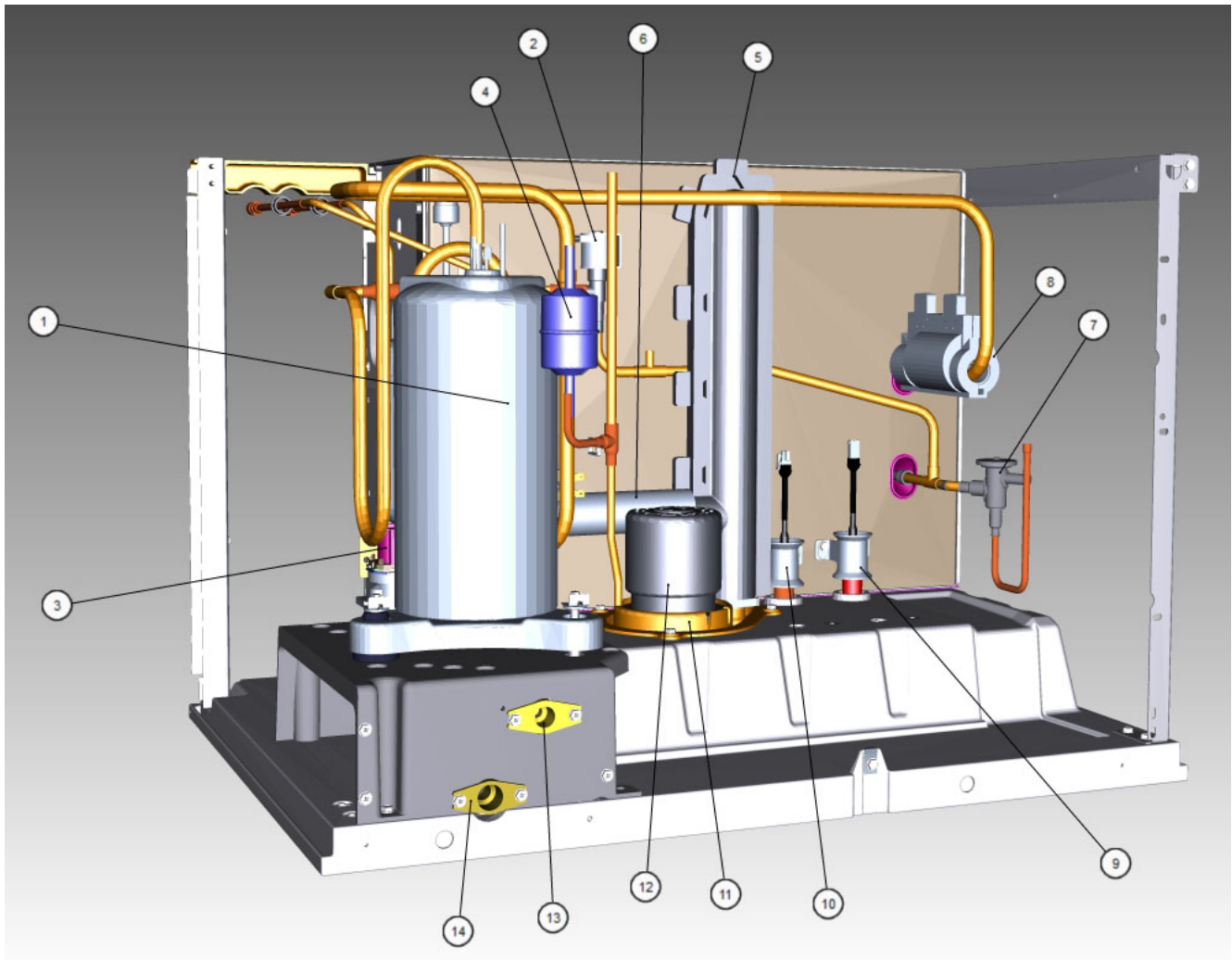
#	PART #	DESCRIPTION	QTY	Note
1	000011186	Foodzone Seal Panel		
2	3006729	Evaporator Top Filler Panel		
2a	5202099	Screw - #10-24 x 0.50" PHIL		
3	7602193	Water Distribution Tube - 30" L		
3a	5004799	Thumbscrew SS - #8-32 x 0.375"		
3b	5004629	O-Ring - 0.125" ID		
4		Evaporator Assembly		
4a	7604203	Evaporator - Dice Cube		
4b	7604213	Evaporator - Half Dice Cube		
4c	5004619	Screw - #12-16 x 0.687"		
5	000012651	Ice Thickness Float		
5a	000010630	Bracket - Ice Thickness Float		
6	000012649	Harvest Float		
6a	000010818	Bracket - Harvest Float		
7	7602213	Water Diverter - 30" Models		
7a	5305123	Thumbscrew SS - #8-32 x 0.44"		
8	000010337	Water Trough		[1]
9	4014489	Water Curtain		
10		Water Pump - See Note for Usage		
10a	2008109	Water Pump - 230V/60 Hz		
10b	2008119	Water Pump - 230V/50-60 Hz		[2]
10d	000010244	Water Pump Mount		
10e	5004659	Water Pump Base O-Ring - 4.00" ID		
10f	5004679	Water Pump Outlet O-Ring - 0.875" ID		
11	000010510	Magnetic Bin Switch		
12	7602203	Evaporator Top Frame Assembly		
13	4009613	Evaporator Bottom Frame Assembly		

PART NOTES:

- [1] - \water trough with tabs.jpg" width=355 height=194>
- [2] - 50 Hz

K1000

K1000 Refrigeration Compartment



Parts

K1000 Ref Comp

K1000

K1000 Refrigeration Compartment

#	PART #	DESCRIPTION	QTY	Note
1		Compressor - See Note for Usage		
1a	000011176	Compressor - Samsung - 208-230V/60 Hz/1 Ph		[1]
1b	000011177	Compressor - Samsung - 230V/50 Hz/1 Ph		[1]
1c	000011760	Compressor - Bristol - 230V/60 Hz/1 Ph		[2]
1d	000011761	Compressor - Bristol - 230V/50 Hz/1 Ph		[2]
2		Harvest Valve		
2a	000007015	Solenoid Valve Including - 208-230V/50-60 Hz Electrical Coil		
2b	000005157	Danfoss Solenoid Valve Coil Only - 230V/50-60 Hz		[3]
3		Water Dump Valve		
3a	000001768	Water Dump Valve - 208-230V/50-60 Hz		
3b	6058459	Water Dump Valve Mounting Bracket		
3c	4420383	Clear Tubing - 0.625" ID		
4		Drier - See Note for Usage		
4a	8930259	Drier		[4]
4b	8930249	Drier		[5]
5,6	000003408	Insulated Tube		
7	000012467	Expansion Valve		
7a	4013299	Valve Insulation Boot - Body		
8	000002719	Valve Insulation Boot - Bulb		
9	000012651	Ice Thickness Float		
9a	000010630	Bracket - Ice Thickness Float		
10	000012649	Harvest Float		
10a	000010818	Bracket - Harvest Float		
11	000010244	Water Pump Mount		
12		Water Pump - See Note for Usage		
12a	2008109	Water Pump - 230V/60 Hz		
12b	2008119	Water Pump - 230V/50-60 Hz		[6]
13	8706093	Female Wing Adapter - 0.375"		
14	8706133	Female Wing Adapter - 0.50"		
15		Water Inlet Valve		
15a	000009121	Water Inlet Valve - 208-230V/50-60 Hz		
15b	4010439	Tubing - Water Inlet Valve		[7]
16	5650609	Snap Clamp - 1.0" ID		
17	5650709	Snap Clamp - 0.799"/0.899" ID		
18	000001382	Vinyl Tubing 0.625" ID		
18a	6038831	Insulation 0.88 ID X 0.25W X 13.50L		
19	1360961	Male Connector		
20	5650529	Clamp - Expansion Valve Bulb		
21	3000503	Strap - Expansion Valve Bulb - 0.5"		
22	5202069	Screw - #10-24 x 0.50" HEX		
23	000008346	Compressor Base		
23a	6061709	Compressor Mounting Base		[8]
23b	000010698	Rubber Grommet Samsung Mounting -		[9]
23c	8503069	Mounting - Rubber Grommet Bristol		[10]
24	000011505	Terminal Cover		[11]
24a	000011506	Terminal Cover Gasket		[11]

Parts

K1000

K1000 Refrigeration Compartment

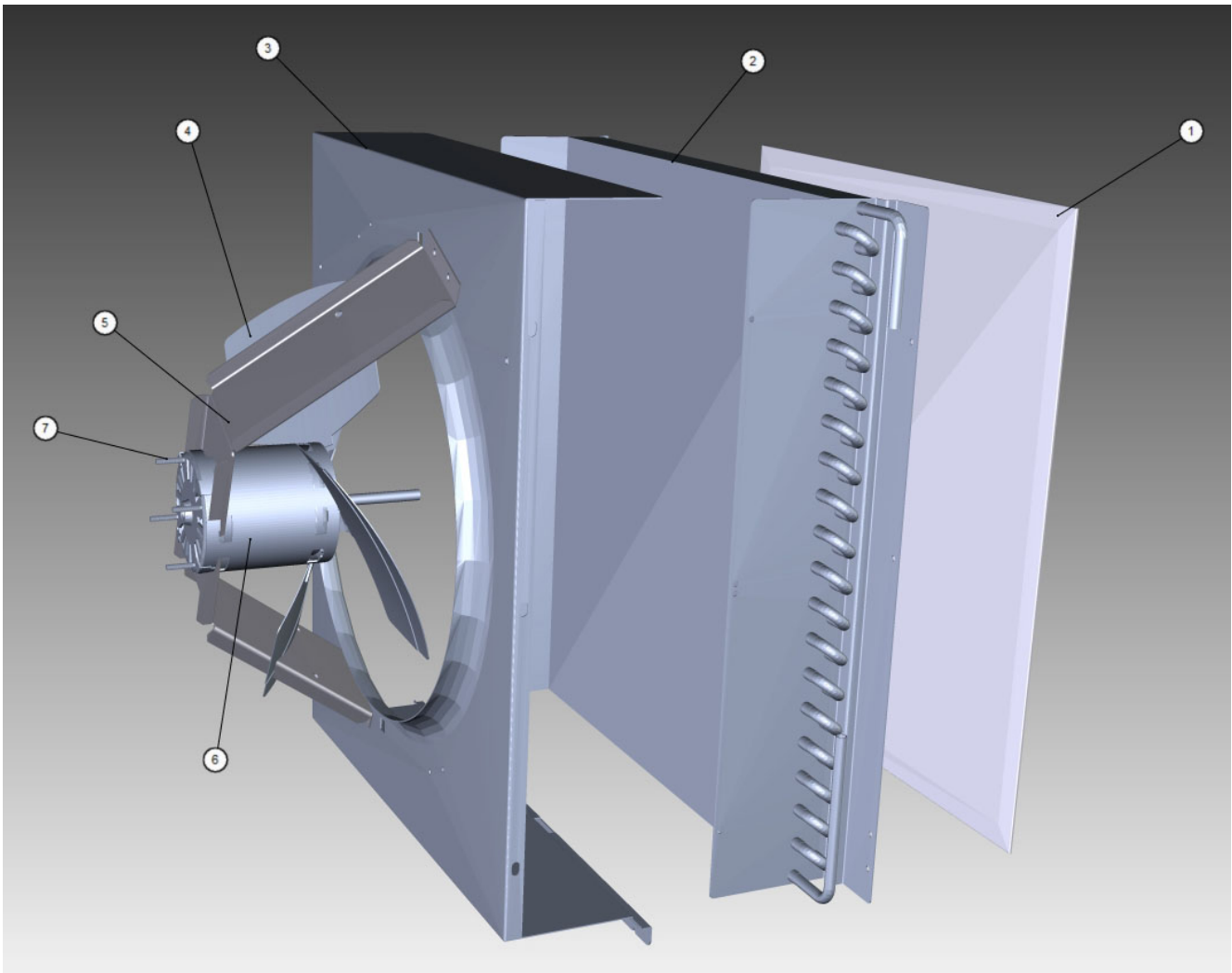
#	PART #	DESCRIPTION	QTY	Note
24b	000010854	Terminal Cover Nut		[11]
25	8373149	Magni-Check Valve - 0.375"		

PART NOTES:

- [1] - Used on Air- and Water-cooled Models
- [2] - Used on Remote Models
- [3] - \pages from 000005156_02.jpg" width=266 height=183>
- [4] - Air-cooled Water-cooled Models
- [5] - Remote Models
- [6] - 50 Hz
- [7] - \pages from 401043_05.jpg" width=1797 height=2238>
- [8] - Includes mounting hardware, order grommet separately
- [9] - Pkg of 1
- [10] - Pkg of 4
- [11] - Used with Samsung Compressors

K1000

K1000 Air-cooled Compartment



Parts

K1000 Air-cooled

K1000

K1000 Air-cooled Compartment

#	PART #	DESCRIPTION	QTY	Note
1	3005559	Air Filter		
2	000011691	Air Condenser		
3	000010727	Fan Shroud		
4	2416123	Fan Blade		
5	3006843	Fan Motor Bracket		
6	7626723	Fan Motor - 208-230V/50-60 Hz		
7		Fan Motor Mounting		
7a	5033589	Mounting - Screw		
7b	00000936	Mounting - NutMounting -		
8	5202069	Screw - #10-24 x 0.50" HEX		
9	000008831	Fan Cycle Control		
10	000007678	Air Baffle Assembly		

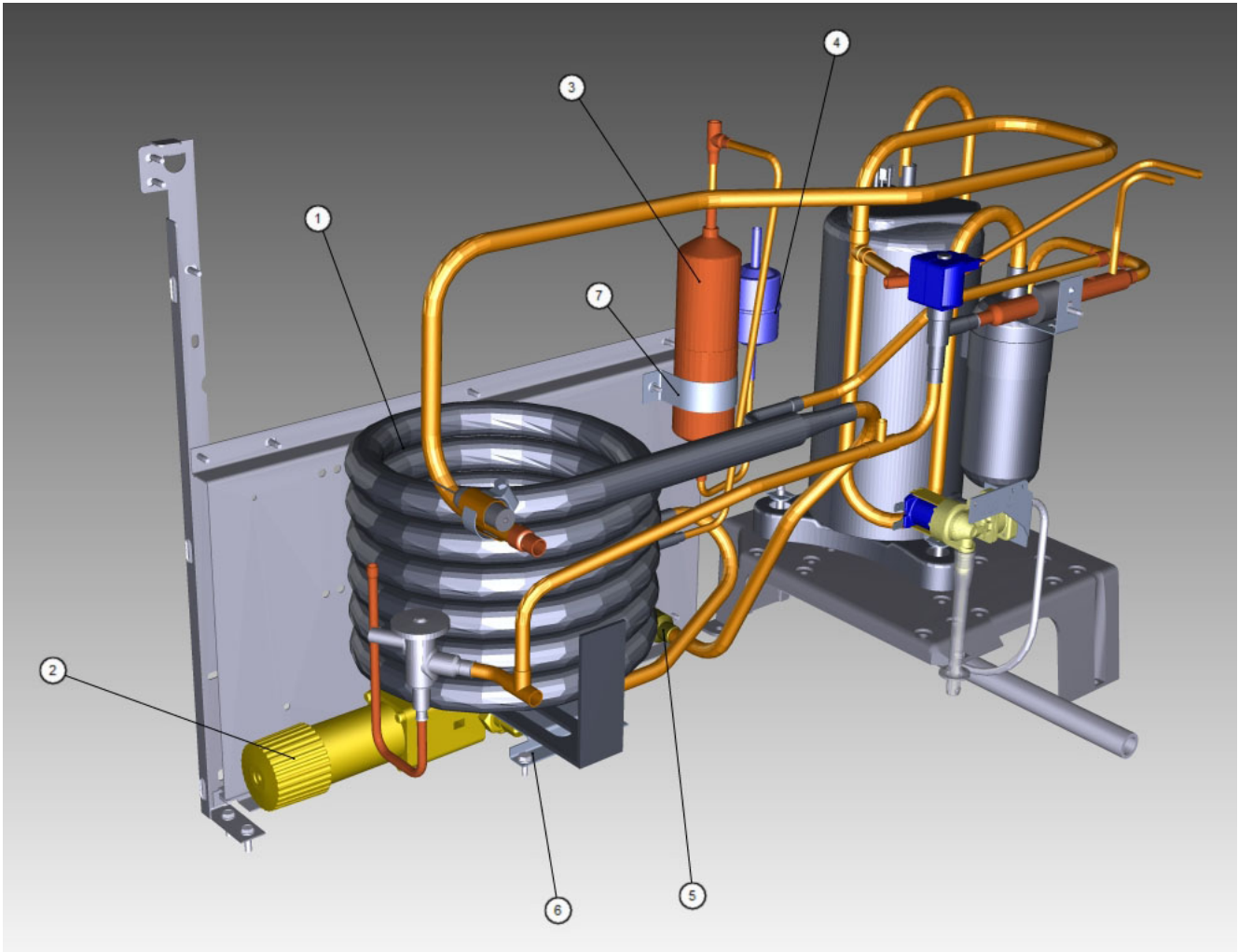
Parts

K1000 Air-cooled



K1000

K1000 Water-cooled Compartment



Parts

K1000 Water-cooled

K1000

K1000 Water-cooled Compartment

#	PART #	DESCRIPTION	QTY	Note
1	000001507	Water-cooled Condenser		
2	000010620	Water Regulating Valve		
3	000008893	Receiver		
4	8930259	Drier		
5	8706083	Female Wing Adapter - 0.50"		
6	000010604	Receiver Mounting BaseWater Condenser Mounting		
7	6000541	Receiver Strap		
8	5002249	Elbow - 0.5" MF x 0.375" MPT		
9	5202069	Screw - #10-24 x 0.50" HEX		
10	5573419	Washer		
11	5003883	Flare Nut - 0.50"		

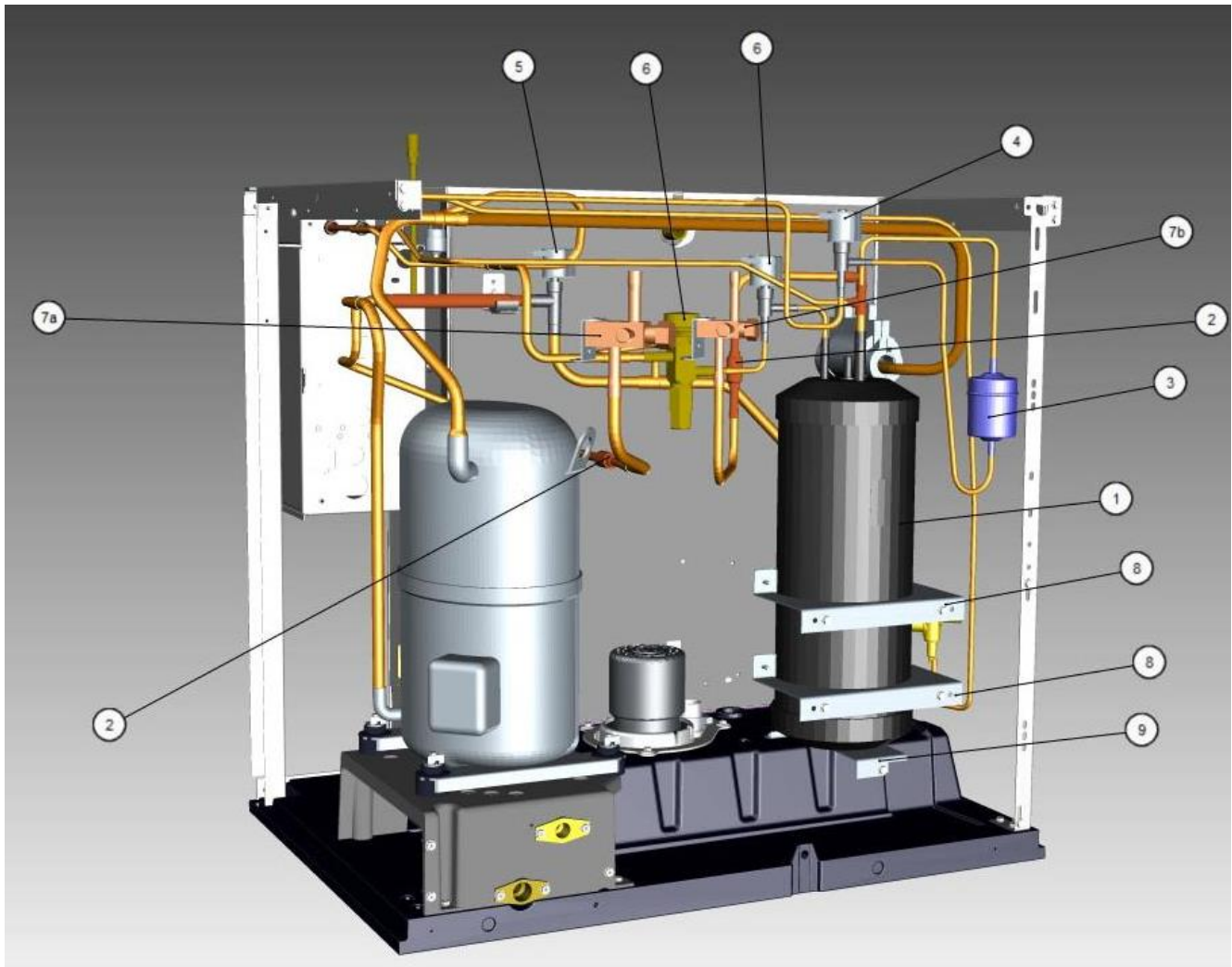
Parts

K1000 Water-cooled



K1000

K1000 Remote Compartment



Parts

K1000 Remote

K1000

K1000 Remote Compartment

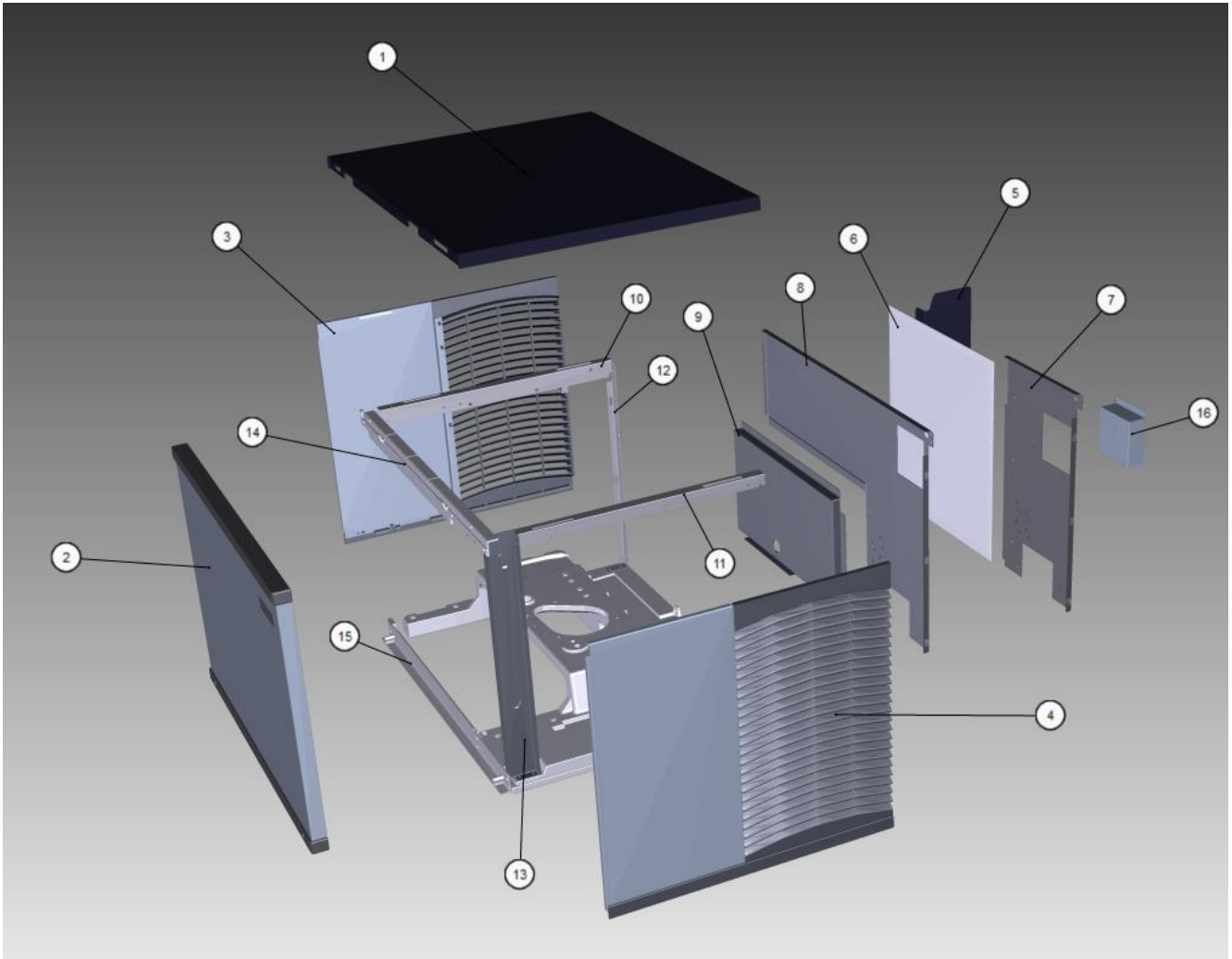
#	PART #	DESCRIPTION	QTY	Note
1	7629573	Receiver		
2	8373149	Magni-Check Valve - 0.375"		
3	8930249	Drier		
4		Liquid Line Solenoid Valve		
4a	000007034	Solenoid Valve Including - 208-230V/50-60 Hz Electrical Coil		[1]
4b	000005157	Danfoss Solenoid Valve Coil Only - 230V/50-60 Hz		[2]
5		Harvest Valve		
5a	000007015	Solenoid Valve Including - 208-230V/50-60 Hz Electrical Coil		[3]
6	000008869	Harvest Pressure Regulating (HPR) Valve		
7		Manual Shut-off Valve		
7a	8373273	Manual Shut-off Valve - 0.5"		
7b	8373293	Manual Shut-off Valve - 0.375"		
7c	5650753	Caps for Refrigeration Service Valve		
7d	6049331	Bracket - Valve		
8	000010915	Receiver Mounting Bracket		
9	000010604	Receiver Mounting BaseReceiver Mounting		
10	5202069	Screw - #10-24 x 0.50" HEX		

PART NOTES:

- [1] - 1/4 x 1/4
- [2] - \pages from 000005156_02.jpg" width=266 height=183>
- [3] - 1/2 x 1/2

K1000

K1000 Panels



Parts

K1000 Panels

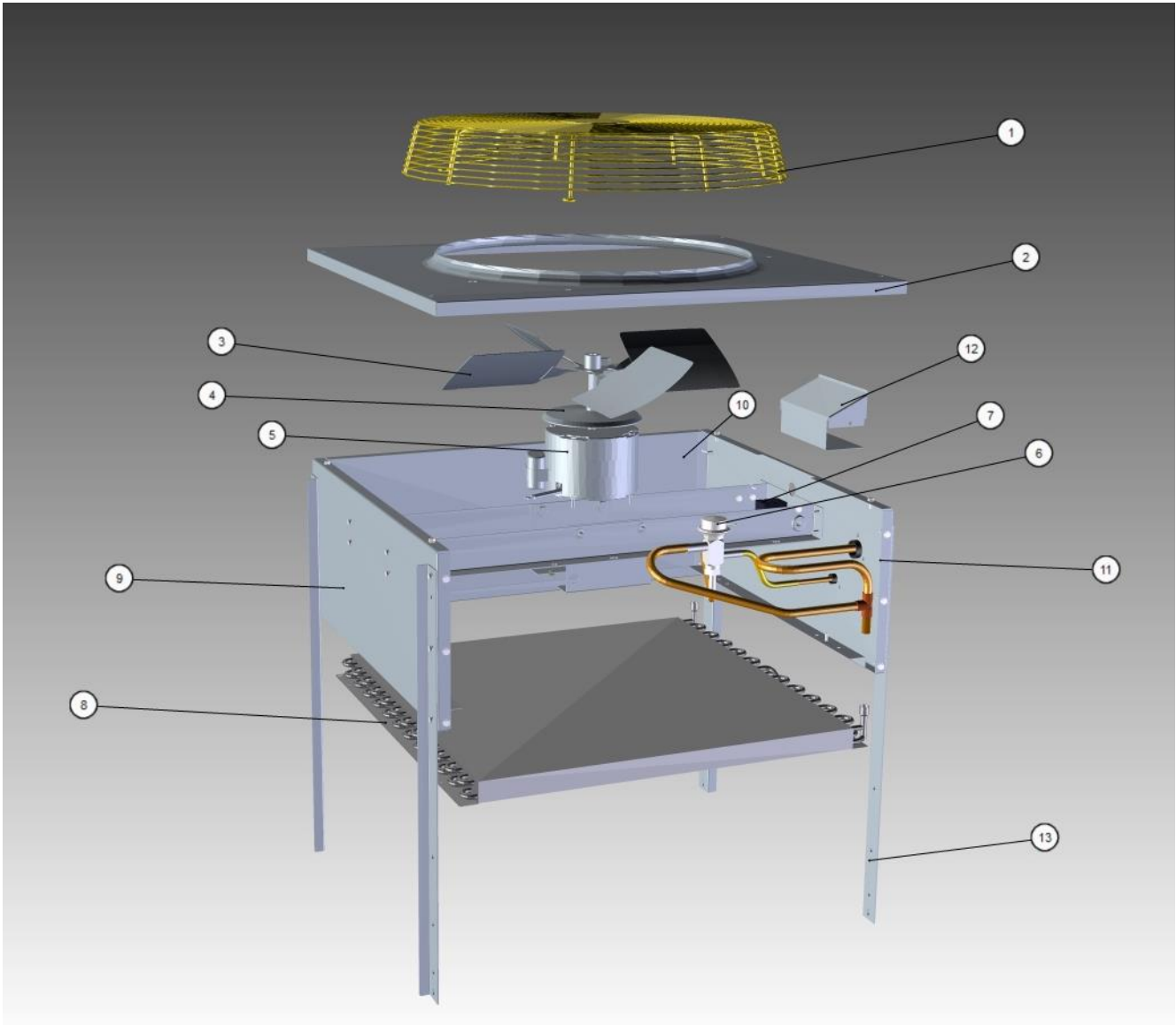
K1000

K1000 Panels

#	PART #	DESCRIPTION	QTY	Note
1	000010523	Top Cover		
2	000012466	Front Panel		
3	000011597	Left Side Panel		
4	000011598	Right Side Panel		
5	000007678	Air Baffle Assembly		
6	3005559	Air Filter		
7	000010726	Back Panel - Air-cooled		
8	000011150	Back Panel - Water-cooled		
8a	000011148	Back Panel - Large - Remote		
8b	000011737	Back Panel - Small - Remote		
9	000010603	Back Coupling Panel - Water-cooled/Remote		
10	6068649	Left Top Channel		
11	000011322	Right Top Channel		
12	000011504	Left Corner Post		
13	000011335	Right Top Channel		
14	000010269	Front Top Support		
15	000010268	Bottom Door Frame		
16	6067289	Rear Connection Box		
16a	6067299	Cover - Rear Connection Box		
17	000011147	Shut-off Valve Panel - Left		
17a	000011149	Shut-off Valve Panel - Right		
18	2006143	Terminal Block - 50 Hz - 3 Pole		
19	000012438	Cartoning		

K1000

KC1000 Remote Condenser



Parts

kc1000

K1000

KC1000 Remote Condenser

#	PART #	DESCRIPTION	QTY	Note
1	3400643	Fan Guard		
2	6017751	Top Cover		
3	2416113	Fan Blade		
4	2415053	Rain Slinger		
5	7629413	Fan Motor - 208-230V/50-60 Hz/1 Ph		
5a	000010947	Fan Motor Mounting Bracket - Support		
5b	6017681	Fan Motor Mounting Bracket		
6	000008870	Head Pressure Control Valve		
7	000008040	Terminal Block - 3 Pole		
8	8850629	Air Condenser		
9	000000607	Panel - Front		
10	000000609	Panel - Side		
11	000000608	Panel - Rear		
12	6017761	Electrical Box Cover		
13	000000718	Legs		
14	5035659	Fan Motor Mounting Screw		
14a	5573099	Mounting - Flatwasher		
14b	5573139	Mounting - Lockwasher		
14c	5429759	Mounting - Hexnut		
15	5033459	Screw - 0.25"-20 x 0.625"		
15a	5573049	FlatwasherMounting -		
15b	5545119	Mounting - Lockwasher		
15c	5429529	Mounting - Hexnut		
16	5202069	Screw - #10-24 x 0.50" HEX		
17	7108369	Cartoning		

Parts

kc1000

