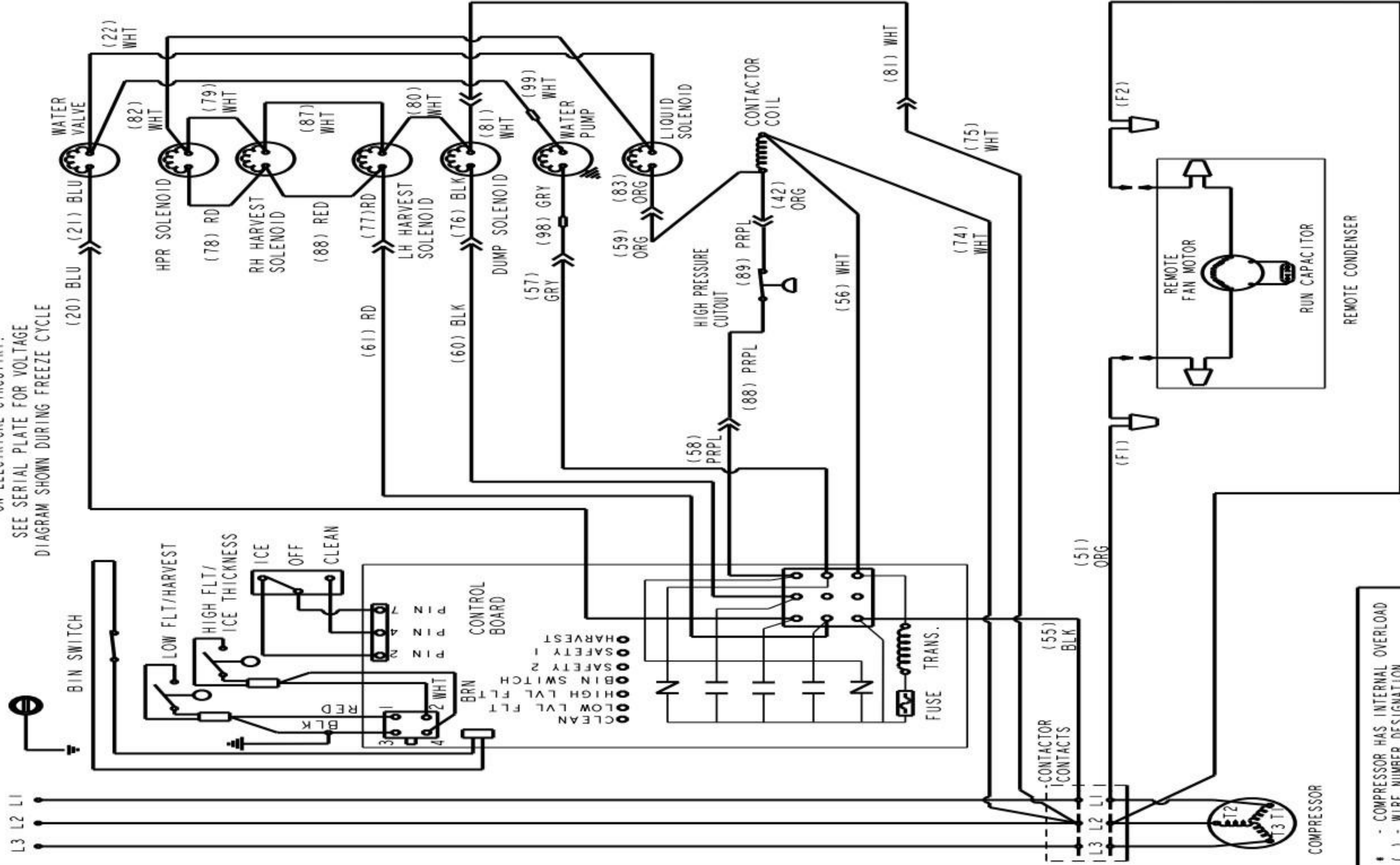


K1350/K1800 ICE MACHINES REMOTE 3 PHASE  
 CAUTION: DISCONNECT POWER BEFORE WORKING  
 ON ELECTRICAL CIRCUITRY.

SEE SERIAL PLATE FOR VOLTAGE  
 DIAGRAM SHOWN DURING FREEZE CYCLE

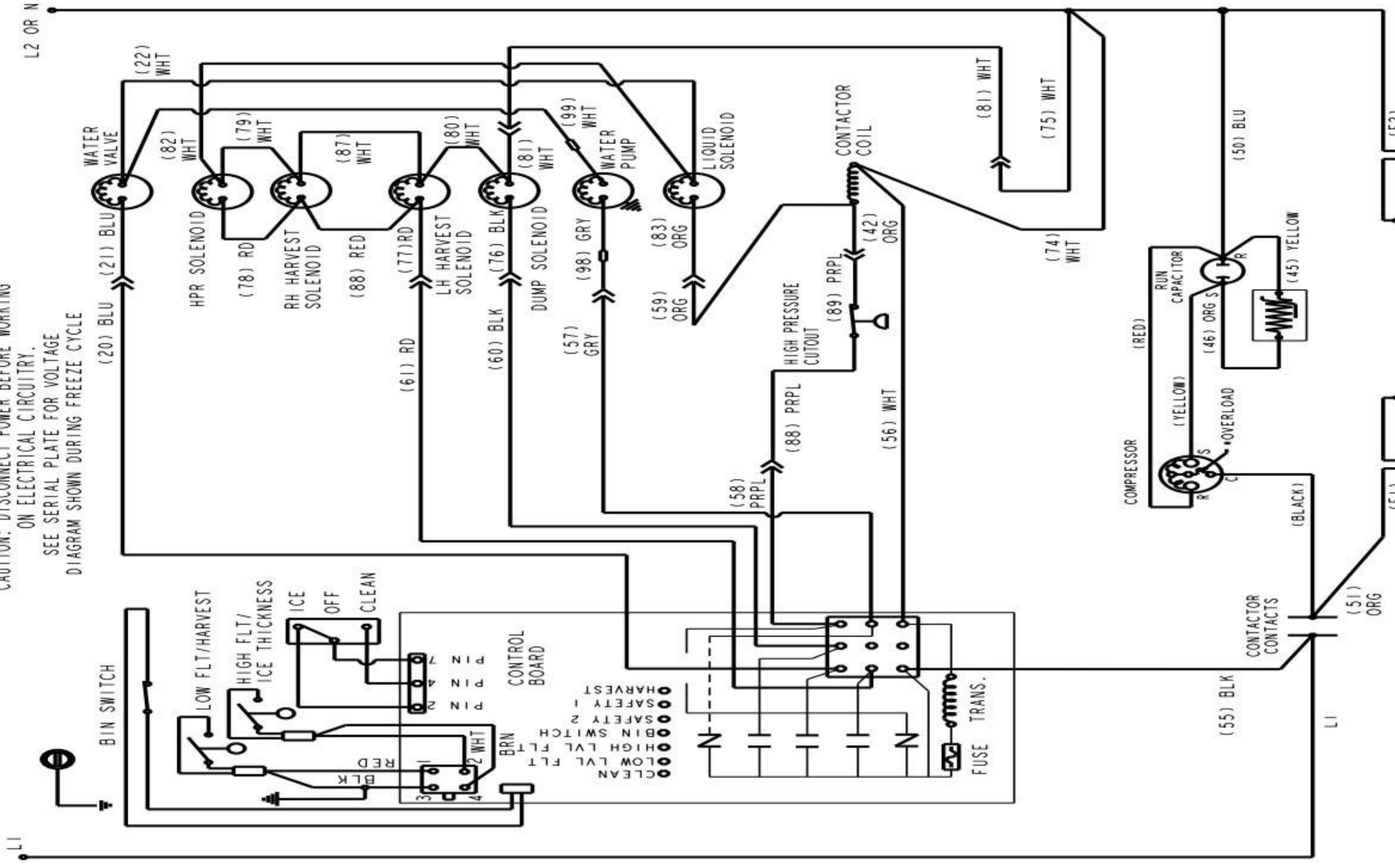


- \* - COMPRESSOR HAS INTERNAL OVERLOAD
- ( ) - WIRE NUMBER DESIGNATION (# IS MARKED AT EACH END OF WIRE)
- \*\* - SOME AIR COOLED MODELS MAY NOT HAVE RUN CAPACITOR ON FAN MOTOR
- - BULKHEAD MULTIPIN CONNECTOR

ELECTRICAL BOX SIDE ➤ COMPRESSOR COMPARTMENT SIDE

K1350/K1800 ICE MACHINES REMOTE 1 PHASE  
 CAUTION: DISCONNECT POWER BEFORE WORKING  
 ON ELECTRICAL CIRCUITRY.

SEE SERIAL PLATE FOR VOLTAGE  
 DIAGRAM SHOWN DURING FREEZE CYCLE

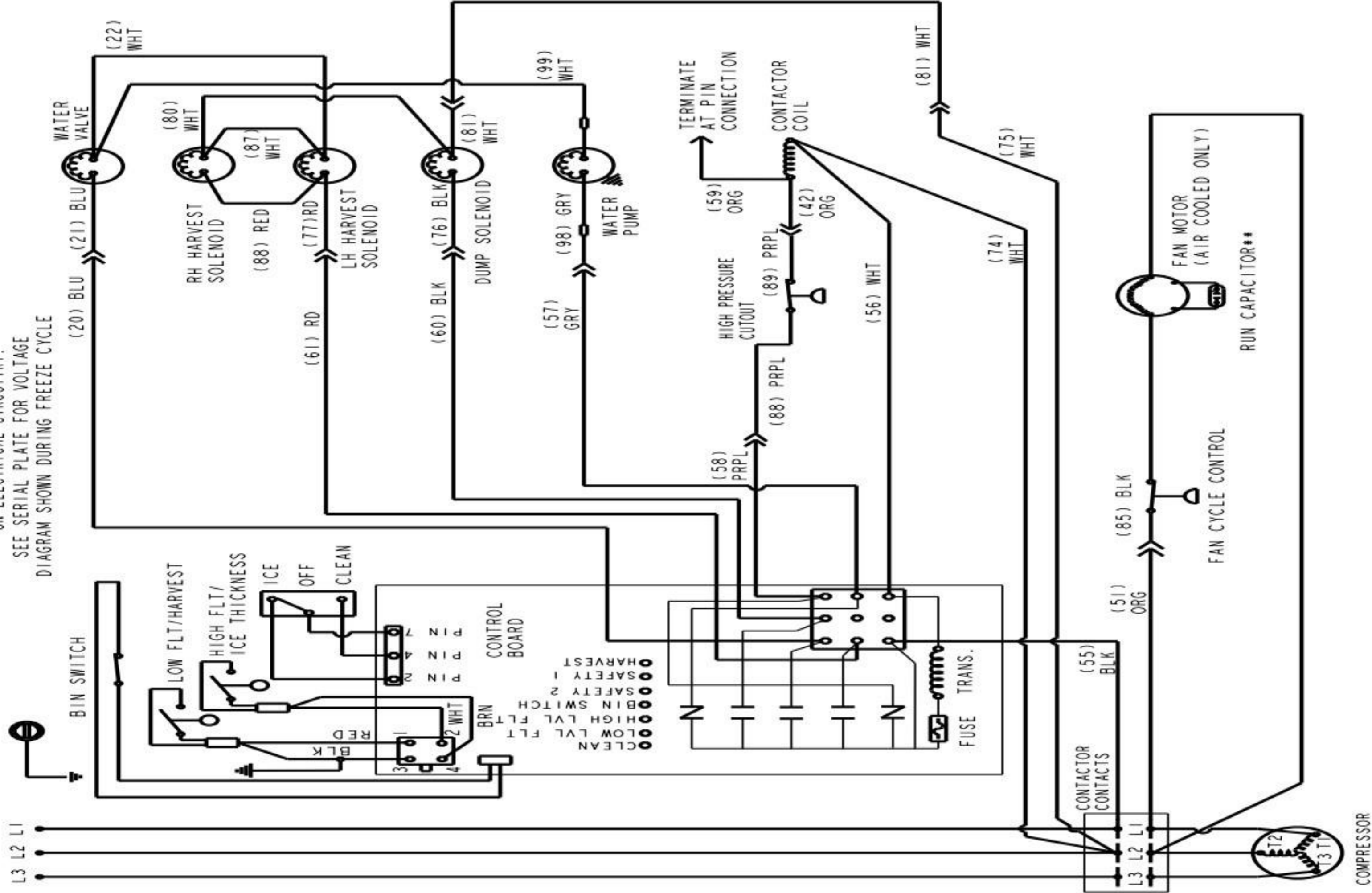


- \* - COMPRESSOR HAS INTERNAL OVERLOAD
- ( ) - WIRE NUMBER DESIGNATION (# IS MARKED AT EACH END OF WIRE)
- \*\* - SOME AIR COOLED MODELS MAY NOT HAVE RUN CAPACITOR ON FAN MOTOR
- ⤴ - BULKHEAD MULTIPIN CONNECTOR
- ELECTRICAL BOX SIDE
- COMPRESSOR COMPARTMENT SIDE

K1350/K1800 ICE MACHINES AIR AND WATER 3 PHASE

CAUTION: DISCONNECT POWER BEFORE WORKING ON ELECTRICAL CIRCUITRY.

SEE SERIAL PLATE FOR VOLTAGE DIAGRAM SHOWN DURING FREEZE CYCLE



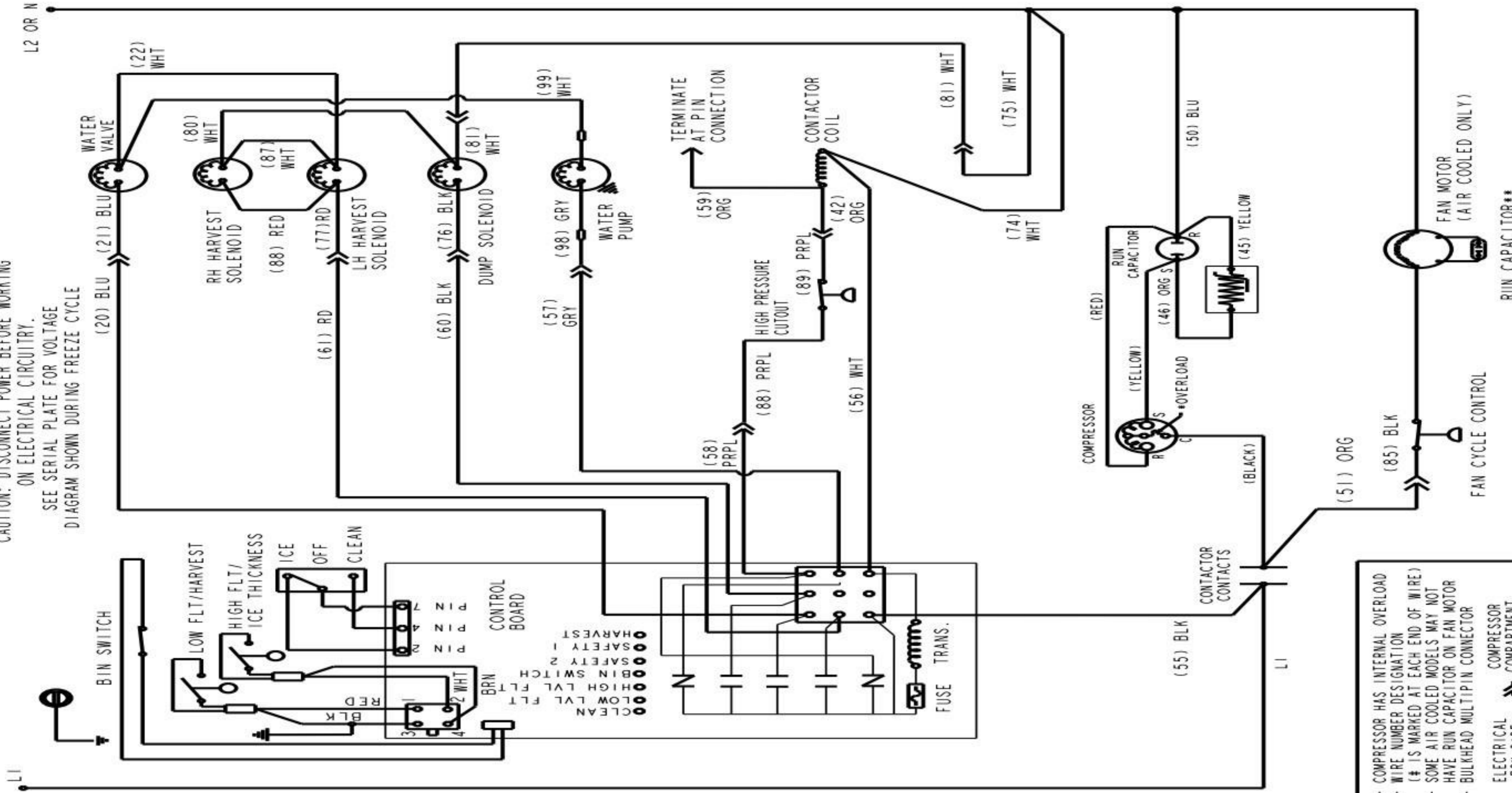
- \* - COMPRESSOR HAS INTERNAL OVERLOAD
- ( ) - WIRE NUMBER DESIGNATION (# IS MARKED AT EACH END OF WIRE)
- \*\* - SOME AIR COOLED MODELS MAY NOT HAVE RUN CAPACITOR ON FAN MOTOR
- ⤴ - BULKHEAD MULTIPIN CONNECTOR

ELECTRICAL BOX SIDE  
 COMPRESSOR COMPARTMENT SIDE

K1350/K1800 ICE MACHINES AIR AND WATER I PHASE

CAUTION: DISCONNECT POWER BEFORE WORKING  
ON ELECTRICAL CIRCUITRY.

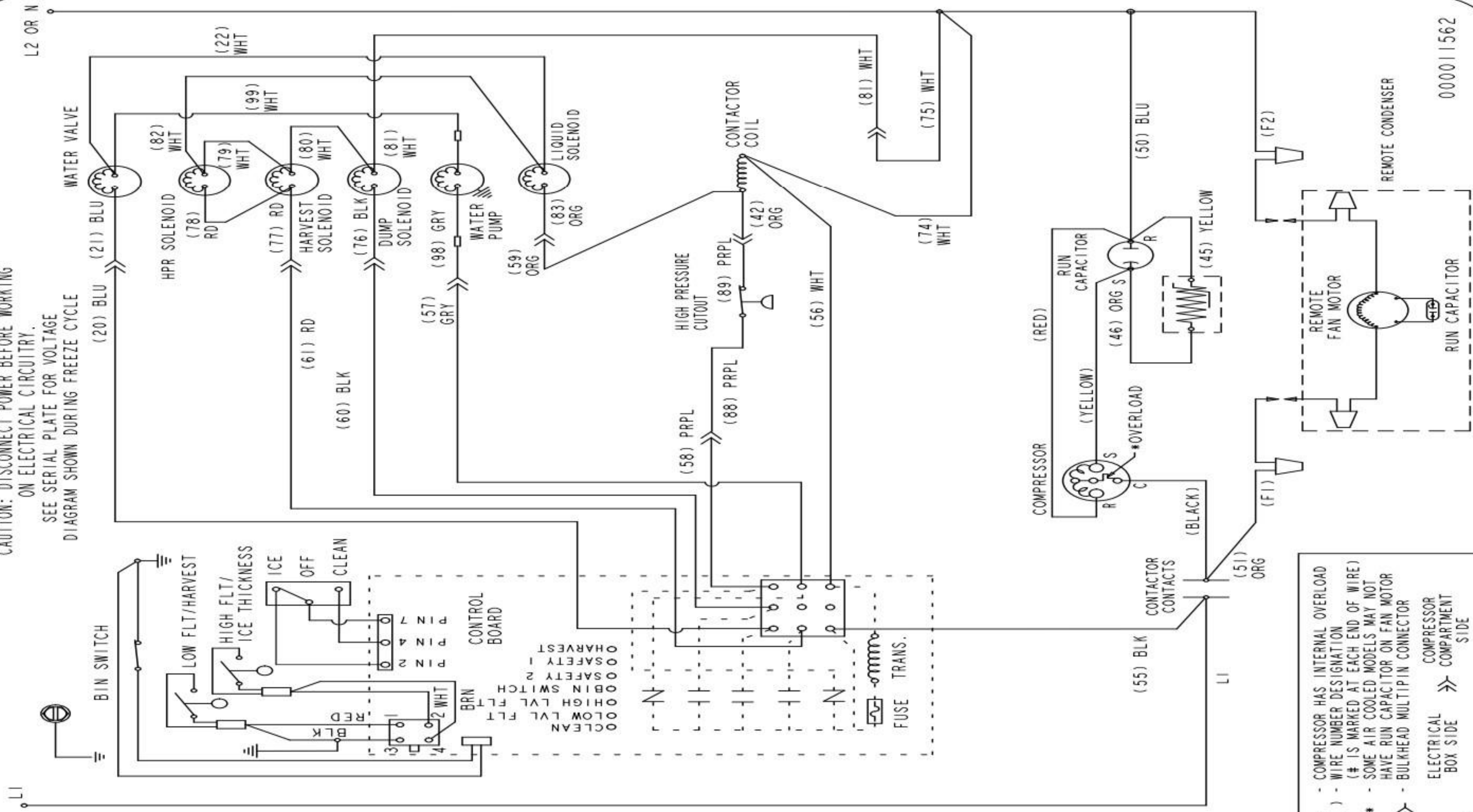
SEE SERIAL PLATE FOR VOLTAGE  
DIAGRAM SHOWN DURING FREEZE CYCLE



- \* - COMPRESSOR HAS INTERNAL OVERLOAD
  - ( ) - WIRE NUMBER DESIGNATION (# IS MARKED AT EACH END OF WIRE)
  - \*\* - SOME AIR COOLED MODELS MAY NOT HAVE RUN CAPACITOR ON FAN MOTOR
  - - BULKHEAD MULTIPIN CONNECTOR
- ELECTRICAL BOX SIDE      COMPRESSOR COMPARTMENT SIDE

**K-ICE MACHINES REMOTE 1 PHASE**  
**CAUTION: DISCONNECT POWER BEFORE WORKING**  
**ON ELECTRICAL CIRCUITRY.**

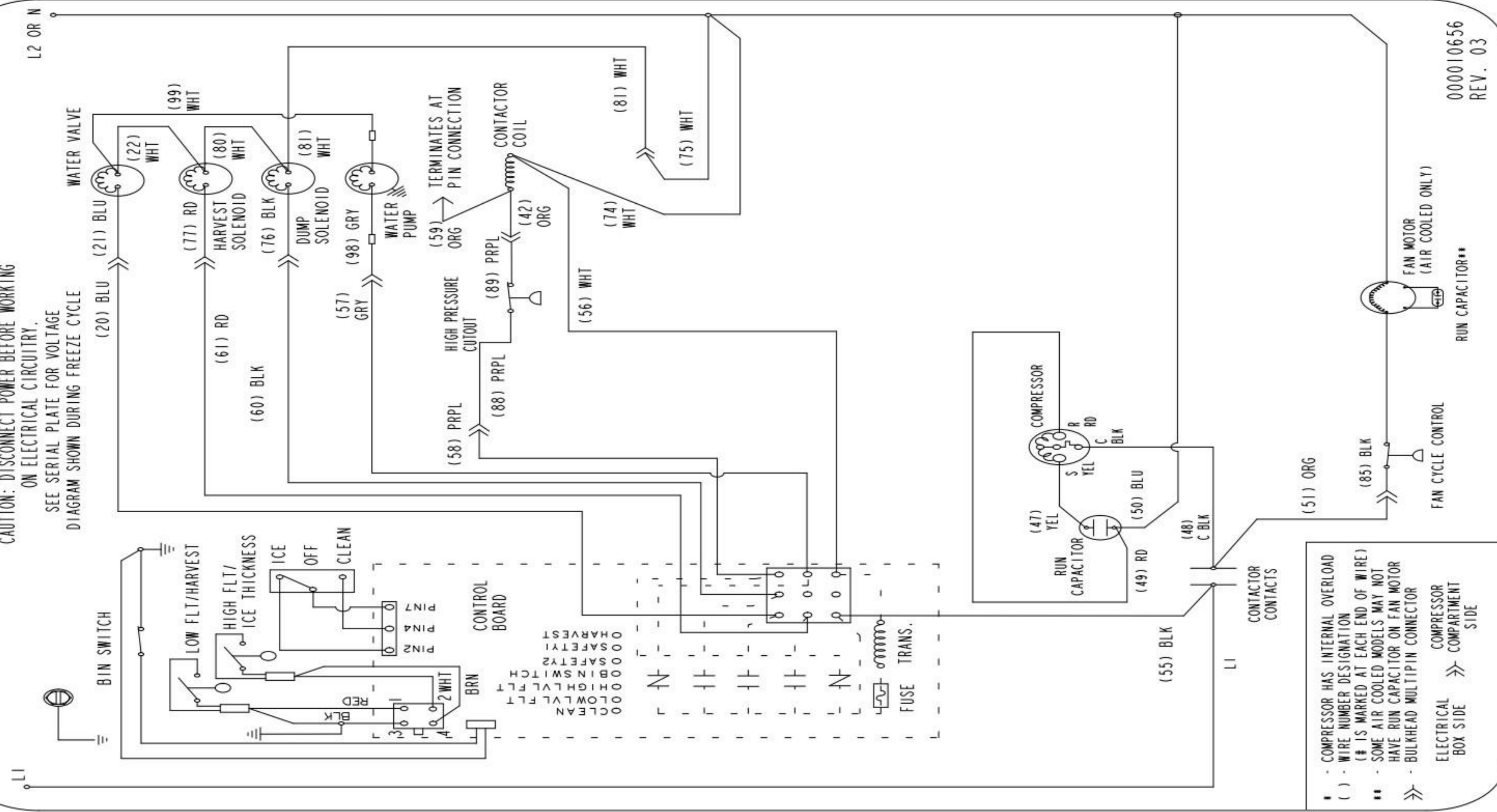
SEE SERIAL PLATE FOR VOLTAGE  
 DIAGRAM SHOWN DURING FREEZE CYCLE



- \* - COMPRESSOR HAS INTERNAL OVERLOAD
  - ( ) - WIRE NUMBER DESIGNATION (# IS MARKED AT EACH END OF WIRE)
  - \*\* - SOME AIR COOLED MODELS MAY NOT HAVE RUN CAPACITOR ON FAN MOTOR
  - - BULKHEAD MULTIPIN CONNECTOR
- ELECTRICAL BOX SIDE ➤ COMPRESSOR COMPARTMENT SIDE

K-ICE MACHINES SELF-CONTAINED 1 PHASE  
 CAUTION: DISCONNECT POWER BEFORE WORKING  
 ON ELECTRICAL CIRCUITRY.

SEE SERIAL PLATE FOR VOLTAGE  
 DIAGRAM SHOWN DURING FREEZE CYCLE



- - COMPRESSOR HAS INTERNAL OVERLOAD
- ( ) - WIRE NUMBER DESIGNATION (# IS MARKED AT EACH END OF WIRE)
- \*\* - SOME AIR COOLED MODELS MAY NOT HAVE RUN CAPACITOR ON FAN MOTOR
- ⋈ - BULKHEAD MULTIPIN CONNECTOR
- ELECTRICAL BOX SIDE ⋈ COMPRESSOR COMPARTMENT SIDE