



Manitowoc
Foodservice
Parts Manual

For more Parts Information:

<https://manitowocfsg.sysonline.com/Default.aspx>

TABLE OF CONTENTS

Manitowoc Foodservice [Updated: Sep. 30, 2013]

Manitowoc - Ice & Related

Parts Catalog

Ice Machine

Q Series

Q Model - QuietQube

Q0600C, CVD0675

Q0600C - Control Box Components 1

Q0600C - Evaporator Compartment - Common Components 3

Q0600C - Refrigeration Compartment - Common Components 5

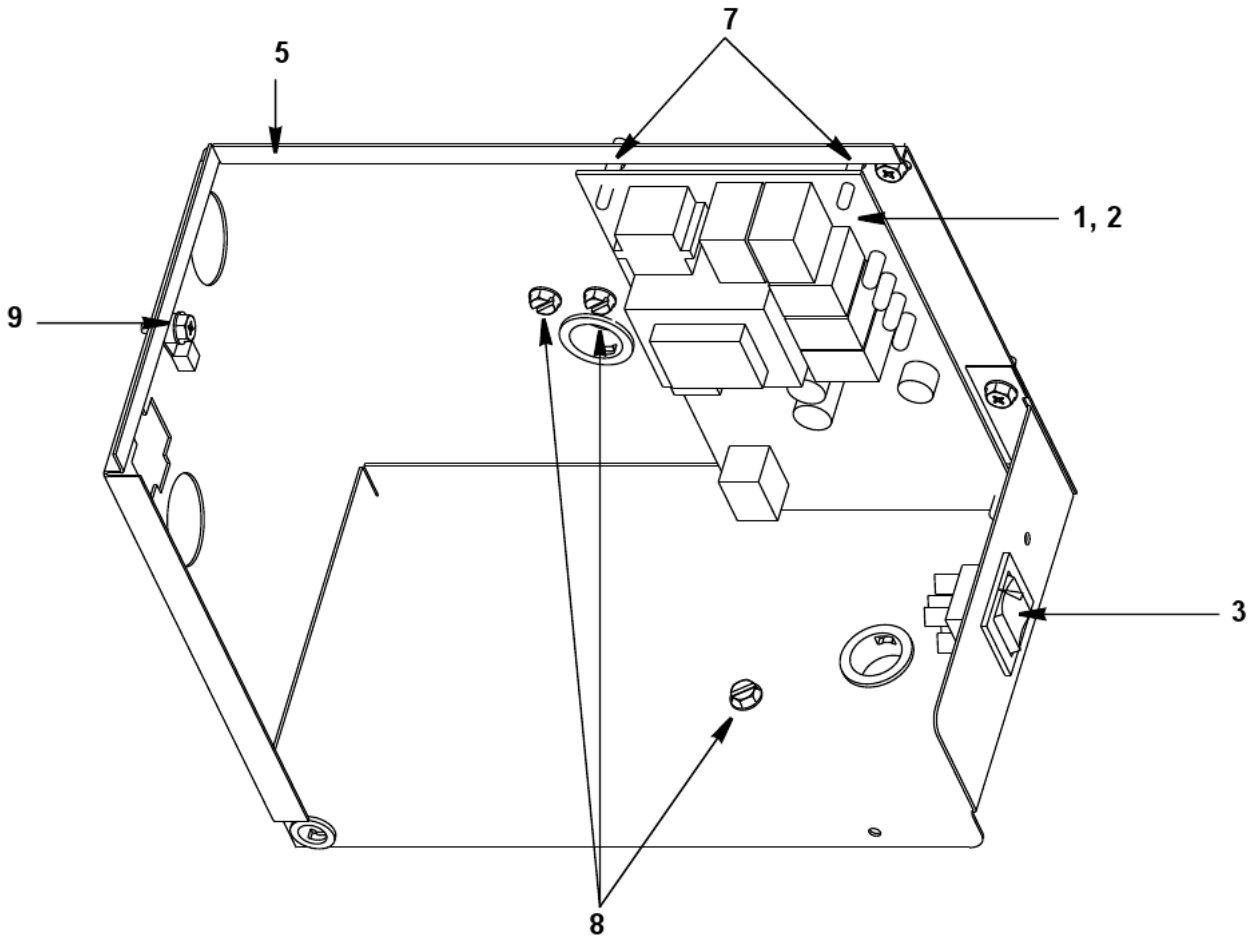
Q0600C - Head Section - Panels 8

CVD0675 - Condensing Unit 10

CVD0675 - Condensing Unit - Panels 12

Q0600C, CVD0675

Q0600C - CONTROL BOX COMPONENTS

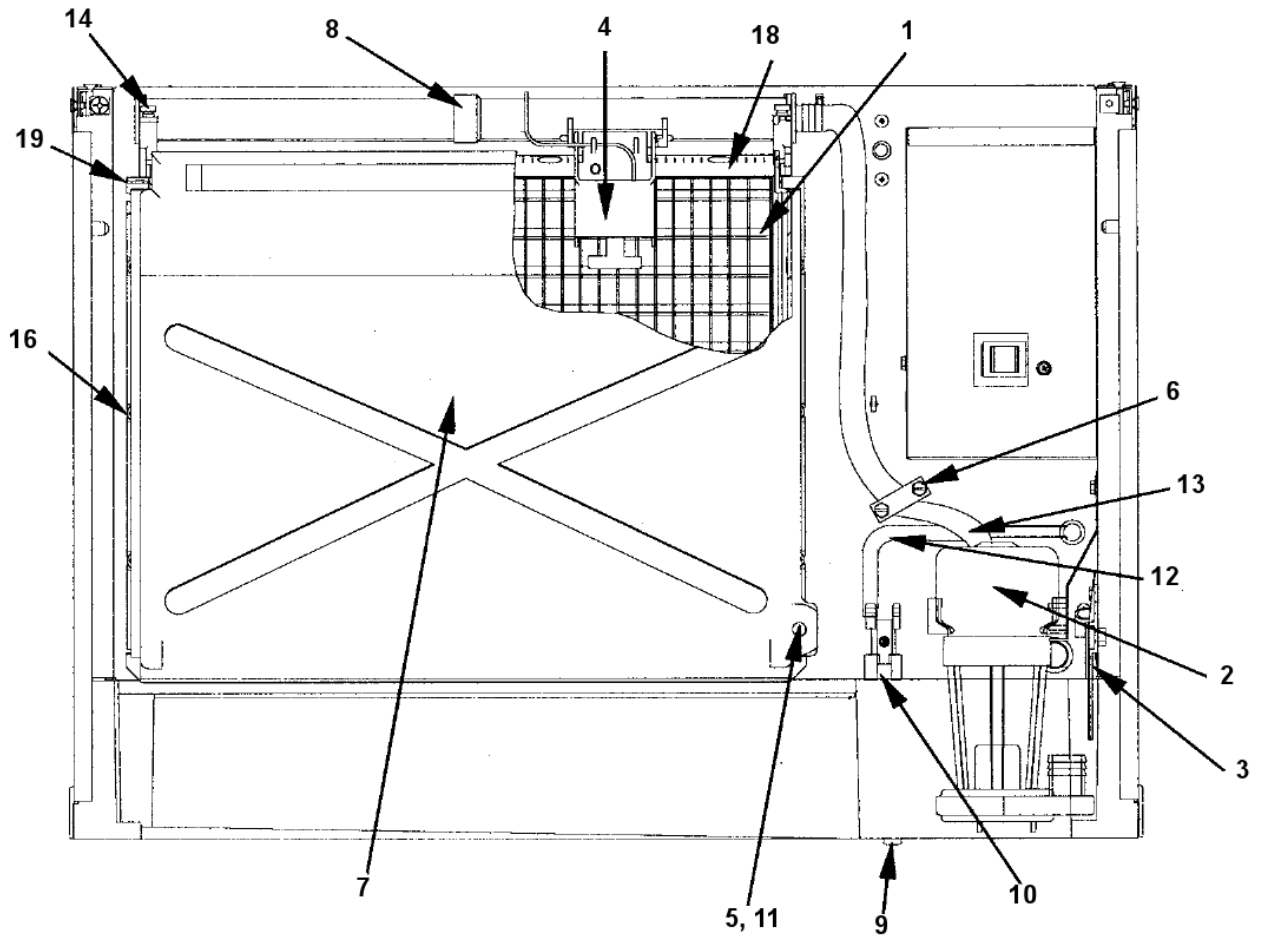


Q0600C, CVD0675

Q0600C - CONTROL BOX COMPONENTS

#	PART #	DESCRIPTION	QTY	Note
1	7627823	Control Board		
2	2511003	7 Amp Fuse - Mounted on Control Board		
3	2301343	Toggle Switch Only		
3a	2032173	Toggle Switch with Wiring Harness Attached		
4		Wiring Harness		
4a	2033063	Wiring Harness - 115V/60 Hz/1 Ph		
4b	2033193	Wiring Harness - 230V/50 Hz/1 Ph		
5	6025593	Control Box		
6	7628523	Control Box Cover		
7	4302253	Control Board Mounting Supports		
8	5202169	Screw - #10-24 x 0.50" Ground		
9	5202069	Screw - #10-24 x 0.50" HEX		

Q0600C - EVAPORATOR COMPARTMENT - COMMON COMPONENTS



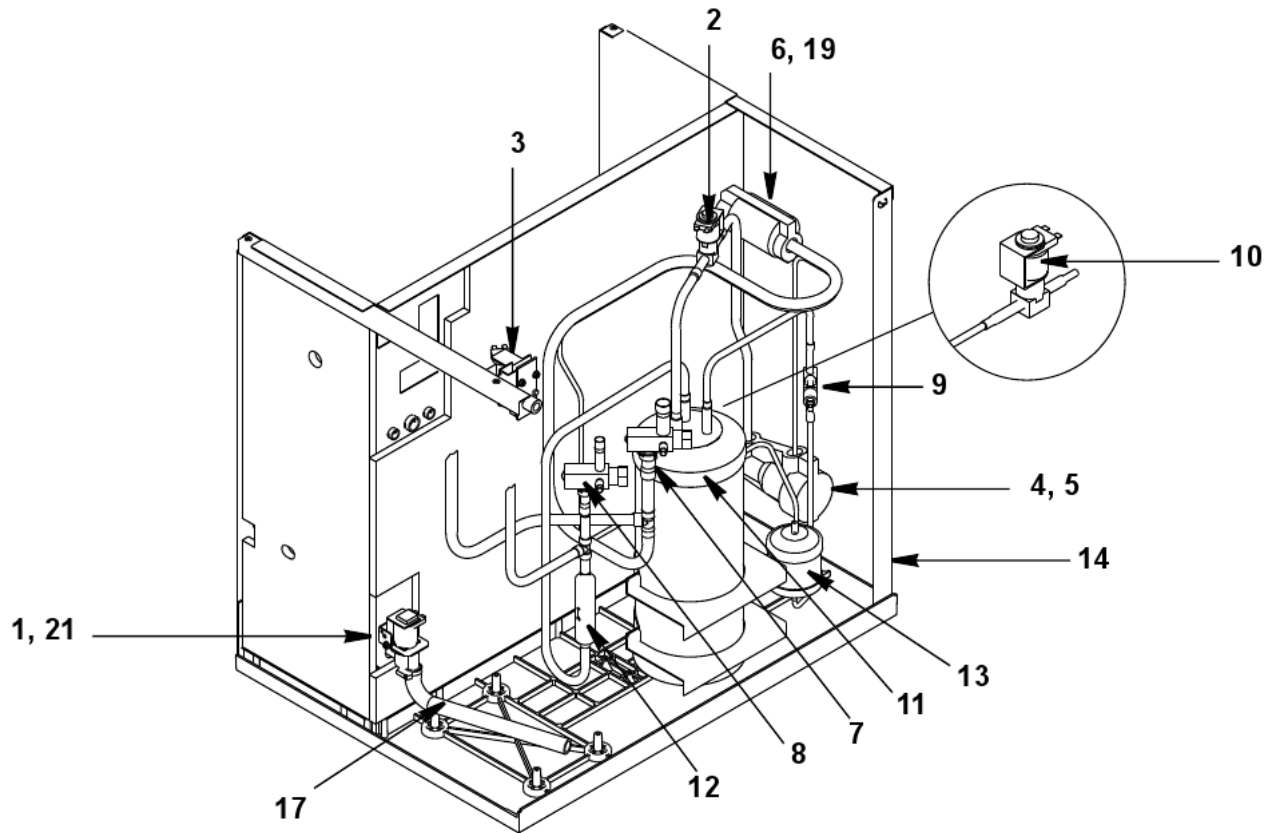
Q0600C, CVD0675

Q0600C - EVAPORATOR COMPARTMENT - COMMON COMPONENTS

#	PART #	DESCRIPTION	QTY	Note
1		Evaporator Assembly		
1a	7625129	Evaporator - Regular Cube		
1b	7625119	Evaporator - Dice Cube		
1c	7625109	Evaporator - Half Dice Cube		
2		Water Pump		
2a	7623063	Water Pump - 115V/60 Hz		
2b	7626013	Water Pump - 230V/50-60 Hz		
3	2511293	Water Level Probe		
4	7627813	Ice Thickness Control Probe		
5	2301483	Magnetic Bin Switch		
6	7620543	Water Flow Clamp - Use on Regular Cube Evap. Only		
7	4304643	Water Curtain		
8	7624983	Water Distribution Tube - B/J/Q		
9	4300629	Water Trough Plug		
10	4303883	Water Inlet Flow Tube		
11	7628023	Water Curtain Magnet and Cap		
12	4421113	Water Inlet Tubing 0.375 ID		
13	4421093	Tubing		
14	5000013	Thumbscrew - #8-32 x 0.375"		
15	5202069	Screw - #10-24 x 0.50" HEX		
16	5202189	Screw - #10-24 x 0.75"		
17	7628063	Base and Water Trough Repair Kit		
18	7626213	Evaporator Top Molding and Gasket Assembly		
19	7627763	Water Curtain Pin Assembly		

Q0600C, CVD0675

Q0600C - REFRIGERATION COMPARTMENT - COMMON COMPONENTS



Q0600C, CVD0675

Q0600C - REFRIGERATION COMPARTMENT - COMMON COMPONENTS

#	PART #	DESCRIPTION	QTY	Note
1		Water Dump Valve		
1a	000001767	Water Dump Valve - 115V/60 Hz		
1b	000001768	Water Dump Valve - 208-230V/50-60 Hz		
2		Cool Vapor Valve		
2a	7630051	Danfoss Solenoid Valve with Coil - 115V/60 Hz		
2b	000005156	Danfoss Solenoid Valve Coil Only - 115V/60 Hz		[1]
2c	2404363	Alco Solenoid Valve Coil Only - 115V/60 Hz		
2d	7630111	Danfoss Solenoid Valve with Coil - 230V/50-60 Hz		
2e	000005157	Danfoss Solenoid Valve Coil Only - 230V/50-60 Hz		[2]
2f	2404483	Alco Solenoid Valve Coil Only - 230V/50 Hz		
3		Water Inlet Valve		
3a	000007965	Water Inlet Valve - 115V/60 Hz/1 Ph		
3b	000007966	Water Inlet Valve - 208-230V/50-60 Hz		
4	7600213	Expansion Valve		
5		Expansion Valve Body Insulation Boot		
5a	4007213	Valve Insulation Boot - Body		
5b	4000363	Valve Insulation Boot - Body		
6	4007203	Valve Insulation Boot - Bulb		[3]
7	8373303	Manual Shut-Off Valve - Suction Line		
7a	8373023	Valve Cap		
7b	4007403	Valve Insulation Boot - Body		[4]
8	8373293	Manual Shut-off Valve - Liquid Line		
8a	8373023	Valve Cap		
9	8373169	Receiver Service Valve		
9a	5650753	Caps for Refrigeration Service Valve		
10		Liquid Line Solenoid Valve		
10a	7630011	Danfoss Solenoid Valve With Coil - 115V/60 Hz		
10b	000005156	Danfoss Solenoid Valve Coil Only - 115V/60 Hz		[1]
10c	2404363	Alco Solenoid Valve Coil Only - 115V/60 Hz		
10d	7630071	Danfoss Solenoid Valve With Coil - 208-230V/50-60 Hz		
10e	000005157	Danfoss Solenoid Valve Coil Only - 230V/50-60 Hz		[2]
10f	2404483	Alco Solenoid Valve Coil Only - 230V/50 Hz		
11	7629593	Receiver		
12	8373149	Magni-Check Valve - 0.375"		
13	8930279	Drier		
14	6019511	Left Corner Post Weldment		
15	6019501	Right Corner Post Weldment		
16	8706083	Female Wing Adapter - 0.50"		
17	4420383	Clear Tubing - 0.625" ID		
18	5650709	Snap Clamp - 0.799"/0.899" ID		
19	5650529	Clamp - Expansion Valve Bulb		
20	5202069	Screw - #10-24 x 0.50" HEX		[5]

Q0600C, CVD0675

Q0600C - REFRIGERATION COMPARTMENT - COMMON COMPONENTS

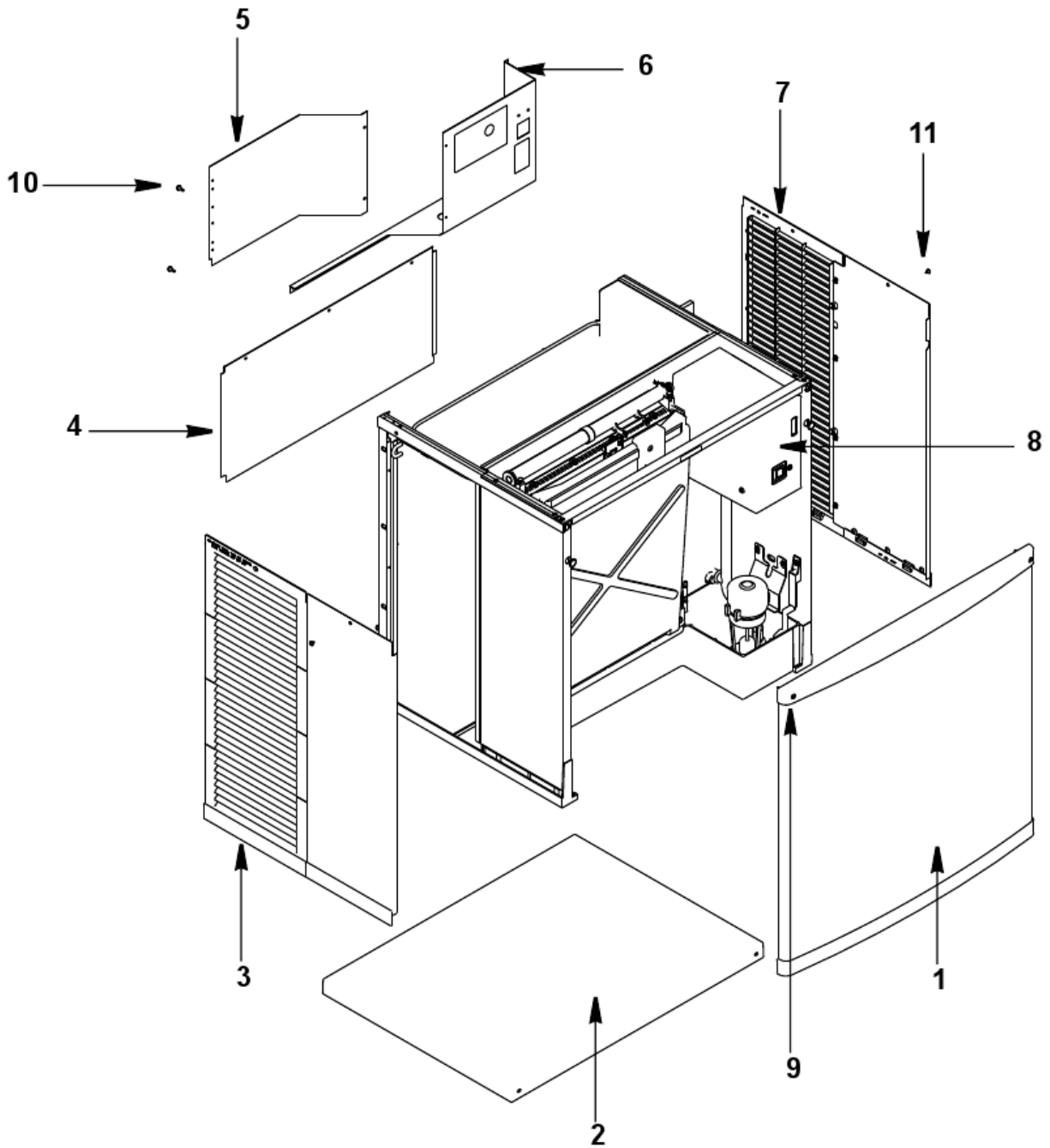
#	PART #	DESCRIPTION	QTY	Note
---	--------	-------------	-----	------

PART NOTES:

- [1] - \pages from 000005156_02.jpg" width=280 height=256>
- [2] - \pages from 000005156_02.jpg" width=266 height=183>
- [3] - \pages from 400720_08.jpg" width=923 height=583>
- [4] - \pages from 400740_02.jpg" width=362 height=281>
- [5] - Used on Female Wing Adapter

Q0600C, CVD0675

Q0600C - HEAD SECTION - PANELS



Q0600C, CVD0675

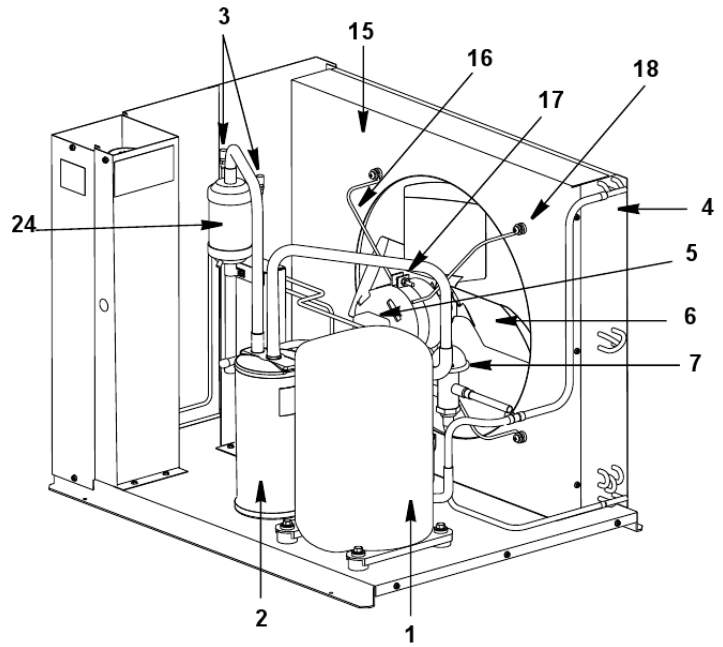
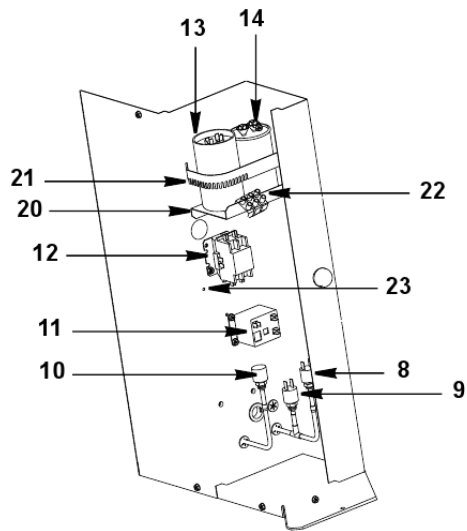
Q0600C - HEAD SECTION - PANELS

#	PART #	DESCRIPTION	QTY	Note
1	7628533	Front Panel Assembly		
2	4303313	Top Cover		
3	7628303	Left Side Panel		
4	6038161	Back Panel		
5	6039971	Service Valve Back Panel		
6	6039951	Service Valve Panel		
7	7628313	Right Side Panel		
8	7628523	Control Box Cover		
9	5119019	Screw - #8 x 1.75"		
9a	5573389	Washer - Nylon 0.171" x 0.38"		
9b	5648279	Screw Retainer - Nylon #8		
9c	5473039	Speed Nut Assembly to Mount Front Cover		
10	5202069	Screw - #10-24 x 0.50" HEX		
11	5023509	Screw, #10-24 x 0.375 Phillips		[1]

PART NOTES:

[1] - Discontinued

CVD0675 - CONDENSING UNIT



Q0600C, CVD0675

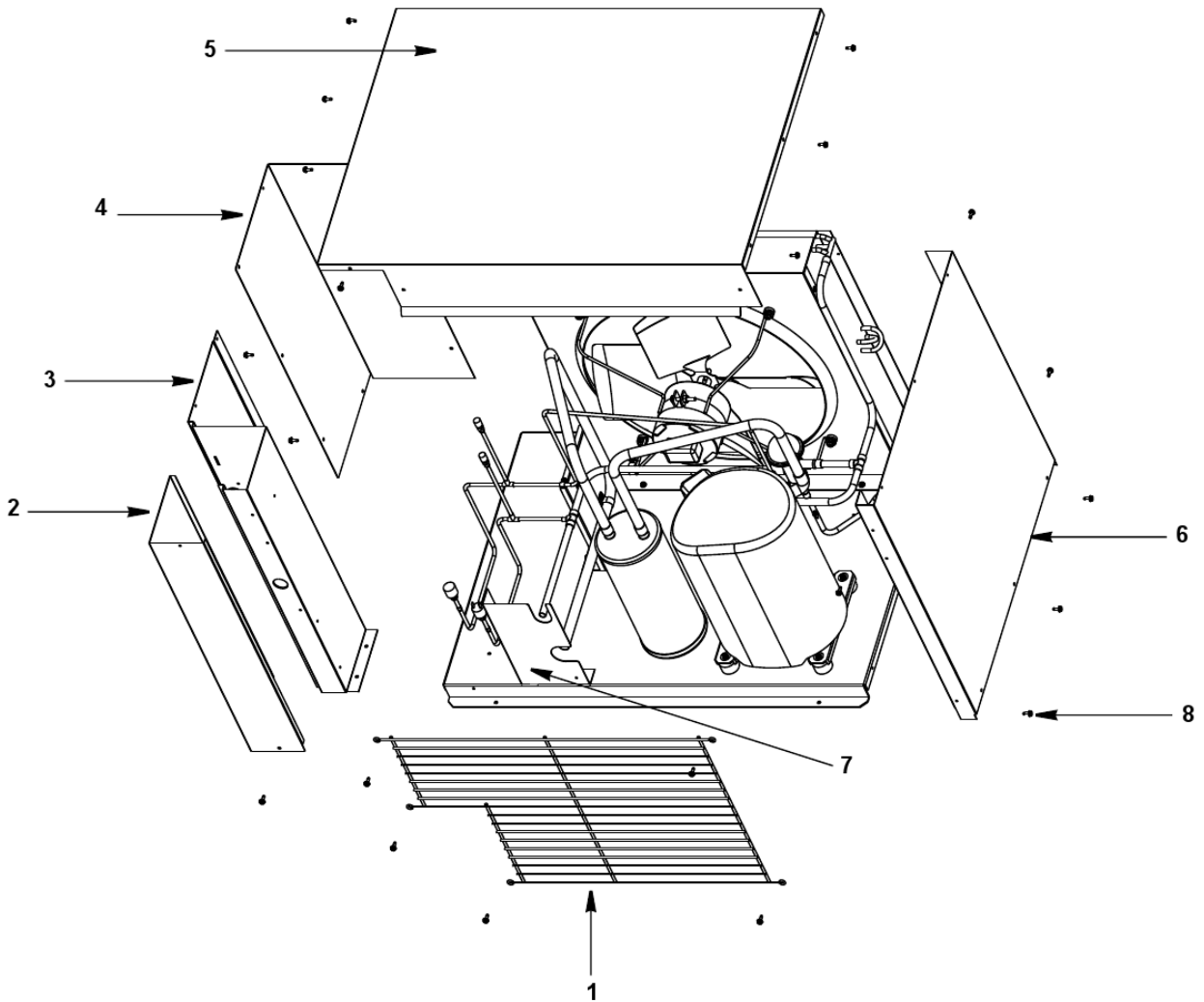
CVD0675 - CONDENSING UNIT

#	PART #	DESCRIPTION	QTY	Note
1		Compressor		
1a	7600053	Compressor - Copeland - 208-230V/50-60 Hz/1 Ph		
1b	7600063	Compressor - Copeland - 208-230V/60 Hz/3 Ph		
1c	7600073	Compressor - Copeland - 208-230V/50 Hz/1 Ph		
2	000007280	Suction Accumulator		
3	8373253	Access Valve		
4	8851443	Air-cooled Condenser		
5		Fan Motor		
5a	2000189	Fan Motor - 208-230V/60 Hz/1-3 Ph		
5b	2000589	Fan Motor - 230-415V/50 Hz/1-3 Ph		
6	2416303	Fan Blade		
7	000004070	Head Pressure Control Valve		
8	2001263	Fan Cycling Control - 200-250 psig		[1]
9	2001243	High Pressure Cut-out Control		
10	2002229	Low Pressure Cut-out Control		
11	2007539	Start Potential Relay - 230V/50-60 Hz/1 Ph		
11a	2007549	Start Potential Relay - 50 Hz/1 Ph		
12	2006609	Contactator - 208-230V/50-60 Hz/1 Ph		
12a	2006619	Contactator - 230V/60 Hz/3 Ph		
13		Start Capacitor - See Note for Usage		
13a	000006454	Start Capacitor - 50-60 Hz/1 Ph		[2]
13b	8505513	Start Capacitor - 50-60 Hz/1 Ph		[3]
14	8503933	Run Capacitor - 115-230V/50-60 Hz/1 Ph		
15	6037041	Fan Shroud		
16	3006823	Fan Motor Mounting Bracket		
17	5033589	Mounting - Screw		
17a	5545119	Mounting - Lockwasher		
17b	5429529	Mounting - Hexnut		
18	5033589	Mounting - Screw		
18a	5545119	Mounting - Lockwasher		
18b	5573059	Mounting - Flatwasher		
18c	5429559	Mounting - Rubber Wellnut		
19	5202069	Screw - #10-24 x 0.50" HEX		
20	6034981	Capacitor Mounting Bracket		
21	6021601	Capacitor Mounting Strap		
22	2006143	Terminal Block - 50 Hz - 3 Pole		
23	5202169	Screw - #10-24 x 0.50" Ground		
24	8250539	Suction Line Filter		

PART NOTES:

- [1] - \pages from 200126_09.jpg" width=150 height=306>
- [2] - 60 Hz
- [3] - 50 Hz

CVD0675 - CONDENSING UNIT - PANELS



Q0600C, CVD0675

CVD0675 - CONDENSING UNIT - PANELS

#	PART #	DESCRIPTION	QTY	Note
1	3406893	Condenser Fan Guard		
2	6040171	Control Box Cover		
3	6037071	Control Box Panel		
4	6037051	Left Side Panel		
5	6034751	Cover Top		
6	6034701	Right Side Panel		
7	6042261	Condensing Unit Tube Shield		
8	5202069	Screw - #10-24 x 0.50" HEX		