



***Manitowoc***  
**Foodservice**  
**Parts Manual**

For more Parts Information:

<https://manitowocfsg.sysonline.com/Default.aspx>

# TABLE OF CONTENTS

Manitowoc Foodservice [Updated: Sep. 30, 2013]

Manitowoc - Ice & Related

Parts Catalog

Ice Machine

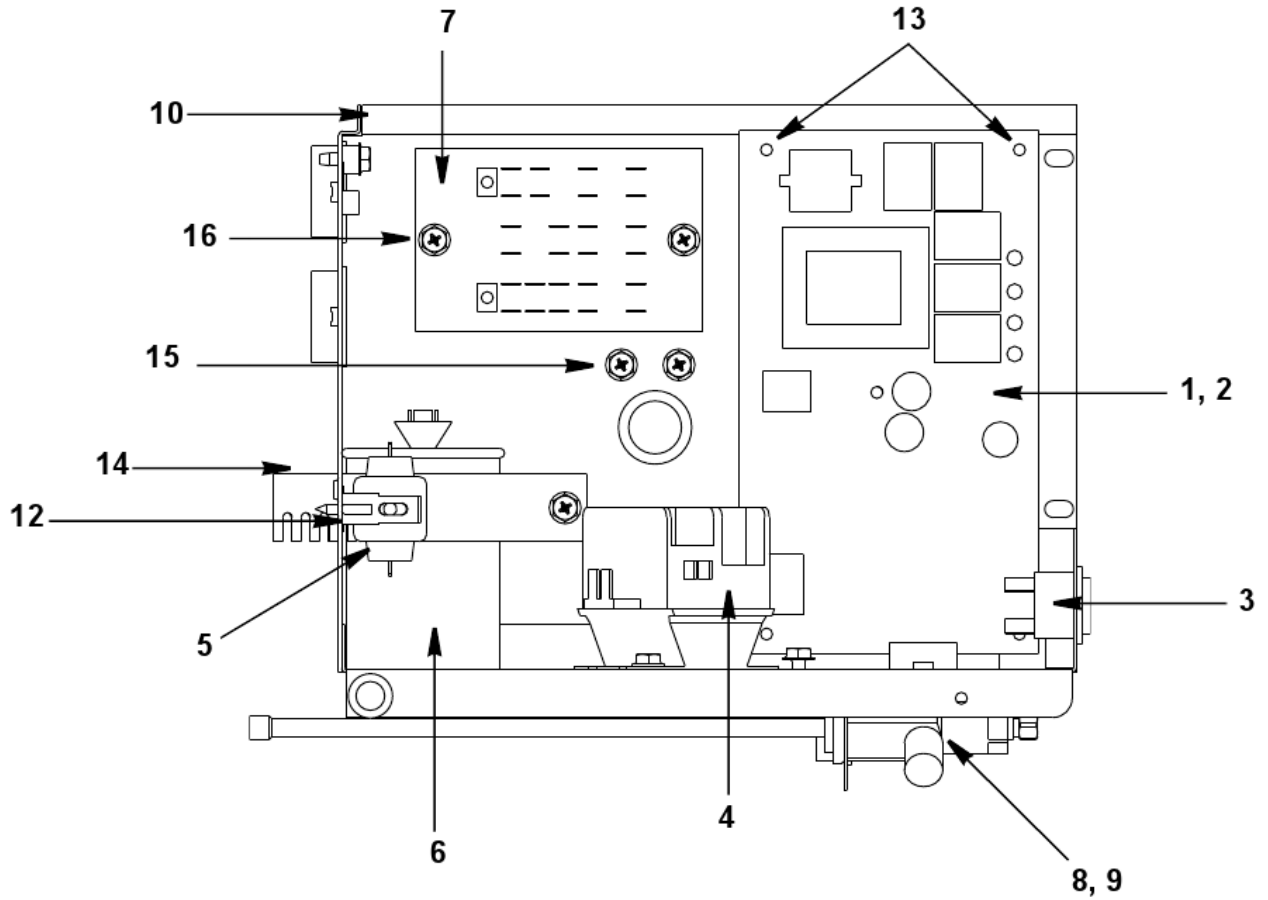
Q Series

Q Model - Prison

Q0800P, DC0862, JC0895

Q0800P - Control Box Components .....	1
Q0800P - Evaporator Compartment - Common Components .....	3
Q0800P - Refrigeration Compartment - Common Components .....	5
Q0800P - Refrigeration Compartment - Air-cooled Components .....	7
Q0800P - Refrigeration Compartment - Water-cooled Components .....	9
Q0800P - Refrigeration Compartment - Remote Components .....	11
Q0800P - Panels .....	13
DC0862 Dual Circuit Remote Condenser Components .....	15
JC0895 Remote Condenser Components .....	17

Q0800P - CONTROL BOX COMPONENTS



# Q0800P, DC0862, JC0895

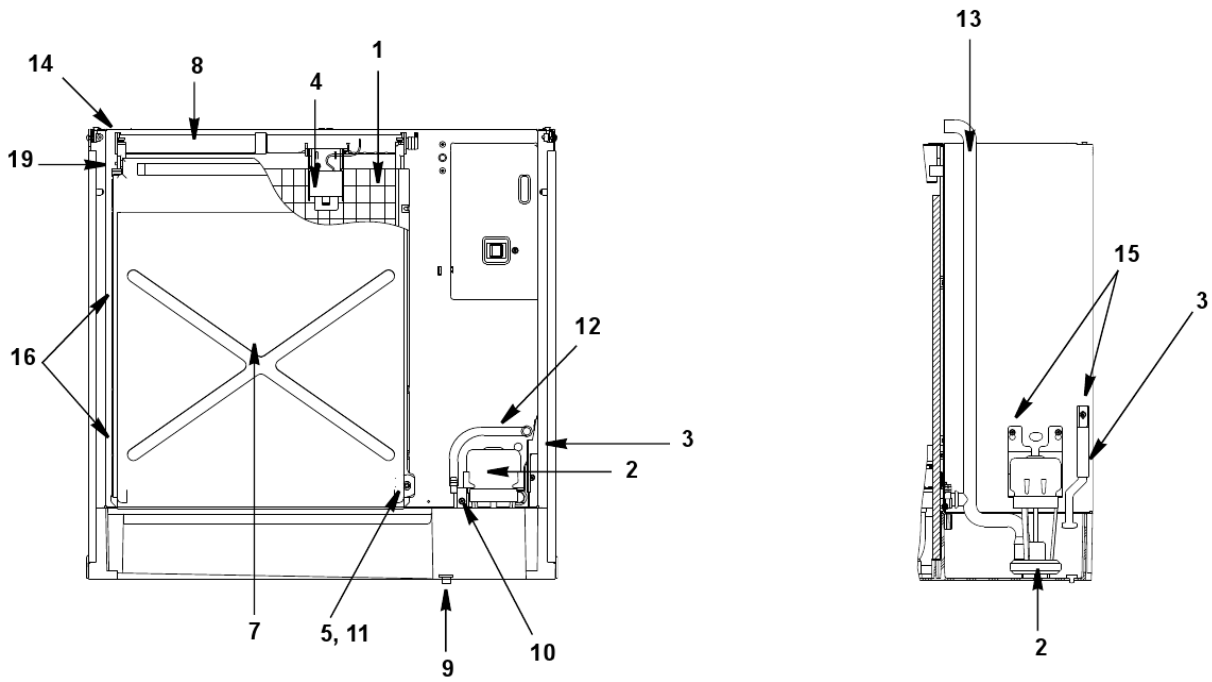
## Q0800P - CONTROL BOX COMPONENTS

#	PART #	DESCRIPTION	QTY	Note
1	7627823	Control Board		
2	2511003	7 Amp Fuse - Mounted on Control Board		
3	2301343	Toggle Switch Only		
3a	2032173	Toggle Switch with Wiring Harness Attached		
4		Contactor		
4a	2006599	Contactor - 230V/50-60 Hz/1 Ph		
4b	2006619	Contactor - 230V/60 Hz/3 Ph		
5	8504993	PTCR Compressor Starter		
6	2010133	Run Capacitor - 115-230V/50-60 Hz/1 Ph		[1]
7		Terminal Board with Wire Harness Attached		
7a	2032293	Wiring Harness - 230V/60 Hz/1 Ph		
7b	2032313	Wiring Harness - 208-230V/60 Hz/3 Ph		
7c		Wiring Harness - 230V/50 Hz/1 Ph		[2]
8	8373263	Refrigeration Service Valve Assembly		
9	5475039	Locknut - 0.375" - 18 NPS		
10	6025593	Control Box		
11	7628523	Control Box Cover		
12	8505013	PTCR Compressor Starter Mounting Bracket		
13	4302253	Control Board Mounting Supports		
14	6024951	Capacitor Bracket		
15	5202169	Screw - #10-24 x 0.50" Ground		
16	5202069	Screw - #10-24 x 0.50" HEX		

### PART NOTES:

- [1] - Used with Compressors PN 7628153 and PN 7628173
- [2] - No Longer Available

Q0800P - EVAPORATOR COMPARTMENT - COMMON COMPONENTS



# Q0800P, DC0862, JC0895

## Q0800P - EVAPORATOR COMPARTMENT - COMMON COMPONENTS

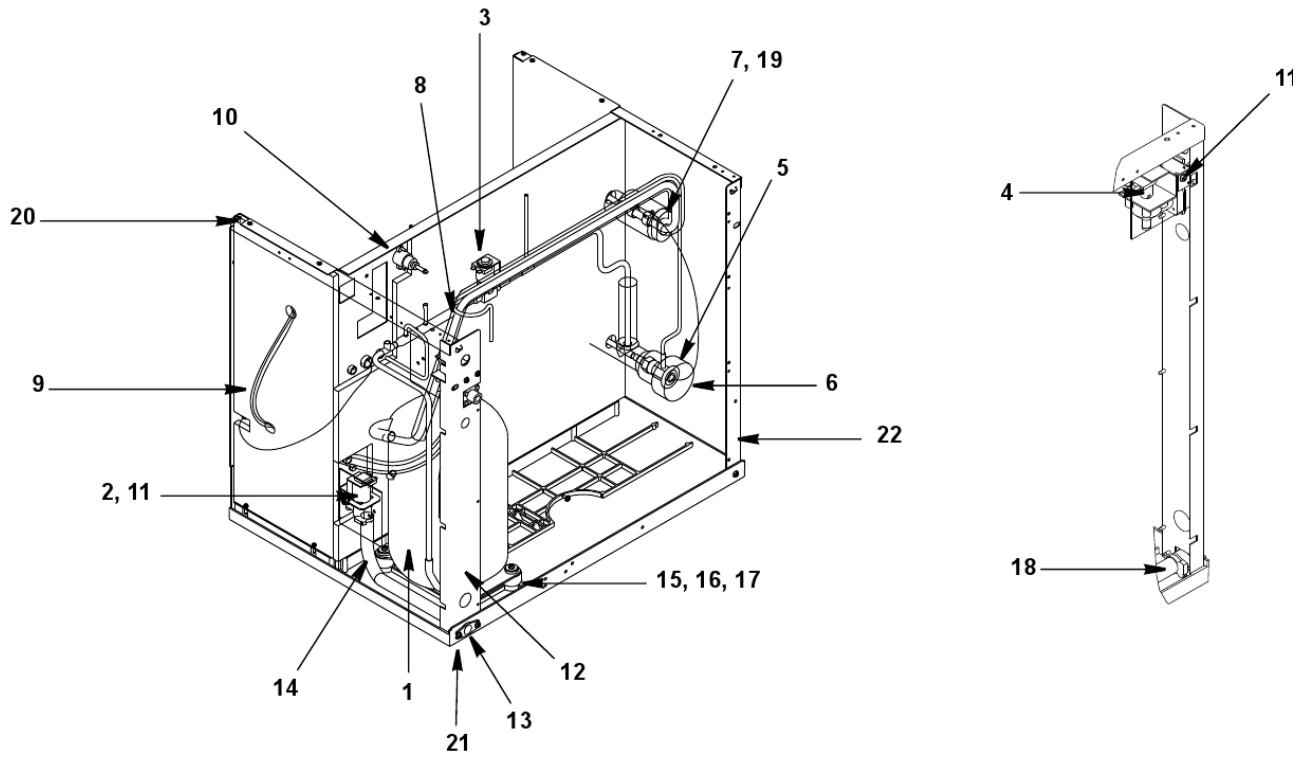
#	PART #	DESCRIPTION	QTY	Note
1		Evaporator Assembly		
1a	7624739	Evaporator - Regular Cube		
1b	7624729	Evaporator - Dice Cube		
1c	7624719	Evaporator - Half Dice Cube		
2		Water Pump - See Note for Usage		
2a	7626013	Water Pump - 230V/50-60 Hz		[1]
2b	1480279	Water Pump - 208-230V/50-60 Hz		[2]
3	2511293	Water Level Probe		
4	7627813	Ice Thickness Control Probe		
5	2301483	Magnetic Bin Switch		
6	7620543	Water Flow Clamp - Use on Regular Cube Evap. Only		
7	4008513	Water Curtain		
8	7624983	Water Distribution Tube - B/J/Q		
9	4300629	Water Trough Plug		
10	4303883	Water Inlet Flow Tube		
11	7628023	Water Curtain Magnet and Cap		
12	4421243	Drain Pump Vent Tube		
13	4420703	Tubing		
14	5000013	Thumbscrew - #8-32 x 0.375"		
15	5202069	Screw - #10-24 x 0.50" HEX		
16	5202189	Screw - #10-24 x 0.75"		
17	7628063	Base and Water Trough Repair Kit		
18	7626213	Evaporator Top Molding and Gasket Assembly		
19	7627763	Water Curtain Pin Assembly		

### PART NOTES:

- [1] - 60 Hz
- [2] - 50 Hz

# Q0800P, DC0862, JC0895

## Q0800P - REFRIGERATION COMPARTMENT - COMMON COMPONENTS



# Q0800P, DC0862, JC0895

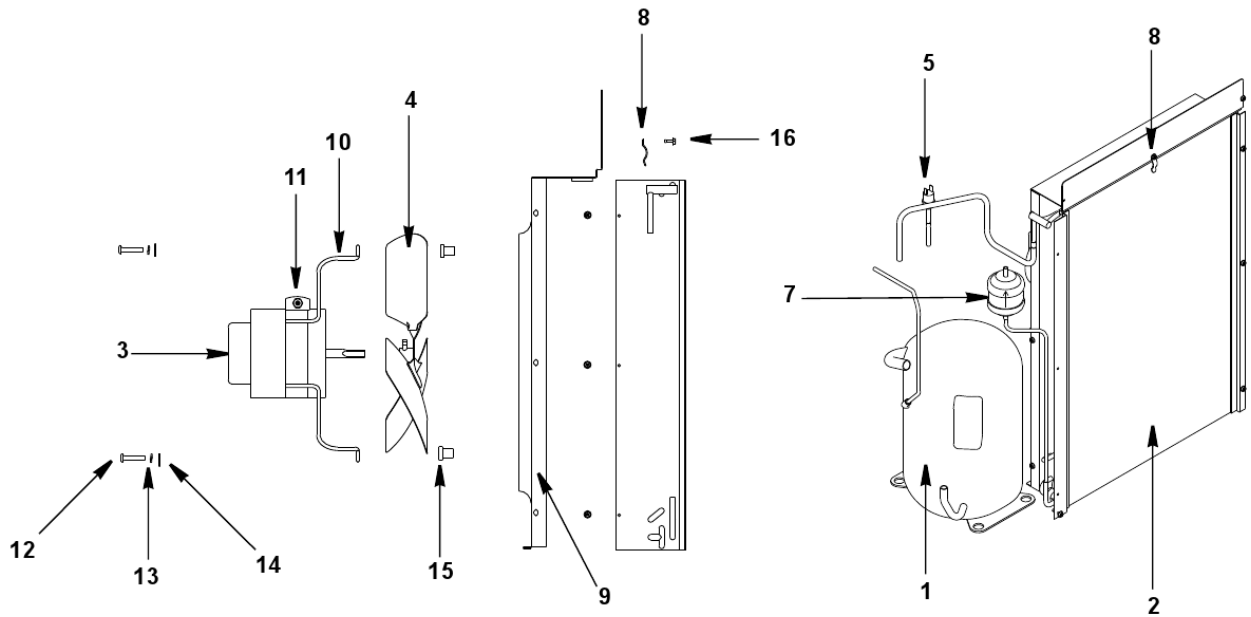
## Q0800P - REFRIGERATION COMPARTMENT - COMMON COMPONENTS

#	PART #	DESCRIPTION	QTY	Note
1		Compressor		
1a	7628153	Compressor - Tecumseh - 208-230V/60 Hz/1 Ph		
1b	7628163	Compressor - Tecumseh - 208-230V/60 Hz/3 Ph		
1c	7628173	Compressor - Tecumseh - 230V/50 Hz/1 Ph		
2		Water Dump Valve		
2a	000001768	Water Dump Valve - 208-230V/50-60 Hz		
3		Harvest Valve		
3a	7630111	Danfoss Solenoid Valve with Coil - 230V/50-60 Hz		
3b	000005157	Danfoss Solenoid Valve Coil Only - 230V/50-60 Hz		[1]
3c	2404483	Alco Solenoid Valve Coil Only - 230V/50 Hz		
4		Water Inlet Valve		
4a	000007966	Water Inlet Valve - 208-230V/50-60 Hz		
5	7600213	Expansion Valve		
6		Expansion Valve Body Insulation Boot		
6a	4007213	Valve Insulation Boot - Body		
6b	4000363	Valve Insulation Boot - Body		
7	4007203	Valve Insulation Boot - Bulb		[2]
8	8310153	Manifold Strainer - 3 Hole		
9	2078103	Water Pump Electrical Wire Lead		
10	2355369	High Pressure Cut-out Control		[3]
10	2001243	High Pressure Cut-out Control		[4]
11	6023541	Dump Valve/Water Inlet Valve Mounting Bracket		
12	6019534	Right Corner Post Weldment		
13	8706083	Female Wing Adapter - 0.50"		
14	4420383	Clear Tubing - 0.625" ID		
15	8503069	Mounting - Rubber Grommet		
16	5573419	Washer		
17	5012309	Compressor Mounting - Screw		
18	5650709	Snap Clamp - 0.799"/0.899" ID		
19	5650529	Clamp - Expansion Valve Bulb		
20	5202099	Screw - #10-24 x 0.50" PHIL		
21	5202189	Screw - #10-24 x 0.75"		
22	6019514	Left Corner Post Weldment		
23	6034331	Bracket, Screw Cover for Water Inlet Valve		

### PART NOTES:

- [1] - \pages from 000005156\_02.jpg" width=266 height=183>
- [2] - \pages from 400720\_08.jpg" width=923 height=583>
- [3] - Manual Reset
- [4] - Auto Reset

Q0800P - REFRIGERATION COMPARTMENT - AIR-COOLED COMPONENTS



# Q0800P, DC0862, JC0895

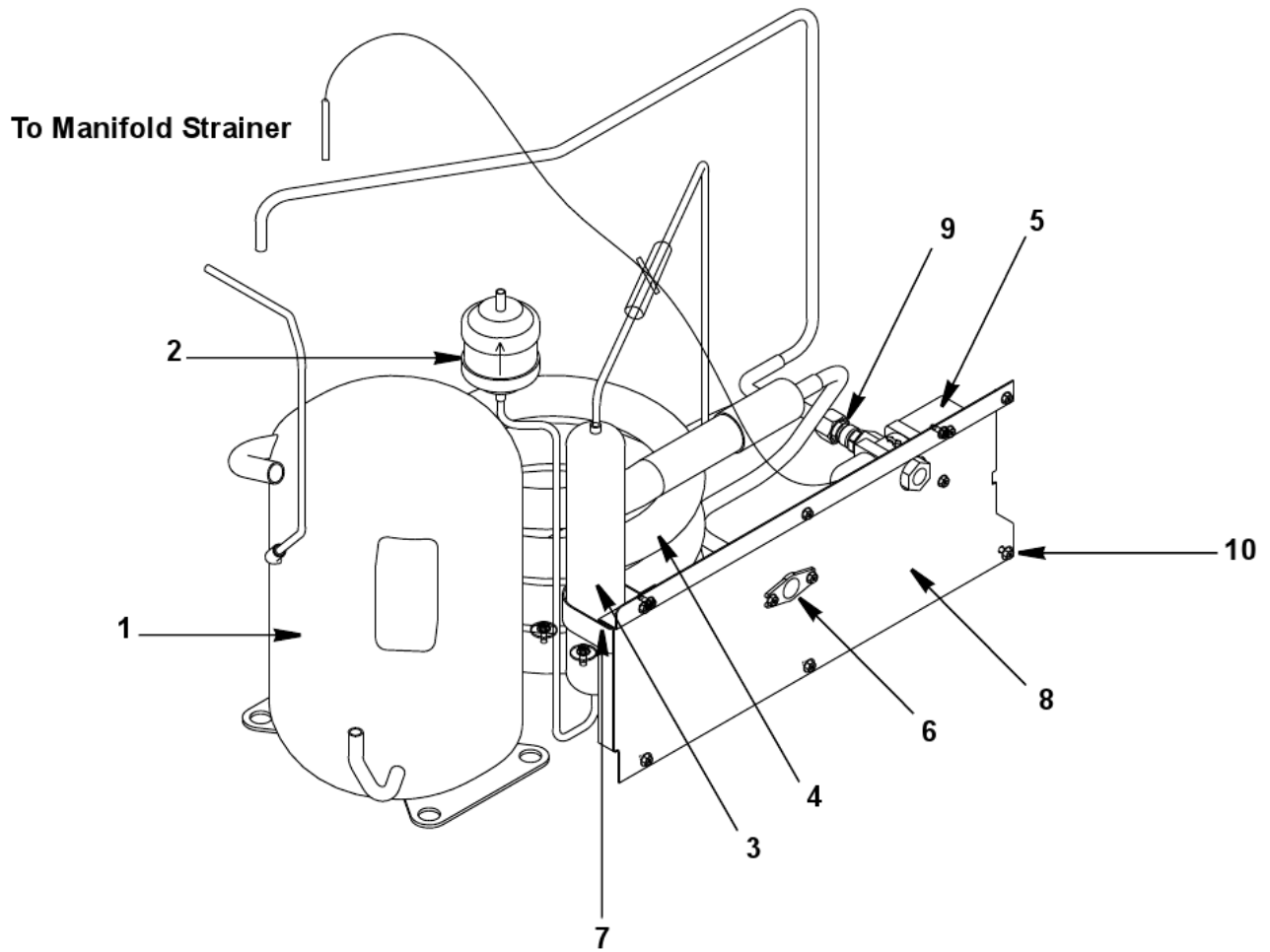
## Q0800P - REFRIGERATION COMPARTMENT - AIR-COOLED COMPONENTS

#	PART #	DESCRIPTION	QTY	Note
1		Compressor		[1]
2	8251143	Air Condenser		
3	7626723	Fan Motor - 208-230V/50-60 Hz		
4	2416123	Fan Blade		
5	2001273	Fan Cycling Control - 225-275 psig		[2]
6	4040203	Air Filter		
7	8930259	Drier		
8	5650699	Air Filter Clip		
9	6018814	Fan Shroud		
10	3006843	Fan Motor Bracket		
11	5033589	Mounting - Screw		
11a	5545109	Lockwasher		
11b	5429529	Mounting - Hexnut		
12	5033589	Mounting - Screw		
13	5545109	Lockwasher		
14	5573059	Mounting - Flatwasher		
15	5429559	Mounting - Rubber Wellnut		
16	5202069	Screw - #10-24 x 0.50" HEX		

### PART NOTES:

- [1] - Refer to COMMON PARTS Page
- [2] - \pages from 200126\_09.jpg" width=170 height=228>

Q0800P - REFRIGERATION COMPARTMENT - WATER-COOLED COMPONENTS



# Q0800P, DC0862, JC0895

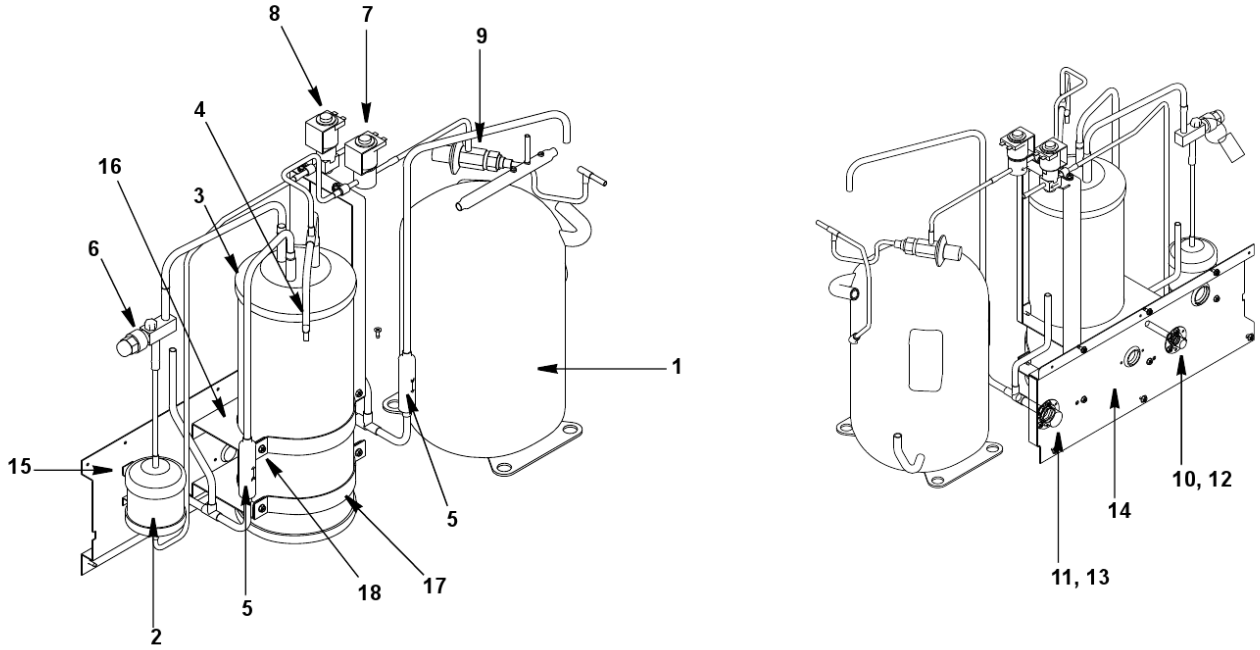
## Q0800P - REFRIGERATION COMPARTMENT - WATER-COOLED COMPONENTS

#	PART #	DESCRIPTION	QTY	Note
1		Compressor		[1]
2	8930259	Drier		
3	000008893	Receiver		
4	8865343	Water-cooled Condenser		
5	8372069	Water Regulating Valve		
6	8706083	Female Wing Adapter - 0.50"		
7	6000541	Receiver Strap		
8	6019061	Back Panel		
9	8332033	Water Coupling		
10	5202189	Screw - #10-24 x 0.75"		

### PART NOTES:

[1] - Refer to COMMON PARTS Page

Q0800P - REFRIGERATION COMPARTMENT - REMOTE COMPONENTS



# Q0800P, DC0862, JC0895

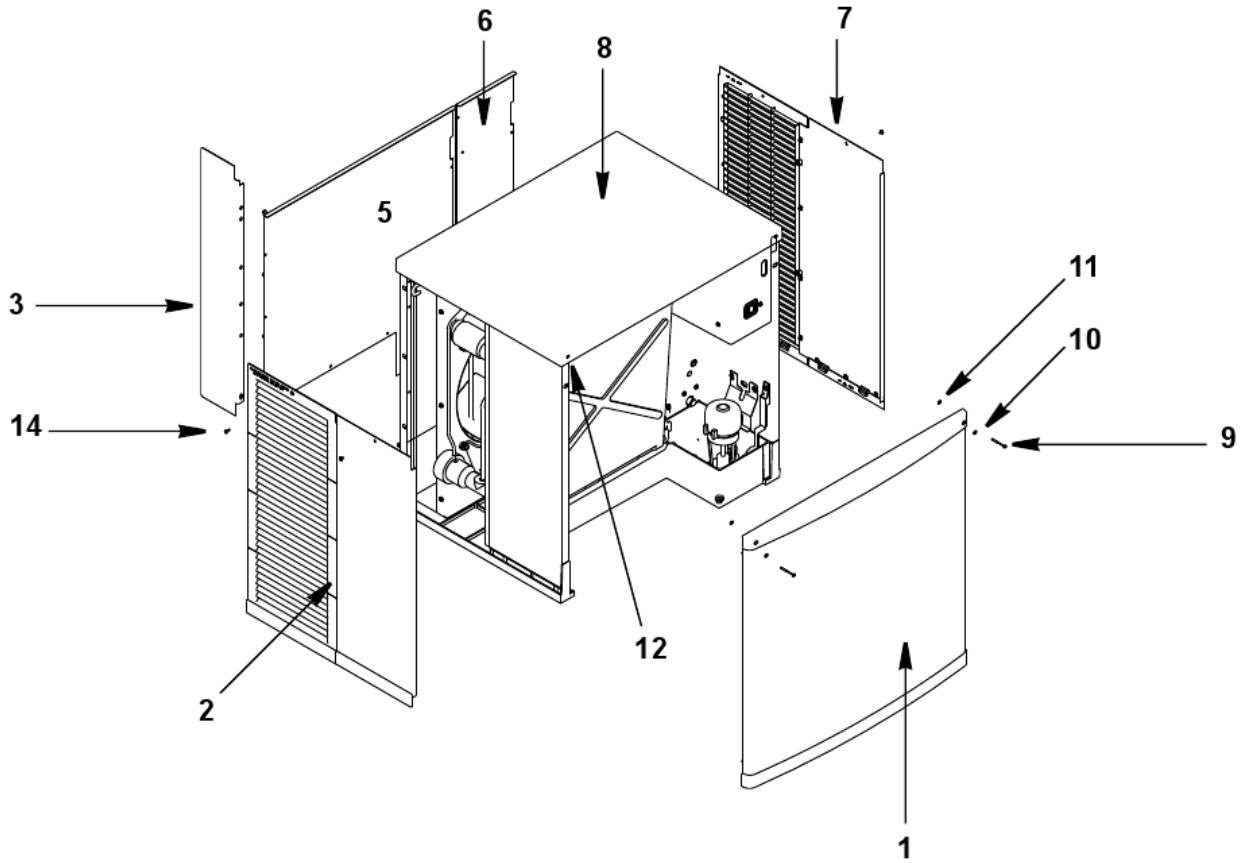
## Q0800P - REFRIGERATION COMPARTMENT - REMOTE COMPONENTS

#	PART #	DESCRIPTION	QTY	Note
1		Compressor		[1]
2	8930279	Drier		
3	7629573	Receiver		
4		Safety Soft Plug		[2]
5	8373149	Magni-Check Valve - 0.375"		
6	8373169	Receiver Service Valve		
6a	5650753	Caps for Refrigeration Service Valve		
7		Harvest Pressure Regulating Solenoid Valve		
7a	7630061	Danfoss Solenoid Valve with Coil - 208-230V/50-60 Hz		
7b	000005157	Danfoss Solenoid Valve Coil Only - 230V/50-60 Hz		[3]
7c	2404483	Alco Solenoid Valve Coil Only - 230V/50 Hz		
8		Liquid Line Solenoid Valve		
8a	7630081	Danfoss Solenoid Valve 208-230V		
8b	000005157	Danfoss Solenoid Valve Coil Only - 230V/50-60 Hz		[3]
8c	2404483	Alco Solenoid Valve Coil Only - 230V/50 Hz		
9	8367793	Harvest Pressure Regulating Valve		
10	8360343	Coupling - Male - 5/8-18		
11	8360353	Coupling - Male - 1-1/6-12		
12	8360053	Coupling Mounting Flange for 5/8-18		
13	8360063	Coupling Mounting Flange for 1-1/16-12		
14	6019061	Back Panel		
15	6017371	Drier Support Bracket		
16	6000561	Receiver Mounting Bracket		
17	6307214	Receiver Mounting Strap		
18	5202069	Screw - #10-24 x 0.50" HEX		

### PART NOTES:

- [1] - Refer to COMMON PARTS
- [2] - No Longer Available
- [3] - \pages from 000005156\_02.jpg" width=266 height=183>

Q0800P - PANELS



# Q0800P, DC0862, JC0895

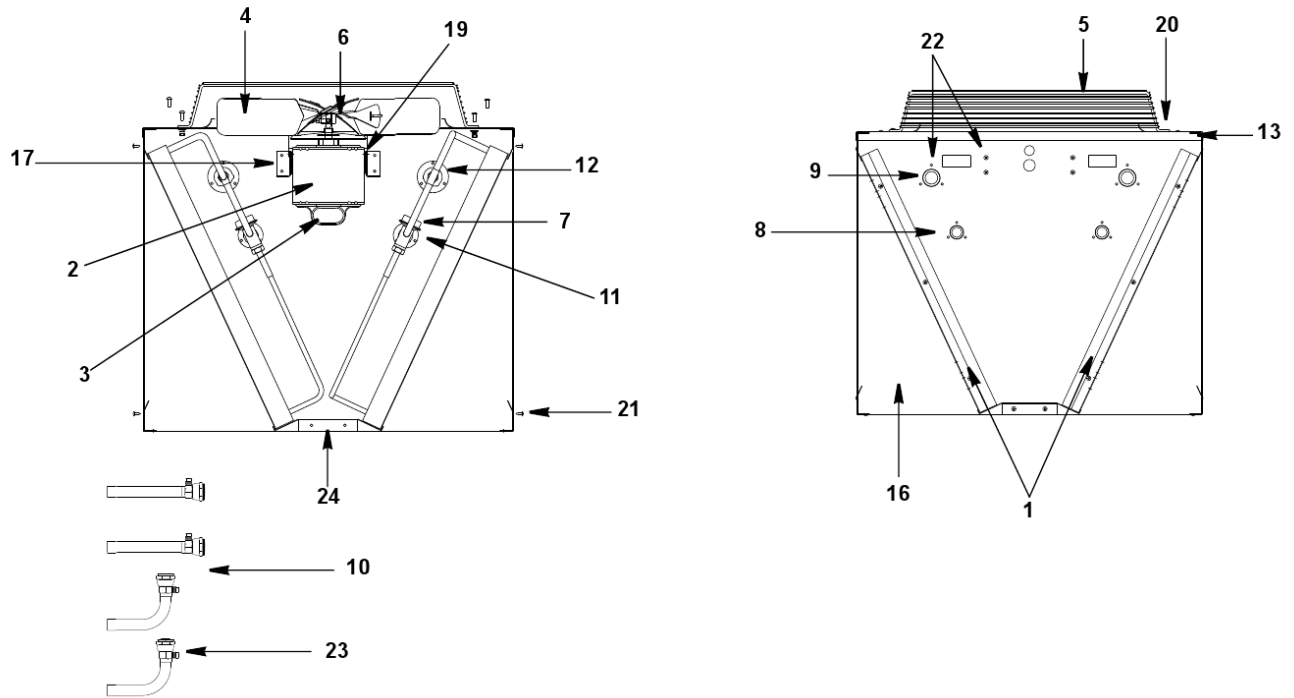
## Q0800P - PANELS

#	PART #	DESCRIPTION	QTY	Note
1		Front Panel Assembly		
1a	6036331	Front Panel - Air and Water		
1b	6036371	Front Panel - Remote		
2	6031091	Left Side Panel		
3	6023751	Air Baffle		
4	4040203	Air Filter		
5		Back Panel, Water or Remote		[1]
6	6024571	Back Panel, Air		
7	6031081	Right Side Panel		
8	6031121	Top Cover		
9	5202219	Front Cover Screw		
10	5573389	Washer - Nylon 0.171" x 0.38"		
11	3718199	O-ring		
12	5474913	Speed Nut Assembly to Mount Front Cover		
13	6037491	Front Panel Support Bracket		
14	5202209	Screw Side Panel		
15	9202509	Extruded Tape		
16	5800053	Screwdriver Bit Front Panel - #4-40 TX-15-H		
17	5800043	Screwdriver Bit Side Panels - #4-40 TX-25-H		
18	6580419	Front Top Support		

### PART NOTES:

[1] - No Longer Available

DC0862 DUAL CIRCUIT REMOTE CONDENSER COMPONENTS



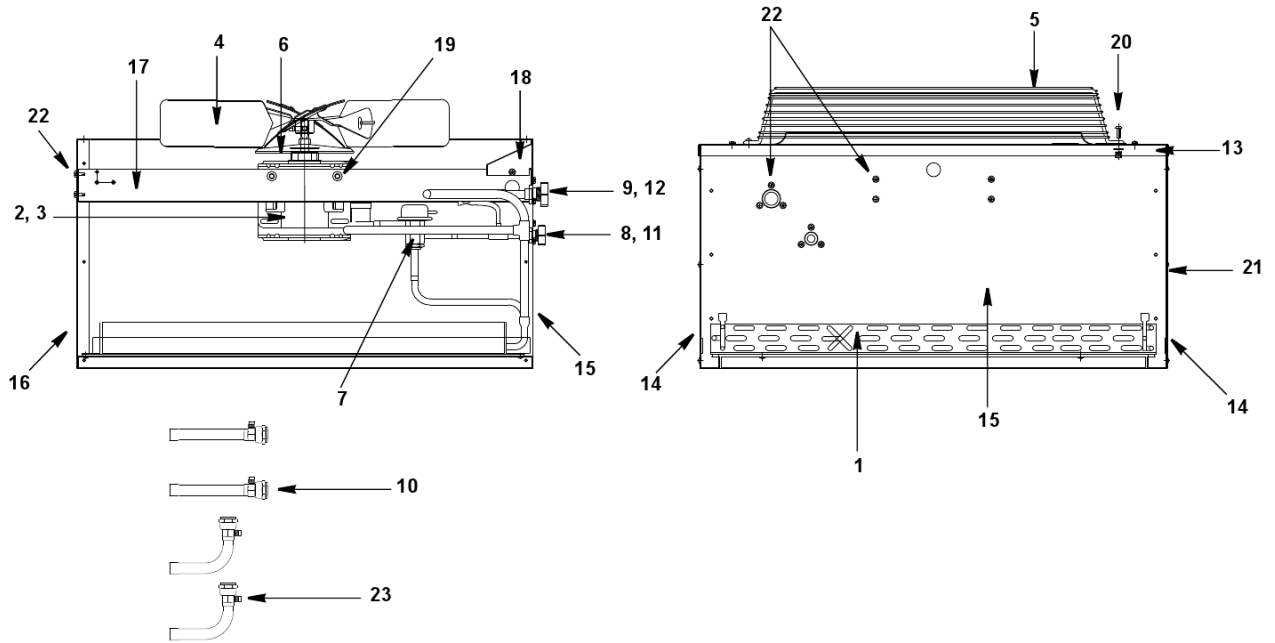
## DC0862 DUAL CIRCUIT REMOTE CONDENSER COMPONENTS

#	PART #	DESCRIPTION	QTY	Note
1	8850629	Air Condenser		
2	7629423	Fan Motor - 115V/60 Hz/1 Ph		
3		Fan Motor Run Capacitor		[1]
4	2416113	Fan Blade		
5	3400643	Fan Guard		
6	2415053	Rain Slinger		
7	000004070	Head Pressure Control Valve		
8	8360343	Coupling - Male - 5/8-18		
9	8360353	Coupling - Male - 1-1/6-12		
10		Female Line Set Coupling Kit		[2]
11	8360053	Coupling Mounting Flange for 5/8-18		
12	8360063	Coupling Mounting Flange for 1-1/16-12		
13	6017891	Top Cover		
14	6017691	Legs		
15	6017881	Panel - Rear		
16	6017871	Panel - Front		
17	6017681	Fan Motor Mounting Bracket		
18	6017761	Electrical Box Cover		
19	5035659	Fan Motor Mounting Screw		
19a	5573099	Mounting - Flatwasher		
19b	5573139	Mounting - Lockwasher		
19c	5429759	Mounting - Hexnut		
20	5033459	Screw - 1/4-20 x 0.625"		
20a	5573049	Flatwasher		
20b	5545119	Mounting - Lockwasher		
20c	5429529	Mounting - Hexnut		
21	5121539	Panel/Condenser Mounting Screw - #8 x 0.50"		
21a	5544599	Panel/Condenser Mounting Lockwasher		
22	5202069	Screw - #10-24 x 0.50" HEX		
23	7626843	Valve Cores		
24	6017791	Base Angle		
25		Fan Cycle Kit K00095		
25a		Relay		[1]
25b		Relay Mounting Bracket		[1]
25c		Transformer		[1]
25d	2515013	Electrical Junction		

**PART NOTES:**

- [1] - No Longer Available
- [2] - Sales K0129 Sold as Finished Goods Sales Kit

JC0895 REMOTE CONDENSER COMPONENTS



# Q0800P, DC0862, JC0895

## JC0895 REMOTE CONDENSER COMPONENTS

#	PART #	DESCRIPTION	QTY	Note
1	8850629	Air Condenser		
2	7629413	Fan Motor - 208-230V/50-60 Hz/1 Ph		
3	8504583	Fan Motor Run Capacitor		[1]
4	2416113	Fan Blade		
5	3400643	Fan Guard		
6	2415053	Rain Slinger		
7	000004070	Head Pressure Control Valve		
8	8360343	Coupling - Male - 5/8-18		
9	8360353	Coupling - Male - 1-1/6-12		
10	K0129	Female Line Set Coupling Kit		
11	8360053	Coupling Mounting Flange for 5/8-18		
12	8360063	Coupling Mounting Flange for 1-1/16-12		
13	6017751	Top Cover		
14	6017741	Panel - Side		
15	6017731	Panel - Rear		
16	6017721	Panel - Front		
17	6017681	Fan Motor Mounting Bracket		
18	6017761	Electrical Box Cover		
19	5035659	Fan Motor Mounting Screw		
19a	5573099	Mounting - Flatwasher		
19b	5573139	Mounting - Lockwasher		
19c	5429759	Mounting - Hexnut		
20	5033459	Screw - 1/4-20 x 0.625"		
20a	5573049	Flatwasher		
20b	5545119	Mounting - Lockwasher		
20c	5429529	Mounting - Hexnut		
21	5121539	Panel/Condenser Mounting Screw - #8 x 0.50"		
21a	5544599	Panel/Condenser Mounting Lockwasher		
22	5202069	Screw - #10-24 x 0.50" HEX		
23	7626843	Valve Cores		
24	6017691	Legs		

**PART NOTES:**

[1] - Emerson