



***Manitowoc***  
**Foodservice**  
**Parts Manual**

For more Parts Information:

<https://manitowocfsg.sysonline.com/Default.aspx>

# TABLE OF CONTENTS

Manitowoc Foodservice [Updated: Sep. 30, 2013]

Manitowoc - Ice & Related

Parts Catalog

Ice Machine

Q Series

Q Model - Marine

Q1000M

Q1000M - Control Box Components ..... 1

Q1000M - Evaporator Compartment - Common Components ..... 3

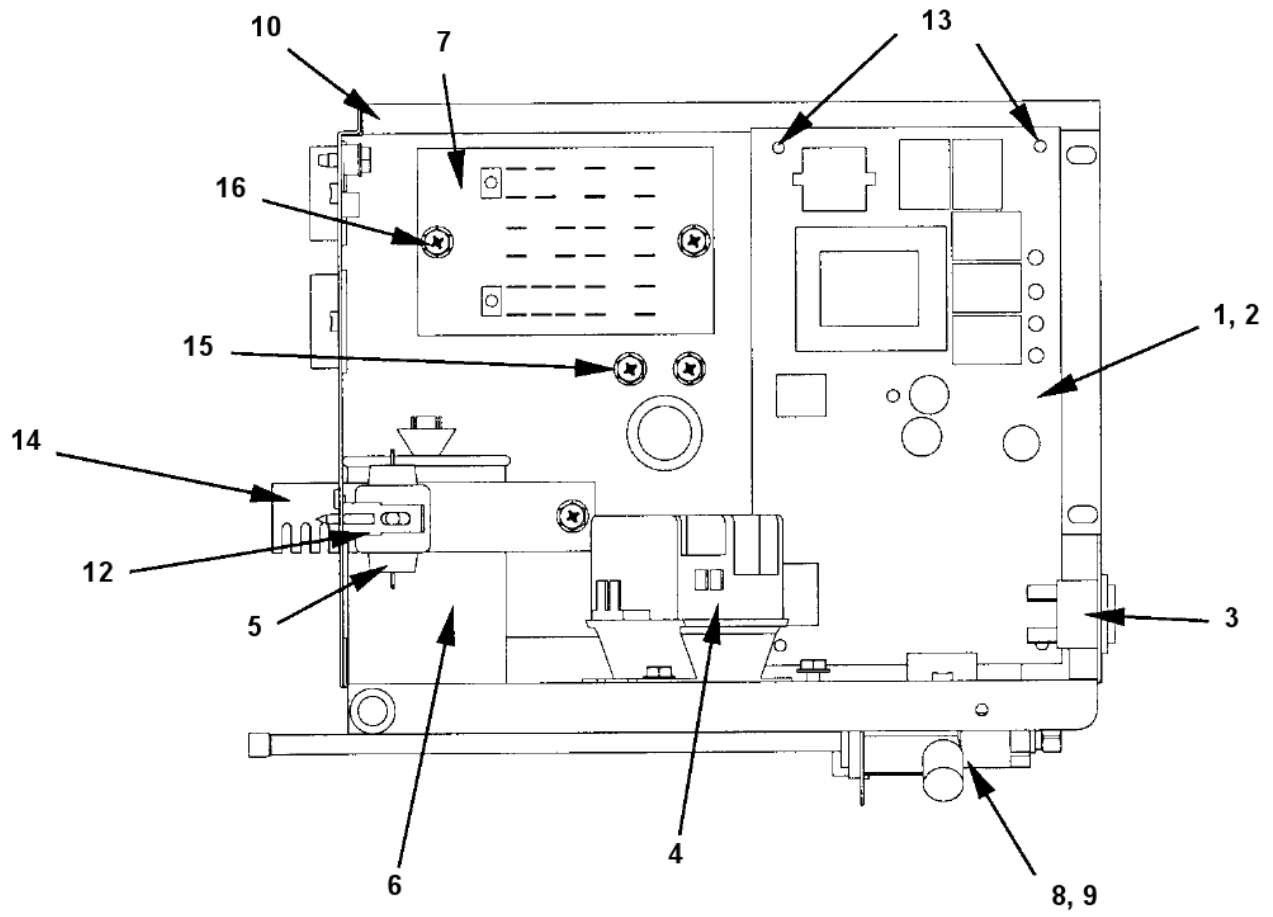
Q1000M - Refrigeration Compartment - Common Components ..... 5

Q1000M - Refrigeration Compartment - Water-cooled Components ..... 7

Q1000M - Panels ..... 9

# Q1000M

## Q1000M - CONTROL BOX COMPONENTS



# Q1000M

## Q1000M - CONTROL BOX COMPONENTS

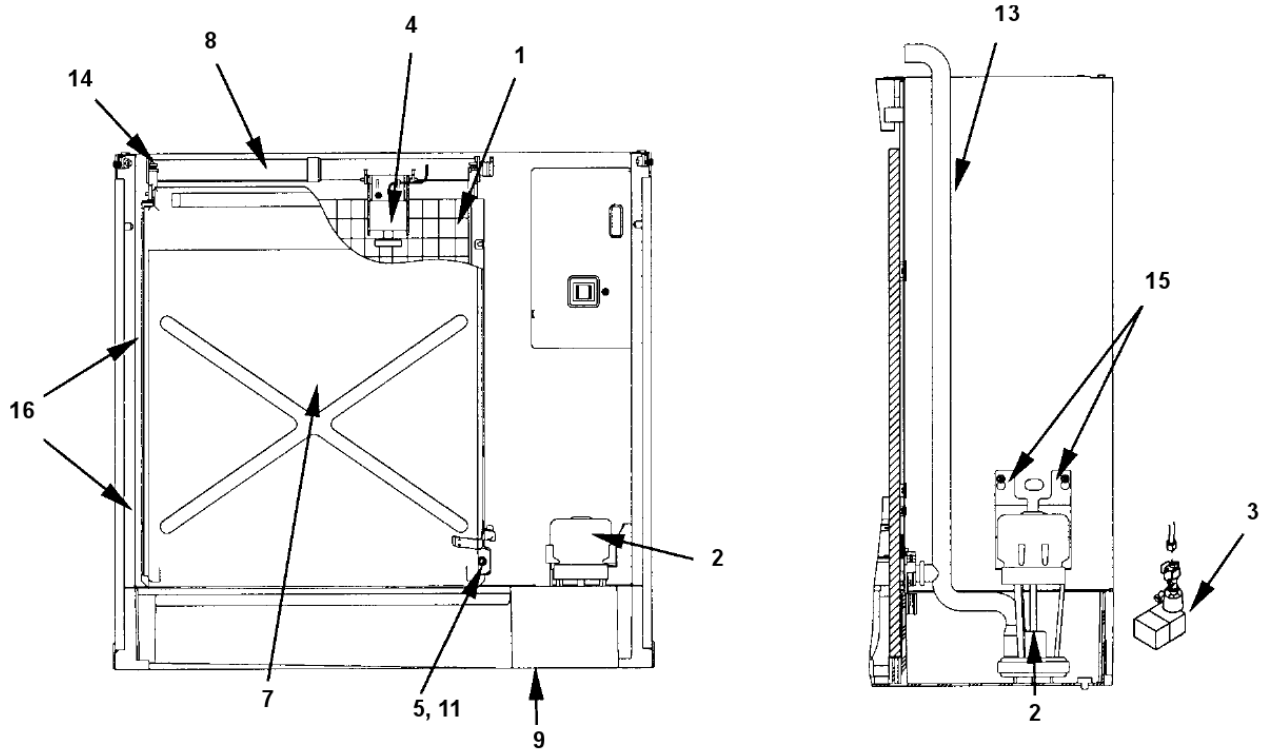
#	PART #	DESCRIPTION	QTY	Note
1	7627823	Control Board		
2	2511003	7 Amp Fuse - Mounted on Control Board		
3	2301343	Toggle Switch Only		
3a	2032173	Toggle Switch with Wiring Harness Attached		
4		Contactor		
4a	2006599	Contactor - 230V/50-60 Hz/1 Ph		
4b	2006619	Contactor - 230V/60 Hz/3 Ph		
5	8504993	PTCR Compressor Starter		
6		Compressor Run Capacitor - See Note for Usage		
6a	2010133	Run Capacitor - 115-230V/50-60 Hz/1 Ph		[1]
6b	000001395	Run Capacitor - 208-230V/50-60 Hz/1 Ph		[2]
7	2002303	Control Box Wire Harness		
8	8373263	Refrigeration Service Valve Assembly		
9	5475039	Locknut - 0.375" - 18 NPS		
10	6025593	Control Box		
11	7628523	Control Box Cover		
12	8505013	PTCR Compressor Starter Mounting Bracket		
13	4302253	Control Board Mounting Supports		
14	6024951	Capacitor Bracket		
15	5202169	Screw - #10-24 x 0.50" Ground		
16	5202069	Screw - #10-24 x 0.50" HEX		

### PART NOTES:

- [1] - 208-230V/60 Hz/1 Ph
- [2] - 230V/50 Hz/1 Ph

# Q1000M

## Q1000M - EVAPORATOR COMPARTMENT - COMMON COMPONENTS



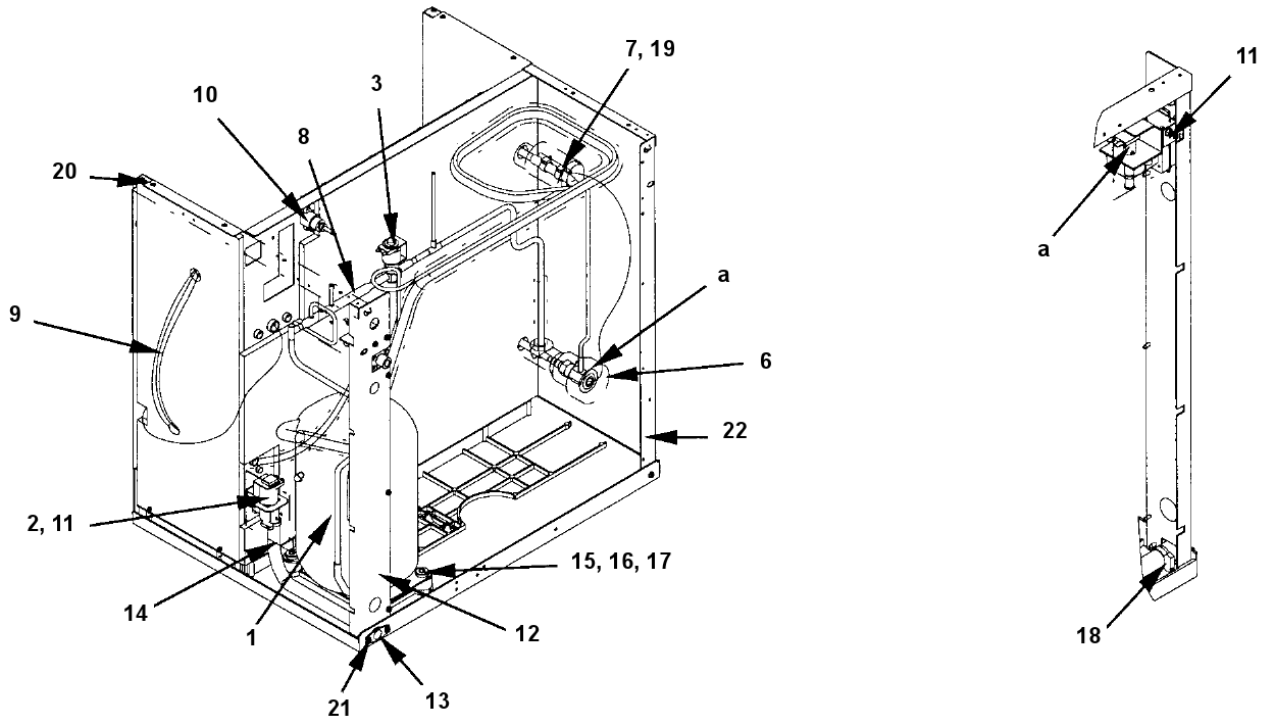
# Q1000M

## Q1000M - EVAPORATOR COMPARTMENT - COMMON COMPONENTS

#	PART #	DESCRIPTION	QTY	Note
1		Evaporator Assembly		
1a	7625019	Evaporator - Regular Cube		
1b	7625029	Evaporator - Dice Cube		
1c	7625039	Evaporator - Half Dice Cube		
2	1480279	Water Pump - 208-230V/50-60 Hz		
3	8369133	Float Valve		
3a	8369069	Float Valve Screen		
3b	8369089	Float Valve Plunger		
3c	5650729	Compression Nut		
4	7627813	Ice Thickness Control Probe		
5	2301483	Magnetic Bin Switch		
6	7620543	Water Flow Clamp - Use on Regular Cube Evap. Only		
7	6048301	Water Curtain		
8	7624983	Water Distribution Tube - B/J/Q		
9	4300629	Water Trough Plug		
10	4303883	Water Inlet Flow Tube		
11	7628023	Water Curtain Magnet and Cap		
12	4421113	Water Inlet Tubing 0.375 ID		
13	4421153	Water Pump Tubing		
14	5305113	Screw, #8-32 x 0.63 Nylon Water Distribution Tube Mounting		
15	5202069	Screw - #10-24 x 0.50" HEX		
16	5202189	Screw - #10-24 x 0.75"		
17	7628063	Base and Water Trough Repair Kit		
18	7626213	Evaporator Top Molding and Gasket Assembly		
19	7627763	Water Curtain Pin Assembly		

# Q1000M

## Q1000M - REFRIGERATION COMPARTMENT - COMMON COMPONENTS



# Q1000M

## Q1000M - REFRIGERATION COMPARTMENT - COMMON COMPONENTS

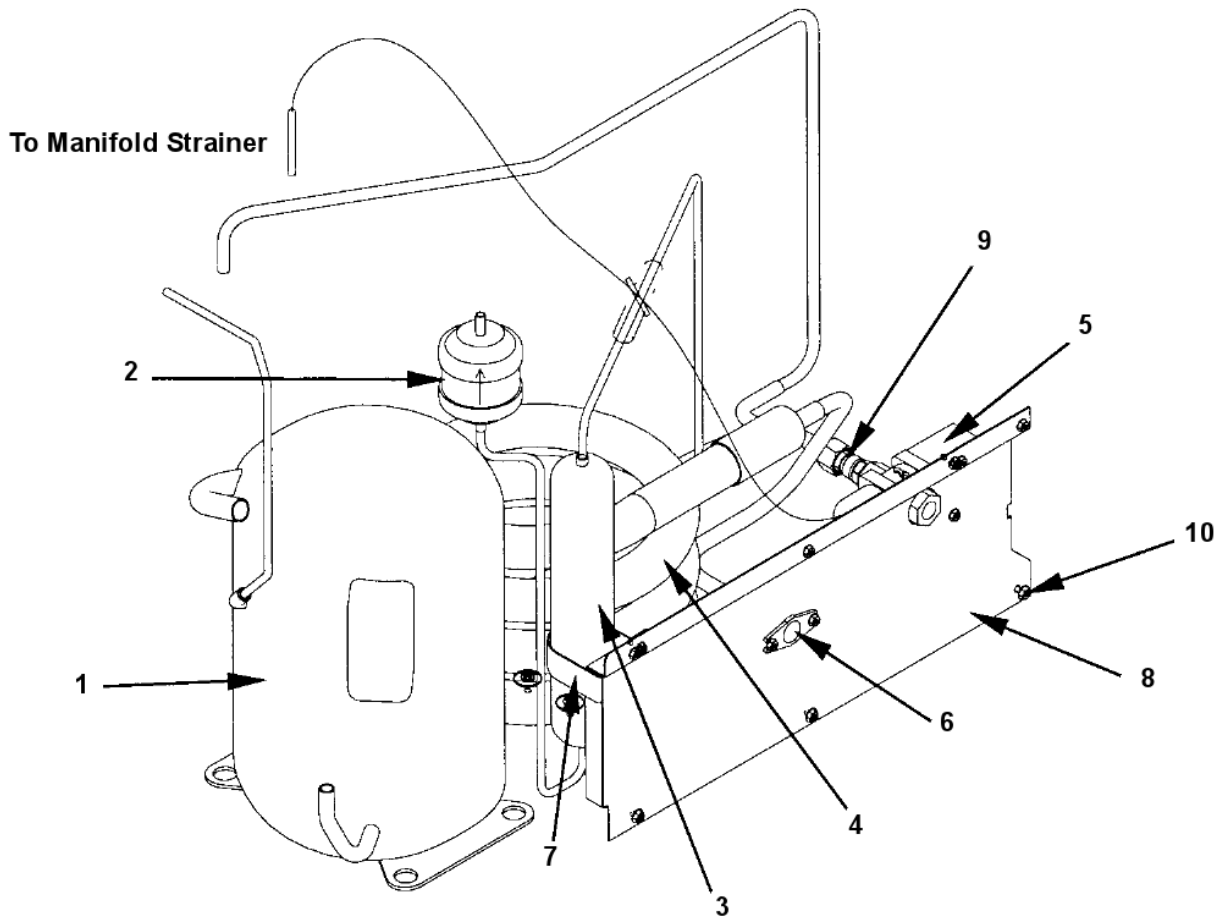
#	PART #	DESCRIPTION	QTY	Note
1		Compressor		
1a	7628183	Compressor - Tecumseh - 208-230V/60 Hz/1 Ph		
1b	7628193	Compressor - Tecumseh - 208-230V/60 Hz/3 Ph		
1c	7628203	Compressor - Tecumseh - 230V/50 Hz/1 Ph		
2		Water Dump Valve		
2a	000001768	Water Dump Valve - 208-230V/50-60 Hz		
3		Harvest Valve		
3a	7630111	Danfoss Solenoid Valve with Coil - 230V/50-60 Hz		
3b	000005157	Danfoss Solenoid Valve Coil Only - 230V/50-60 Hz		[1]
3c	2404483	Alco Solenoid Valve Coil Only - 230V/50 Hz		
4		Water Inlet Valve		
4a	000007966	Water Inlet Valve - 208-230V/50-60 Hz		
5	7627073	Expansion Valve		
6		Expansion Valve Body Insulation Boot		
6a	4007213	Valve Insulation Boot - Body		
6b	4000363	Valve Insulation Boot - Body		
7	4007203	Valve Insulation Boot - Bulb		[2]
8	8310153	Manifold Strainer - 3 Hole		
9	2077203	Water Pump Electrical Wire Lead		
10	2355369	High Pressure Cut-out Control		
11	6023541	Dump Valve/Water Inlet Valve Mounting Bracket		
12	6022041	Right Corner Post Weldment		
13	8706083	Female Wing Adapter - 0.50"		
14	4420383	Clear Tubing - 0.625" ID		
15	8503069	Mounting - Rubber Grommet		
16	5573419	Washer		
17	5012309	Compressor Mounting - Screw		
18	5650709	Snap Clamp - 0.799"/0.899" ID		
19	5650529	Clamp - Expansion Valve Bulb		
20	5202099	Screw - #10-24 x 0.50" PHIL		
21	5202189	Screw - #10-24 x 0.75"		
22	6022051	Left Corner Post Weldment		

### PART NOTES:

- [1] - \pages from 000005156\_02.jpg" width=266 height=183>  
 [2] - \pages from 400720\_08.jpg" width=923 height=583>

# Q1000M

## Q1000M - REFRIGERATION COMPARTMENT - WATER-COOLED COMPONENTS



# Q1000M

## Q1000M - REFRIGERATION COMPARTMENT - WATER-COOLED COMPONENTS

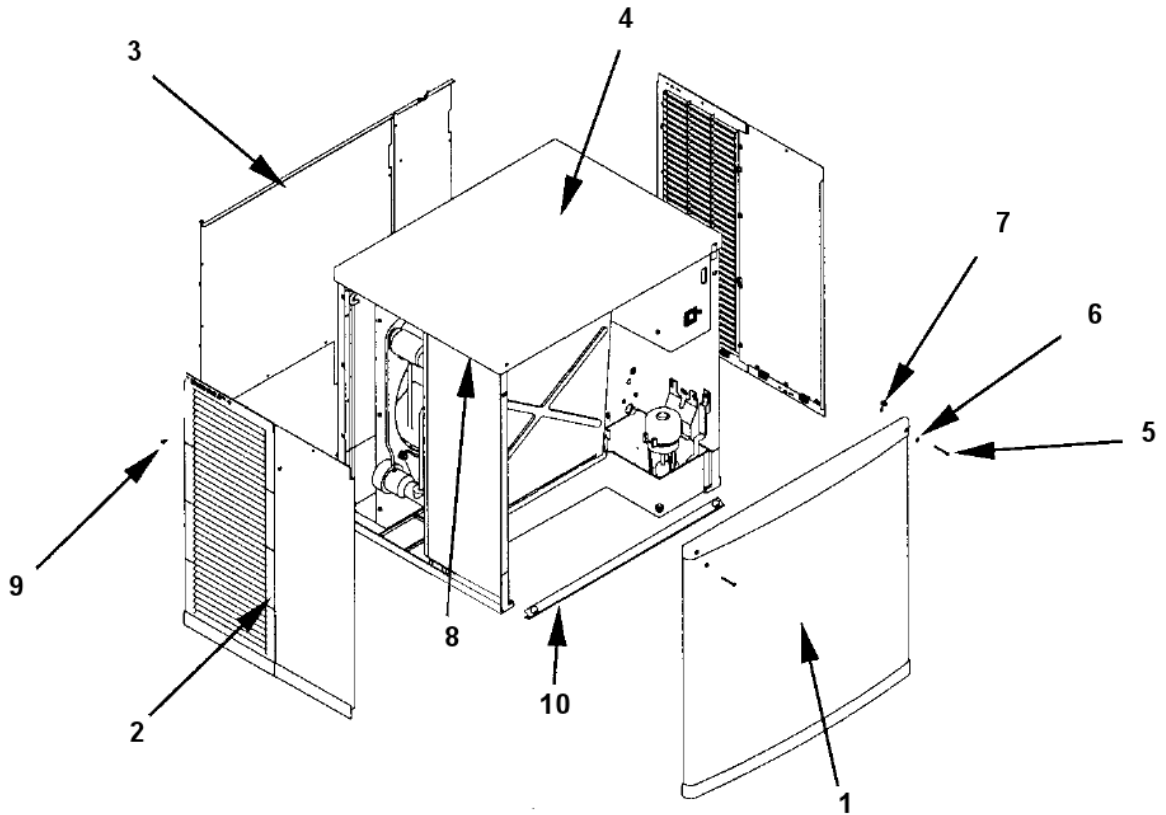
#	PART #	DESCRIPTION	QTY	Note
1		Compressor		[1]
2	8930259	Drier		
3	000008893	Receiver		
4	000001507	Water-cooled Condenser		
5	8372069	Water Regulating Valve		
6	8706083	Female Wing Adapter - 0.50"		
7	6000541	Receiver Strap		
8	6019061	Back Panel		
9	8332033	Water Coupling		
10	5202189	Screw - #10-24 x 0.75"		

### PART NOTES:

[1] - Refer to COMMON PARTS Page

# Q1000M

## Q1000M - PANELS



# Q1000M

## Q1000M - PANELS

#	PART #	DESCRIPTION	QTY	Note
1	6036341	Front Panel - Air and Water		
2	6033421	Right and Left Side Panels		
3	6024981	Back Panel		
4	6031121	Top Cover		
5	5119019	Screw - #8 x 1.75"		
6	5573389	Washer - Nylon 0.171" x 0.38"		
7	5648279	Screw Retainer - Nylon #8		
8	5473039	Speed Nut Assembly to Mount Front Cover		
9	5202099	Screw - #10-24 x 0.50" PHIL		
10	7600813	Bracket Assembly		
11	9202509	Extruded Tape		