



Manitowoc
Foodservice
Parts Manual

For more Parts Information:

<https://manitowocfsg.sysonline.com/Default.aspx>

TABLE OF CONTENTS

Manitowoc Foodservice [Updated: Sep. 30, 2013]

Manitowoc - Ice & Related

Parts Catalog

Ice Machine

Q Series

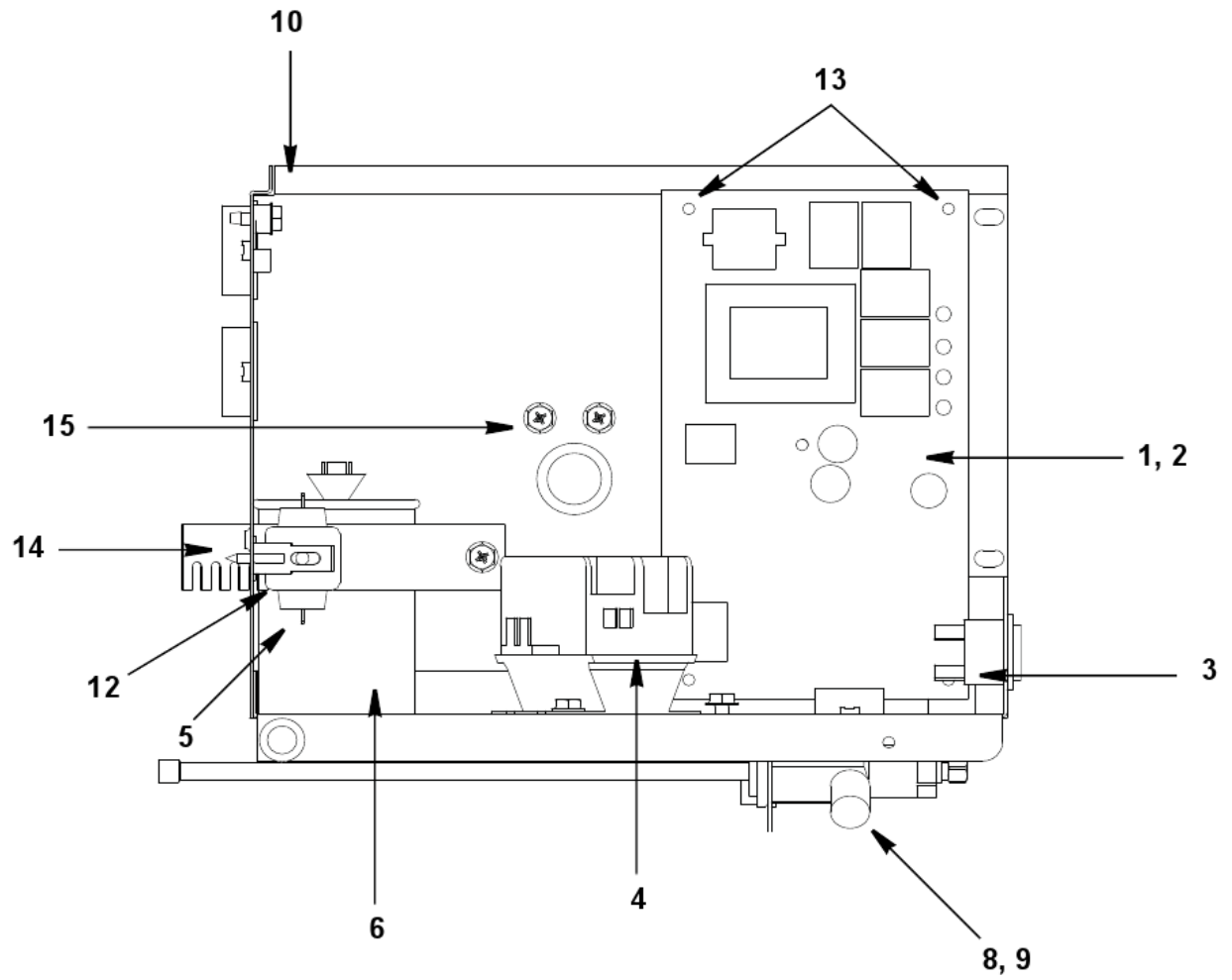
Q Model - Air, Water & Remote

Q1600, JC1895

Q1600 - Control Box Components	1
Q1600 - Evaporator Compartment - Common Components	3
Q1600 - Refrigeration Compartment - Common Components	5
Q1600 - Refrigeration Compartment - Water-cooled Components	7
Q1600 - Refrigeration Compartment - Remote Components	9
Q1600 - Panels	11
JC1895 Remote Condenser Components	13

Q1600, JC1895

Q1600 - CONTROL BOX COMPONENTS



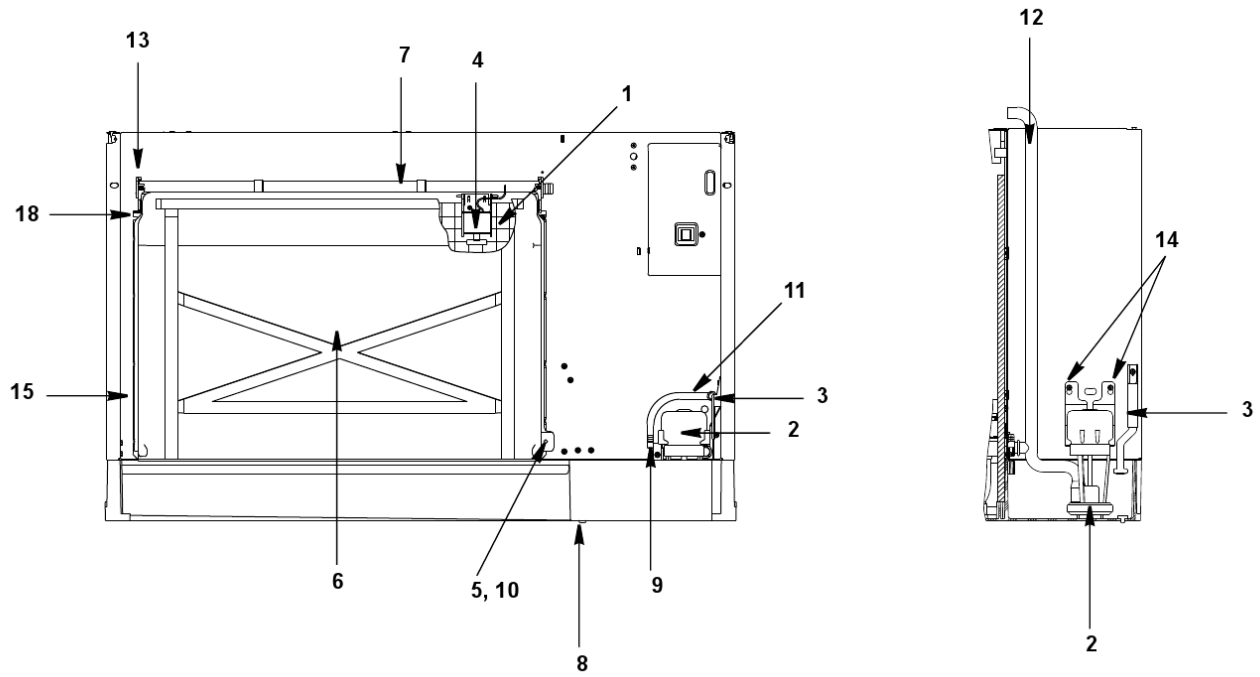
Q1600, JC1895

Q1600 - CONTROL BOX COMPONENTS

#	PART #	DESCRIPTION	QTY	Note
1	7627823	Control Board		
2	2511003	7 Amp Fuse - Mounted on Control Board		
3	2301343	Toggle Switch Only		
3a	2032173	Toggle Switch with Wiring Harness Attached		
4		Contactora		
4a	2410353	Contactora 50-60 Hz/1 Ph		
4b	2006619	Contactora - 230V/60 Hz/3 Ph		
5	8504913	PTCR		
6		Compressor Run Capacitor		
6a	000000028	Run Capacitor - 208-230V/50-60 Hz/1 Ph		
7		Wire Harness Control Box To Bulkhead		
7a	2001663	Wiring Harness - 208-230V/60 Hz/3 Ph		
7b	2001663	Wiring Harness - 208-230V/60 Hz/3 Ph		
8	8373263	Refrigeration Service Valve Assembly		
9	5475039	Locknut - 0.375" - 18 NPS		
10	6025593	Control Box		
11	7628523	Control Box Cover		
12	8504953	PTCR Bracket		
13	4302253	Control Board Mounting Supports		
14	6024951	Capacitor Bracket		
15	5202169	Screw - #10-24 x 0.50" Ground		

Q1600, JC1895

Q1600 - EVAPORATOR COMPARTMENT - COMMON COMPONENTS



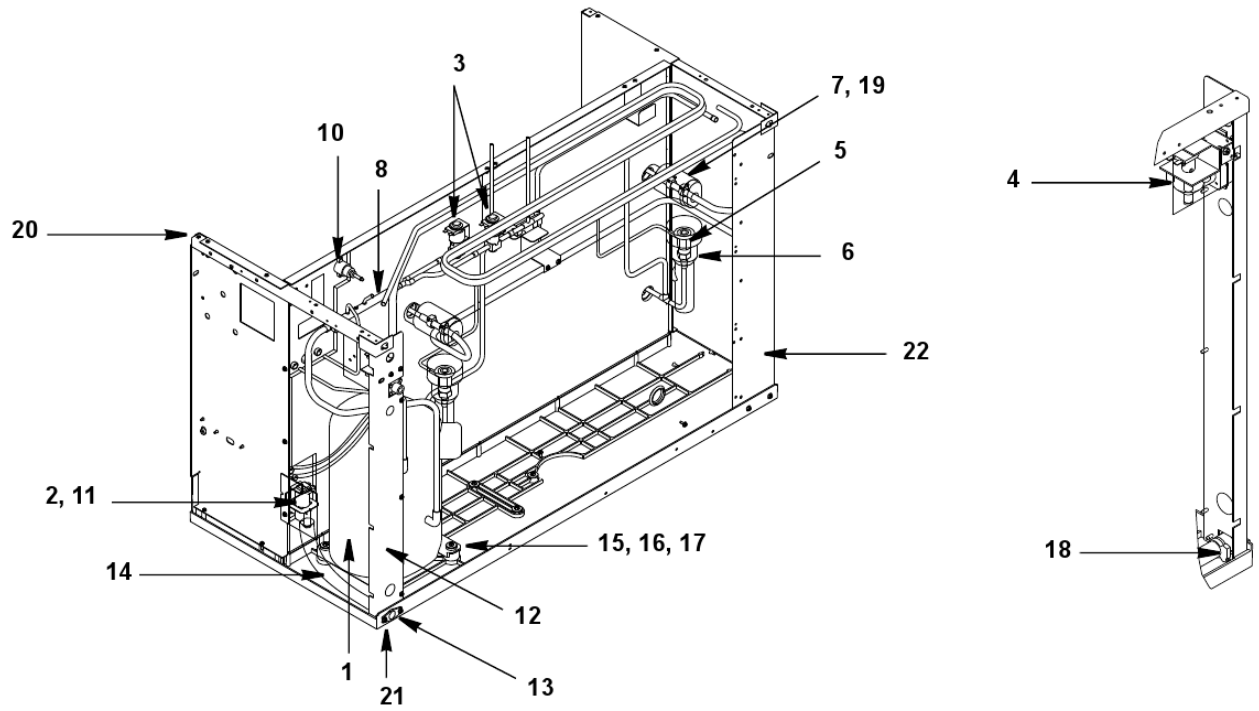
Q1600, JC1895

Q1600 - EVAPORATOR COMPARTMENT - COMMON COMPONENTS

#	PART #	DESCRIPTION	QTY	Note
1		Evaporator Assembly		
1a	7626979	Evaporator - Dice Cube		
1b	7626989	Evaporator - Half Dice Cube		
2	1480279	Water Pump - 208-230V/50-60 Hz		
3	2511293	Water Level Probe		
4	7627813	Ice Thickness Control Probe		
5	2301483	Magnetic Bin Switch		
6	4004743	Water Curtain		
7	4303223	Water Distribution Tube - 48" Models - J/Q		
8	4300629	Water Trough Plug		
9	4303883	Water Inlet Flow Tube		
10	7628023	Water Curtain Magnet and Cap		
11	4421313	Water Inlet Tubing 0.375 ID		
12	4421153	Water Pump Out Tubing		
13	5000013	Thumbscrew - #8-32 x 0.375"		
14	5202069	Screw - #10-24 x 0.50" HEX		
15	5202189	Screw - #10-24 x 0.75"		
16	7628063	Base and Water Trough Repair Kit		
17	7628013	Evaporator Top Molding and Gasket Assembly		
18	7628563	Water Curtain Pin Assembly		

Q1600, JC1895

Q1600 - REFRIGERATION COMPARTMENT - COMMON COMPONENTS



Q1600, JC1895

Q1600 - REFRIGERATION COMPARTMENT - COMMON COMPONENTS

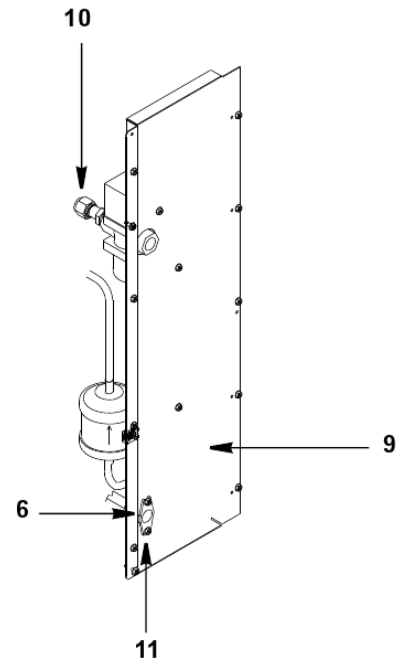
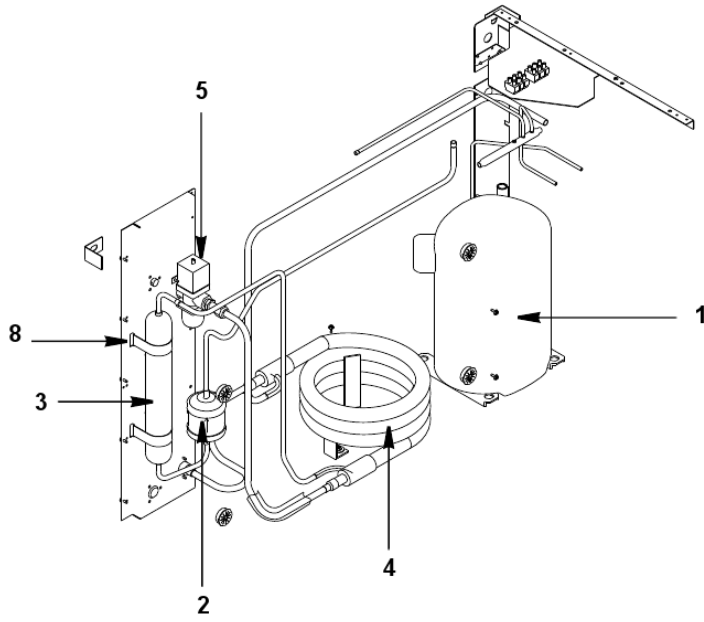
#	PART #	DESCRIPTION	QTY	Note
1		Compressor		
1a	7626873	Compressor - Copeland - 208-230V/60 Hz/1 Ph		
1b	7626883	Compressor - Copeland - 208-230V/60 Hz/3 Ph		
2		Water Dump Valve		
2a	000001768	Water Dump Valve - 208-230V/50-60 Hz		
3		Hot Gas Valve		
3a	7630101	Solenoid Valve with Coil - 230V/50-60 Hz		
3b	2404483	Alco Solenoid Valve Coil Only - 230V/50 Hz		
3c	000005157	Danfoss Solenoid Valve Coil Only - 230V/50-60 Hz		[1]
4		Water Inlet Valve		
4a	000007966	Water Inlet Valve - 208-230V/50-60 Hz		
5	7601593	Expansion Valve		
6	4000363	Valve Insulation Boot - Body		
7	4007203	Valve Insulation Boot - Bulb		[2]
8	8250973	Manifold Strainer		
9	2078103	Water Pump Electrical Wire Lead		
10	2001243	High Pressure Cut-out Control		[3]
11	6015971	Dump Valve Mounting Bracket		
12	6022041	Right Corner Post Weldment		
13	8706083	Female Wing Adapter - 0.50"		
14	4420383	Clear Tubing - 0.625" ID		
15	8503069	Mounting - Rubber Grommet		
16	5573099	Mounting - Flatwasher		
17	5037739	Compressor Mounting Bolt		
18	5650709	Snap Clamp - 0.799"/0.899" ID		
19	5650529	Clamp - Expansion Valve Bulb		
20	5202099	Screw - #10-24 x 0.50" PHIL		
21	5202189	Screw - #10-24 x 0.75"		
22	6045141	Left Corner Post Weldment		
23	2006143	Terminal Block - 50 Hz - 3 Pole		

PART NOTES:

- [1] - \pages from 000005156_02.jpg" width=266 height=183>
- [2] - \pages from 400720_08.jpg" width=923 height=583>
- [3] - Auto Reset

Q1600, JC1895

Q1600 - REFRIGERATION COMPARTMENT - WATER-COOLED COMPONENTS



Q1600, JC1895

Q1600 - REFRIGERATION COMPARTMENT - WATER-COOLED COMPONENTS

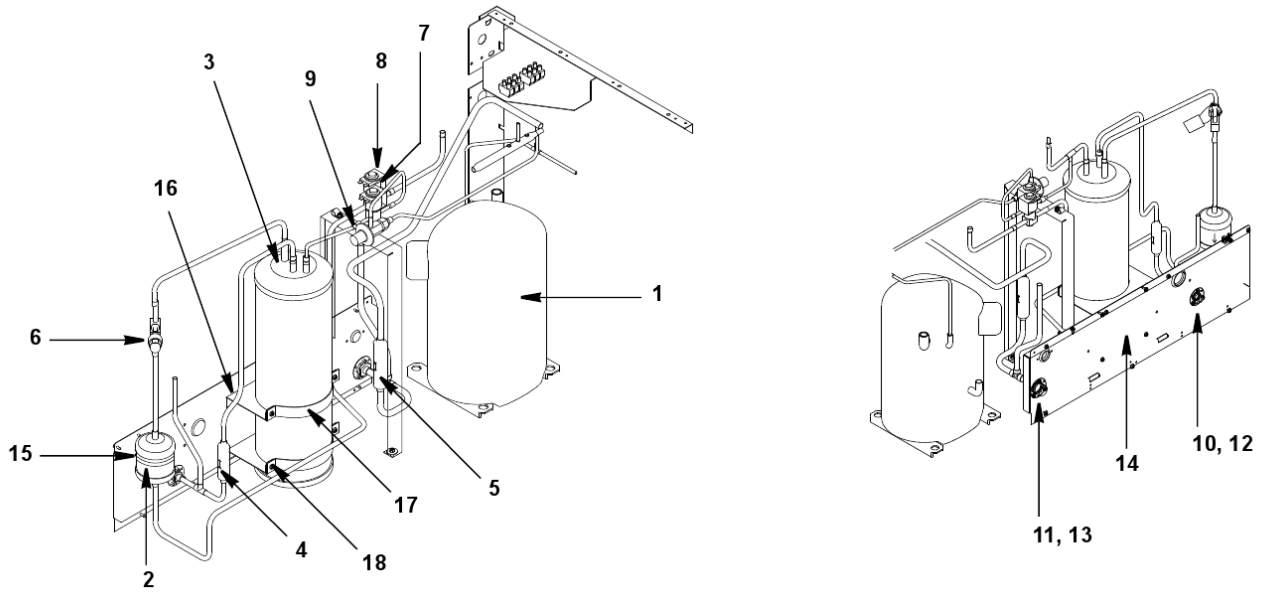
#	PART #	DESCRIPTION	QTY	Note
1		Compressor		[1]
2	8930279	Drier		
3	000008894	Receiver		
4	000001508	Water-Cooled Condenser		
5	8372123	Water Regulating Valve		
6	8706083	Female Wing Adapter - 0.50"		
7		Wiring Harness		
7a	2001793	Wiring Harness - Water-cooled - 230V/60 Hz/1 Ph		
7b	2031963	Wiring Harness - Power - 230V/60 Hz/3 Ph		
8	6000541	Receiver Strap		
9	6019051	Back Panel		
10	8334193	Water Regulating Valve Union		
11	5202069	Screw - #10-24 x 0.50" HEX		

PART NOTES:

[1] - See Common Components

Q1600, JC1895

Q1600 - REFRIGERATION COMPARTMENT - REMOTE COMPONENTS



Q1600, JC1895

Q1600 - REFRIGERATION COMPARTMENT - REMOTE COMPONENTS

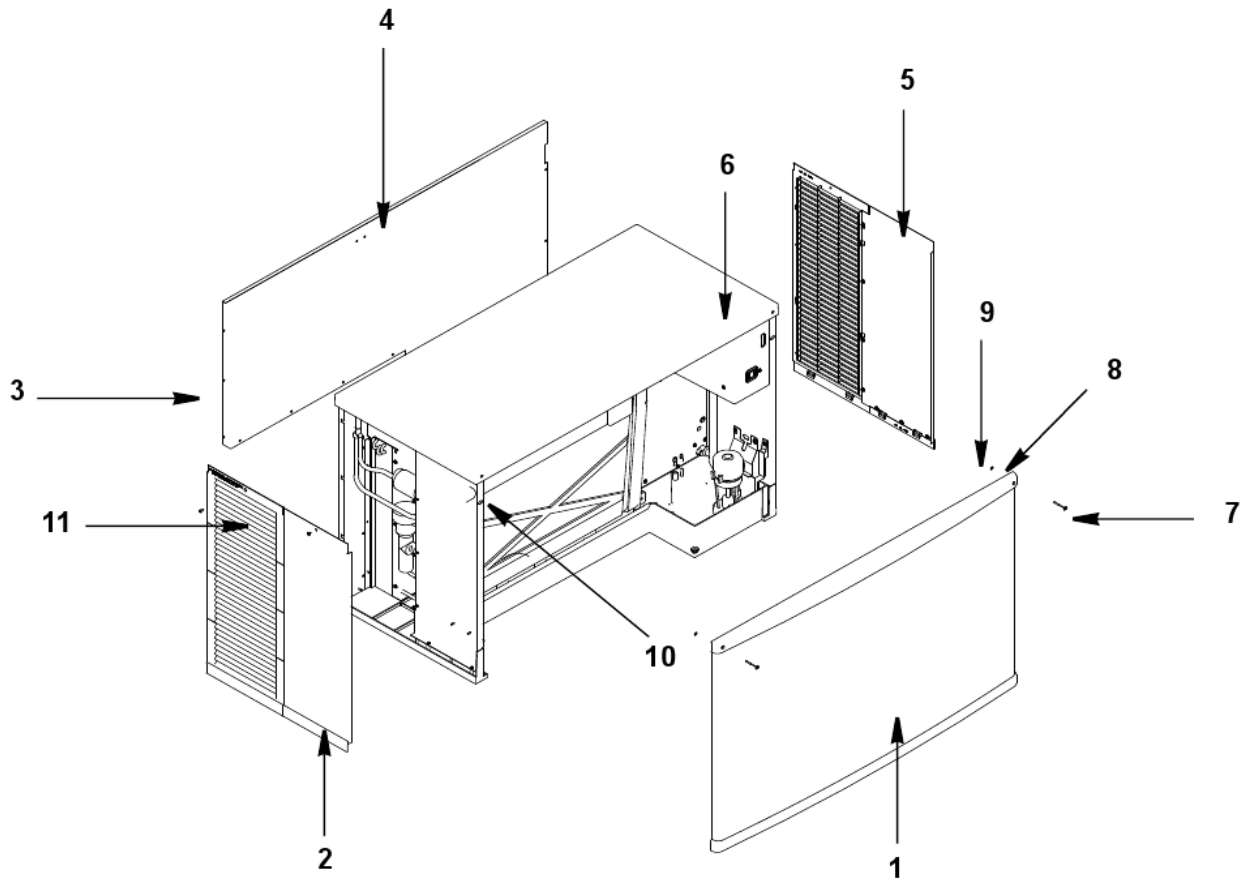
#	PART #	DESCRIPTION	QTY	Note
1		Compressor		[1]
2	8930279	Drier		
3	7629583	Receiver		
4	8373149	Magni-Check Valve - 0.375"		
5	8373159	Magni-Check Valve - 0.5"		
6	8373169	Receiver Service Valve		
6a	5650753	Caps for Refrigeration Service Valve		
7		Harvest Pressure Regulating Solenoid Valve		
7a	7630061	Solenoid Valve with Coil - 208-230V/50-60 Hz		
7b	000005157	Danfoss Solenoid Valve Coil Only - 230V/50-60 Hz		[2]
7c	2404483	Alco Solenoid Valve Coil Only - 230V/50 Hz		
8		Liquid Line Solenoid (LLS) Valve		
8a	7630101	Solenoid Valve with Coil - 230V/50-60 Hz		
8b	2404483	Alco Solenoid Valve Coil Only - 230V/50 Hz		
9	8367793	Harvest Pressure Regulating Valve		
10	8360343	Coupling - Male - 5/8-18		
11	8360353	Coupling - Male - 1-1/6-12		
12	8360053	Coupling Mounting Flange for 5/8-18		
13	8360063	Coupling Mounting Flange for 1-1/16-12		
14	6019051	Back Panel		
15	5650359	Drier Plastic Tie		
16	6000561	Receiver Mounting Bracket		
17	6307214	Receiver Mounting Strap		
18	5202069	Screw - #10-24 x 0.50" HEX		

PART NOTES:

- [1] - Refer to COMMON PARTS
- [2] - \pages from 000005156_02.jpg" width=266 height=183>

Q1600, JC1895

Q1600 - PANELS



Q1600, JC1895

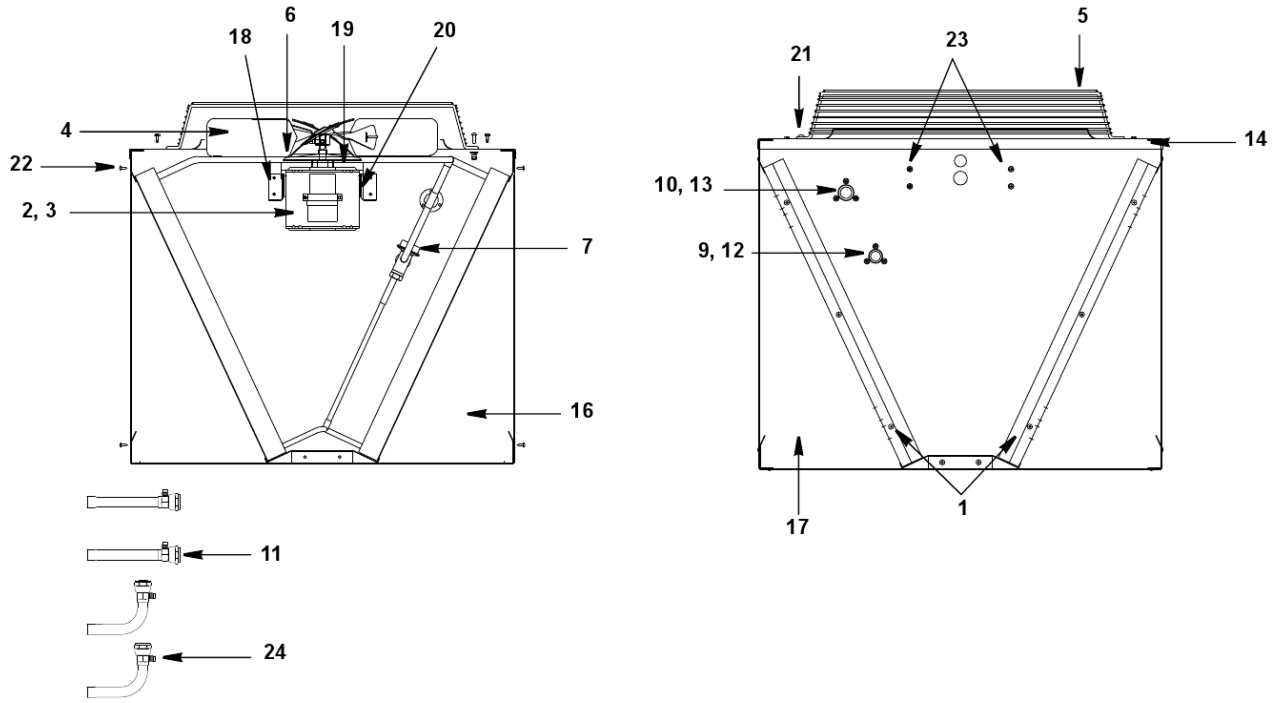
Q1600 - PANELS

#	PART #	DESCRIPTION	QTY	Note
1	7628793	Front Panel Assembly		
2	7628593	Left Side Panel		
3	6025991	Back Panel, Water		
4	6026071	Back Panel, Remote		
5	7628603	Right Side Panel		
6	4303323	Top Cover		
7	5119019	Screw - #8 x 1.75"		[1]
8	5573389	Washer - Nylon 0.171" x 0.38"		[1]
9	5648279	Screw Retainer - Nylon #8		[1]
10	5473039	Speed Nut Assembly to Mount Front Cover		[1]
11	5202099	Screw - #10-24 x 0.50" PHIL		
12	9202509	Extruded Tape		

PART NOTES:

[1] - Items 7, 8, 9 and 10 can be ordered as assembly 7628983.

JC1895 REMOTE CONDENSER COMPONENTS



Q1600, JC1895

JC1895 REMOTE CONDENSER COMPONENTS

#	PART #	DESCRIPTION	QTY	Note
1	8850899	Air Condenser		[1]
2	7629413	Fan Motor - 208-230V/50-60 Hz/1 Ph		
3	8504583	Fan Motor Run Capacitor		[2]
3		Fan Motor Run Capacitor		[3]
4	2416113	Fan Blade		
5	3400643	Fan Guard		
6	2415053	Rain Slinger		
7	000004070	Head Pressure Control Valve		
8	000008040	Terminal Block - 3 Pole		
9	8360343	Coupling - Male - 5/8-18		
10	8360353	Coupling - Male - 1-1/6-12		
11		Female Line Set Coupling Kit		[4]
		Miscellaneous - Brackets, Screws, etc.		
12	8360063	Coupling Mounting Flange for 1-1/16-12		[5]
13	8360053	Coupling Mounting Flange for 5/8-18		[6]
14	6017891	Top Cover		
15		Intentionally Left Blank		
16	6017881	Panel - Rear		
17	6017871	Panel - Front		
18	6017681	Fan Motor Mounting Bracket		
19	6017761	Electrical Box Cover		
20	5035659	Fan Motor Mounting Screw		
20a	5573099	Mounting - Flatwasher		
20b	5573139	Mounting - Lockwasher		
20c	5429759	Mounting - Hexnut		
21	5033459	Screw - 1/4-20 x 0.625"		
21a	5573049	Flatwasher		
21b	5545119	Mounting - Lockwasher		
21c	5429529	Mounting - Hexnut		
22	5121539	Panel/Condenser Mounting Screw - #8 x 0.50"		
22a	5544599	Panel/Condenser Mounting Lockwasher		
23	5202069	Screw - #10-24 x 0.50" HEX		
24	7626843	Valve Cores		
25	6017691	Legs		

PART NOTES:

- [1] - uses two
- [2] - Emerson
- [3] - No Longer Available Magnatec
- [4] - Sales K0129 Sold as Finished Goods Sales Kit
- [5] - for 5/8-18
- [6] - for 1-1/16-12