



Manitowoc
Foodservice
Parts Manual

For more Parts Information:

<https://manitowocfsg.sysonline.com/Default.aspx>

TABLE OF CONTENTS

Manitowoc Foodservice [Updated: Sep. 30, 2013]

Manitowoc - Ice & Related

Parts Catalog

Ice Machine

Q Series

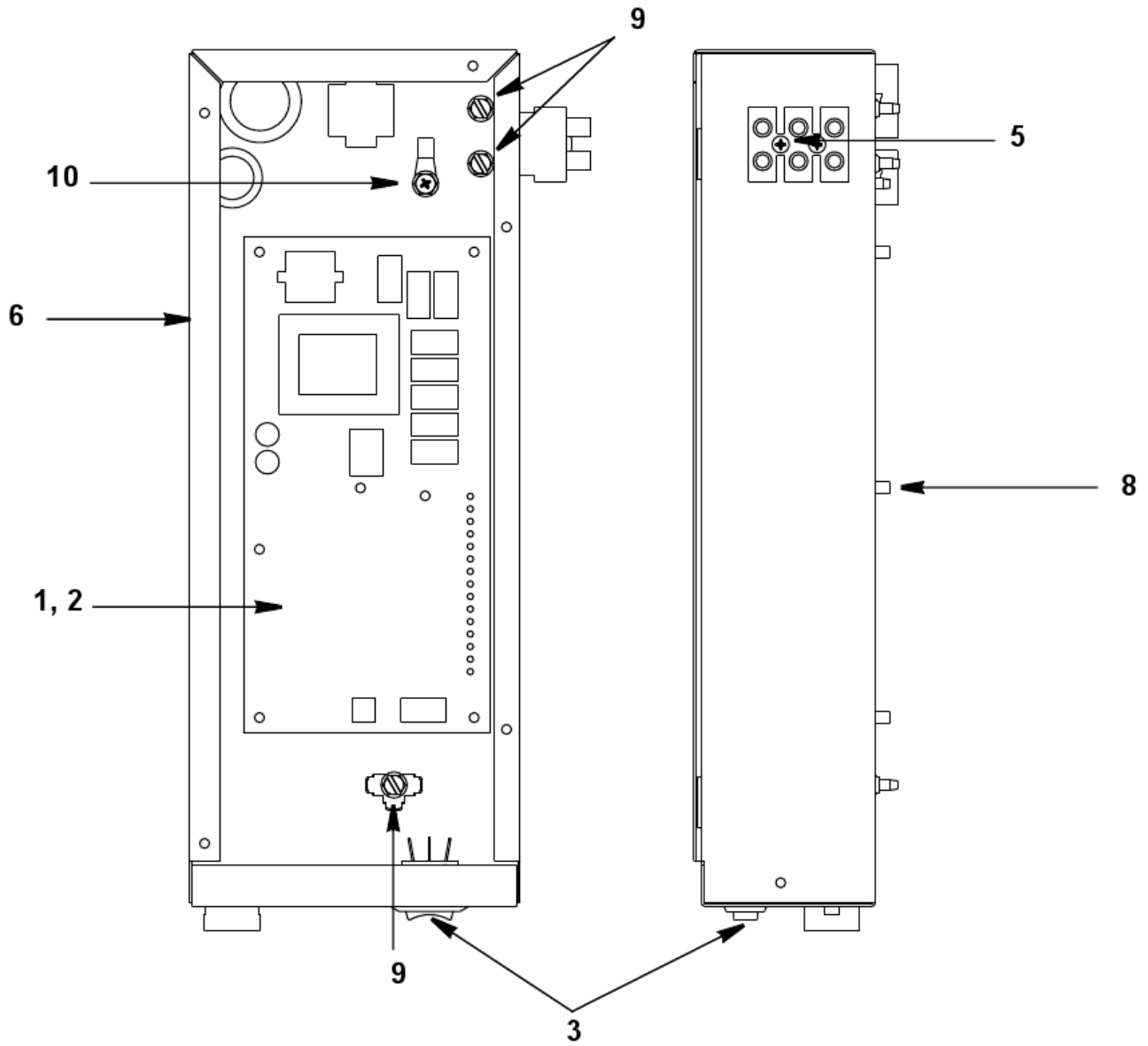
Q Model - QuietQube

QDUALC, CVD1875, CVD2075

QDUALC - Control Box Components	1
QDUALC - Evaporator Compartment - Common Components	3
QDUALC - Refrigeration Compartment - Common Components (Right Side View)	5
QDUALC - Refrigeration Compartment - Common Components (Left Side View)	7
QDUALC - Head Section - Panels	9
CVD1875 - Condensing Unit - Control Box Components	11
CVD1875 - Condensing Unit - Refrigeration Components	13
CVD2075 - Condensing Unit - Control Box Components	15
CVD2075 - Condensing Unit - Refrigeration Components	17
CVD1875/CVD2075 - Condensing Unit - Panels	19

QDUALC, CVD1875, CVD2075

QDUALC - CONTROL BOX COMPONENTS



QDUALC, CVD1875, CVD2075

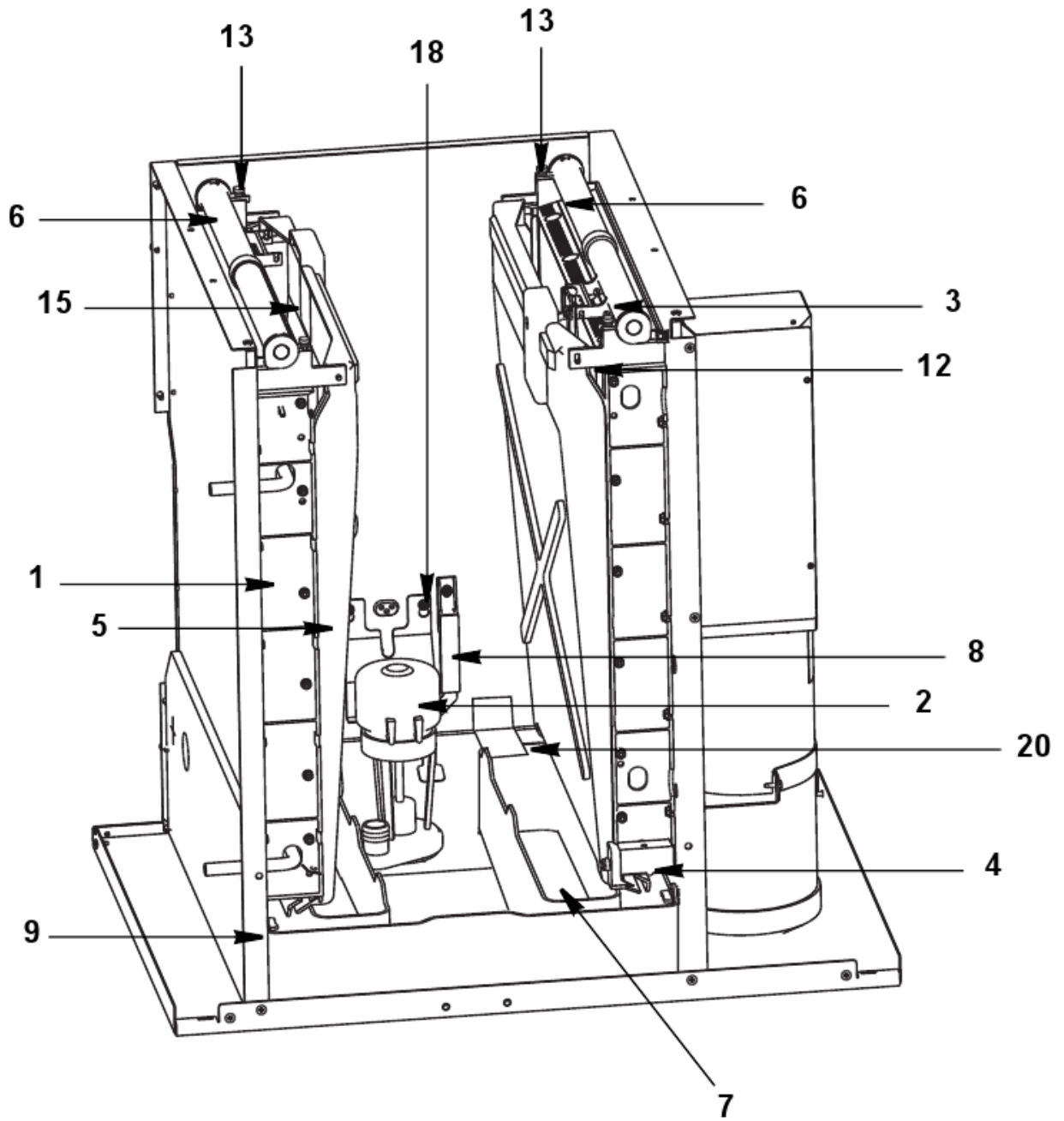
QDUALC - CONTROL BOX COMPONENTS

#	PART #	DESCRIPTION	QTY	Note
1	7601203	Control Board		
2	2511003	7 Amp Fuse - Mounted on Control Board		
3	2301513	Toggle Switch		
3a	2000123	Wiring Harness for Toggle Switch		
4		Wiring Harness		
4a	2000143	Control Box Wiring Harness - 115V/60 Hz/1 Ph		
4b	2000173	Control Box Wiring Harness - 230V/50 Hz/1 Ph		
4c	2001823	Wiring Harness - Refrigeration Compartment - 115-230V/50-60 Hz/1 Ph		
5	2006143	Terminal Block - 50 Hz - 3 Pole		[1]
6	6039881	Control Box		
7	6039891	Control Box Cover		
8	4302253	Control Board Mounting Supports		
9	5202169	Screw - #10-24 x 0.50" Ground		
10	5202069	Screw - #10-24 x 0.50" HEX		

PART NOTES:

[1] - 50 Hz Only

QDUALC - EVAPORATOR COMPARTMENT - COMMON COMPONENTS



QDUALC, CVD1875, CVD2075

QDUALC - EVAPORATOR COMPARTMENT - COMMON COMPONENTS

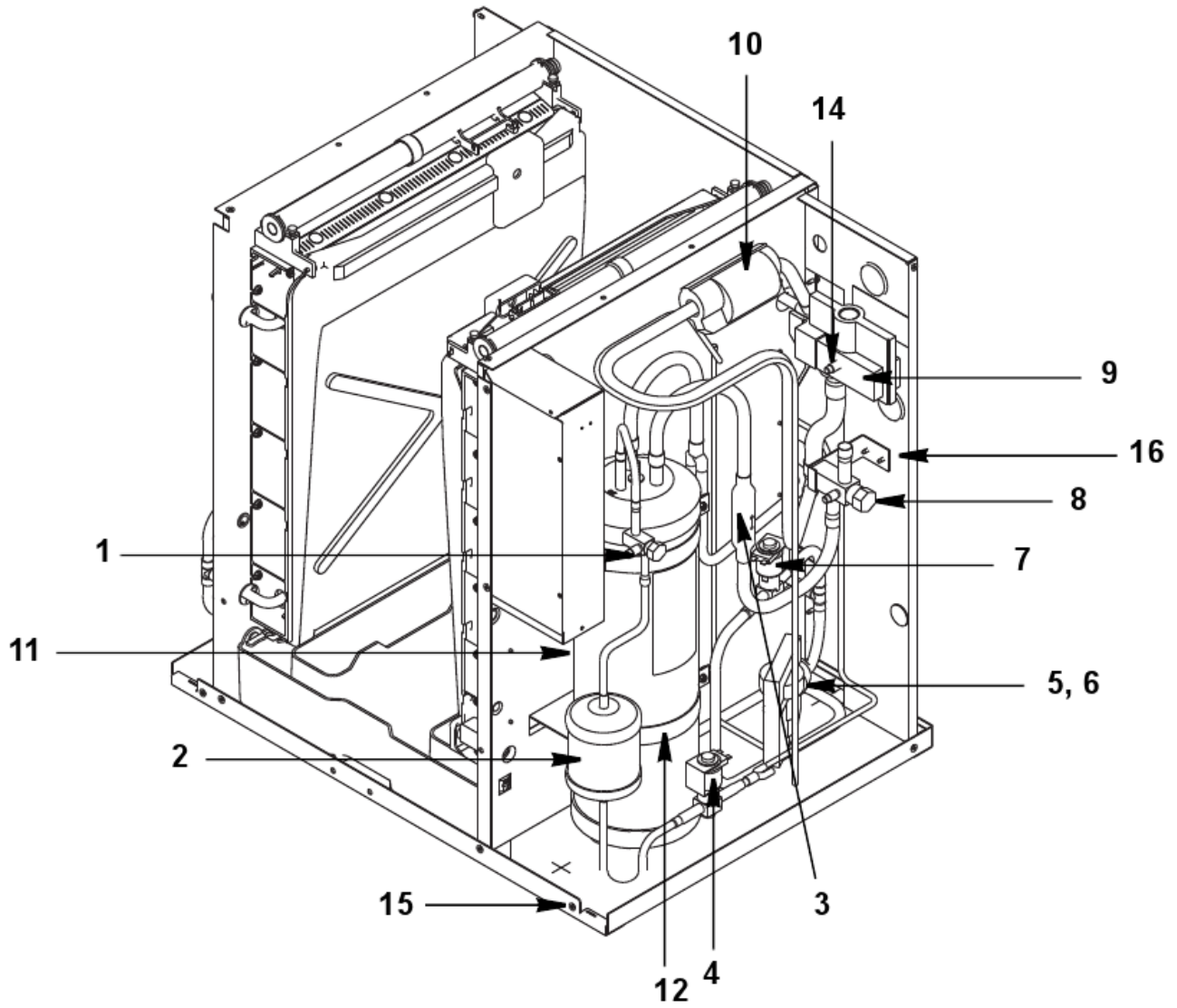
#	PART #	DESCRIPTION	QTY	Note
1		Evaporator Assembly		
1a	7625019	Evaporator - Regular Cube		
1b	7625029	Evaporator - Dice Cube		
1c	7625039	Evaporator - Half Dice Cube		
2		Water Pump		
2a	7623063	Water Pump - 115V/60 Hz		
2b	1480279	Water Pump - 208-230V/50-60 Hz		
3	7627813	Ice Thickness Control Probe		
4	2301483	Magnetic Bin Switch		
5	4005233	Water Curtain		
6	7624983	Water Distribution Tube - B/J/Q		
7	4005153	Water Trough		
8		Water Level Probe		
8a	7602933	Water Level Probe - Before serial number 040260338		
8b	2006543	Water Level Probe - After serial number 040260338		
9	5650863	Wing Nut		[1]
10	5650853	Receptacle		[2]
11	4300629	Water Trough Plug		
12	7627763	Water Curtain Pin Assembly		
13	5000013	Thumbscrew - #8-32 x 0.375"		
14	7620543	Water Flow Clamp - Use on Regular Cube Evap. Only		
15	7626213	Evaporator Top Molding and Gasket Assembly		
16	6050961	Water Inlet Fitting Bracket/Curtain Stop		
17	7628023	Water Curtain Magnet and Cap		
18	5202069	Screw - #10-24 x 0.50" HEX		
19	4000213	Vinyl Tube - Water Pump to Distribution Tubes		
19a	8390053	Union Connector		
20	7600883	Trough Protectors		
21	4000313	Water Inlet Tube		[3]
22	2006553	Water Level Probe Holder for 2006543 Water Level Probe		
23	2007983	Water Level Probe Wire for 2006543 Water Level Probe		

PART NOTES:

- [1] - Male
- [2] - Female
- [3] - Discontinued

QDUALC, CVD1875, CVD2075

QDUALC - REFRIGERATION COMPARTMENT - COMMON COMPONENTS (RIGHT SIDE VIEW)



QDUALC, CVD1875, CVD2075

QDUALC - REFRIGERATION COMPARTMENT - COMMON COMPONENTS (RIGHT SIDE VIEW)

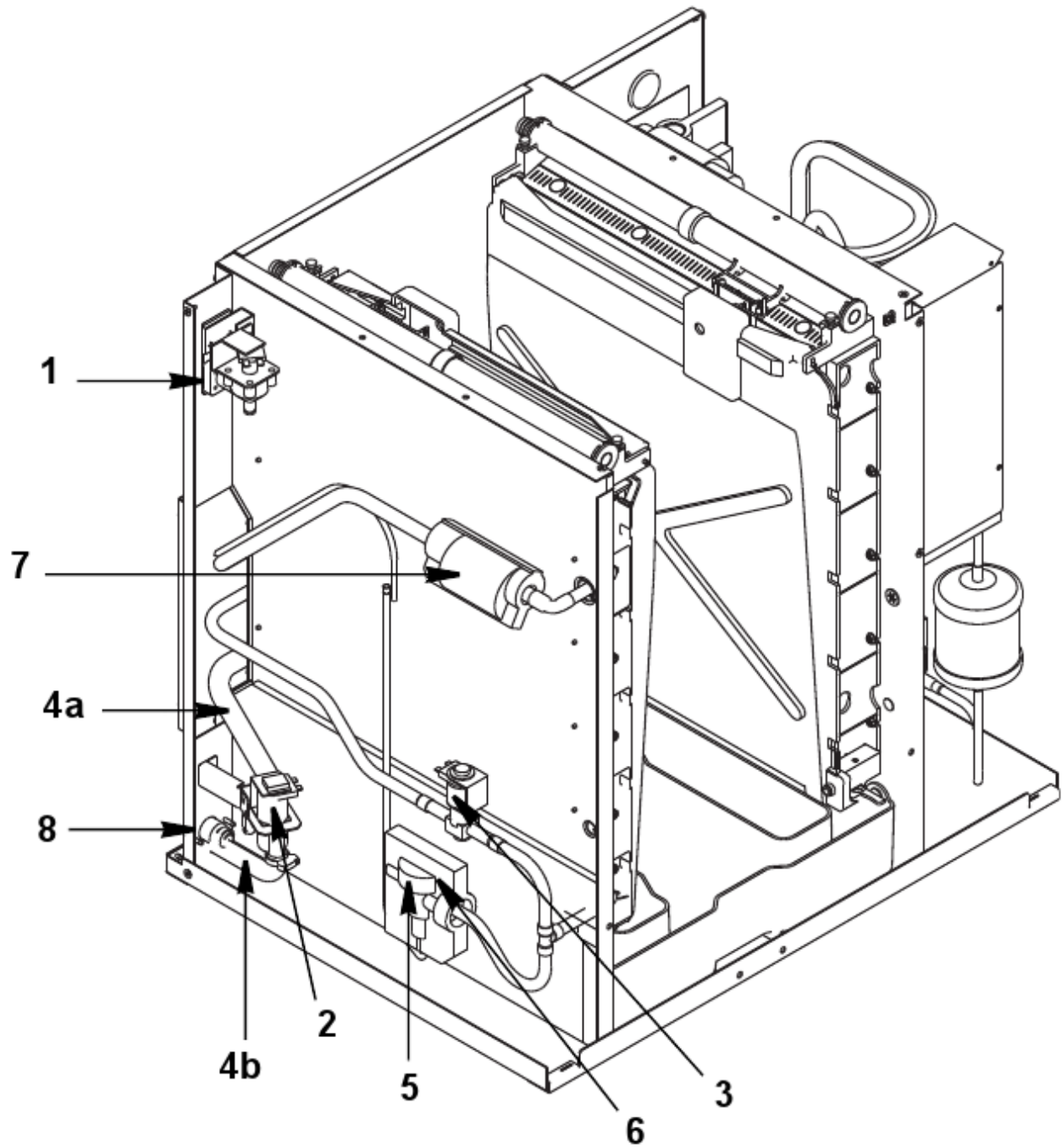
#	PART #	DESCRIPTION	QTY	Note
1	8373169	Receiver Service Valve		
1a	5650753	Caps for Refrigeration Service Valve		
2	8250163	Drier		
3	000001290	Check Valve		
4		Liquid Line Solenoid Valve		
4a	2405253	Danfoss Solenoid Valve Assembly 115V/60 Hz/1 Ph		
4b	000005156	Danfoss Solenoid Valve Coil Only - 115V/60 Hz		[1]
4c	2404363	Alco Solenoid Valve Coil Only - 115V/60 Hz		
4d	2404953	Danfoss Solenoid Valve Assembly - 208-230V/50-60 Hz/1 Ph		
4e	000005157	Danfoss Solenoid Valve Coil Only - 230V/50-60 Hz		[2]
4f	2404483	Alco Solenoid Valve Coil Only - 230V/50 Hz		
5	7600543	Expansion Valve		
6	4000403	Valve Insulation Boot - Body		
7		Cool Vapor Valve		
7a	2405373	Danfoss Solenoid Valve - 115V/60 Hz		
7b	000005156	Danfoss Solenoid Valve Coil Only - 115V/60 Hz		[1]
7c	2404363	Alco Solenoid Valve Coil Only - 115V/60 Hz		
7d	2405363	Danfoss Solenoid Valve 208-230V/50-60 Hz		
7e	000005157	Danfoss Solenoid Valve Coil Only - 230V/50-60 Hz		[2]
7f	2404483	Alco Solenoid Valve Coil Only - 230V/50 Hz		
8	8373303	Manual Shut-Off Valve - Suction Line		
9	8250223	Suction Shut-off Valve		
10	4007203	Valve Insulation Boot - Bulb		[3]
11	7629603	Receiver		
12	6000561	Receiver Mounting Bracket		[4]
13	6036721	Bracket - 1/2" Valve		
14	6036261	Bracket - 3/4" Valve		
15	5202099	Screw - #10-24 x 0.50" PHIL		
16	4000283	Liquid Line Shut-off Valve Insulation		
17	4000283	Liquid Line Shut-off Valve Insulation		

PART NOTES:

- [1] - \pages from 000005156_02.jpg" width=280 height=256>
- [2] - \pages from 000005156_02.jpg" width=266 height=183>
- [3] - \pages from 400720_08.jpg" width=923 height=583>
- [4] - Interchangeable Top or Bottom

QDUALC, CVD1875, CVD2075

DUALC - REFRIGERATION COMPARTMENT - COMMON COMPONENTS (LEFT SIDE VIEW)



QDUALC, CVD1875, CVD2075

DUALC - REFRIGERATION COMPARTMENT - COMMON COMPONENTS (LEFT SIDE VIEW)

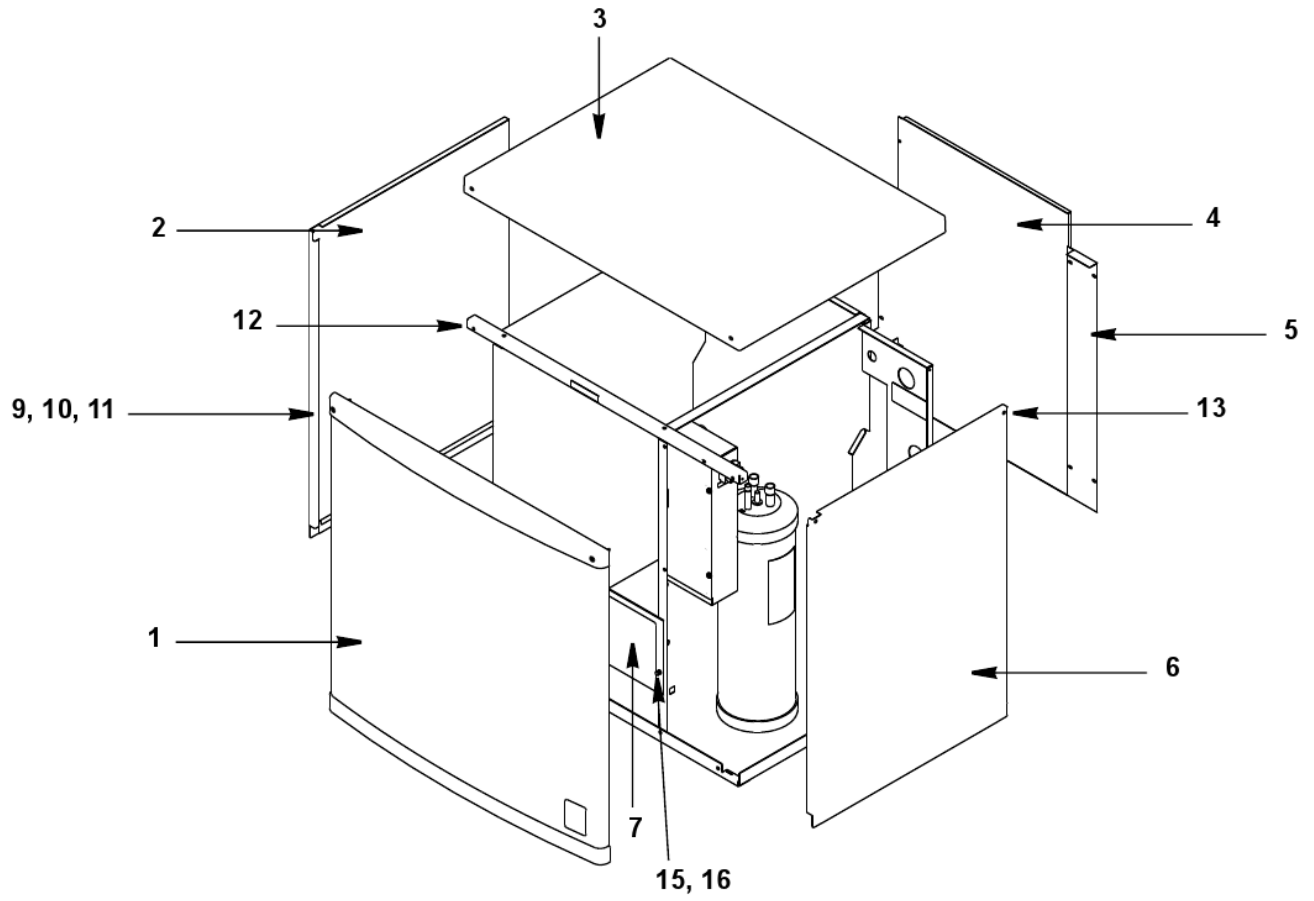
#	PART #	DESCRIPTION	QTY	Note
1		Water Inlet Valve		
1a	2400003	Water Inlet Valve - 115V/60 Hz		
1b	2400013	Water Inlet Valve - 220-240V/50 Hz		
2		Dump Valve		
2a	000001767	Water Dump Valve - 115V/60 Hz		
2b	000001768	Water Dump Valve - 208-230V/50-60 Hz		
3		Cool Vapor Valve		
3a	2405373	Danfoss Solenoid Valve - 115V/60 Hz		
3b	2405363	Danfoss Solenoid Valve 208-230V/50-60 Hz		
4		Dump Valve Tubing		
4a	4012713	Tubing - Water Pump to Dump Valve		
4b	4000223	Tubing - Dump Valve to Female Adapter		
4c	8390053	Union Connector		
5	7600543	Expansion Valve		
6	4000403	Valve Insulation Boot - Body		
7	4007203	Valve Insulation Boot - Bulb		[1]
8	8706083	Female Wing Adapter - 0.50"		

PART NOTES:

[1] - \pages from 400720_08.jpg" width=923 height=583>

QDUALC, CVD1875, CVD2075

QDUALC - HEAD SECTION - PANELS



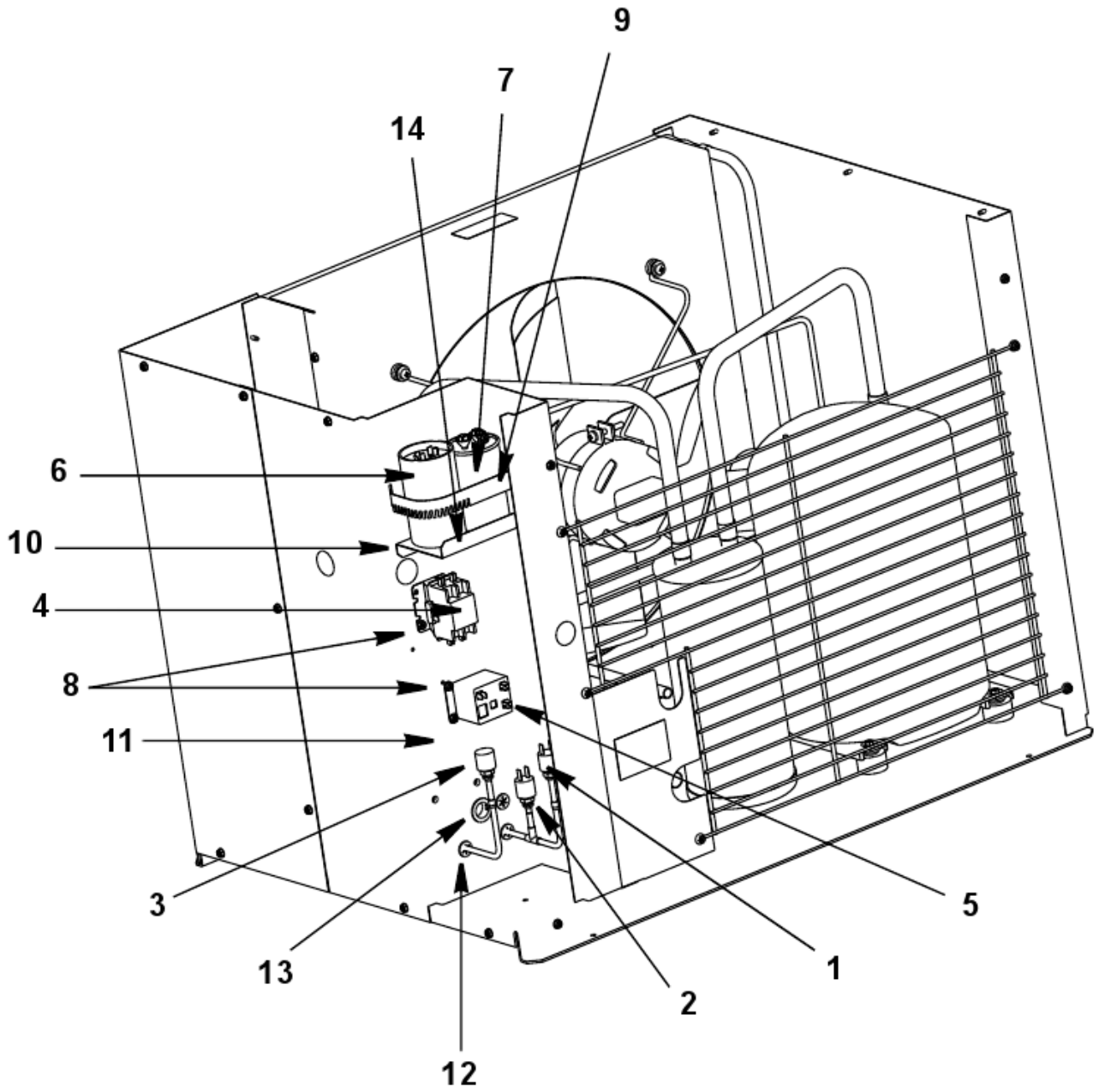
QDUALC, CVD1875, CVD2075

QDUALC - HEAD SECTION - PANELS

#	PART #	DESCRIPTION	QTY	Note
1	7600553	Front Panel Assembly		
2	6039871	Left Side Panel		
3	4303313	Top Cover		
4	6063761	Back Panel		
5	6039931	Back Coupling Panel		
6	6039861	Right Side Panel		
7	4009663	Water Splash Shield		
8	6040181	Left Corner Post		
9	5119019	Screw - #8 x 1.75"		
10	5573389	Washer - Nylon 0.171" x 0.38"		
11	5648279	Screw Retainer - Nylon #8		
12	5473039	Speed Nut Assembly to Mount Front Cover		
13	5202099	Screw - #10-24 x 0.50" PHIL		
14	9202509	Extruded Tape		
15	5651053	Nylatch Fastener Grommet		
16	5651063	Nylatch Fastener Plunger		

QDUALC, CVD1875, CVD2075

CVD1875 - CONDENSING UNIT - CONTROL BOX COMPONENTS



QDUALC, CVD1875, CVD2075

CVD1875 - CONDENSING UNIT - CONTROL BOX COMPONENTS

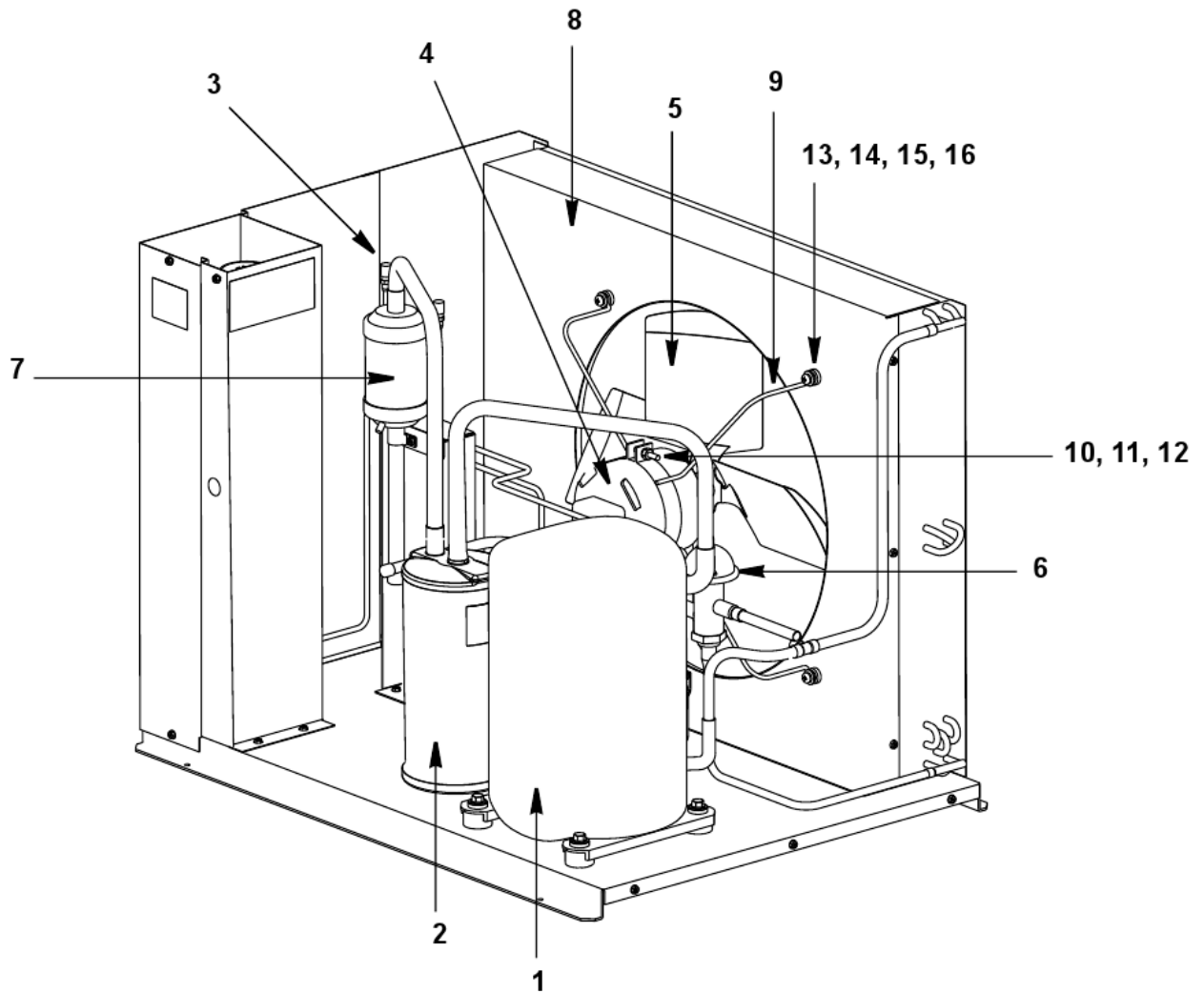
#	PART #	DESCRIPTION	QTY	Note
1	2001263	Fan Cycling Control - 200-250 psig		[1]
2	2001243	High Pressure Cut-out Control		
3	2002229	Low Pressure Cut-out Control		
4		Contactator		
4a	2006609	Contactator - 208-230V/50-60 Hz/1 Ph		
4b	2006619	Contactator - 230V/60 Hz/3 Ph		
		Start Components Copeland		
5	2007569	Start Relay - 208-230V/60 Hz/1 Ph		
5a	2007539	Start Potential Relay - 230V/50-60 Hz/1 Ph		
6	000006455	Start Capacitor 60 Hz/1 Ph		
7	000000028	Run Capacitor - 208-230V/50-60 Hz/1 Ph		
7a	8504493	Run Capacitor - 230V/50 Hz/1 Ph		
8	5202069	Screw - #10-24 x 0.50" HEX		
9	6021601	Capacitor Mounting Strap		
10	6034981	Capacitor Mounting Bracket		
11	5202169	Screw - #10-24 x 0.50" Ground		
12	2500169	Bushing - 0.91" OD x 0.44" ID		
13	2500029	Bushing - 1.125" OD x 0.75" ID		
14	2006143	Terminal Block - 50 Hz - 3 Pole		
15		Wiring Harness		
15a	2033073	Wiring Harness - 230V/60 Hz/1 Ph		
15b	2033223	Wiring Harness - 230V/50 Hz/1 Ph		

PART NOTES:

[1] - \pages from 200126_09.jpg" width=150 height=306>

QDUALC, CVD1875, CVD2075

CVD1875 - CONDENSING UNIT - REFRIGERATION COMPONENTS

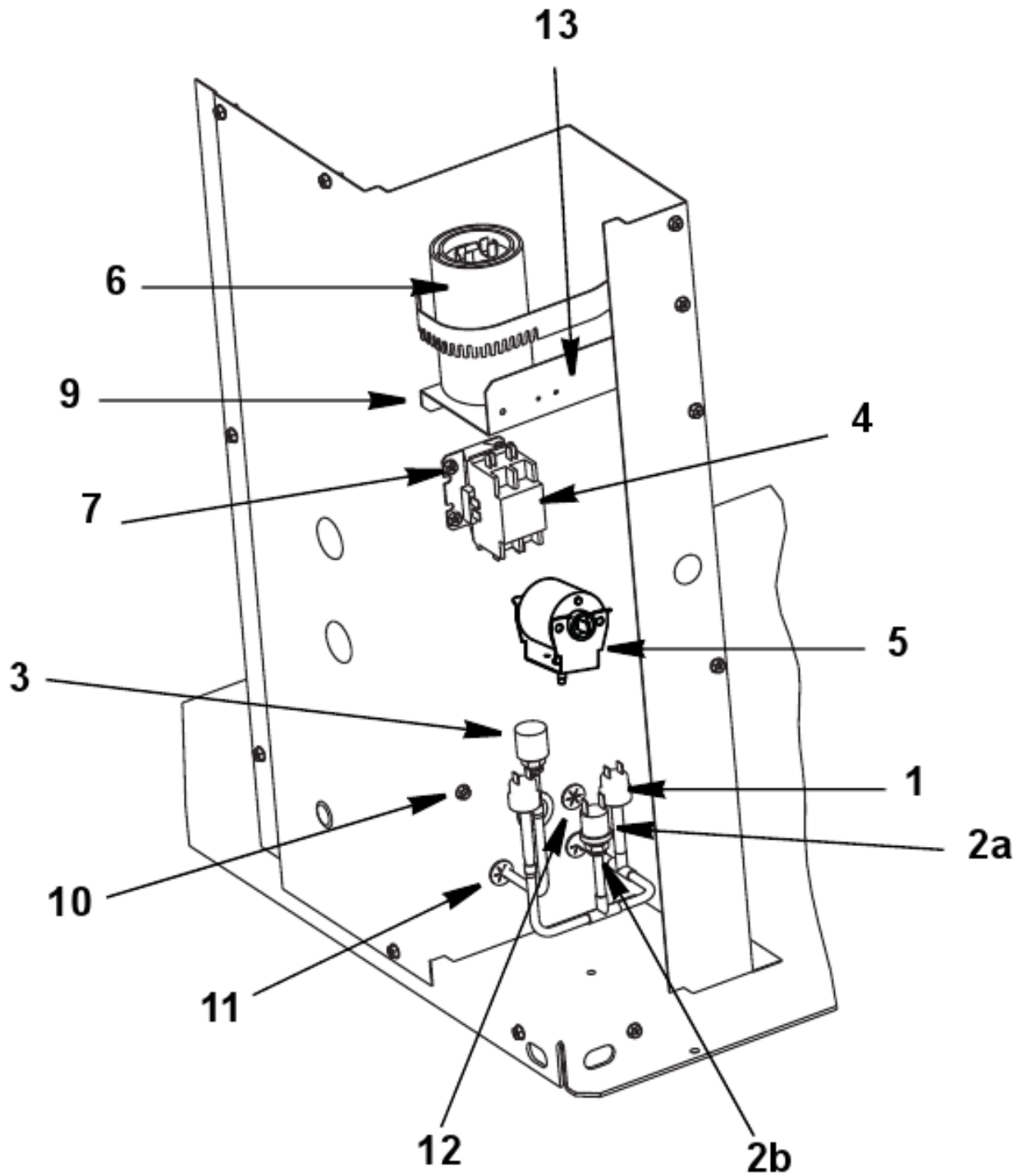


QDUALC, CVD1875, CVD2075

CVD1875 - CONDENSING UNIT - REFRIGERATION COMPONENTS

#	PART #	DESCRIPTION	QTY	Note
1		Compressor		
1a	7600563	Compressor 208-230V/60 Hz/1 Ph		
1b	7600573	Compressor 208-230V/60 Hz/3 Ph		
1c	7600583	Compressor 220-240V/50 Hz/1 Ph		
2	8900043	Accumulator		
3	8373253	Access Valve		
4		Fan Motor		
4a	2000189	Fan Motor - 208-230V/60 Hz/1-3 Ph		
4b	8250083	Fan Blade		
5	8851493	Air Condenser		
6	000003190	Head Pressure Control Valve		
7	8250559	Suction Line Filter		
8	6038691	Fan Shroud		
9	3006833	Fan Motor Mounting Bracket		
10	5033589	Mounting - Screw		
11	5545119	Mounting - Lockwasher		
12	5429529	Mounting - Hexnut		
13	5033589	Mounting - Screw		
14	5545119	Mounting - Lockwasher		
15	5573059	Mounting - Flatwasher		
16	5429559	Mounting - Rubber Wellnut		

CVD2075 - CONDENSING UNIT - CONTROL BOX COMPONENTS



QDUALC, CVD1875, CVD2075

CVD2075 - CONDENSING UNIT - CONTROL BOX COMPONENTS

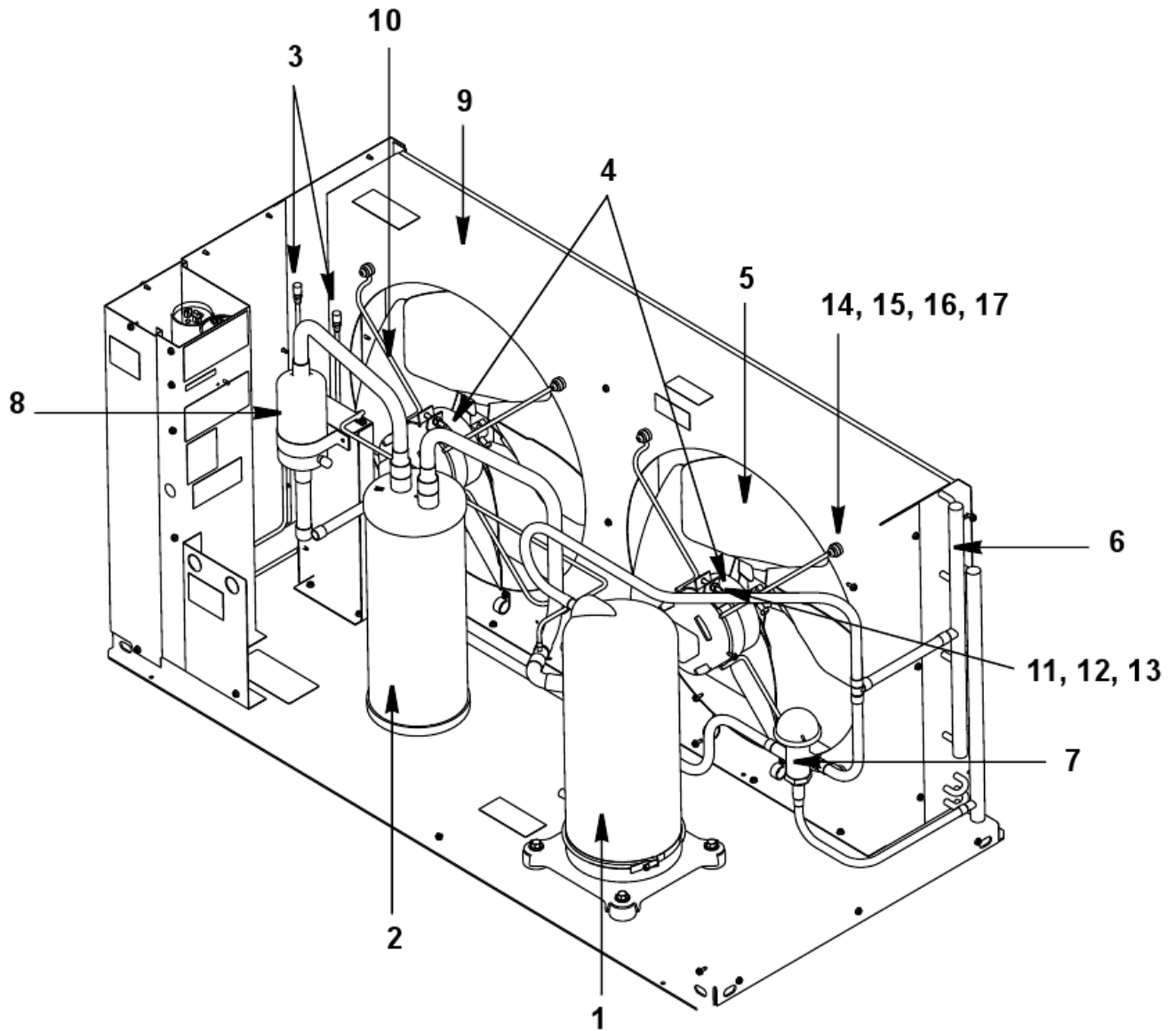
#	PART #	DESCRIPTION	QTY	Note
1	2001243	High Pressure Cut-out Control		
2		Fan Cycling Control		
2a	2001273	Fan Cycling Control - 225-275 psig		[1]
2b	2001263	Fan Cycling Control - 200-250 psig		[2]
3	2002229	Low Pressure Cut-out Control		
4		Contactator		
4a	000008857	Contactator 208-230V/60 Hz/1 Ph		
4b	2006619	Contactator - 230V/60 Hz/3 Ph Start Components Copeland		
5	000006527	PTCR Kit		
6		Run Capacitor		
6a	8250243	Run Capacitor - 208-230V/60 Hz/1 Ph		
6b	8504493	Run Capacitor - 230V/50 Hz/1 Ph		
7	5202069	Screw - #10-24 x 0.50" HEX		
8	6021601	Capacitor Mounting Strap		
9	6034981	Capacitor Mounting Bracket		
10	5202169	Screw - #10-24 x 0.50" Ground		
11	2500169	Bushing - 0.91" OD x 0.44" ID		
12	2500029	Bushing - 1.125" OD x 0.75" ID		
13	2006143	Terminal Block - 50 Hz - 3 Pole		
14		Wiring Harness		
14a	2000249	Wiring Harness - 208-230V/60 Hz/1 Ph		
14b	2000593	Wiring Harness - 230V/50 Hz/1 Ph		

PART NOTES:

- [1] - \pages from 200126_09.jpg" width=170 height=228>
- [2] - \pages from 200126_09.jpg" width=150 height=306>

QDUALC, CVD1875, CVD2075

CVD2075 - CONDENSING UNIT - REFRIGERATION COMPONENTS



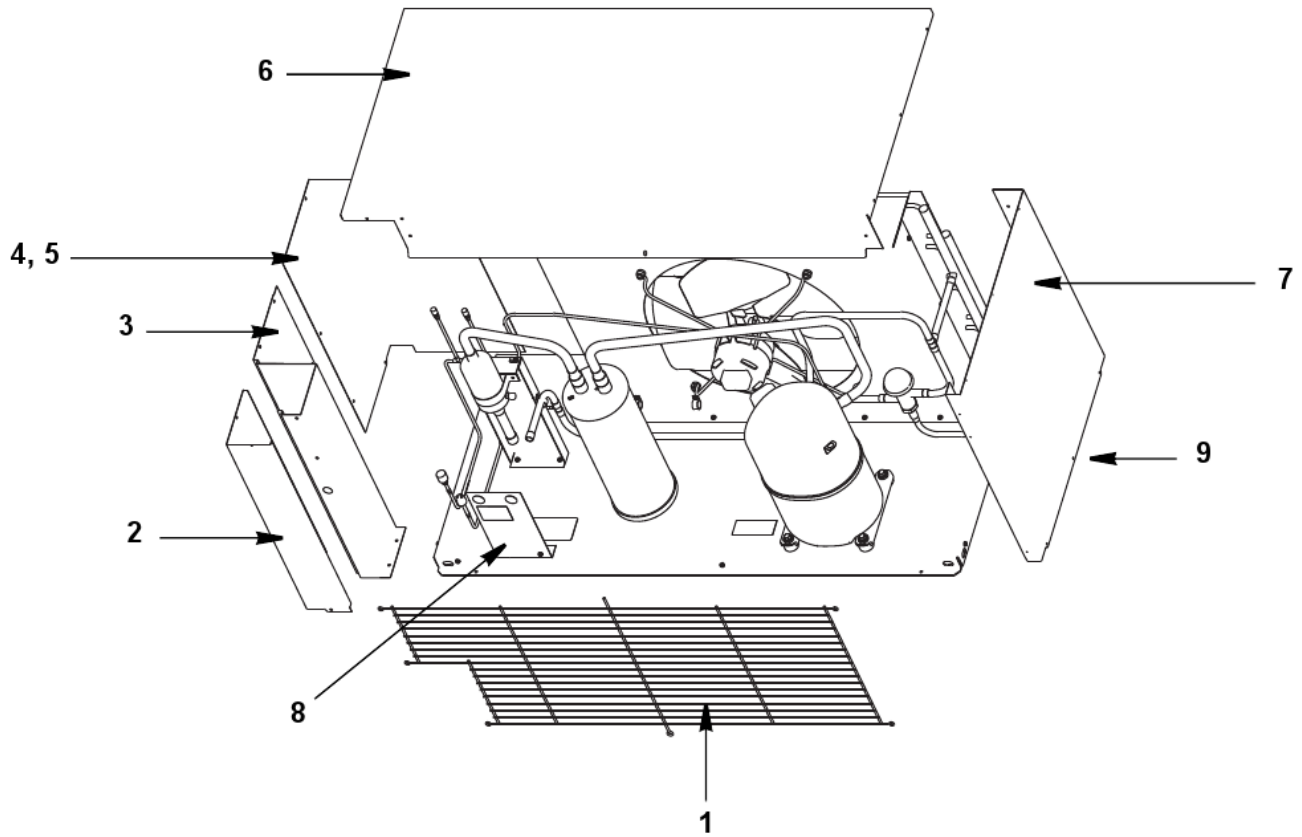
QDUALC, CVD1875, CVD2075

CVD2075 - CONDENSING UNIT - REFRIGERATION COMPONENTS

#	PART #	DESCRIPTION	QTY	Note
1		Compressor		
1a	7600593	Compressor - Copeland - 208-230V/60 Hz/1 Ph		
1b	7600603	Compressor - Copeland - 208-230V/60 Hz/3 Ph		
1c	7600613	Compressor - Copeland - 220-240V/50 Hz/1 Ph		
2	8250473	Accumulator		
3	8373253	Access Valve		
4		Fan Motor		
4a	2000189	Fan Motor - 208-230V/60 Hz/1-3 Ph		
4b	2000589	Fan Motor - 230-415V/50 Hz/1-3 Ph		
5	8250083	Fan Blade		
6	8851413	Air Condenser		
7	000003190	Head Pressure Control Valve		
8	8250559	Suction Line Filter		
9	6038701	Fan Shroud		
10	3006833	Fan Motor Mounting Bracket		
11	5033589	Mounting - Screw		
12	5545119	Mounting - Lockwasher		
13	5429529	Mounting - Hexnut		
14	5033589	Mounting - Screw		
15	5545119	Mounting - Lockwasher		
16	5573059	Mounting - Flatwasher		
17	5429559	Mounting - Rubber Wellnut		

QDUALC, CVD1875, CVD2075

CVD1875/CVD2075 - CONDENSING UNIT - PANELS



QDUALC, CVD1875, CVD2075

CVD1875/CVD2075 - CONDENSING UNIT - PANELS

#	PART #	DESCRIPTION	QTY	Note
1	3000143	Condenser Fan Guard		
2	6040171	Control Box Cover		
3	6037071	Control Box Panel		
4		CVD1875 - Left Side Panel - See Note for Serial Break		
4a	6038761	Left Side Panel		[1]
4b	000002143	Left Side Panel		[2]
5		CVD2075 - Left Side Panel - See Note for Serial Break		
5a	6038771	Left Side Panel		[3]
5b	000002144	Top Cover		[4]
6		CVD1875/CVD2075 - Top Cover - See Note for Serial Break		
6a	6038751	Top Cover		[5]
6b	000002142	Top Cover		[6]
7	6038741	Right Side Panel		
8	6042261	Condensing Unit Tube Shield		
9	5202069	Screw - #10-24 x 0.50" HEX		

PART NOTES:

- [1] - CVD1875 - Before Serial Number 110596333
- [2] - CVD1875 - After Serial Number 110596333
- [3] - CVD2075 - Before Serial Number 11600306
- [4] - CVD2075 - After Serial Number 11600306
- [5] - CVD1875 - Before Serial Number 110596333CVD2075 - Before Serial Number 110600306
- [6] - CVD1875 - After Serial Number 110596333CVD2075 - After Serial Number 110600306