



## **Ice Machine Parts List for Series Q1400C Models**

**QR1470C**

**CVD1375**

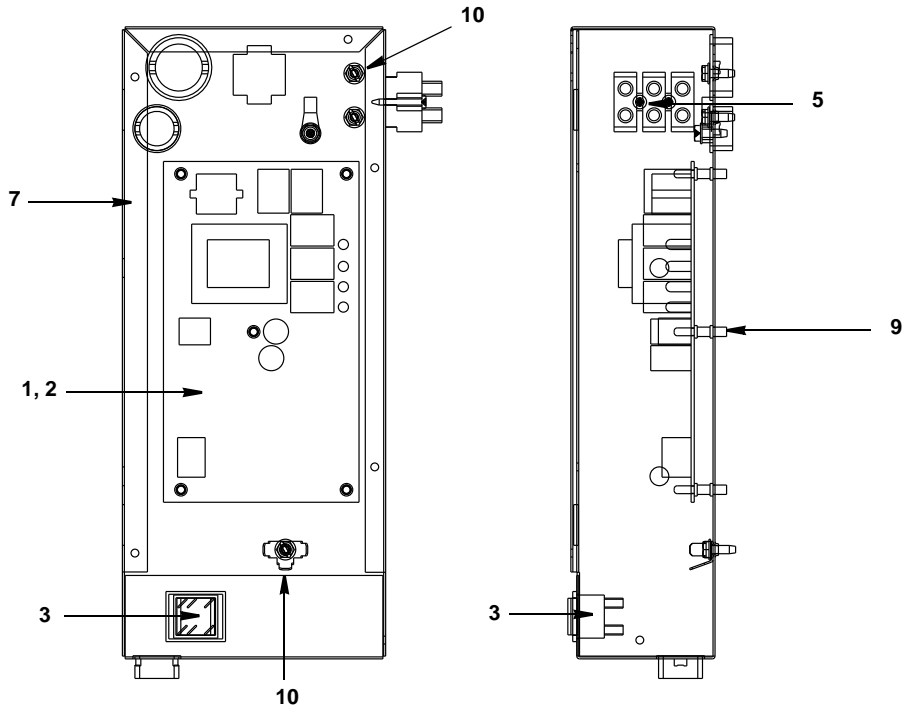
**QD1472C**

**CVD1475**

**QY1474C**

**CVD1476**

## Q1400C CONTROL BOX



q14box

### DESCRIPTION

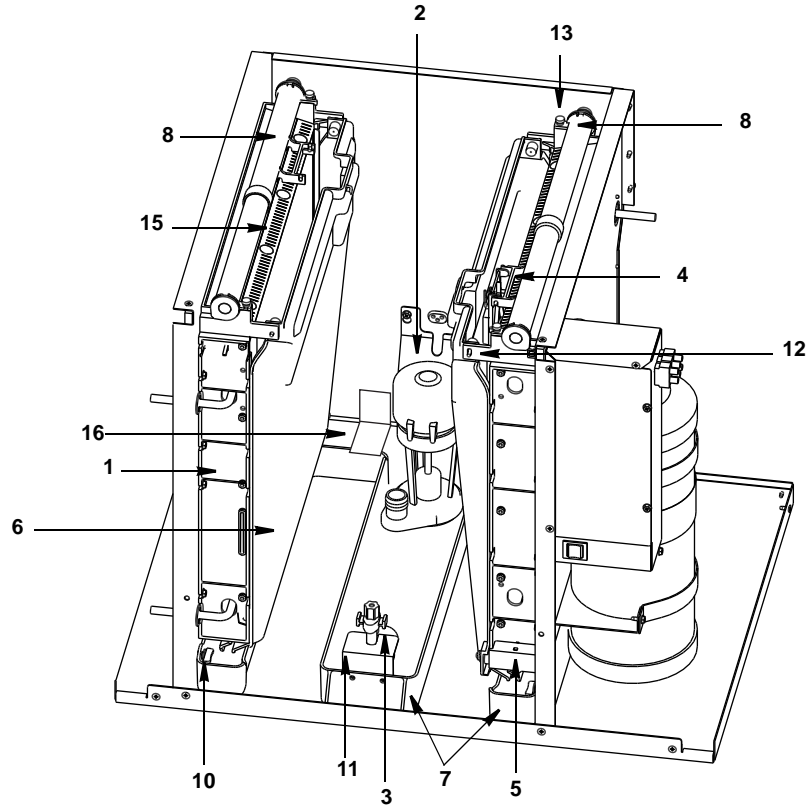
	<b>PART NO.</b>
1 Control Board (for use with all voltages) . . . . .	† 7628003
2 7 Amp Fuse – Mounted on Control Board . . . . .	2511003
3 <b>Toggle Switch</b> Only . . . . .	2301343
a. Toggle Switch with Wiring Harness Attached . . . . .	2032173
4 <b>Wiring Harness</b> (Not shown)	
a. 115V/60 Hz/1 Ph . . . . .	2033063
b. 230V/50 Hz/1 Ph . . . . .	2033193
5 Terminal Block (50 Hz Only) . . . . .	2006143
6 Wire Lead with Shunt Resistor (Not shown) . . . . .	2078113

### Miscellaneous – Screws, Supports, etc.

7 Control Box . . . . .	6036241
8 Control Box Cover (Not shown) . . . . .	7600003
9 Control Board Mounting Supports . . . . .	4302253
10 Screw, #10-24 x 0.50 Ground . . . . .	† 5202169
11 Screw, #10-24 x 0.50 . . . . .	† 5202069

† Refer to Cross Reference Guide

# Q1400C EVAPORATOR COMPARTMENT



sv1771

## DESCRIPTION

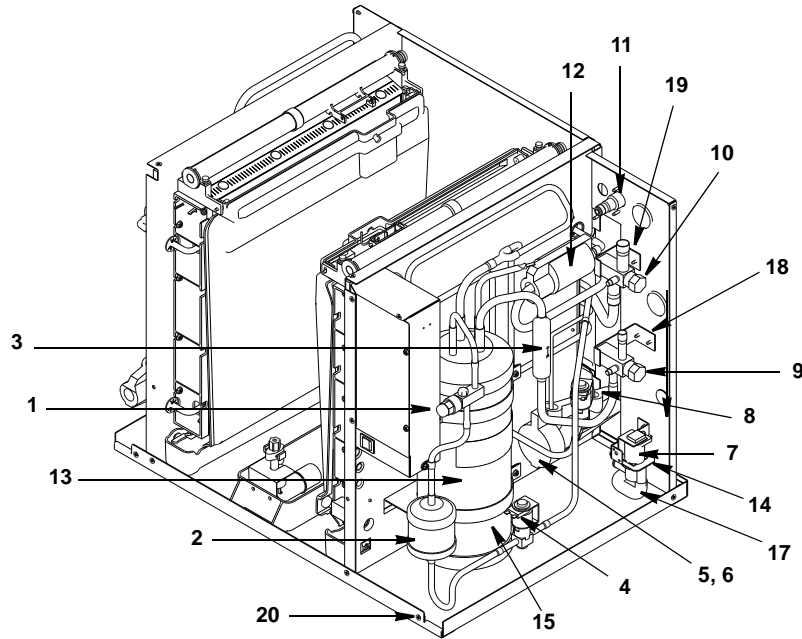
	<b>PART NO.</b>
1 Evaporator Assembly	
a. Regular Cube . . . . .	† 7624739
b. Dice Cube . . . . .	† 7624729
c. Half Dice Cube . . . . .	† 7624719
2 Water Pump	
a. 115V/60 Hz . . . . .	† 7623063
b. 208-230V/50 Hz . . . . .	† 1480279
3 Float Valve	
a. Complete Assembly . . . . .	† 8369049
b. Float Valve Screen . . . . .	† 8369069
c. Float Valve Plunger . . . . .	† 8369089
d. Float Valve Compression Nut . . . . .	† 5650729
4 Ice Thickness Control Probe . . . . .	† 7627813
5 Magnetic Bin Switch (Mounted to Evaporator) . . . . .	† 2301483
6 Water Curtain . . . . .	4008513
7 Water Trough . . . . .	† 4304539
8 Water Distribution Tube . . . . .	† 7624983
9 Water Pump Discharge Tube . . . . .	4421483
a. Elbow (90 degree) . . . . .	8390123
b. Tube (elbow to dump valve) . . . . .	4421503

## Miscellaneous – Brackets, Screws, etc.

10 Quarter Turn Water Trough Fastener (Male) . . . . .	5650863
10 Quarter Turn Water Trough Fastener Receptacle (Female) . . . . .	5650853
11 Float Valve Bracket . . . . .	00000136
12 Water Curtain Pin Assembly . . . . .	7627763
13 Screw, #8-32 x 0.63 Nylon Water Distribution Tube Mounting . . . . .	† 5000013
14 Water Flow Clamp – Use on Regular Cube Evap. Only (Not shown) . . . . .	7620543
15 Evaporator Top Molding and Gasket Assembly . . . . .	7626213
16 Trough Protectors . . . . .	7600873

† Refer to Cross Reference Guide

# Q1400C REFRIGERATION COMPARTMENT



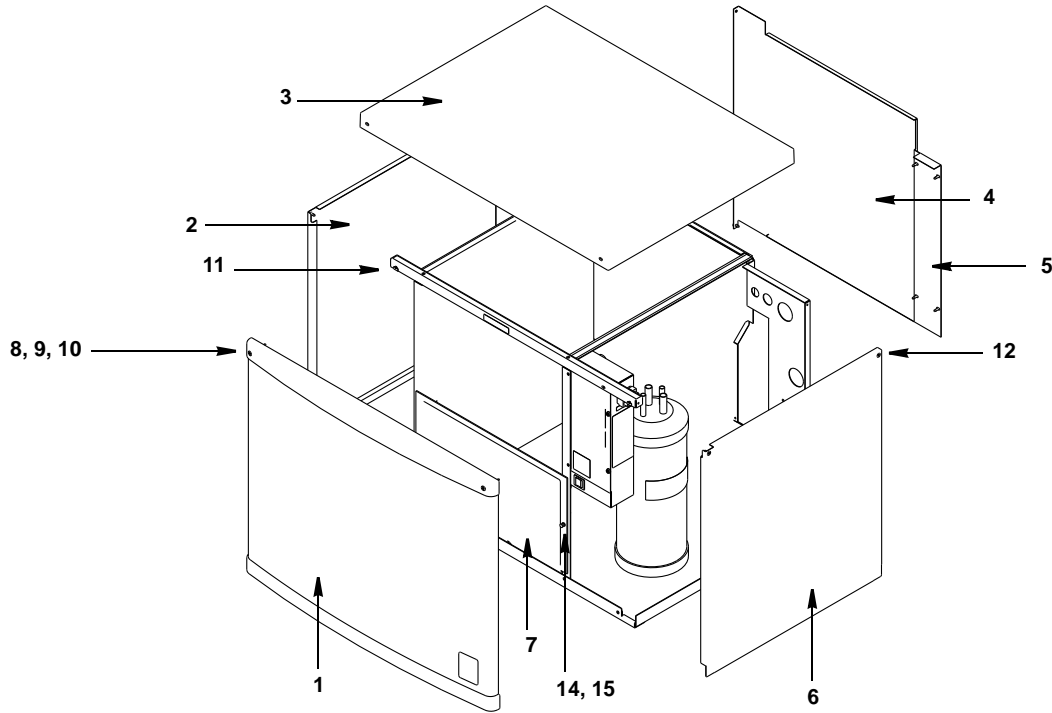
sv1770

## DESCRIPTION

	<b>PART NO.</b>
1 Receiver Service Valve . . . . .	† 8373169
a. Valve Cap . . . . .	5650753
2 Drier . . . . .	† 8930279
3 Check Valve . . . . .	† 8373159
4 Liquid Line Solenoid Valve	
a. Solenoid Valve Assembly 115V/60 Hz/1 Ph (Danfoss) . . . . .	† 7630051
b. Coil Only 115V/60 Hz/1 Ph Danfoss . . . . .	000005156
c. Coil Only 115V/60 Hz/1 Ph Alco . . . . .	2404363
d. Solenoid Valve Assembly 208-230V/50-60 Hz/1 Ph . . . . .	† 7630111
e. Coil Only 208-230V/50-60 Hz/1 Ph Danfoss . . . . .	000005157
f. Coil Only 208-230V/50-60 Hz/1 Ph Alco . . . . .	† 2404483
5 Expansion Valve . . . . .	† 7600523
6 Expansion Valve Insulated Boot Alco . . . . .	4007213
7 Dump Valve	
a. Dump Valve Rebuild Kit . . . . .	No Longer Available
b. 115V/60 Hz . . . . .	000001767
c. 230V/50 Hz . . . . .	000001768
<b>8 Harvest Valves NOTE: Some Q1400C machines contain Danfoss harvest valves; replace both left &amp; right with Alco.</b>	
a. Solenoid Valve Assembly 115V/60 Hz Alco . . . . .	2405433
b. Coil Only 115V/60 Hz Alco . . . . .	2404363
c. Solenoid Valve Assembly Alco 230V/50 Hz . . . . .	2405043
d. Coil Only 230V/50 Hz Alco . . . . .	† 2404483
9 Liquid Line Shut-off Valve . . . . .	8373273
10 Suction Shut-off Valve . . . . .	8373283
a. Insulation Boot . . . . .	4007403
11 Water Inlet Fitting . . . . .	† 8706093
12 Expansion Valve Bulb, Boot . . . . .	4007201
13 Receiver . . . . .	7629593
<b>Miscellaneous – Brackets, Screws, etc.</b>	
14 Dump Valve Bracket . . . . .	6036271
15 Receiver Mounting Bracket (Interchangeable Top or Bottom) . . . . .	6307214
16 Water Drain Female Wing Adapter (Not shown) . . . . .	8706083
17 Dump Valve Drain Tubing . . . . .	4421493
18 Liquid Line Shut-off Valve Bracket (1/2") . . . . .	6036721
19 Suction Line Shut-off Valve Bracket (3/4") . . . . .	6036261
20 Screw, #10-24 x 0.50 . . . . .	† 5202099
21 Wiring Harness (Control Box to Dump Valve & Cool Vapor Valve . . . . .	2001813

† Refer to Cross Reference Guide

## Q1400C PANELS



q14panel

### DESCRIPTION

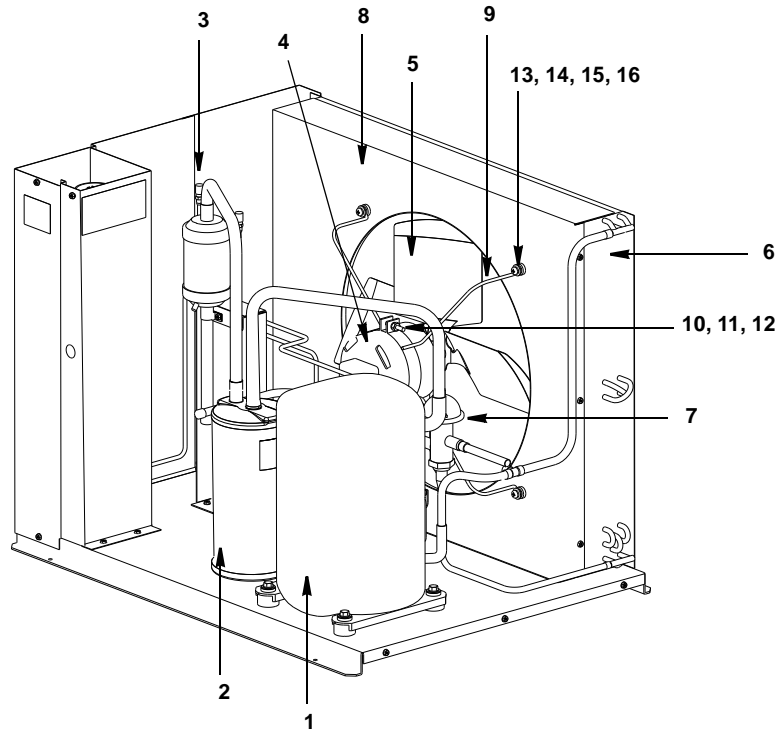
	<b>PART NO.</b>
1 Front Panel Assembly .....	7600013
2 Left Side Panel	
a. Up to Serial Number 030361557 .....	6036061
b. After Serial Number 030361557 .....	6057541
3 Top Cover .....	4303313
4 Back Panel	
a. Up to Serial Number 030361557 .....	6037391
b. After Serial Number 030361557 .....	6059841
5 Back Coupling Panel .....	6037381
6 Right Side Panel .....	6036051
7 Water Splash Shield .....	4009653

### Miscellaneous – Brackets, Screws, etc.

8 Front Cover Screw .....	† 5119019
9 Front Cover Washer .....	† 5573389
10 Front Cover Screw Retainer .....	† 5648279
11 Speed Nut Assembly to Mount Front Cover .....	† 5473039
12 Screw, #10-24 x 0.50 Flat .....	† 5202099
13 Extruded Tape (Not shown) .....	† 9202509
14 Nylatch Fastener Grommet (Female) .....	5651053
15 Nylatch Fastener Plunger (Male) .....	5651063

† Refer to Cross Reference Guide

# CVD1475/1375 CONDENSING UNIT



pt1294

## DESCRIPTION

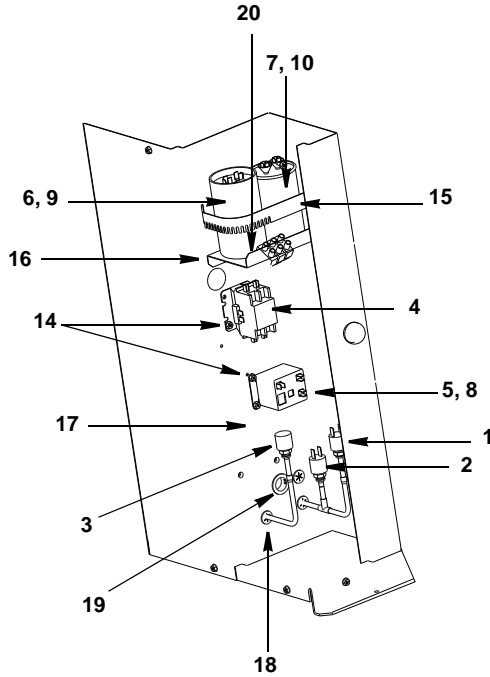
	DESCRIPTION	PART NO.
1	Compressor	
	a. 208-230V/60 Hz/1 Ph . . . . .	† 7603283
	b. 208-230V/60 Hz/3 Ph . . . . .	† 7603293
	c. 220-240V/50 Hz/1 Ph . . . . .	† 7603303
2	Accumulator . . . . .	000007281
3	Access Valve . . . . .	8373253
4	Fan Motor	
	a. 208-230V/60 Hz/1 Ph-3 Ph . . . . .	† 2000189
	b. 208-230V/50 Hz/1 Ph . . . . .	† 2000583
5	Fan Blade . . . . .	2416113
6	Air Condenser . . . . .	8851403
7	Head Pressure Control Valve . . . . .	000000973

## Miscellaneous – Brackets, Screws, etc.

8	Fan Shroud . . . . .	6034501
9	Fan Motor Mounting Bracket . . . . .	3006823
10	Fan Motor Mounting Screw . . . . .	† 5033589
11	Fan Motor Mounting Lockwasher . . . . .	† 5545119
12	Fan Motor Mounting Hexnut . . . . .	† 5429529
13	Fan Bracket Mounting Screw . . . . .	† 5033589
14	Fan Bracket Mounting Lockwasher . . . . .	† 5545119
15	Fan Bracket Mounting Flatwasher . . . . .	† 5573059
16	Fan Bracket Mounting Rubber Wellnut . . . . .	† 5429559
17	Suction Line Filter (Not shown) . . . . .	† 8250549

† Refer to Cross Reference Guide

# CVD1475/1375 CONDENSING UNIT, CONTINUED

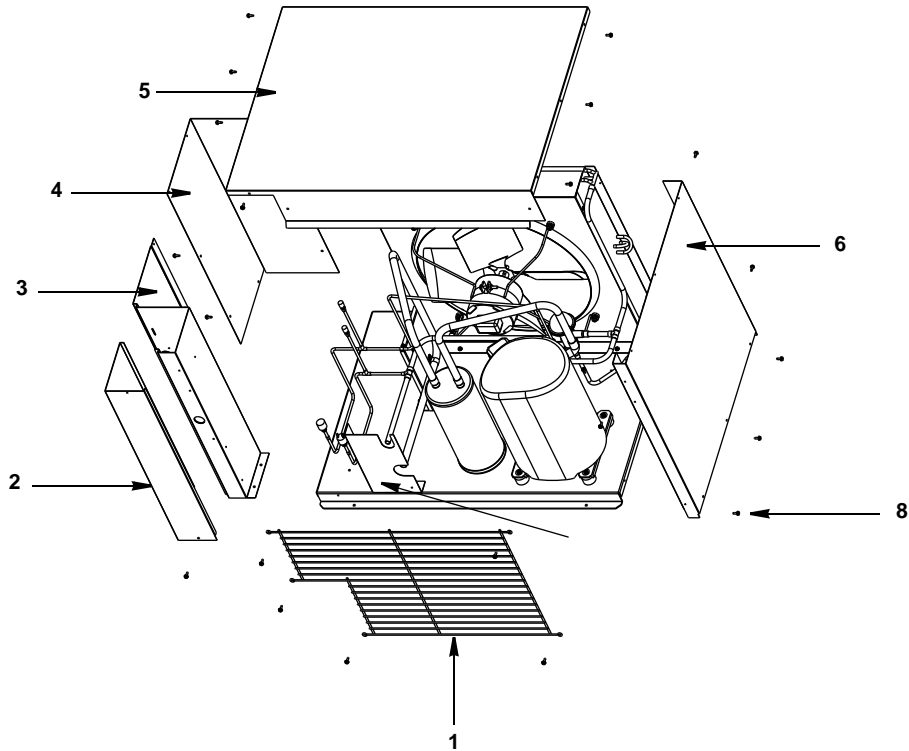


pt1286

## DESCRIPTION

		<b>PART NO.</b>
1	Fan Cycling Control .....	† 2001263
2	High Pressure Cut-out Control .....	† 2001243
3	Low Pressure Cut-out Control .....	2002229
4	Contactor	
	a. Assembly Complete with 208-230V/50-60/1 Ph Coil .....	2006609
	b. Assembly Complete with 208-230V/60/3 Ph Coil .....	† 2006619
<b>Start Components Tecumseh</b>		
5	Start Relay 208-230V/60 Hz/1 Ph .....	2007519
	a. Start Relay 230V/50 Hz/1 Ph .....	2007529
6	Start Capacitor 208-230V/60 Hz/1 Ph .....	8505513
	a. Start Capacitor 230V/50 Hz/1 Ph .....	8505513
7	Run Capacitor 208-230V/60 Hz/1 Ph .....	000001395
	a. Run Capacitor 230V/50 Hz/1 Ph .....	† 000000028
<b>Start Components Copeland CS20K6E</b>		
8	Start Relay 208-230V/60 Hz/1 Ph .....	2007559
	a. Start Relay 230V/50Hz/1 Ph .....	2007549
9	Start Capacitor 208-230V/60 Hz/1 Ph .....	00006455
	a. Start Capacitor 230V/50 Hz/1 Ph .....	8505823
10	Run Capacitor 208-230V/60Hz/1 Ph .....	† 000000028
	a. Run Capacitor 230V/50 Hz/1 Ph .....	† 000000028
<b>Start Components Copeland CS24K6E</b>		
11	Start Relay 208-230V/60 Hz/1 Ph .....	2007563
	a. Start Relay 230V/50Hz/1 Ph .....	2007533
12	Start Capacitor 208-230V/60 Hz/1 Ph .....	00006455
	a. Start Capacitor 230V/50 Hz/1 Ph .....	8505133
13	Run Capacitor 208-230V/60Hz/1 Ph .....	000000028
	a. Run Capacitor 230V/50 Hz/1 Ph .....	000000025
<b>Miscellaneous – Brackets, Screws, etc.</b>		
14	Screw, #10-24 x 0.50 .....	† 5202069
15	Capacitor Mounting Strap .....	6021601
16	Capacitor Mounting Bracket .....	6034981
17	Ground Screw .....	† 5202169
18	Bushing .....	† 2500169
19	Bushing .....	† 2500029
20	Terminal Block 230V/50 Hz/1 Ph Only (location only shown) .....	2006143

## CVD1475/1375 CONDENSING UNIT PANELS



sv1770

### DESCRIPTION

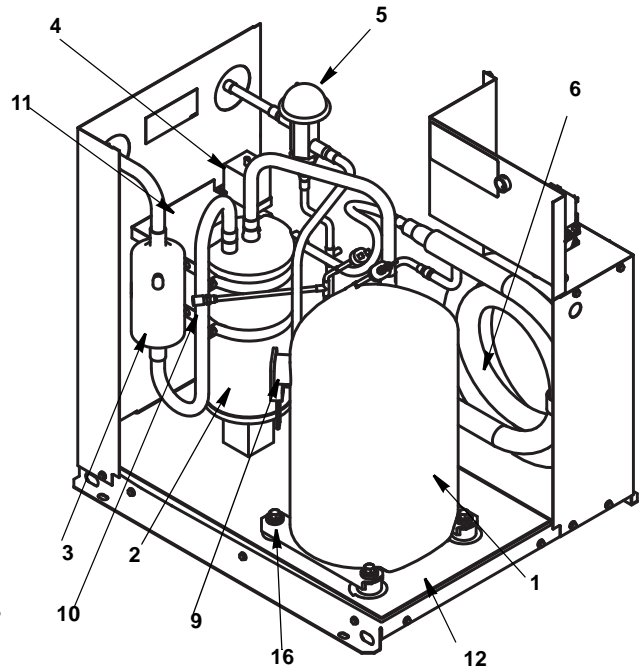
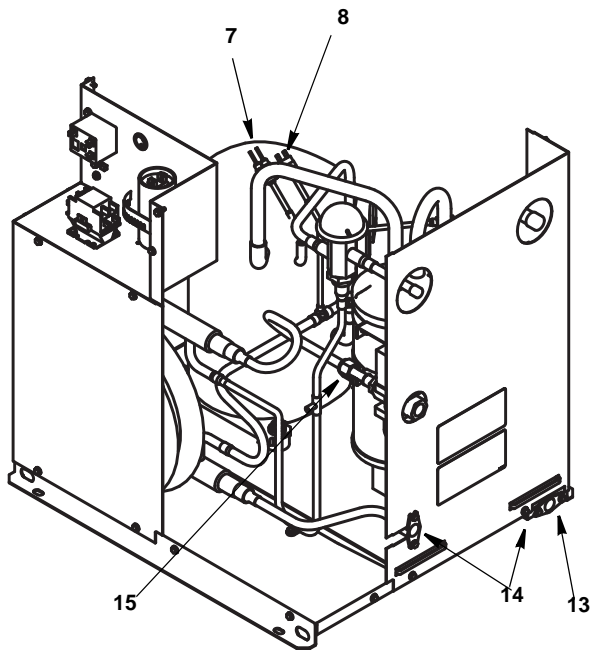
DESCRIPTION	PART NO.
1 Condenser Fan Guard .....	3406893
2 Control Box Cover .....	† 6040171
3 Control Box Panel .....	6037071
4 Left Side Panel .....	6037321
5 Cover Top .....	6034751
6 Right Side Panel .....	6034701
7 Tubing Panel .....	† 6042261

### Miscellaneous – Brackets, Screws, etc.

8 Screw, #10-24 x 0.50 Hex. ....	† 5202069
----------------------------------	-----------

† Refer to Cross Reference Guide

# CVD1476 CONDENSING UNIT



pt1382

## DESCRIPTION

## PART NO.

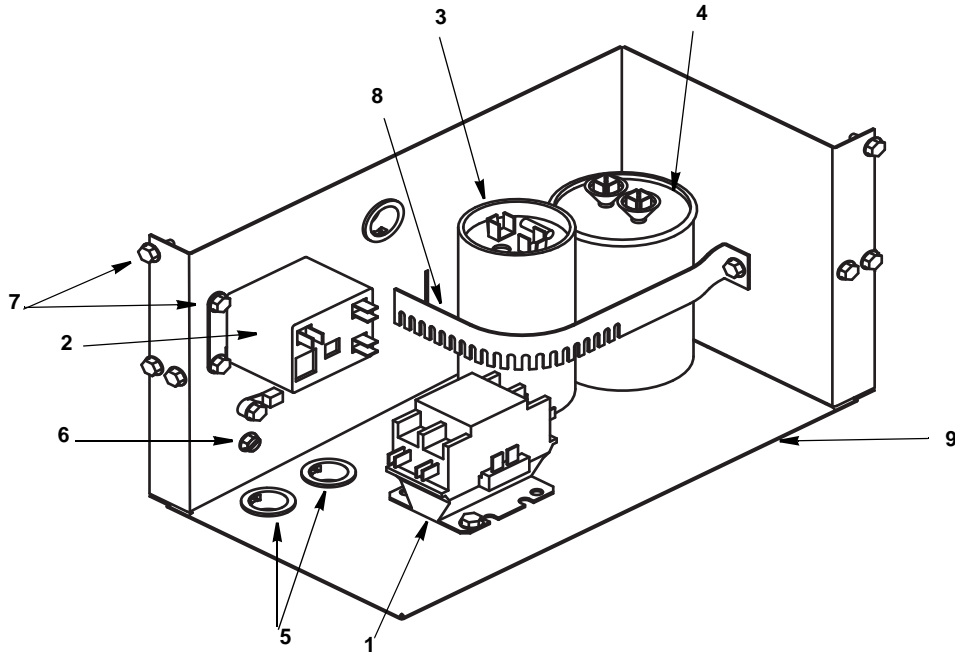
1	Compressor	
	a. 208-230V/60 Hz/1 Ph . . . . .	7601623
	b. 208-230V/60 Hz/3 Ph . . . . .	7601633
2	Accumulator . . . . .	000007281
3	Suction Line Filter . . . . .	† 8250549
4	Water Regulating Valve	
	a. 150 psig Rated . . . . .	8252403
	b. 350 psig Rated (High Pressure Option) . . . . .	8372173
5	Head Pressure Control Valve. . . . .	000001982
6	Water Cooled Condenser. . . . .	8251283
7	Low Pressure Cut-out Control . . . . .	2002229
8	High Pressure Cut-out Control. . . . .	† 2001243

## Miscellaneous – Brackets, Screws, etc.

9	Compressor Electrical Plug with 42" Wires . . . . .	2006233
10	Access Valve . . . . .	8373253
11	Receiver Mounting Bracket Upper/Lower . . . . .	6055571
12	Drain Pan Assembly . . . . .	No Longer Available
13	Drain Pan White Vinyl Drain tube (Location only Shown) . . . . .	4008443
14	Adapter 1/2" FPT . . . . .	8706083
15	Water Regulating Valve Union. . . . .	8334193
16	Compressor Mounting	
	a. Bolt . . . . .	5000173
	b. Grommet. . . . .	8503069
	c. Washer . . . . .	5573099
	d. Metal Sleeve . . . . .	5000109

† Refer to Cross Reference Guide

## CVD1476 CONDENSING UNIT, CONTINUED



pt1384

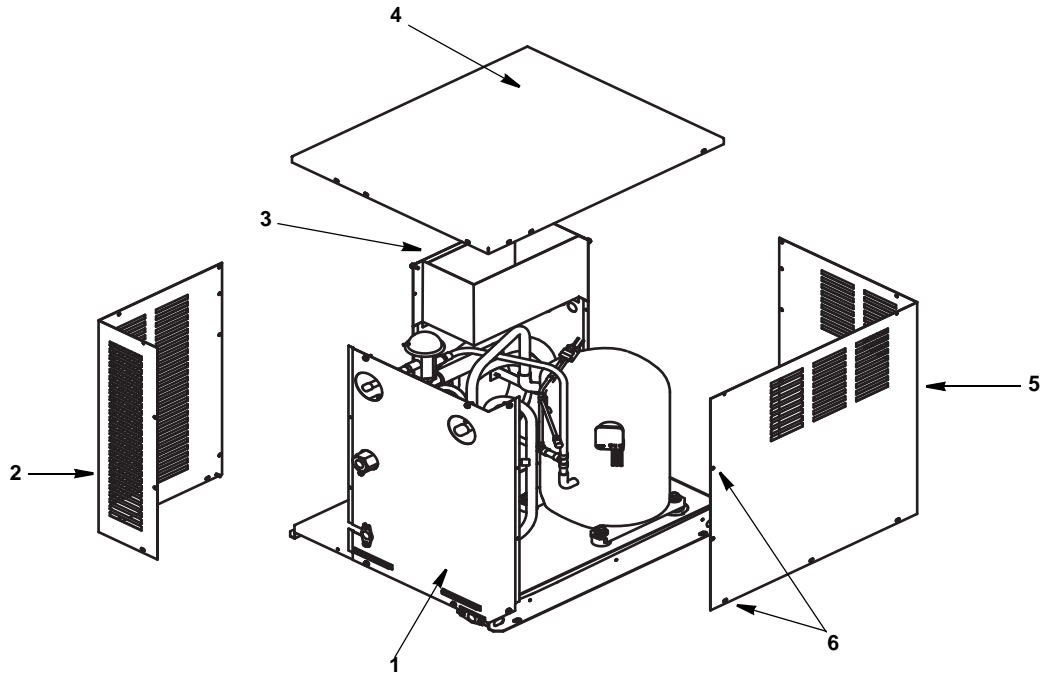
### DESCRIPTION

		PART NO.
1	Contactor	
	a. Assembly Complete with 208-230V/50-60/1 Ph Coil. ....	2006609
	b. Assembly Complete with 208-230V/60/3 Ph Coil . . . . .	† 2006619
2	Start Relay 208-230V/60 Hz/1 Ph. ....	2007559
3	Start Capacitor 208-230V/60 Hz/1 Ph. ....	000006455
4	Run Capacitor 208-230V/60Hz/1 Ph . . . . .	† 000000028

### Miscellaneous – Brackets, Screws, etc.

5	Bushing. ....	† 2501409
6	Ground Screw. ....	† 5202169
7	Screw, #10-24 x 0.50 . . . . .	† 5202069
8	Capacitor Mounting Strap . . . . .	6021601
9	Control Box. ....	7601653
10	Wiring Harness (Control Box)	
	a. 208-230V/60Hz/1Ph . . . . .	2000559
	b. 208-230V/60Hz/3Ph . . . . .	2000563

# CVD1476 CONDENSING UNIT PANELS



pt1383

**DESCRIPTION**

	<b>PART NO.</b>
1 Component Mounting Panel .....	6051141
2 Left Side Panel .....	6051151
3 Control Box Panel .....	7601643
4 Cover Top .....	6055531
5 Right Side Panel .....	6051161

**Miscellaneous – Brackets, Screws, etc.**

6 Screw, #10-24 x 0.50 Hex .....	† 5202069
----------------------------------	-----------

**INTENTIONALLY LEFT BLANK**