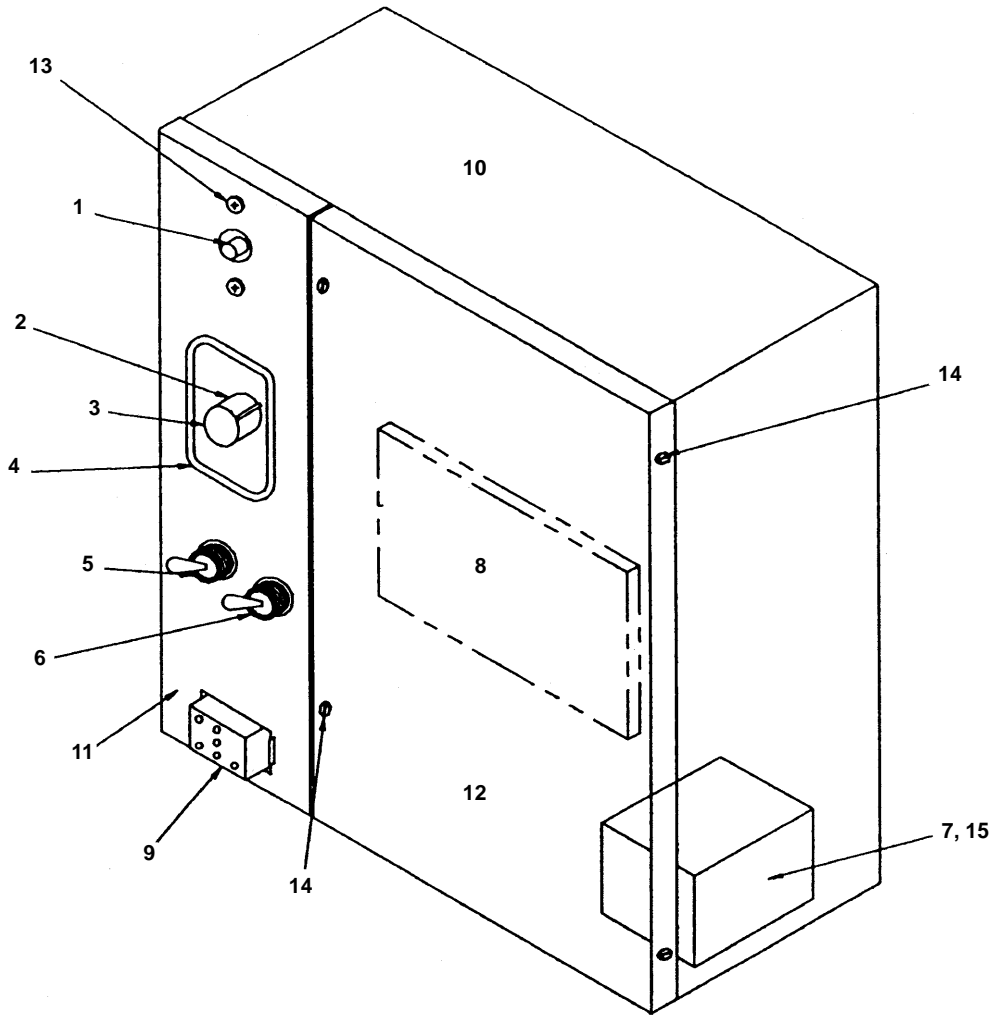




Ice Machine Parts List for Reach-In Refrigerators

ONE DOOR REFRIGERATOR CONTROL BOX



7007

	Up to SN 931080000	931080000 to SN 940780035	940780035 to SN 960380067	Beginning With SN 960380067
1 High Pressure Cut-out	No Longer Available	No Longer Available	† 2355369	None
2 Temperature Control	† 2351079	† 2351079	† 2351079	† 2351079
3 Control Knob Only	2519043	2519043	2519043	2519043
4 Control Plate Only	No Longer Available	No Longer Available	No Longer Available	No Longer Available
5 Mullion Heater Toggle Switch	† 2301409	† 2301409	† 2301409	† 2301409
6 Power Toggle Switch	No Longer Available	No Longer Available	No Longer Available	No Longer Available
7 Relay 60 Hz	2408203	† 2408223	† 2408223	None
8 Terminal Board	2510743	No Longer Available	No Longer Available	No Longer Available
9 Wiring Harness	No Longer Available	No Longer Available	No Longer Available	No Longer Available
10 Control Box Weldment	No Longer Available	No Longer Available	No Longer Available	No Longer Available
11 Control Box Cover, Left Hand	No Longer Available	No Longer Available	No Longer Available	No Longer Available
12 Control Box Cover, Right Hand	No Longer Available	No Longer Available	No Longer Available	No Longer Available
13 Screw, #8-32 x 1/2	† 5026249	† 5121669	† 5121669	None
14 Screw, #10-24 x 1/2	† 5202069	† 5202069	† 5202069	† 5202069
15 Start Capacitor*				

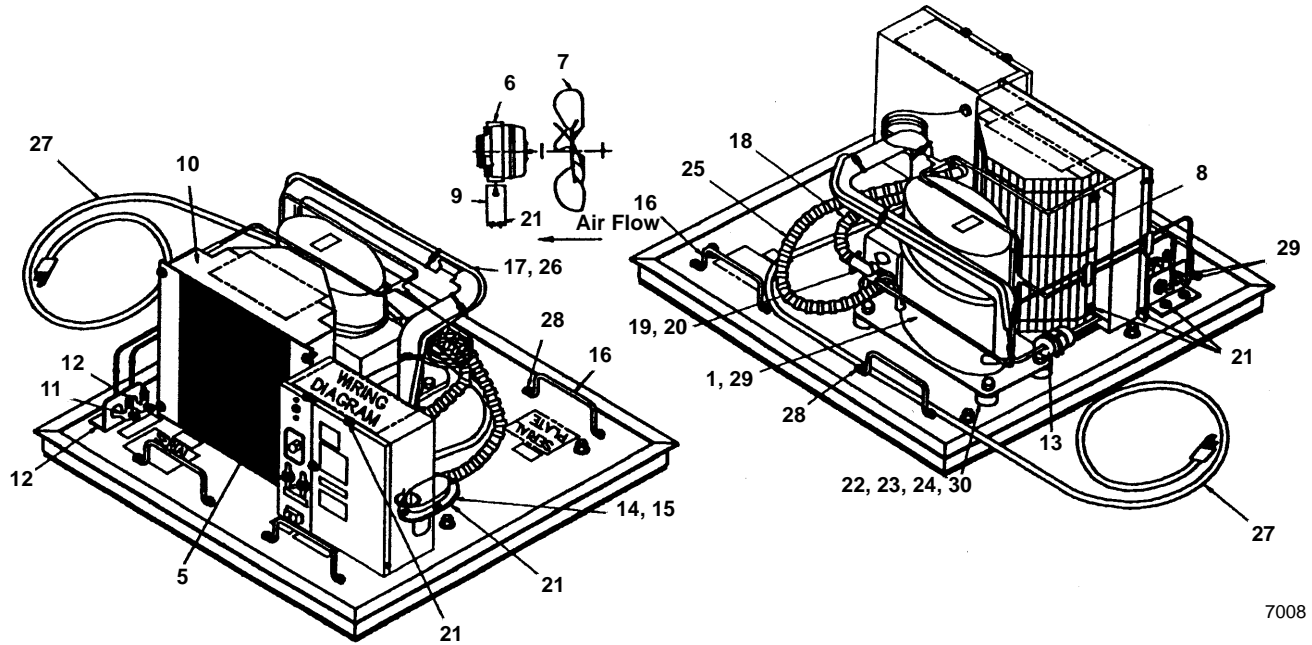
(See Page 7)

*Start capacitor between SN 950380273 & 960380067 use 8503723

NOTE: For 230V/50 or 230V/60 Hz parts, see Page 6.

† Refer to Cross Reference Guide

ONE DOOR REFRIGERATOR CONDENSER



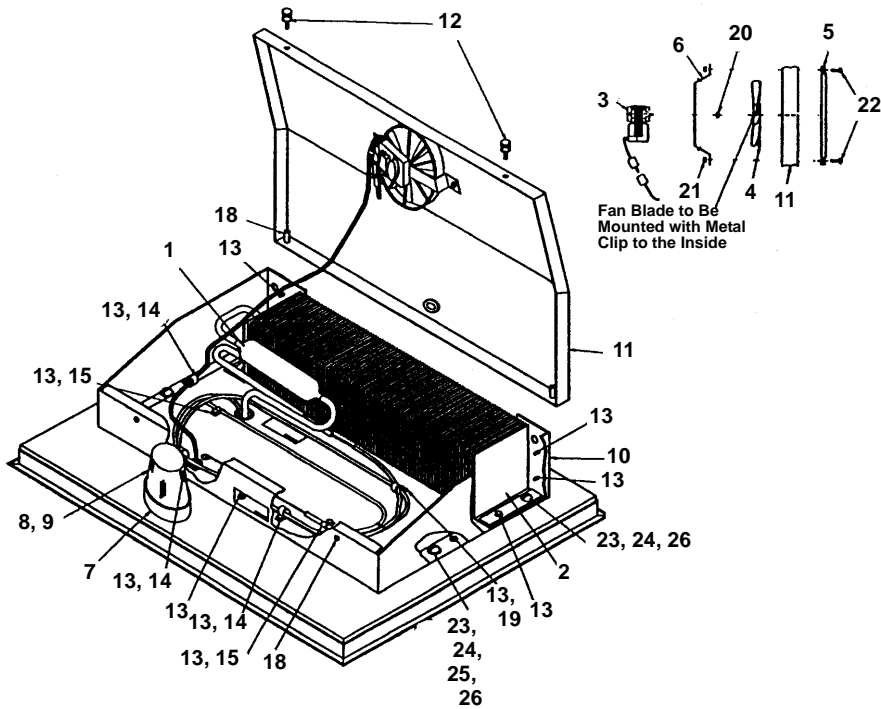
7008

	Up to SN 931080000	931080000 to SN 940780035	940780035 to SN 960380067	Beginning With SN 960380067
1 Compressor 60 Hz	No Longer Available	No Longer Available	No Longer Available	No Longer Available
2 Start Relay		(See Page 7)		
3 Start Capacitor*		(See Page 7)		
*Start Capacitor Between SN 950380273 & 960380067 use 8503723				
4 Overload		(See Page 7)		
5 Condenser 60 Hz	No Longer Available	No Longer Available	No Longer Available	No Longer Available
6 Condenser Fan Motor 115/60	No Longer Available	† 2412873	† 2412873	† 2412873
7 Condenser Fan Blade	† 2416021	† 2416021	† 2416021	† 2416021
8 Condenser Fan Guard	No Longer Available	No Longer Available	No Longer Available	3406753
9 Motor Bracket	No Longer Available	No Longer Available	No Longer Available	No Longer Available
10 Condenser Fan Shroud – Metal	No Longer Available	No Longer Available	No Longer Available	No Longer Available
10a Shroud – Front Air Intake, Black Fiberboard				No Longer Available
11 Process Valve		† 8373109	† 8373109	8373223
12 Valve Core Only		No Longer Available		
12a Process Valve Bracket		No Longer Available	No Longer Available	No Longer Available
13 Drier	† 8930259	† 8930259	† 8930259	† 8930259
14 Vacuum Release Top		No Longer Available	No Longer Available	No Longer Available
15 Vacuum Release Ball		No Longer Available	No Longer Available	No Longer Available
15a Vacuum Barrier Screen		No Longer Available	No Longer Available	No Longer Available
15b Vacuum Screw Fasteners		† 5012169	† 5012169	† 5012169
16 Lift Handle	3000683	3000683	3000683	3000683
17 Poly Tubing 1/4" OD		4420291	4420291	4420291
18 Conduit, Extra Flex 0.38 ID		2506003	2506053	2506053
19 Anti-short Bushing		No Longer Available	No Longer Available	No Longer Available
20 Conduit Connector		2501221	2501221	2501221
21 Screw		† 5202069	† 5202069	† 5202069
22 Mounting Grommet		No Longer Available	† 8503069	† 8503069
23 Sleeve		No Longer Available	† 8503949	† 8503949
24 Fastener To Condensing Unit	† 5035729	† 5035729	† 5035729	† 5035729
25 Wire Harness		No Longer Available		
26 Capillary Tube Assembly**	No Longer Available	No Longer Available	No Longer Available	No Longer Available
**Capillary Tube Assembly between SN 950380273 & 960380067 - No Longer Available				
27 Power Cord	2030763	2030763	No Longer Available	
28 Fastener 1/4-20 x 3/4	No Longer Available	No Longer Available	No Longer Available	No Longer Available
29 Hex Locknut – Palnut		† 5475039	† 5475039	† 5475039
30 Washer SS		No Longer Available	No Longer Available	No Longer Available

NOTE: For 230V/50 or 230V/60 Hz parts, see Page 6.

† Refer to Cross Reference Guide

ONE DOOR REFRIGERATOR EVAPORATOR



7009

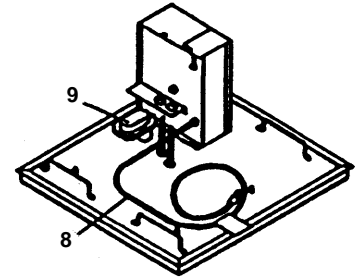
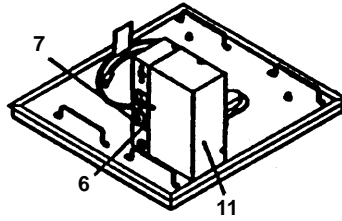
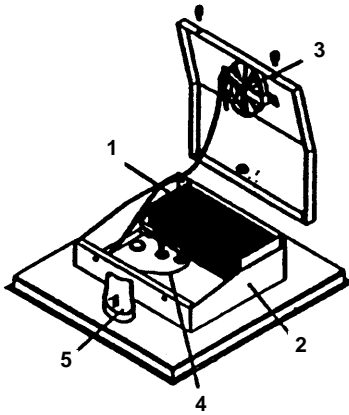
	Up to SN 931080000	931080000 to SN 940780035	Beginning With SN 940780035
1 Accumulator	No Longer Available	No Longer Available	No Longer Available
2 Evaporator	No Longer Available	No Longer Available	No Longer Available
3 Fan Motor 60 Hz	No Longer Available	No Longer Available	No Longer Available
4 Fan Blade – Evaporator	2416163	2416163	2416163
5 Fan Guard – Evaporator	2418103	2418103	2418103
6 Motor Bracket	No Longer Available	No Longer Available	No Longer Available
7 Light Receptacle With Cover	† 2202299	† 2202299	† 2202299
8 Light Cover Only	2202213	2202213	2202213
9 Appliance Light Bulb 60 Hz	2202203	2202203	2202203
10 Evaporator Housing Shroud	None	No Longer Available	No Longer Available
11 Evaporator Fan Shroud Weldment	No Longer Available	No Longer Available	No Longer Available
12 Thumb Screw	5012203	† 5000013	† 5000013
13 Hex Head Screw #10-16 x 0.50		No Longer Available	No Longer Available
14 Nylon Wire Harness Clip		† 5650799	† 5650799
15 Nylon Cable Clamp		† 5650039	
16 Drain Fitting Stud	No Longer Available	No Longer Available	No Longer Available
17 Drain Fitting Nut	No Longer Available	No Longer Available	No Longer Available
18 Riv-Nut #8-32		5768561	5768561
19 Nylon Wire Harness Clip		† 5650809	
20 Hex Nut #8-32 w/Nylon Insert		† 5429129	† 5429129
21 Nut w/Plastic Insert #12-24		No Longer Available	No Longer Available
22 Screw #12-24 SS		No Longer Available	No Longer Available
23 Screw 5/16-18 x 2.00	No Longer Available	5035743	5035743
24 Nut 5/16-18 SS	No Longer Available	No Longer Available	No Longer Available
25 Washer	No Longer Available	No Longer Available	No Longer Available
26 Lockwasher 5/16 SS	No Longer Available	No Longer Available	No Longer Available
NOT SHOWN – MOUNTED UNDER CABINET			
Condensate Vaporizor	2202183	2202183	2202183
Condensate Vaporizor Bracket	No Longer Available	No Longer Available	No Longer Available
Vaporizor Cord Only	2030939	2030939	2030939

NOTE: For 230V/50 or 230V/60 Hz parts, see Page 6.

† Refer to Cross Reference Guide

REMOTE MODEL REFRIGERATORS

Manitowoc Remote Evaporator Sections (RR1, RR2, RR3) must be used in conjunction with a Manitowoc Reach-In.



7010

The following parts are the same as the one door, self-contained refrigerator head section. Refer to previous pages for part numbers and serial number breaks.

- | | | | |
|---|--|----|---------------------------------------|
| 1 | Evaporator Coil (with stub copper connections) | 7 | Door Heater On/Off Switch |
| 2 | Evaporator Housing | 8 | Power Cord |
| 3 | Evaporator Fan(s) | 9 | Cabinet Vacuum Release |
| 4 | Thermostat | 10 | Wiring for Liquid Line Solenoid Valve |
| 5 | Interior Cabinet Light | 11 | Electrical Control Box |
| 6 | Main On/Off Switch | | |

Field Supplied Components:

- | | | | |
|---|----------------------------------|---|--|
| 1 | Remote Condensing Unit | 6 | Inter-connecting Tubing |
| 2 | Expansion Valve | 7 | Separate Power Supply |
| 3 | Liquid Line Drier | 8 | Other Parts or Hardware to Complete Installation |
| 4 | Liquid Line Solenoid (Pump Down) | | |
| 5 | Low Pressure Cut-out Control | | |

ONE DOOR REFRIGERATOR

230V/50 Hz Application

All parts are the same as 115V/60 Hz application with the following exceptions:

	Up to SN 940780035	940780035 Up to SN 960380067	Beginning With SN 960380067
CONTROL BOX			
Relay	2408233	2408233	None
CONDENSER			
Compressor	No Longer Available	No Longer Available	No Longer Available
Start Capacitor		(See Page 7)	
Start Relay		(See Page 7)	
Overload		(See Page 7)	
Condenser	No Longer Available	No Longer Available	8551173
Condenser Fan Motor	† 2412883	† 2412883	† 2412883
Condenser Fan Blade	No Longer Available	† 2416021	† 2416021
Condenser Fan Guard	No Longer Available	No Longer Available	3406753
Condenser Fan Shroud	No Longer Available	No Longer Available	No Longer Available
Motor Bracket	No Longer Available	No Longer Available	No Longer Available
Power Cord	2031233	No Longer Available	No Longer Available
EVAPORATOR			
Evaporator Fan Motor 50 Hz	No Longer Available	No Longer Available	No Longer Available
Appliance Light Bulb 50 Hz	No Longer Available	No Longer Available	No Longer Available
Condensate Vaporizor	2202303	2202303	2202303

230V/60 Hz Application

All parts are the same as standard 60 Hz model with the following exceptions:

	Up to SN 960380067	Beginning With SN 960380067
CONTROL BOX		
Relay	2408233	None
CONDENSER		
Compressor	No Longer Available	No Longer Available
Start Capacitor	No Longer Available	
Condenser Fan Motor	† 2412883	† 2412883
Power Cord	No Longer Available	No Longer Available
EVAPORATOR		
Evaporator Fan Motor	No Longer Available	No Longer Available
Appliance Light Bulb	No Longer Available	No Longer Available
Condensate Vaporizor	2202303	2202303

† Refer to Cross Reference Guide

COMPRESSOR COMPONENTS FOR ONE DOOR REFRIGERATOR

115V/60 Hz/1 Ph

Compressor Model Number	Start Relay	Start Capacitor	Overload
Copeland ARE4-0025-IAA-908	† 8504123	8504103	8504113
Copeland ARE40025-IAA-207	† 8504123	† 8504223	8504113
Tecumseh AE9422E B/M AE172AT-941-A4D	8504753	8504163	8504773
Tecumseh AE9422EXA B/M AE172AT-900-A4Y	8504753	No Longer Available	8504773
Tecumseh AE4430 B/M AE540AT-964-A4D	No Longer Available	8504923	8505263

230V/50 Hz/1 PH

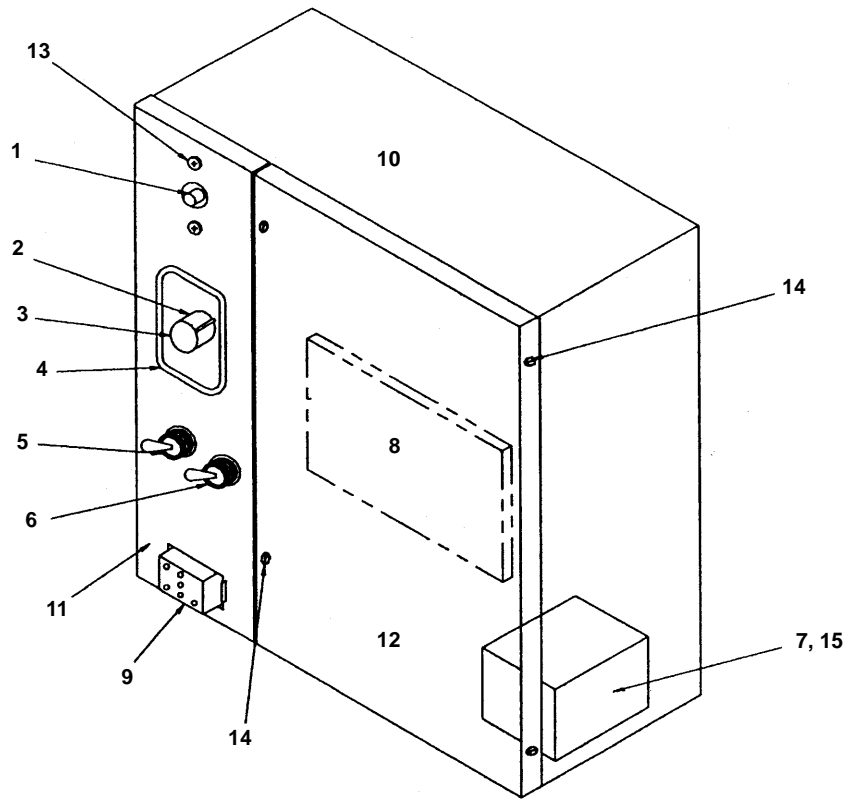
Compressor Model Number	Start Relay	Start Capacitor	Overload
Copeland ARF4-0033-IAZ-207	8504643	8504633	None
Tecumseh AE9422E B/M AE172JT-938-A4D	No Longer Available	No Longer Available	No Longer Available
Tecumseh AE9422E B/M AE172JT-941-A4D	No Longer Available	8503723	No Longer Available
Tecumseh AE4430Y B/M AE540JT-964-A4D	No Longer Available	No Longer Available	No Longer Available

230V/60 Hz/1 Ph

Compressor Model Number	Start Relay	Start Capacitor	Overload
Tecumseh AE9422E B/M AE172ET-941-A4D	No Longer Available	8504163	No Longer Available
Tecumseh AE9422E B/M AE122ET-938-A4D	No Longer Available	No Longer Available	No Longer Available
Tecumseh AE4430Y B/M AE540ET-964-A4D	† 8505673	No Longer Available	No Longer Available

† Refer to Cross Reference Guide

TWO DOOR REFRIGERATOR CONTROL BOX



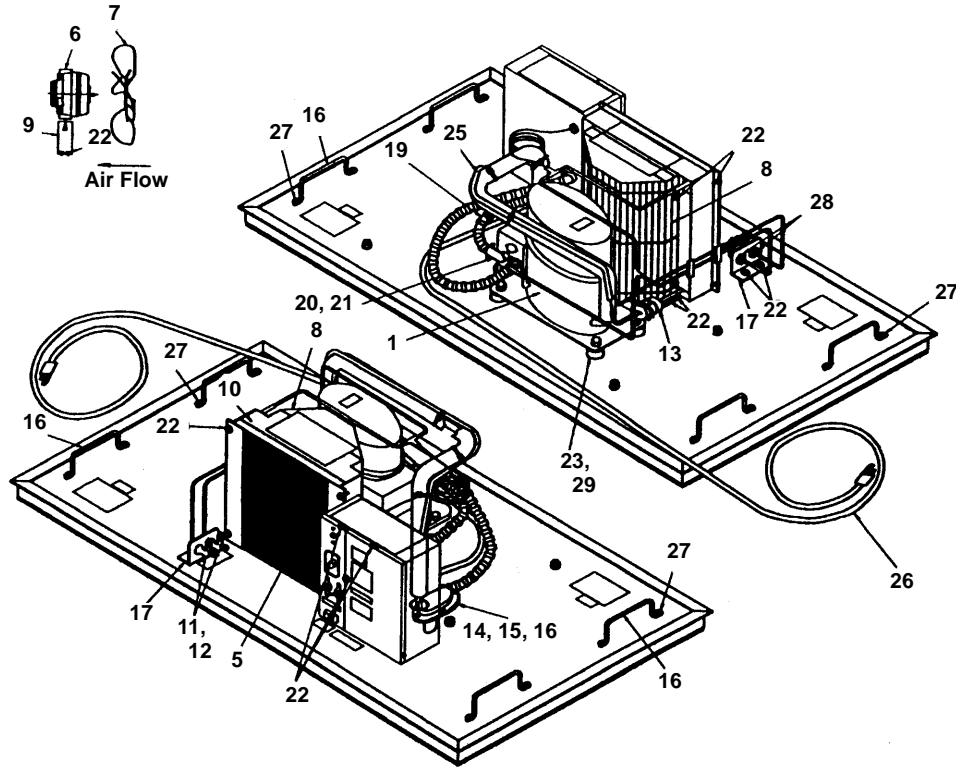
7013

	Up to SN 930580000	930580000 to SN 940680000	940680000 to SN 960180137	Beginning With SN 960180137
1 High Pressure Cut-out	No Longer Available	No Longer Available	† 2355369	None
2 Temperature Control	† 2351079	† 2351079	† 2351079	† 2351079
3 Control Knob Only	2519043	2519043	2519043	2519043
4 Control Plate Only	No Longer Available	No Longer Available	No Longer Available	No Longer Available
5 Mullion Heater Toggle Switch	† 2301409	† 2301409	† 2301409	† 2301409
6 Power Toggle Switch	No Longer Available	No Longer Available	No Longer Available	No Longer Available
7 Relay 60 Hz	2408203	† 2408223	† 2408223	None
8 Terminal Board	2510743	No Longer Available	No Longer Available	No Longer Available
9 Wiring Harness	No Longer Available	No Longer Available	No Longer Available	No Longer Available
10 Control Box Weldment	No Longer Available	No Longer Available	No Longer Available	No Longer Available
11 Control Box Cover, Left Hand	No Longer Available	No Longer Available	No Longer Available	No Longer Available
12 Control Box Cover, Right Hand	No Longer Available	No Longer Available	No Longer Available	No Longer Available
13 Screw, #8-32 x 1/2	† 5026249	† 5121669	† 5121669	None
14 Screw, #10-24 x 1/2	† 5202069	† 5202069	† 5202069	† 5202069
15 Start Capacitor				

(See Page 13)

NOTE: For 230V/50 Hz see Page 12.

TWO DOOR REFRIGERATOR CONDENSER



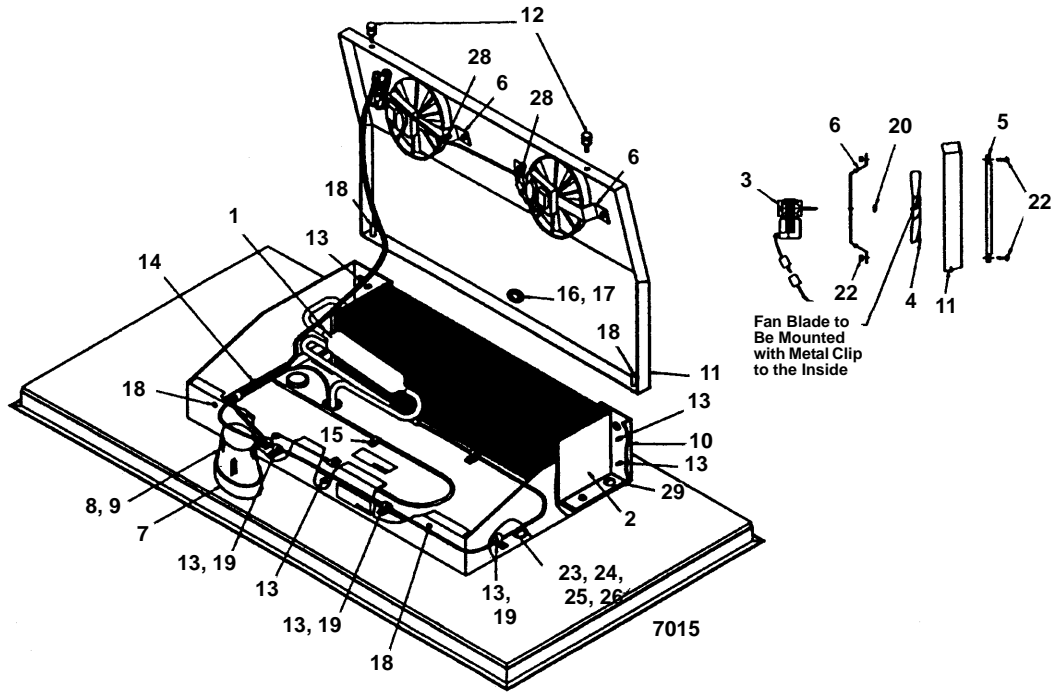
7014

	Up to SN 930580000	930580000 to SN 940680000	940680000 to SN 960180137	Beginning With SN 960180137
1 Compressor 60 Hz	No Longer Available	No Longer Available	No Longer Available	No Longer Available
2 Start Relay			(See Page 13)	No Longer Available
3 Start Capacitor			(See Page 13)	
4 Overload			(See Page 13)	
5 Condenser 60 Hz	No Longer Available	No Longer Available	No Longer Available	No Longer Available
6 Condenser Fan Motor 115/60	No Longer Available	† 2412873	† 2412873	† 2412873
7 Condenser Fan Blade	† 2416021	No Longer Available	† 2416021	† 2416021
8 Condenser Fan Guard	No Longer Available	No Longer Available	No Longer Available	No Longer Available
9 Motor Bracket	No Longer Available	No Longer Available	No Longer Available	No Longer Available
10 Condenser Fan Shroud – Metal	No Longer Available	No Longer Available	No Longer Available	No Longer Available
10a Shroud, Front Air Intake – Black Fiberboard	No Longer Available	No Longer Available	No Longer Available	No Longer Available
11 Process Valve		† 8373109	† 8373109	8373223
12 Valve Core Only		No Longer Available		
13 Drier	† 8930259	† 8930259	† 8930259	† 8930259
14 Vacuum Release Top		No Longer Available	No Longer Available	No Longer Available
15 Vacuum Release Ball		No Longer Available	4302611	4302611
15a Vacuum Fastener Screws		† 5012169	† 5012169	† 5012169
16 Lift Handle	3000683	3000683	3000683	3000683
17 Process Valve Bracket		No Longer Available	No Longer Available	No Longer Available
18 Vacuum Release Screen Barrier		No Longer Available	No Longer Available	No Longer Available
19 Conduit, Extra Flex 0.38 ID		2506003	2506053	2506053
20 Anti-short Bushing		No Longer Available	No Longer Available	No Longer Available
21 Conduit Connector		2501221	2501221	2501221
22 Screw		† 5202069	† 5202069	† 5202069
23 Fastener to Condensing Unit	50357291	† 5035729	† 5035729	† 5035729
24 Wire Harness (Not shown)		No Longer Available	No Longer Available	No Longer Available
25 Capillary Tube Assembly	No Longer Available	No Longer Available	No Longer Available	No Longer Available
26 Power Cord	2030763	2030763	No Longer Available	
27 Fastener 1/4-20 x 3/4	No Longer Available	No Longer Available	No Longer Available	No Longer Available
28 Hex Locknut – Palnut		† 5475039	† 5475039	† 5475039
29 Washer SS		No Longer Available	No Longer Available	No Longer Available

NOTE: For 230V/50 or 230V/60 Hz parts see Page 12.

† Refer to Cross Reference Guide

TWO DOOR REFRIGERATOR EVAPORATOR



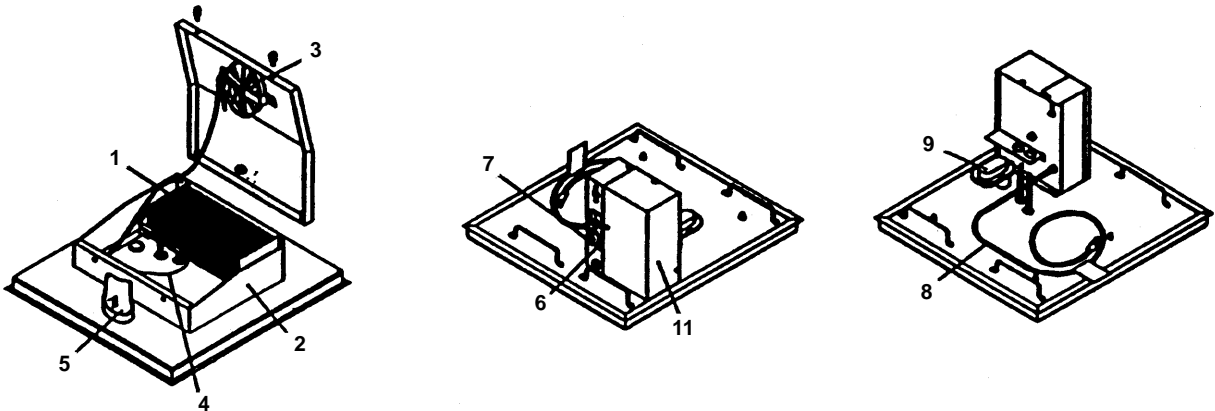
	Up to SN 930580000	930580000 to SN 940680000	Beginning With SN 940680000
1 Accumulator	No Longer Available	No Longer Available	No Longer Available
2 Evaporator	8850673	No Longer Available	8851003
3 Fan Motor 60 Hz	No Longer Available	No Longer Available	No Longer Available
4 Fan Blade – Evaporator	2416163	2416163	2416163
5 Fan Guard – Evaporator	2418103	2418103	2418103
6 Motor Bracket	No Longer Available	No Longer Available	No Longer Available
7 Light Receptacle with Cover	† 2202299	† 2202299	† 2202299
8 Light Cover Only	2202213	2202213	2202213
9 Appliance Light Bulb 60 Hz	2202203	2202203	2202203
10 Evaporator Housing Shroud	None	No Longer Available	No Longer Available
11 Evaporator Fan Shroud Weldment	3400023	No Longer Available	No Longer Available
12 Thumb Screw	5012203	† 5000013	† 5000013
13 Hex Head Screw #10-16 x 0.50		No Longer Available	No Longer Available
14 Nylon Wire Harness Clip		† 5650799	† 5650799
15 Nylon Cable Clamp		† 5650039	
16 Drain Fitting Stud		No Longer Available	
17 Drain Fitting Nut		No Longer Available	
18 Rivnut #8-32		5768561	5768561
19 Nylon Wire Harness Clip		† 5650809	
20 Hex Nut #8-32 with Nylon Insert		† 5429129	† 5429129
21 Nut w/Plastic Insert #12-24		No Longer Available	No Longer Available
22 Screw #12-24 SS		No Longer Available	No Longer Available
23 Screw 5/16-18 x 2.00	No Longer Available	5035743	5035743
24 Nut 5/16-18 SS	No Longer Available	No Longer Available	No Longer Available
25 Washer	No Longer Available	No Longer Available	No Longer Available
26 Lockwasher 5/16 SS	No Longer Available	No Longer Available	No Longer Available
27 Drain Tube Extension (Not shown)*	No Longer Available	No Longer Available	No Longer Available
28 Cable Tie with Mounting Hole		† 5650659	† 5650659
29 Plate		No Longer Available	No Longer Available
*Drain Tube Extension Beginning with SN 940280009	No Longer Available	No Longer Available	No Longer Available
NOT SHOWN – MOUNTED UNDER CABINET			
Condensate Vaporizer	2202183	2202183	2202183
Condensate Vaporizer Bracket	No Longer Available	No Longer Available	No Longer Available
Vaporizer Cord Only	2030939	2030939	2030939

NOTE: For 230V/50 or 230V/60 Hz parts, see Page 12.

† Refer to Cross Reference Guide

REMOTE MODEL REFRIGERATORS

Manitowoc Remote Evaporator Sections (RR1, RR2, RR3) must be used in conjunction with a Manitowoc Reach-In.



7016

The following parts are the same as the two door, self-contained refrigerator head section. Refer to previous pages for part numbers and serial number breaks.

- | | | | |
|---|--|----|---------------------------------------|
| 1 | Evaporator Coil (with stub copper connections) | 7 | Door Heater On/Off Switch |
| 2 | Evaporator Housing | 8 | Power Cord |
| 3 | Evaporator Fan(s) | 9 | Cabinet Vacuum Release |
| 4 | Thermostat | 10 | Wiring for Liquid Line Solenoid Valve |
| 5 | Interior Cabinet Light | 11 | Electrical Control Box |
| 6 | Main On/Off Switch | | |

Field Supplied Components:

- | | | | |
|---|----------------------------------|---|--|
| 1 | Remote Condensing Unit | 5 | Low Pressure Cut-out Control |
| 2 | Expansion Valve | 6 | Inter-connecting Tubing |
| 3 | Liquid Line Drier | 7 | Separate Power Supply |
| 4 | Liquid Line Solenoid (Pump Down) | 8 | Other Parts or Hardware to Complete Installation |

TWO DOOR REFRIGERATOR

230V/50 Hz Application

All parts are the same as 115V/60 Hz application with the following exceptions:

	Up to SN 940680000	940680000 to SN 960180137	Beginning With SN 960180137
CONTROL BOX			
Relay	2408233	2408233	None
CONDENSER			
Compressor	No Longer Available	No Longer Available	7627173
Start Capacitor		(See Page 13)	
Start Relay		(See Page 13)	
Condenser Fan Motor.....	† 2412883	† 2412883	† 2412883
Power Cord.....	No Longer Available	No Longer Available	No Longer Available
EVAPORATOR			
Evaporator Fan Motor.....	No Longer Available	No Longer Available	No Longer Available
Appliance Light Bulb.....	No Longer Available	No Longer Available	No Longer Available
Condensate Vaporizer	2202303	2202303	2202303

230V/60 Hz Application

All parts are the same as 115V/60 Hz application with the following exceptions:

	Up to SN 960180137	Beginning With SN 960180137
CONTROL BOX		
Relay	2408233	None
CONDENSER		
Compressor	No Longer Available	No Longer Available
Compressor Start Components	(See Page 13)	
Condenser Fan Motor.....	† 2412883	† 2412883
Power Cord.....	No Longer Available	No Longer Available
EVAPORATOR		
Evaporator Fan Motor.....	No Longer Available	No Longer Available
Appliance Light Bulb.....	No Longer Available	No Longer Available
Condensate Vaporizer	2202303	2202303

† Refer to Cross Reference Guide

COMPRESSOR COMPONENTS FOR TWO DOOR REFRIGERATOR

115V/60 Hz/1 Ph

Compressor Model Number

Compressor Model Number	Start Relay	Start Capacitor	Overload
Copeland ARF4-0033-IAA-908	† 8504123	No Longer Available	8504113
Copeland ARF4-0033-IAA-207	† 8504123	No Longer Available	8504113
Tecumseh AE2416J B/M AE456AT-941-A4D	8504753	8504163	8504773
Tecumseh AE9422EXA B/M AE172AT-900-A4Y	8504753	No Longer Available	8504773
Tecumseh AE4448Y B/M AE660AT-734-A4D	8504753	8504163	8505203

230V/50 Hz/1 Ph

Compressor Model Number

Compressor Model Number	Start Relay	Start Capacitor	Overload
Copeland ARF4-0033-IAZ-207	8504643	8504633	None
Tecumseh AE2416E B/M AE456JT-941-A4D	8505363	8503723	No Longer Available
Tecumseh AE9422E B/M AE172JT-938-A4D	No Longer Available	No Longer Available	No Longer Available
Tecumseh AE4448Y B/M AE660JT-734-A4D	No Longer Available	No Longer Available	8505243

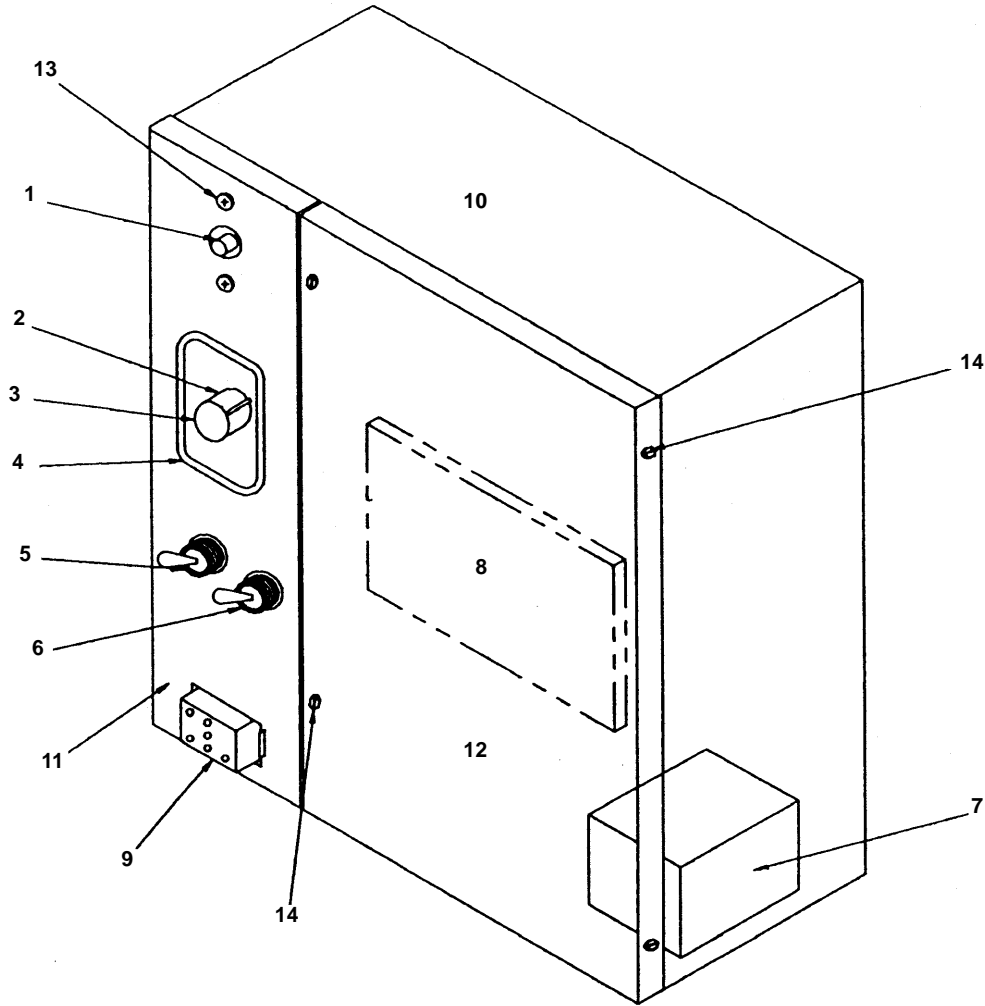
230V/60 Hz/1 Ph

Compressor Model Number

Compressor Model Number	Start Relay	Start Capacitor	Overload
Tecumseh AE2416J B/M AE456ET-941-A4D	No Longer Available	8503723	No Longer Available
Tecumseh AE9422E B/M AE172ET-938-A4D	No Longer Available	No Longer Available	No Longer Available
Tecumseh AE4448Y B/M AE660ET-734-A4D	No Longer Available	8503723	8505523

† Refer to Cross Reference Guide

THREE DOOR REFRIGERATOR CONTROL BOX



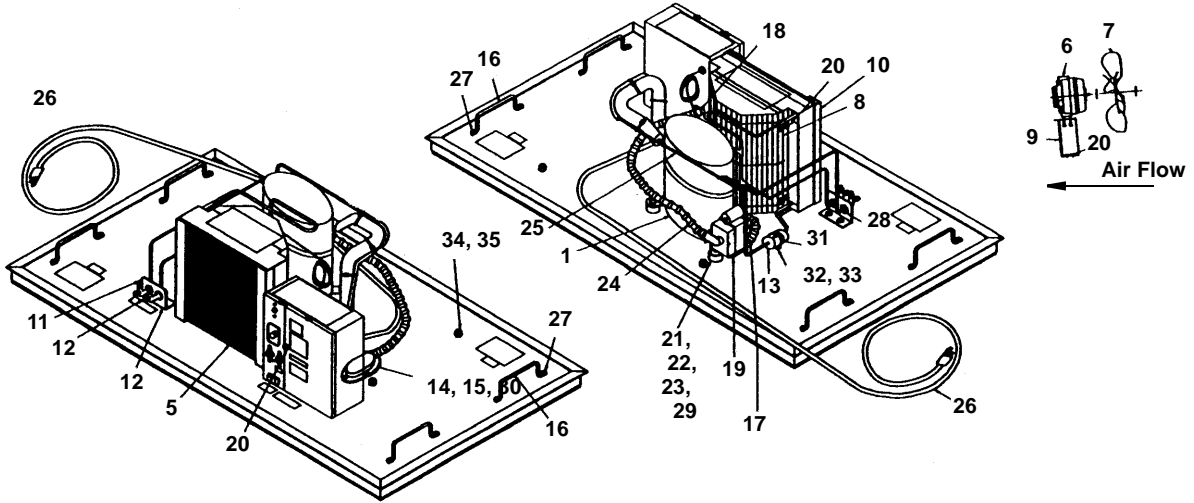
7019

	Up to SN 930380000	930380000 to SN 940580000	940580000 to SN 960180137	Beginning with SN 960180137
1 High Pressure Cut-out	No Longer Available	No Longer Available	† 2355369	None
2 Temperature Control	† 2351079	† 2351079	† 2351079	† 2351079
3 Control Knob Only	2519043	2519043	2519043	2519043
4 Control Plate Only	No Longer Available	No Longer Available	No Longer Available	No Longer Available
5 Mullion Heater Toggle Switch	† 2301409	† 2301409	† 2301409	† 2301409
6 Power Toggle Switch	No Longer Available	No Longer Available	No Longer Available	No Longer Available
7 Relay 60 Hz	2408203	† 2408223	† 2408223	None
8 Terminal Board	2510743	No Longer Available	No Longer Available	No Longer Available
9 Wiring Harness	No Longer Available	No Longer Available	No Longer Available	No Longer Available
10 Control Box Weldment	No Longer Available	No Longer Available	No Longer Available	No Longer Available
11 Control Box Cover, Left Hand	No Longer Available	No Longer Available	No Longer Available	No Longer Available
12 Control Box Cover, Right Hand	No Longer Available	No Longer Available	No Longer Available	No Longer Available
13 Screw, #8-32 x 1/2	† 5026249	† 5121669	† 5121669	None
14 Screw, #10-24 x 1/2	† 5202069	† 5202069	† 5202069	† 5202069
Wiring Harness		2031293	2031293	

NOTE: For 230V/50 or 230V/60 Hz parts, see Page 18.

† Refer to Cross Reference Guide

THREE DOOR REFRIGERATOR CONDENSER



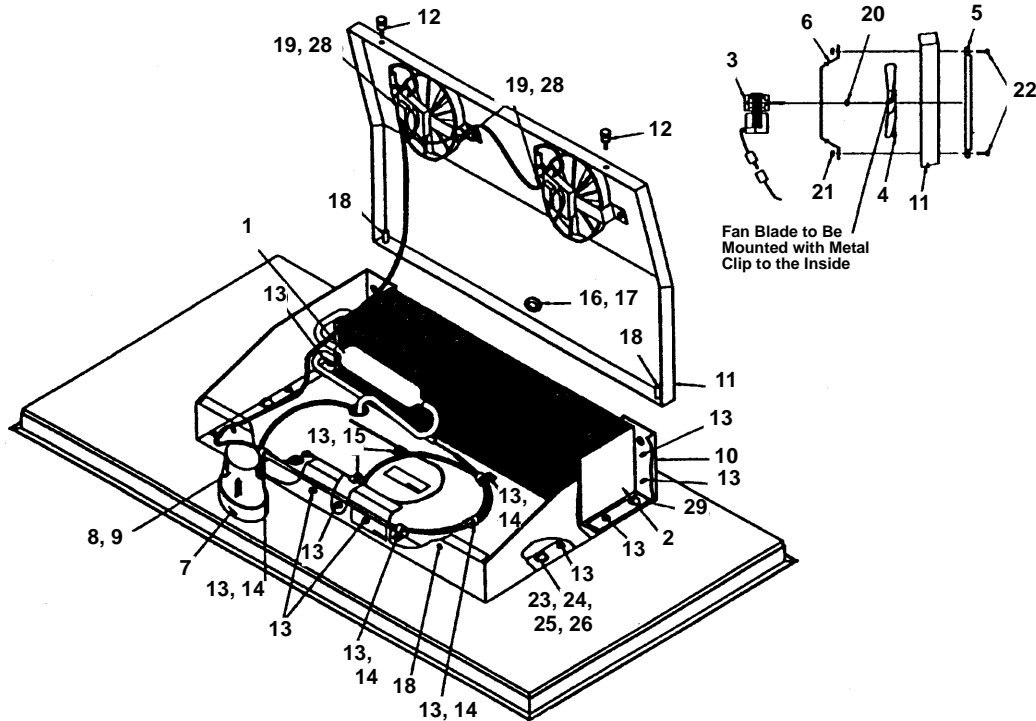
7020

	Up to SN 930380000	930380000 to SN 940580000	940580000 to SN 960180137	Beginning With SN 960180137
1	Compressor 60 Hz	No Longer Available	No Longer Available	No Longer Available
2	Start Relay	No Longer Available	No Longer Available	† 1500011
3	Start Capacitor	No Longer Available	No Longer Available	8503743
4	Overload	No Longer Available	No Longer Available	8503713
5	Condenser 60 Hz	No Longer Available	No Longer Available	† 8504793
6	Condenser Fan Motor 115/60	No Longer Available	No Longer Available	No Longer Available
7	Condenser Fan Blade	No Longer Available	2400151	2400151
8	Condenser Fan Guard	No Longer Available	No Longer Available	No Longer Available
9	Motor Bracket – Copeland	No Longer Available	No Longer Available	No Longer Available
9a	Motor Bracket Used with Emerson Motor	No Longer Available	No Longer Available	No Longer Available
9b	Motor Bracket Used with Morrill Motor	No Longer Available	No Longer Available	No Longer Available
10	Condenser Fan Shroud	No Longer Available	No Longer Available	No Longer Available
10a	Shroud, Front Air Intake, Black Fiberboard, RH	No Longer Available	No Longer Available	No Longer Available
10b	Shroud, Front Air Intake, Black Fiberboard, LH	No Longer Available	No Longer Available	No Longer Available
11	Process Valve	8930223	† 8373109	† 8373109
12	Process Valve Bracket	8930223	No Longer Available	8373223
12a	Valve Core Only	No Longer Available	No Longer Available	No Longer Available
13	Drier	8930223	8930223	8930223
14	Vacuum Release Top	No Longer Available	No Longer Available	No Longer Available
15	Vacuum Release Ball	No Longer Available	No Longer Available	No Longer Available
15a	Vacuum Fastener Screws	3000683	† 5012169	† 5012169
16	Lift Handle	3000683	3000683	3000683
17	Conduit, Extra Flex 0.38 ID	2506003	2506003	2506053
18	Anti-short Bushing	No Longer Available	No Longer Available	No Longer Available
19	Conduit Connector	2501221	2501221	2502293
20	Screw	† 5202069	† 5202069	† 5202069
21	Mounting Grommet	No Longer Available	† 8503069	† 8503069
22	Sleeve	No Longer Available	† 8503949	† 8503949
23	Fastener to Condensing Unit	† 5035729	† 5035729	† 5035729
24	Wire Harness	No Longer Available	No Longer Available	No Longer Available
25	Capillary Tube Assembly*	No Longer Available	No Longer Available	No Longer Available
*Capillary Tube Assembly between SN 950480183 & 960180137				
26	Power Cord	2030763	2030763	No Longer Available
27	Fastener 1/4-20 x 3/4	No Longer Available	No Longer Available	No Longer Available
28	Hex Locknut – Palnut	No Longer Available	† 5475039	† 5475039
29	Washer SS	No Longer Available	No Longer Available	No Longer Available
30	Screen Barrier, Vacuum Release	No Longer Available	No Longer Available	No Longer Available
31	Plastic Cable Tie	† 5650359	† 5650359	No Longer Available
32	Screw Mount	5650613	5650613	No Longer Available
33	Screw, #10-24	† 5202059	† 5202059	No Longer Available
34	Lockwasher	No Longer Available	No Longer Available	No Longer Available
35	Nut, 5/16-18 SS	No Longer Available	No Longer Available	No Longer Available

NOTE: For 230V/50 or 230V/60 Hz, see Page 18.

† Refer to Cross Reference Guide

THREE DOOR REFRIGERATOR EVAPORATOR



7021

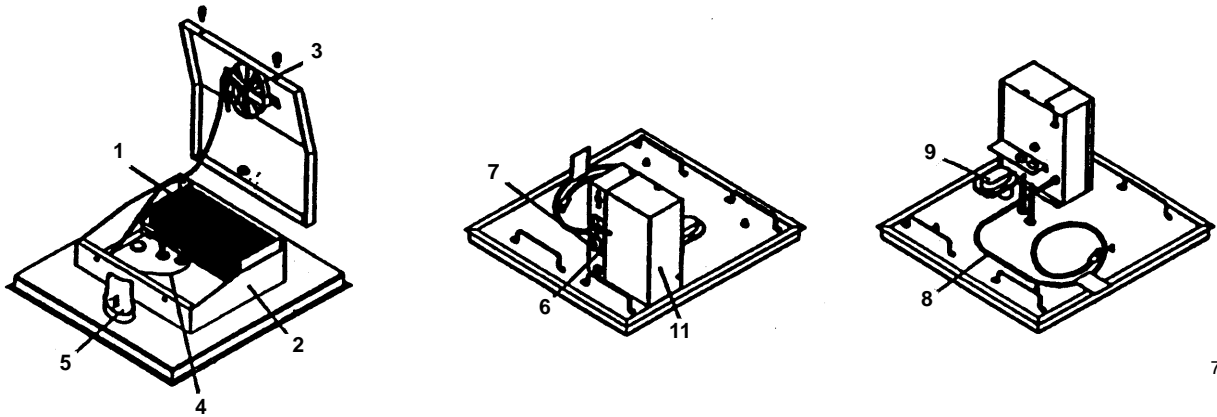
	Up to SN 930380000	930380000 to SN 940580000	940580000 to SN 960180137	Beginning With SN 960180137
1 Accumulator	No Longer Available	No Longer Available	No Longer Available	No Longer Available
2 Evaporator	No Longer Available	8850833	No Longer Available	No Longer Available
3 Fan Motor 60 Hz	No Longer Available	No Longer Available	No Longer Available	No Longer Available
4 Fan Blade – Evaporator	2416163	2416163	2416163	2416163
5 Fan Guard – Evaporator	2418103	2418103	2418103	2418103
6 Motor Bracket	No Longer Available	No Longer Available	No Longer Available	No Longer Available
7 Light Receptacle with Cover	† 2202299	† 2202299	† 2202299	† 2202299
8 Light Cover Only	2202213	2202213	2202213	2202213
9 Appliance Light Bulb 60 Hz	2202203	2202203	2202203	2202203
10 Evaporator Housing Shroud		No Longer Available	6504561	No Longer Available
11 Evaporator Fan Shroud Weldment	No Longer Available	No Longer Available	No Longer Available	No Longer Available
12 Thumb Screw	5012203	† 5000013	† 5000013	† 5000013
13 Hex Head Screw, #10-16 x 0.50		No Longer Available	No Longer Available	No Longer Available
14 Nylon Wire Harness Clip		† 5650799	† 5650799	† 5650799
15 Nylon Cable Clamp		† 5650039		
16 Drain Fitting Stud		No Longer Available		
17 Drain Fitting Nut		No Longer Available		
18 Riv-nut, #8-32		5768561	5768561	5768561
19 Screw, #10-24 x 0.50		† 5202069	† 5202069	† 5202069
20 Hex Nut with Nylon Insert		† 5429129	† 5429129	† 5429129
21 Nut with Plastic Insert, #12-24		No Longer Available	No Longer Available	No Longer Available
22 Screw, #12-24 SS		No Longer Available	No Longer Available	No Longer Available
23 Screw, 5/16-18 x 2.00	No Longer Available	5035743	5035743	5035743
24 Nut, 5/16-18 SS	No Longer Available	5489093	5489093	5489093
25 Washer		No Longer Available	No Longer Available	No Longer Available
26 Lockwasher, 5/16 SS	No Longer Available	No Longer Available	No Longer Available	No Longer Available
27 Drain Tube Extension (Not shown)	No Longer Available	No Longer Available	No Longer Available	No Longer Available
28 Cable Tie with Mounting Hole		† 5650659	† 5650659	† 5650659
29 Plate		No Longer Available	No Longer Available	No Longer Available
NOT SHOWN – MOUNTED UNDER CABINET				
Condensate Vaporizor	2202183	2202183	2202183	2202183
Condensate Vaporizor Bracket	No Longer Available	No Longer Available	No Longer Available	No Longer Available
Vaporizor Cord Only	2030939	2030939	2030939	2030939

NOTE: For 230V/50 or 230V/60 Hz parts, see Page 18.

† Refer to Cross Reference Guide

REMOTE MODEL REFRIGERATORS

Manitowoc Remote Evaporator Sections (RR1, RR2, RR3) must be used in conjunction with a Manitowoc Reach-In.



7022

The following parts are the same as the three door, self-contained refrigerator head section. Refer to previous pages for part numbers and serial number breaks.

- | | | | |
|---|--|----|---------------------------------------|
| 1 | Evaporator Coil (with stub copper connections) | 7 | Door Heater On/Off Switch |
| 2 | Evaporator Housing | 8 | Power Cord |
| 3 | Evaporator Fan(s) | 9 | Cabinet Vacuum Release |
| 4 | Thermostat | 10 | Wiring for Liquid Line Solenoid Valve |
| 5 | Interior Cabinet Light | 11 | Electrical Control Box |
| 6 | Main On/Off Switch | | |

Field Supplied Components:

- | | | | |
|---|----------------------------------|---|--|
| 1 | Remote Condensing Unit | 5 | Low Pressure Cut-out Control |
| 2 | Expansion Valve | 6 | Inter-connecting Tubing |
| 3 | Liquid Line Drier | 7 | Separate Power Supply |
| 4 | Liquid Line Solenoid (Pump Down) | 8 | Other Parts or Hardware to Complete Installation |

THREE DOOR REFRIGERATOR

230V/50 Hz Application

All parts are the same as 115V/60 Hz application with the following exceptions:

	Up to SN 940580000	940580000 to SN 960180137	Beginning With SN 960180137
CONTROL BOX			
Relay	2408233	2408233	None
CONDENSER			
Compressor	No Longer Available	No Longer Available	No Longer Available
Overload			No Longer Available
Start Capacitor	8503143	8503723	No Longer Available
Run Capacitor	8504003		
Start Relay	No Longer Available	No Longer Available	No Longer Available
Condenser Fan Motor	No Longer Available	No Longer Available	No Longer Available
Power Cord	No Longer Available	No Longer Available	No Longer Available
EVAPORATOR			
Evaporator Fan Motor	No Longer Available	No Longer Available	No Longer Available
Appliance Light Bulb	No Longer Available	No Longer Available	No Longer Available
Condensate Vaporizer	2202303	2202303	2202303

230V/60 Hz Application

All parts are the same as 115V/60 Hz application with the following exceptions:

	940580000 to SN 960180137	Beginning With SN 960180137
CONTROL BOX		
Relay	2408233	None
CONDENSER		
Compressor	No Longer Available	No Longer Available
Overload		No Longer Available
Start Capacitor	8503723	No Longer Available
Start Relay	No Longer Available	No Longer Available
Condenser Fan Motor	No Longer Available	† 2412823
Power Cord	No Longer Available	No Longer Available
EVAPORATOR		
Evaporator Fan Motor	No Longer Available	No Longer Available
Appliance Light Bulb	No Longer Available	No Longer Available
Condensate Vaporizer	2202303	2202303

† Refer to Cross Reference Guide