



***Manitowoc***  
**Foodservice**  
**Parts Manual**

For more Parts Information:

<https://manitowocfsg.sysonline.com/Default.aspx>

# TABLE OF CONTENTS

Manitowoc Foodservice [Updated: Sep. 30, 2013]

Manitowoc - Ice & Related

Parts Catalog

Ice Machine

S Series

S Model - QuietCube

S0600C, CVD0675

S0600C Head Section - Control Box Components .....1

S0600C Evaporator Compartment - Common Components .....3

S0600C Refrigeration Compartment - Common Components .....5

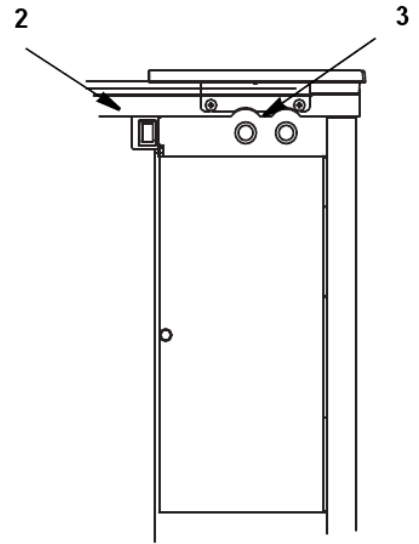
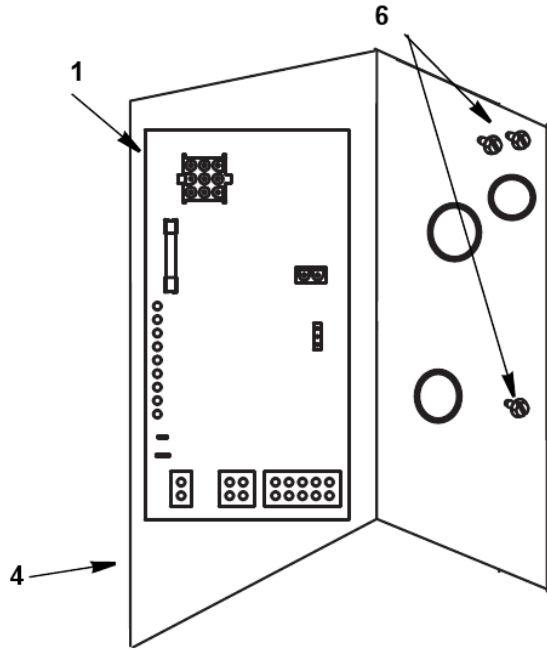
S0600C Head Section - Panels .....8

CVD0675 Condensing Unit - Refrigeration Compartment .....10

CVD0675 Condensing Unit - Panels .....12

# S0600C, CVD0675

## S0600C HEAD SECTION - CONTROL BOX COMPONENTS



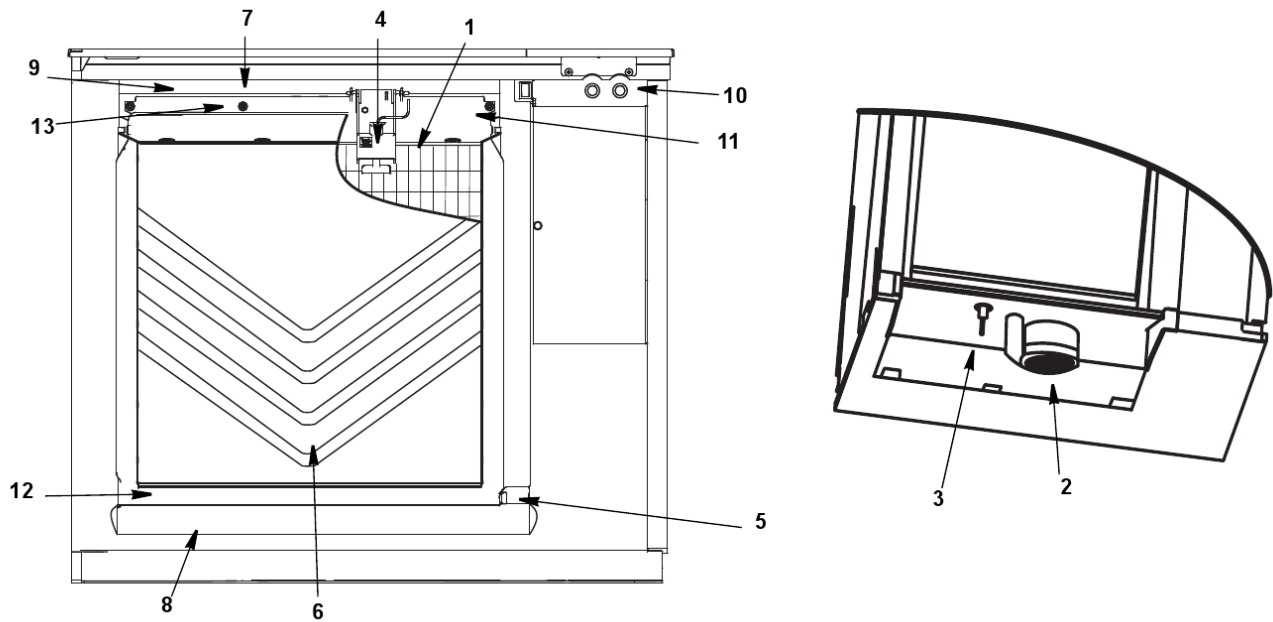
# S0600C, CVD0675

## S0600C HEAD SECTION - CONTROL BOX COMPONENTS

#	PART #	DESCRIPTION	QTY	Note
1	2006199	Control Board		
1a	000008240	7 Amp Fuse - Mounted on Control Board		
2	2007939	Toggle Switch		
2a	2008079	Toggle Switch Wiring Harness		
2b	4011639	Toggle Switch Box		
3	8373263	Refrigeration Service Valve Assembly		
4	7602143	Control Box		
4a	7602153	Control Box Cover		
5	4302253	Control Board Mounting Supports		
6	5202169	Screw - #10-24 x 0.50" Ground		
6a	5573209	Star Washer		
7		Control Box Wiring Harness		
7a	2007769	Control Box Wiring Harness - 115V/60 Hz/1 Ph		
7b	2007779	Control Box Wiring Harness - 230V/50 Hz/1 Ph		

# S0600C, CVD0675

## S0600C EVAPORATOR COMPARTMENT - COMMON COMPONENTS



# S0600C, CVD0675

## S0600C EVAPORATOR COMPARTMENT - COMMON COMPONENTS

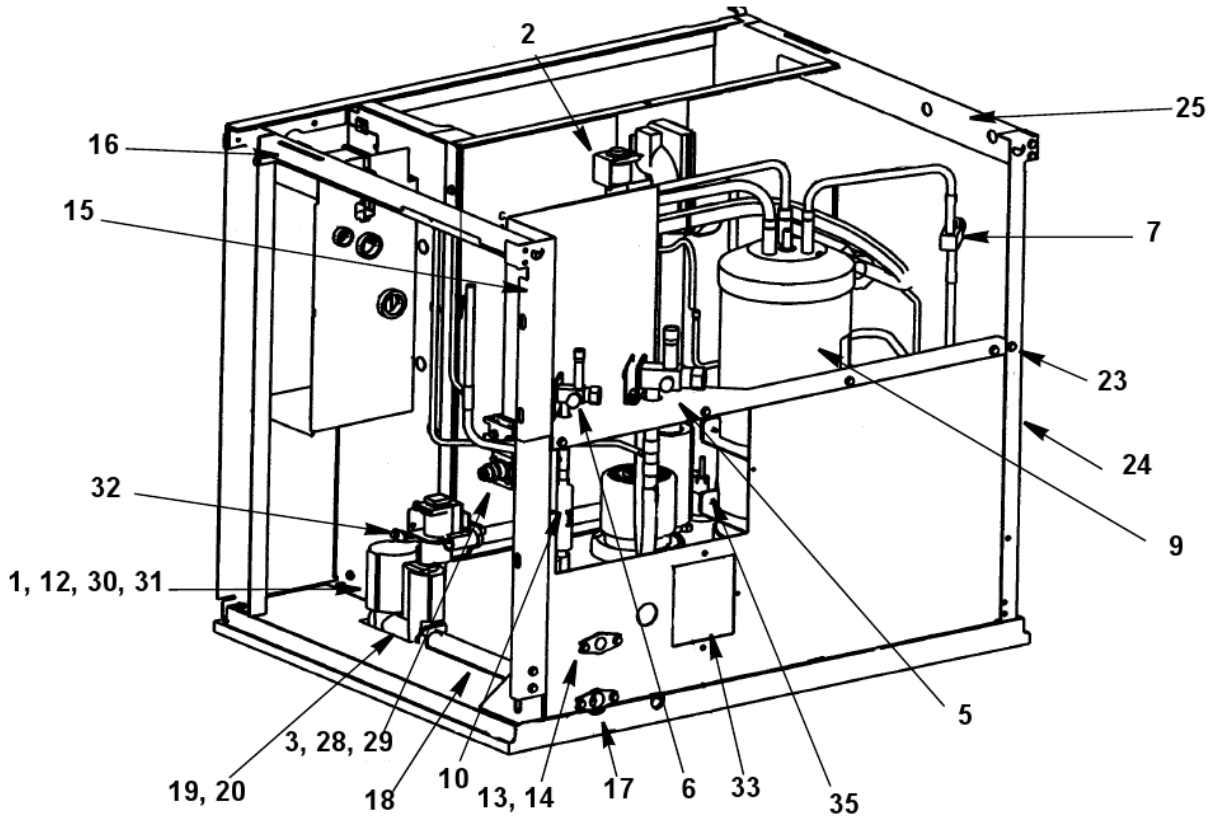
#	PART #	DESCRIPTION	QTY	Note
1		Evaporator Assembly		
1a	7602839	Evaporator - Dice Cube		
1b	7602849	Evaporator - Half Dice Cube		
2		Water Pump		
2a	8251129	Water Pump - 115V/60 Hz		
2b	8252109	Water Pump - 230V/50-60 Hz		
3	2006549	Water Level Probe		
3a	2007989	Wire - Control Box to Probe		
4	2008029	Ice Thickness Control Probe		
5	000007888	Magnetic Bin Switch		
6	4010979	Water Curtain		
7	7602193	Water Distribution Tube - 30" Models		
7a	5004649	O-Rings		[1]
7b	4008479	Molded Vinyl Tube		[2]
8	4003609	Water Trough		[3]
9	4008469	Evaporator Top Filler Panel		
9a	6063339	Bracket - Top Filler Panel		
9b	5202099	Screw - #10-24 x 0.50" PHIL		
10	8373263	Refrigeration Service Valve Assembly		
11	7602203	Evaporator Top Frame Assembly		
12	7602213	Water Diverter - 30" Models		
12a	5305123	Thumbscrew SS - #8-32 x 0.44"		
13	5004799	Thumbscrew SS - #8-32 x 0.375"		
13a	5004629	O-Ring - 0.125" ID		
14	5004619	Screw - #12-16 x 0.687"		
15	5004659	Water Pump Base O-Ring - 4.00" ID		
16	5004679	Water Pump Outlet O-Ring - 0.875" ID		
17	000001382	Vinyl Tubing 0.625" ID		[4]
17a	6038831	Insulation 0.88 ID X 0.25W X 13.50L		

### PART NOTES:

- [1] - Back of Distribution Assembly
- [2] - distrubution tube to water pump
- [3] - \water trough.jpg" width=313 height=169>
- [4] - dump valve to drain adapter

# S0600C, CVD0675

## S0600C REFRIGERATION COMPARTMENT - COMMON COMPONENTS



# S0600C, CVD0675

## S0600C REFRIGERATION COMPARTMENT - COMMON COMPONENTS

#	PART #	DESCRIPTION	QTY	Note
1		Water Dump Valve		
1a	000001767	Water Dump Valve - 115V/60 Hz		
1b	000001768	Water Dump Valve - 208-230V/50-60 Hz		
2		Harvest Valve		
2a	7630051	Solenoid Valve with Coil - 115V/60 Hz		
2b	7630111	Solenoid Valve with Coil - 230V/50-60 Hz		
2c	000005156	Danfoss Solenoid Valve Coil Only - 115V/60 Hz		[1]
2d	000005157	Danfoss Solenoid Valve Coil Only - 230V/50-60 Hz		[2]
3		Water Inlet Valve		
3a	000007965	Water Inlet Valve - 115V/60 Hz/1 Ph		
3b	000007966	Water Inlet Valve - 208-230V/50-60 Hz		
4	7600193	Expansion Valve		
4a	4013299	Valve Insulation Boot - Body		
4b	4007203	Valve Insulation Boot - Bulb		[3]
5	8373303	Manual Shut-Off Valve - Suction Line		
5a	8373023	Valve Cap		
5b	4007403	Valve Insulation Boot - Body		[4]
6	8373293	Manual Shut-off Valve - Liquid Line		
6a	8373023	Valve Cap		
7	8373169	Receiver Service Valve		
7a	5650753	Caps for Refrigeration Service Valve		
8		Liquid Line Solenoid Valve		
8a	7630001	Danfoss Solenoid Valve with Electrical Coil - 115V/60 Hz		
8b	000005156	Danfoss Solenoid Valve Coil Only - 115V/60 Hz		[1]
8c	7630061	Danfoss Solenoid Valve with Coil - 208-230V/50-60 Hz		
8d	000005157	Danfoss Solenoid Valve Coil Only - 230V/50-60 Hz		[2]
9	8250583	Receiver		
10	8373149	Magni-Check Valve - 0.375"		
11	8930279	Drier		
12	6058459	Water Dump Valve Mounting Bracket		
13	8706093	Female Wing Adapter - 0.375"		
14	1360961	Male Connector		
15	6062929	Right Corner Post		
16	6062579	Right Top Channel		
17	8706083	Female Wing Adapter - 0.50"		
18	4420389	Water Drain Clear Tubing, 0.625 ID x 12 inches		
19	4420383	Clear Tubing - 0.625" ID		[5]
20	5650709	Snap Clamp - 0.799"/0.899" ID		
21	5650529	Clamp - Expansion Valve Bulb		
22	3000503	Strap - Expansion Valve Bulb - 0.5"		
23	5202069	Screw - #10-24 x 0.50" HEX		
24	6062931	Left Corner Post		

# S0600C, CVD0675

## S0600C REFRIGERATION COMPARTMENT - COMMON COMPONENTS

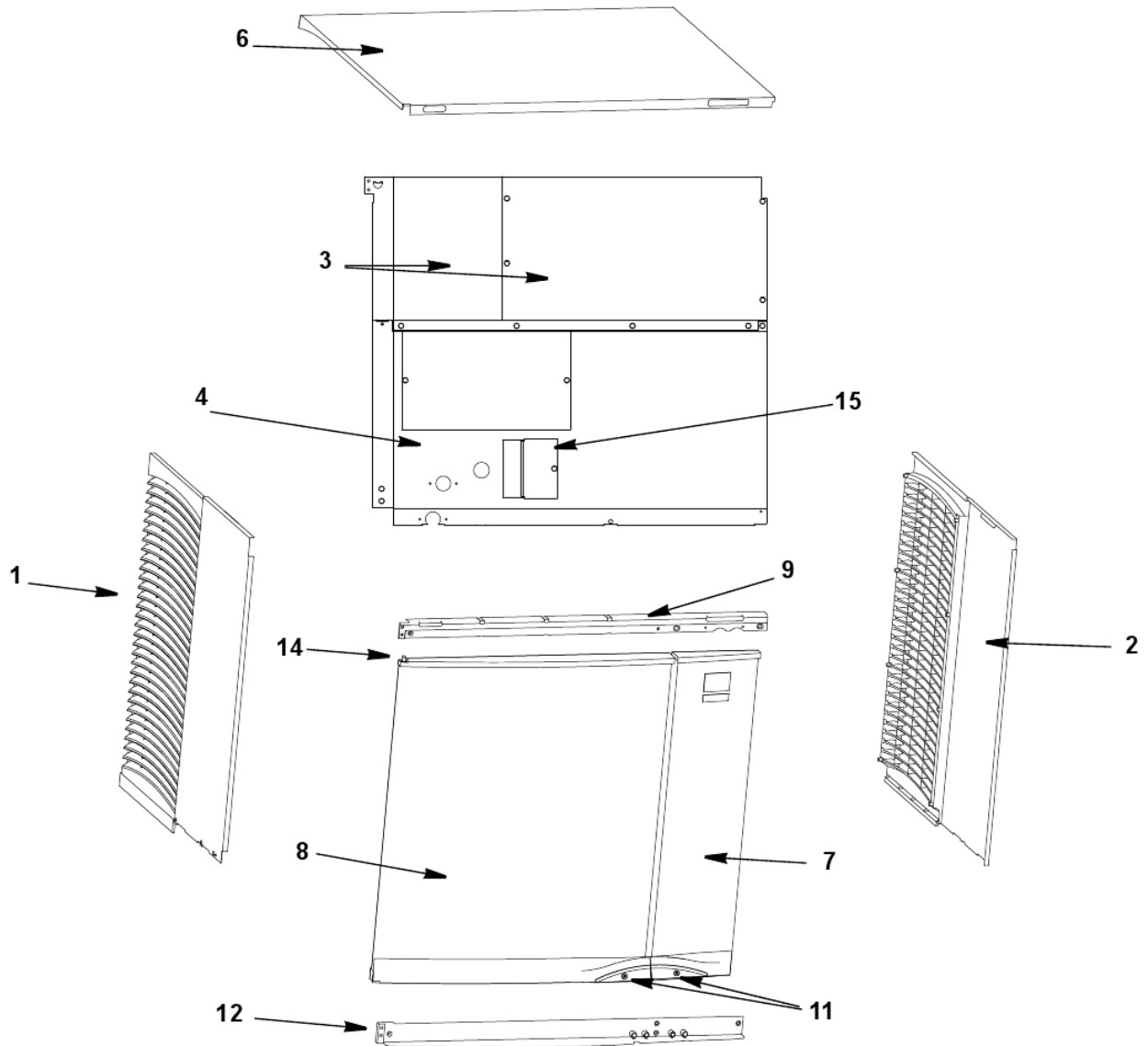
#	PART #	DESCRIPTION	QTY	Note
25	6068649	Left Top Channel		
26	000003405	Insulated Tube		[6]
26a	5650603	Snap Clamp - 1.0" ID		
26b	5650703	Snap Clamp - 0.799"/0.899" ID		
27	4010439	Tubing - Water Inlet Valve		[7]
28	1360989	Connector - Water Inlet Valve		
29	6058459	Water Dump Valve Mounting Bracket		
30	000002473	Check Valve Replacement		[8]
31	5004639	O-ring		
32	000007888	Magnetic Bin Switch		
33		Electrical Box on Rear of Ice Machine		
a		Box		[9]
b	2006143	Terminal Block - 50 Hz - 3 Pole		
c	5202169	Screw - #10-24 x 0.50" Ground		
34	6064669	Receiver Mounting Bracket		
35	2006559	Water Level Probe Holder		
a	5202069	Screw - #10-24 x 0.50" HEX		

### PART NOTES:

- [1] - \pages from 000005156\_02.jpg" width=280 height=256>
- [2] - \pages from 000005156\_02.jpg" width=266 height=183>
- [3] - \pages from 400720\_08.jpg" width=923 height=583>
- [4] - \pages from 400740\_02.jpg" width=362 height=281>
- [5] - 3.25 Inches
- [6] - vinyl tubing from distribution tube to water pump & dump valve
- [7] - \pages from 401043\_05.jpg" width=1797 height=2238>
- [8] - includes water diverter, vinyl tubing & insulation
- [9] - Included in Back Panel Assembly

# S0600C, CVD0675

## S0600C HEAD SECTION - PANELS



# S0600C, CVD0675

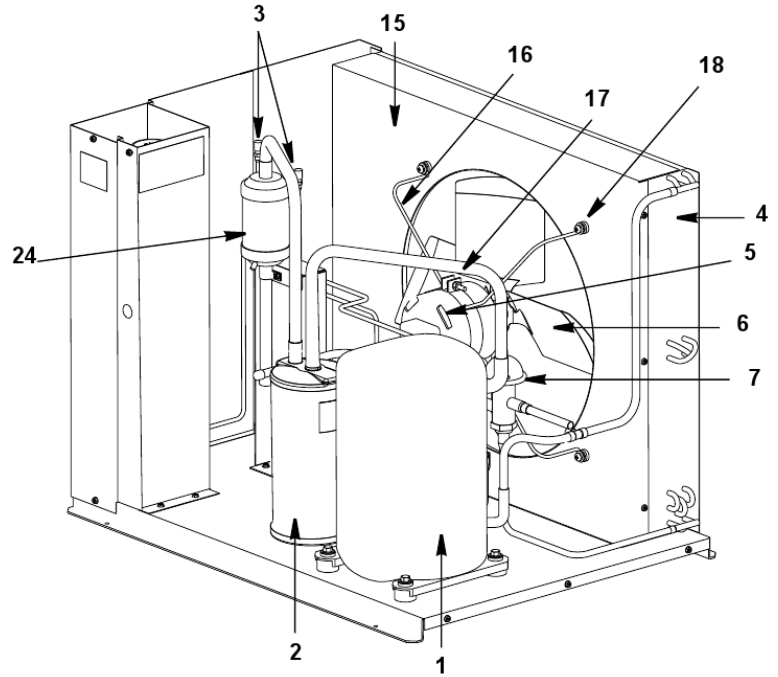
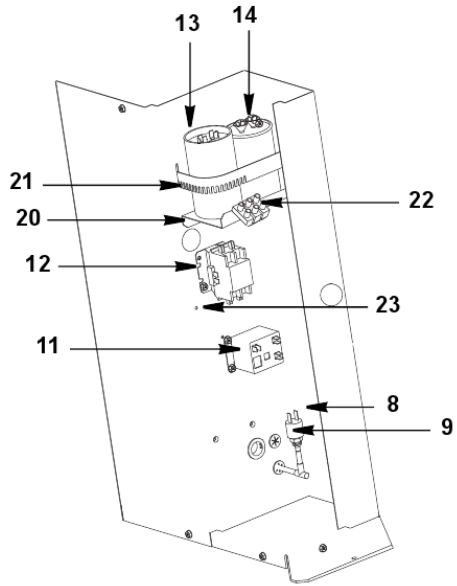
## S0600C HEAD SECTION - PANELS

#	PART #	DESCRIPTION	QTY	Note
1	6060539	Left Side Panel		
2	6060529	Right Side Panel		
3		Top Back Panels		
3a	6064649	Left Side		
3b	6064639	Right Side		
4	6059689	Bottom Back Panel		
5	6062809	Coupling Panel		
		Aluminum Front Top Support on machine		[1]
6	000006699	Top Cover		
7	6071661	Right Door		
8	6071651	Left Door		
9	000000295	Front Top Rail		
9a	5005379	Mounting Screw - #8-32 x 1" PHIL		
9b	5005099	Mounting Screw - #10-16 x 0.625" PHIL		
		Plastic Front Top Support on machine		[2]
7	000006699	Top Cover		
8	6071661	Right Door		
9	6071651	Left Door		
10	000000295	Front Top Rail		
10a	5005379	Mounting Screw - #8-32 x 1" PHIL		
10b	5005099	Mounting Screw - #10-16 x 0.625" PHIL		
11	5004899	Front Door Screw		
12	7602263	Bottom Door Frame		
12a	5005379	Mounting Screw - #8-32 x 1" PHIL		
12b	5202099	Screw - #10-24 x 0.50" PHIL		
13	6062369	Door Catch Bracket		
13a	5026249	Mounting Screw - #8-32 x 0.50" PHIL		
14	3005579	Left Door Pivot Leaf Hinge		[3]
14a	5005379	Mounting Screw - #8-32 x 1" PHIL		
15		Electrical Connection Box Cover		[4]
16	6064041	Top Cover Bracket		
16a	5202069	Screw - #10-24 x 0.50" HEX		
17	4004599	Sachet Holder		[5]
17a	5004799	Thumbscrew SS - #8-32 x 0.375"		
18	7112239	Cartoning		

### PART NOTES:

- [1] - replace all
- [2] - replace as needed
- [3] - Top or Bottom
- [4] - Included in Back Panel Assembly
- [5] - inside left door

## CVD0675 CONDENSING UNIT - REFRIGERATION COMPARTMENT



# S0600C, CVD0675

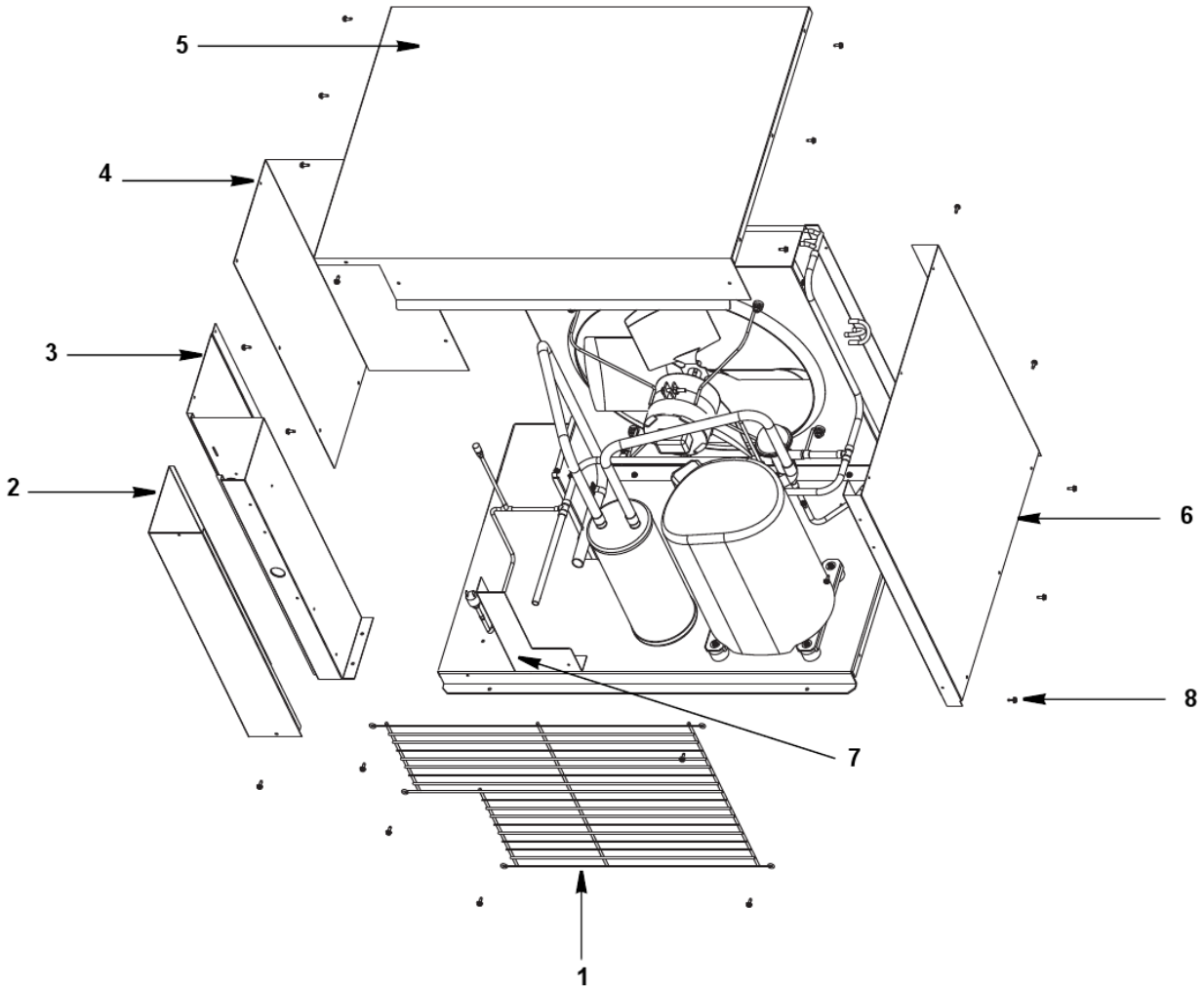
## CVD0675 CONDENSING UNIT - REFRIGERATION COMPARTMENT

#	PART #	DESCRIPTION	QTY	Note
1		Compressor		
1a	7600053	Compressor - Copeland - 208-230V/50-60 Hz/1 Ph		
1b	7600063	Compressor - Copeland - 208-230V/60 Hz/3 Ph		
1c	7600073	Compressor - Copeland - 208-230V/50 Hz/1 Ph		
2	000007280	Suction Accumulator		
3	8373253	Access Valve		
4	8851443	Air-cooled Condenser		
5		Fan Motor		
5a	2000189	Fan Motor - 208-230V/60 Hz/1-3 Ph		
5b	2000583	Fan Motor - 208-230V/50 Hz/1 Ph		
6	2416303	Fan Blade		
7	000004070	Head Pressure Control Valve		
8	2001263	Fan Cycling Control - 200-250 psig		[1]
9	2001243	High Pressure Cut-out Control		
10	2002229	Low Pressure Cut-out Control		
11	2007539	Start Potential Relay - 230V/50-60 Hz/1 Ph		
11a	2007549	Start Potential Relay - 50 Hz/1 Ph		
12	2006609	Contactactor - 208-230V/50-60 Hz/1 Ph		
12a	2006619	Contactactor - 230V/60 Hz/3 Ph		
13	000006454	Start Capacitor - 50-60 Hz/1 Ph		
13a	8505513	Start Capacitor - 50-60 Hz/1 Ph		
14	8503933	Run Capacitor - 115-230V/50-60 Hz/1 Ph		
15	6037041	Fan Shroud		
16	3006823	Fan Motor Mounting Bracket		
17	5033589	Mounting - Screw		
17a	5545119	Mounting - Lockwasher		
17b	5429529	Mounting - Hexnut		
18	5033589	Mounting - Screw		
18a	5545119	Mounting - Lockwasher		
18b	5573059	Mounting - Flatwasher		
18c	5429559	Mounting - Rubber Wellnut		
19	5202069	Screw - #10-24 x 0.50" HEX		[2]
20	6034981	Capacitor Mounting Bracket		
21	6021601	Capacitor Mounting Strap		
22	2006143	Terminal Block - 50 Hz - 3 Pole		[3]
23	5202169	Screw - #10-24 x 0.50" Ground		
24	8250539	Suction Line Filter		

### PART NOTES:

- [1] - \pages from 200126\_09.jpg" width=150 height=306>
- [2] - Used for Panel Attachment
- [3] - 50 Hz Only

CVD0675 CONDENSING UNIT - PANELS



# S0600C, CVD0675

## CVD0675 CONDENSING UNIT - PANELS

#	PART #	DESCRIPTION	QTY	Note
1	3406893	Condenser Fan Guard		
2	6040171	Control Box Cover		
3	6037071	Control Box Panel		
4	6037051	Left Side Panel		
5	6034751	Cover Top		
6	6034701	Right Side Panel		
7	6042261	Condensing Unit Tube Shield		
8	5202069	Screw - #10-24 x 0.50" HEX		
9	000000768	Cartoning		