



Manitowoc
Foodservice
Parts Manual

For more Parts Information:

<https://manitowocfsg.sysonline.com/Default.aspx>

TABLE OF CONTENTS

Manitowoc Foodservice [Updated: Sep. 30, 2013]

Manitowoc - Ice & Related

Parts Catalog

Ice Machine

S Series

S Model - QuietCube

S1000C, CVD1085

S1000C Head Section - Control Box Components1

S1000C Evaporator Compartment - Common Components3

S1000C Refrigeration Compartment - Common Components5

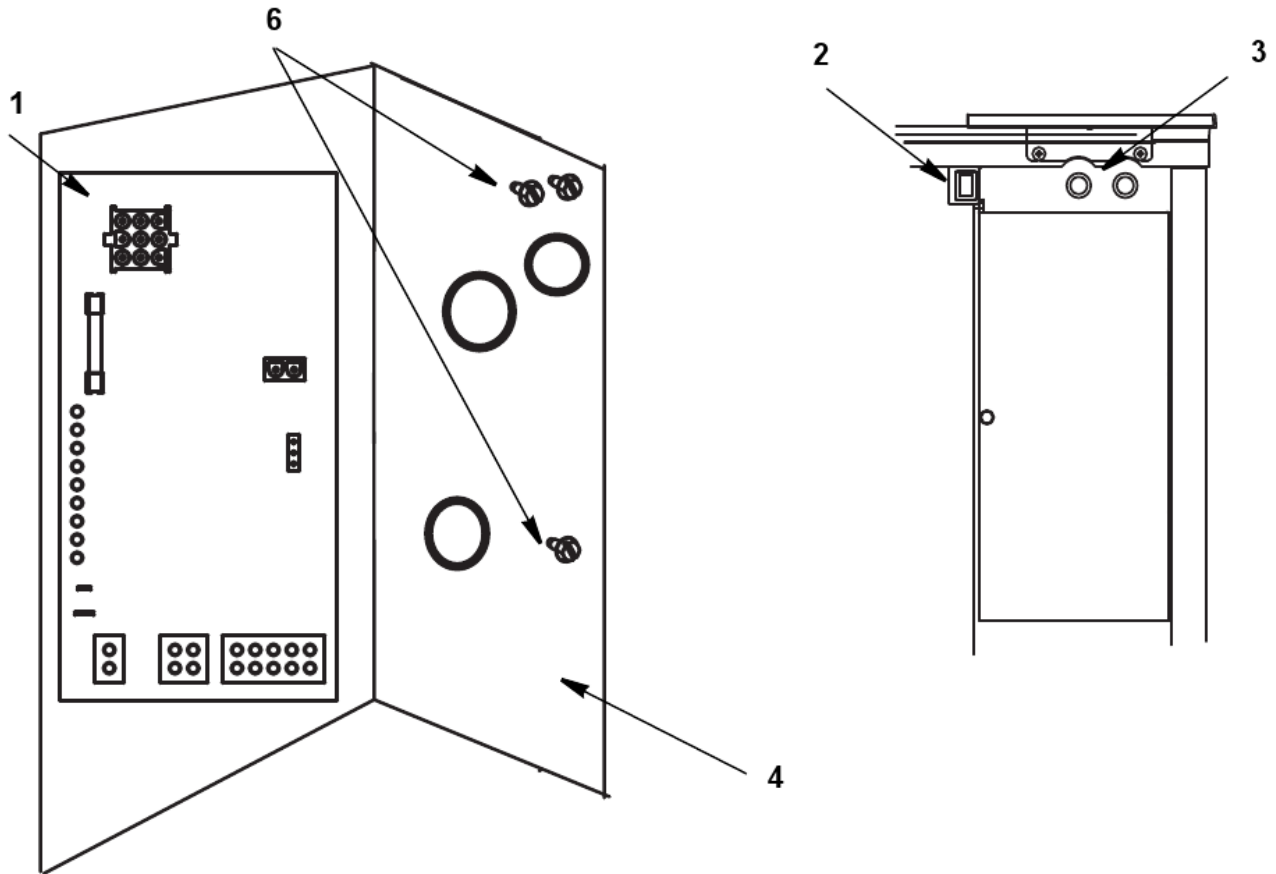
S1000C Head Section - Panels8

CVD1085 Condensing Unit - Refrigeration Compartment10

CVD1085 Condensing Unit - Panels13

S1000C, CVD1085

S1000C HEAD SECTION - CONTROL BOX COMPONENTS



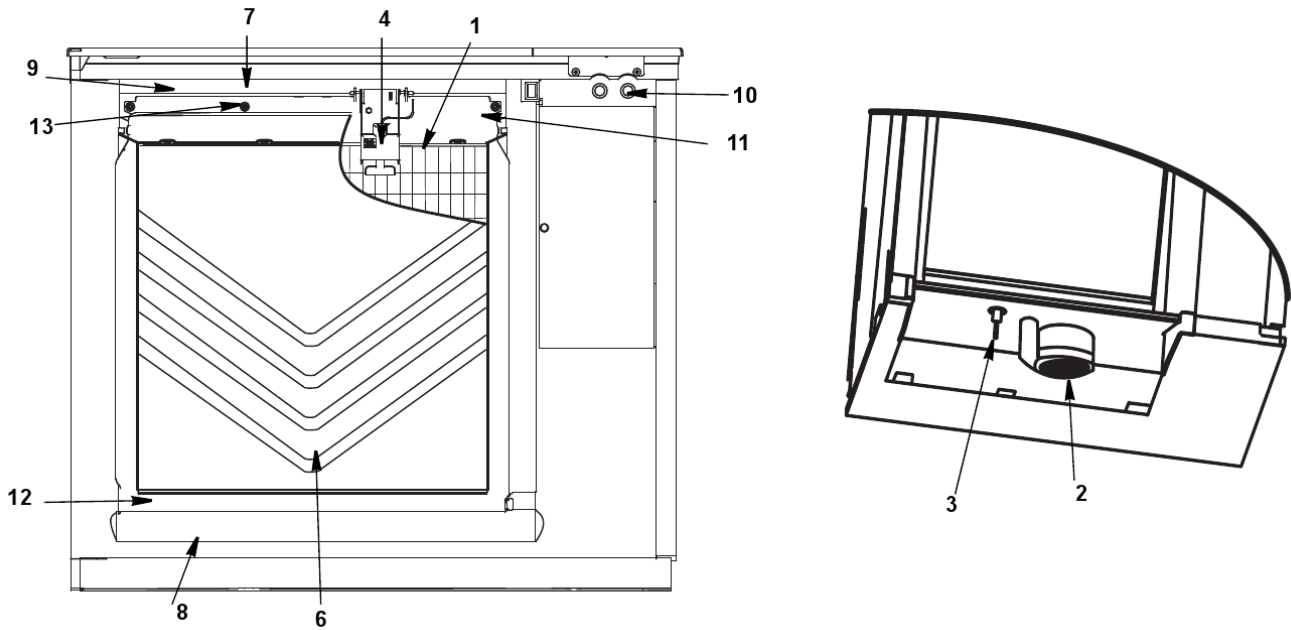
S1000C, CVD1085

S1000C HEAD SECTION - CONTROL BOX COMPONENTS

#	PART #	DESCRIPTION	QTY	Note
1	2006199	Control Board		
1a	000008240	7 Amp Fuse - Mounted on Control Board		
2	2007939	Toggle Switch		
2a	2008079	Toggle Switch Wiring Harness		
2b	4011639	Toggle Switch Box		
3	8373263	Refrigeration Service Valve Assembly		
4	7602143	Control Box		
4a	7602153	Control Box Cover		
5	4302253	Control Board Mounting Supports		
6	5202169	Screw - #10-24 x 0.50" Ground		
6a	5573209	Star Washer		
7		Control Box Wiring Harness		
7a	2007769	Control Box Wiring Harness - 115V/60 Hz/1 Ph		
7b	2007779	Control Box Wiring Harness - 230V/50 Hz/1 Ph		

S1000C, CVD1085

S1000C EVAPORATOR COMPARTMENT - COMMON COMPONENTS



S1000C, CVD1085

S1000C EVAPORATOR COMPARTMENT - COMMON COMPONENTS

#	PART #	DESCRIPTION	QTY	Note
1		Evaporator Assembly		
1a	7602283	Evaporator - Dice Cube		
1b	7602273	Evaporator - Half Dice Cube		
2		Water Pump		
2a	8252269	Water Pump - 115V/60 Hz		
2b	8252709	Water Pump - 230V/50-60 Hz		
3	2006549	Water Level Probe		
3a	2007989	Wire - Control Box to Probe		
4	2008029	Ice Thickness Control Probe		
5	000007888	Magnetic Bin Switch		
6	4010989	Water Curtain		
7	7602193	Water Distribution Tube - 30" Models		
7a	5004649	O-Rings		[1]
7b	4008489	Molded Vinyl Tube		[2]
8	4003609	Water Trough		[3]
9	4008469	Evaporator Top Filler Panel		
9a	6063339	Bracket - Top Filler Panel		
9b	5202099	Screw - #10-24 x 0.50" PHIL		
10	8373263	Refrigeration Service Valve Assembly		
11	7602203	Evaporator Top Frame Assembly		
12	7602213	Water Diverter - 30" Models		
12a	5305123	Thumbscrew SS - #8-32 x 0.44"		
13	5004799	Thumbscrew SS - #8-32 x 0.375"		[4]
13a	5004629	O-Ring - 0.125" ID		
14	5004619	Screw - #12-16 x 0.687"		
14b	5004623	Thumbscrew O-Ring		
15	5004659	Water Pump Base O-Ring - 4.00" ID		
16	5004679	Water Pump Outlet O-Ring - 0.875" ID		
17	000001382	Vinyl Tubing 0.625" ID		[5]
17a	6038831	Insulation 0.88 ID X 0.25W X 13.50L		

PART NOTES:

- [1] - Back of Distribution Assembly
- [2] - distribution tube to water pump
- [3] - \water trough.jpg" width=313 height=169>
- [4] - Water Distribution Tube Mounting
- [5] - dump valve to drain adapter

S1000C, CVD1085

S1000C REFRIGERATION COMPARTMENT - COMMON COMPONENTS

#	PART #	DESCRIPTION	QTY	Note
1		Water Dump Valve		
1a	000001767	Water Dump Valve - 115V/60 Hz		
1b	000001768	Water Dump Valve - 208-230V/50-60 Hz		
2		Harvest Valve		
2a	000002788	Solenoid Valve with Coil - 115V/60 Hz		
2b	7630121	Solenoid Valve with Coil - 208-230V		
2c	2404363	Alco Solenoid Valve Coil Only - 115V/60 Hz		
2d	2404483	Alco Solenoid Valve Coil Only - 230V/50 Hz		
2e	000005156	Danfoss Solenoid Valve Coil Only - 115V/60 Hz		[1]
2f	000005157	Danfoss Solenoid Valve Coil Only - 230V/50-60 Hz		[2]
3		Water Inlet Valve		[3]
3a	000007965	Water Inlet Valve - 115V/60 Hz/1 Ph		[3]
3b	000007966	Water Inlet Valve - 208-230V/50-60 Hz		[3]
3		Water Inlet Valve		[4]
3c	000000375	Water Inlet Valve - 115V/60 Hz/1 Ph		[4]
3d	000007966	Water Inlet Valve - 208-230V/50-60 Hz		[4]
4	7602253	Expansion Valve		
4a	4000363	Valve Insulation Boot - Body		
5	8373303	Manual Shut-Off Valve - Suction Line		
5a	8373023	Valve Cap		
5b	4007403	Valve Insulation Boot - Body		[5]
5c	4007203	Valve Insulation Boot - Bulb		[6]
6	8373293	Manual Shut-off Valve - Liquid Line		
6a	8373023	Valve Cap		
7	8373169	Receiver Service Valve		
7a	5650753	Caps for Refrigeration Service Valve		
8		Liquid Line Solenoid Valve		
8a	7630001	Solenoid Valve with Electrical Coil - 115V/60 Hz		[7]
8b	000005156	Danfoss Solenoid Valve Coil Only - 115V/60 Hz		[1]
8c	7630061	Danfoss Solenoid Valve with Coil - 208-230V/50-60 Hz		
8d	000005157	Danfoss Solenoid Valve Coil Only - 230V/50-60 Hz		[2]
9	7629593	Receiver		
10	8373149	Magni-Check Valve - 0.375"		
11	8930279	Drier		
12		Air Compressor		
12a	7603529	Air Compressor Pump 115V		
12b	000000444	Air Compressor Pump 230V		
12c	4011739	Air Manifold		[8]
12d	000002661	Wiring Harness		
13	6058459	Water Dump Valve Mounting Bracket		
14	8706093	Female Wing Adapter - 0.375"		
15	1360961	Male Connector		

S1000C, CVD1085

S1000C REFRIGERATION COMPARTMENT - COMMON COMPONENTS

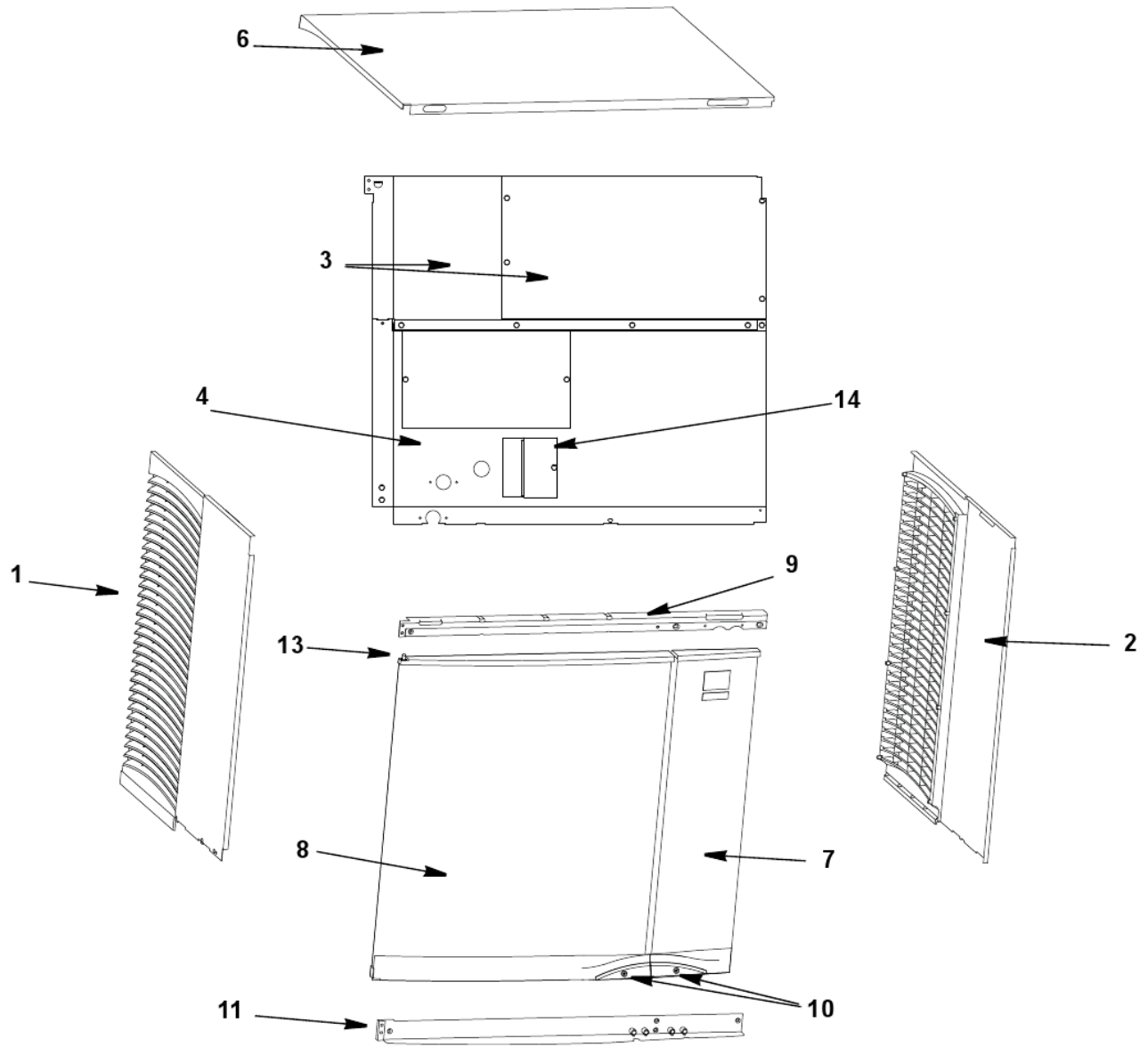
#	PART #	DESCRIPTION	QTY	Note
16	6068659	Left Corner Post		
17	6062579	Right Top Channel		
18	8706083	Female Wing Adapter - 0.50"		
19	4420383	Clear Tubing - 0.625" ID		[9]
20	4420383	Clear Tubing - 0.625" ID		[10]
21	5650709	Snap Clamp - 0.799"/0.899" ID		
22	5650529	Clamp - Expansion Valve Bulb		
23	3000503	Strap - Expansion Valve Bulb - 0.5"		
24	5202069	Screw - #10-24 x 0.50" HEX		
25	6068659	Left Corner Post		
26	6068649	Left Top Channel		
27	000003406	Insulated Tube		[11]
27a	5650603	Snap Clamp - 1.0" ID		
27b	5650703	Snap Clamp - 0.799"/0.899" ID		
28	4010439	Tubing - Water Inlet Valve		[12]
29	1360989	Connector - Water Inlet Valve		
30	6058459	Water Dump Valve Mounting Bracket		
31	000002473	Check Valve Replacement		[13]
32	000007888	Magnetic Bin Switch		
33		Electrical Box on Rear of Ice Machine		
33a		Box		[14]
33b	2006143	Terminal Block - 50 Hz - 3 Pole		
33c	5202169	Screw - #10-24 x 0.50" Ground		
34	2006559	Water Level Probe Holder		
34a	5202099	Screw - #10-24 x 0.50" PHIL		[15]

PART NOTES:

- [1] - \pages from 000005156_02.jpg" width=280 height=256>
- [2] - \pages from 000005156_02.jpg" width=266 height=183>
- [3] - Before Serial Number 110697654
- [4] - After Serial Number 110697654
- [5] - \pages from 400740_02.jpg" width=362 height=281>
- [6] - \pages from 400720_08.jpg" width=923 height=583>
- [7] - Danfoss
- [8] - air pump tubing outlet
- [9] - 12 inches
- [10] - 3.25 inches
- [11] - vinyl tubing from distribution tube to water pump & dump valve
- [12] - \pages from 401043_05.jpg" width=1797 height=2238>
- [13] - includes water diverter, vinyl tubing & insulation
- [14] - Included in Back Panel Assembly
- [15] - to mount water level probe holder

S1000C, CVD1085

S1000C HEAD SECTION - PANELS



S1000C, CVD1085

S1000C HEAD SECTION - PANELS

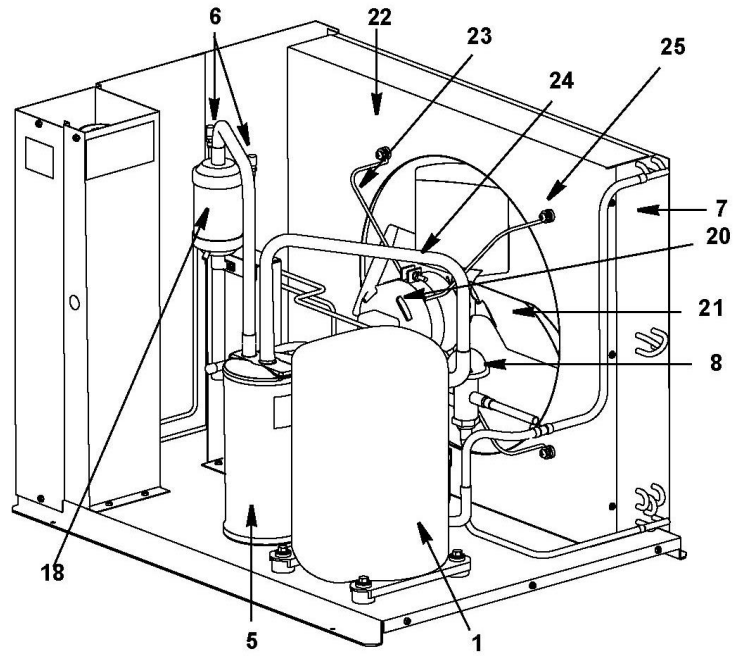
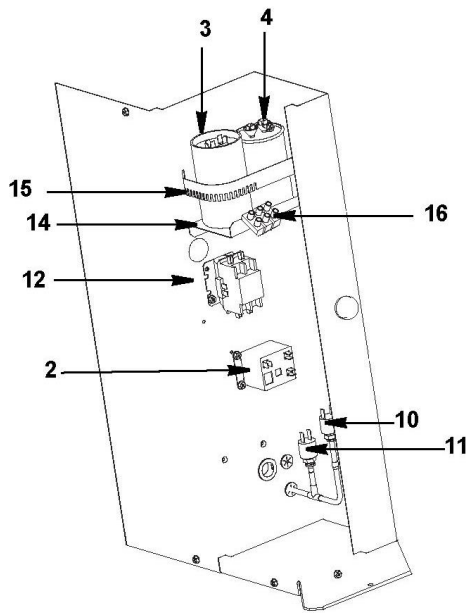
#	PART #	DESCRIPTION	QTY	Note
1	6060559	Left Side Panel		
2	6060549	Right Side Panel		
3		Top Back Panels		
3a	6062759	Top Back Panel - Left Side		
3b	6058679	Top Back Panel - Right Side		
4	6059689	Bottom Back Panel		
5	6062809	Coupling Panel		
		Aluminum Front Top Support on machine (replace all)		
6	000006699	Top Cover		
7	6071221	Right Door		
8	6071211	Left Door		
9	000000295	Front Top Rail		
9a	5005379	Mounting Screw - #8-32 x 1" PHIL		
9b	5005099	Mounting Screw - #10-16 x 0.625" PHIL		
		Plastic Front Top Support on machine (replace as needed)		
6	000006699	Top Cover		
7	6071221	Right Door		
8	6071211	Left Door		
9	000000295	Front Top Rail		
9a	5005379	Mounting Screw - #8-32 x 1" PHIL		
9b	5005099	Mounting Screw - #10-16 x 0.625" PHIL		
10	5004899	Front Door Screw		
11	7602263	Bottom Door Frame		
11a	5005379	Mounting Screw - #8-32 x 1" PHIL		
11b	5202099	Screw - #10-24 x 0.50" PHIL		
12	6062369	Door Catch Bracket		
12a	5026249	Mounting Screw - #8-32 x 0.50" PHIL		
13	3005579	Left Door Pivot Leaf Hinge		[1]
13a	5005379	Mounting Screw - #8-32 x 1" PHIL		
14		Electrical Connection Box Cover		[2]
15	4004599	Sachet Holder		[3]
15a	5004799	Thumbscrew SS - #8-32 x 0.375"		
16	7112359	Cartoning		

PART NOTES:

- [1] - Top or Bottom
- [2] - Included in Back Panel Assembly
- [3] - inside left door

S1000C, CVD1085

CVD1085 CONDENSING UNIT - REFRIGERATION COMPARTMENT



S1000C, CVD1085

CVD1085 CONDENSING UNIT - REFRIGERATION COMPARTMENT

#	PART #	DESCRIPTION	QTY	Note
1		Compressor		[1]
1a	7602293	Compressor - Copeland - 208-230V/60 Hz/1 Ph		[1]
1b	7602303	Compressor - Copeland - 208-230V/60 Hz/3 Ph		[1]
1c	7602313	Compressor - Copeland - 230V/50 Hz/1 Ph		[1]
1		Compressor		[2]
1d	7602223	Compressor - Copeland - 208-230V/60 Hz/1 Ph		[2]
1e	7602233	Compressor - Copeland - 208-230V/60 Hz/3 Ph		[2]
1f	7602243	Compressor - Copeland - 220-240V/50 Hz/ 1 Ph		[2]
2		Start Potential Relay		[1]
2a	2007559	Start Potential Relay - 50-60 Hz/1 Ph		
3		Start Capacitor -		
3a	8503853	Start Capacitor - 50-60 Hz/1 Ph		
3b	000006454	Start Capacitor - 50-60 Hz/1 Ph		
3c	8505513	Start Capacitor - 50-60 Hz/1 Ph		
4		Run Capacitor		
4a	2010133	Run Capacitor - 115-230V/50-60 Hz/1 Ph		
4b	8503933	Run Capacitor - 115-230V/50-60 Hz/1 Ph		
4c	2010133	Run Capacitor - 115-230V/50-60 Hz/1 Ph		
5	000007281	Suction Accumulator		
6	8373253	Access Valve		
7	8851453	Air-cooled Condenser		
8	000001982	Head Pressure Control Valve		
7	000001289	Check Valve		
8	2001263	Fan Cycling Control - 200-250 psig		[3]
9	2001243	High Pressure Cut-out Control		
12		Contactator		
12a	2006609	Contactator - 208-230V/50-60 Hz/1 Ph		
12b	2006619	Contactator - 230V/60 Hz/3 Ph		
13	2002229	Low Pressure Cut-out Control		
14	6034981	Capacitor Mounting Bracket		
15	6021601	Capacitor Mounting Strap		
16	2006143	Terminal Block - 50 Hz - 3 Pole		[4]
17	5202169	Screw - #10-24 x 0.50" Ground		
18	8250539	Suction Line Filter		
19		Wiring Harness		
19a	000006532	Wiring Harness - 230V/60 Hz/1 Ph		
19b	000006531	Wiring Harness - 230V/50 Hz/1 Ph		
19c	2033089	Wiring Harness - 230V/60 Hz/3 Ph		
20		Fan Motor		
20a	2000189	Fan Motor - 208-230V/60 Hz/1-3 Ph		
20b	2000583	Fan Motor - 208-230V/50 Hz/1 Ph		
21	2416303	Fan Blade		

S1000C, CVD1085

CVD1085 CONDENSING UNIT - REFRIGERATION COMPARTMENT

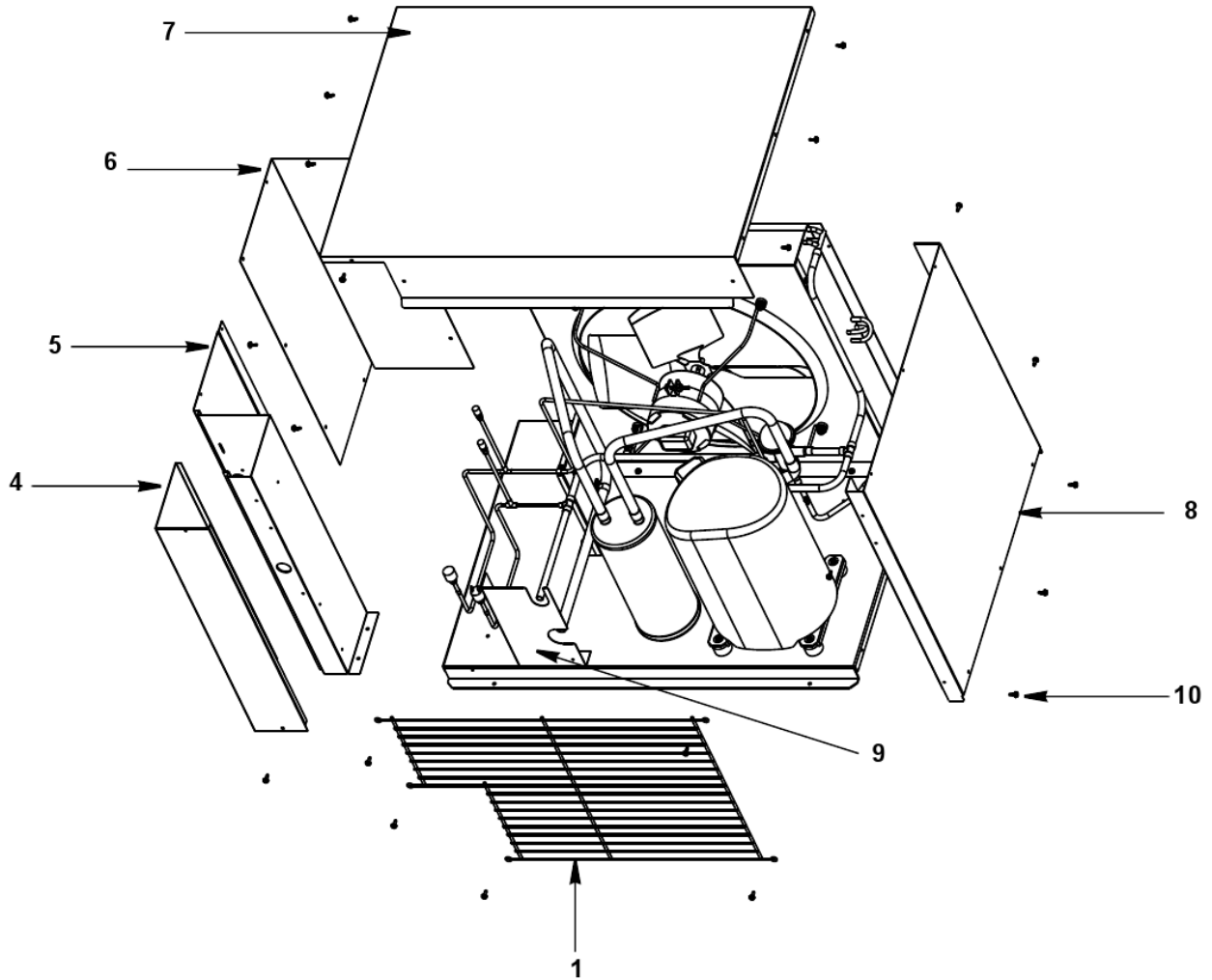
#	PART #	DESCRIPTION	QTY	Note
22	6037041	Fan Shroud		
23	3006823	Fan Motor Mounting Bracket		
24		Fan Motor Mounting		
24a	5033589	Mounting - Screw		
24b	5545119	Mounting - Lockwasher		
24c	5429529	Mounting - Hexnut		
25		Fan Bracket Mounting		
25a	5033589	Mounting - Screw		
25b	5573059	Mounting - Flatwasher		
25c	5545119	Mounting - Lockwasher		
25d	5429559	Mounting - Rubber Wellnut		

PART NOTES:

- [1] - Before Serial Number 110697654
- [2] - After Serial Number 110697654
- [3] - \pages from 200126_09.jpg" width=150 height=306>
- [4] - 50 Hz Only

S1000C, CVD1085

CVD1085 CONDENSING UNIT - PANELS



S1000C, CVD1085

CVD1085 CONDENSING UNIT - PANELS

#	PART #	DESCRIPTION	QTY	Note
1	3406893	Condenser Fan Guard		
4	6040171	Control Box Cover		
5	6037071	Control Box Panel		
6	6037291	Left Side Panel		
7	6034751	Cover Top		
8	6034701	Right Side Panel		
9	6042261	Condensing Unit Tube Shield		
10	5202069	Screw - #10-24 x 0.50" HEX		
11	000000768	Cartoning		