



Manitowoc
Foodservice
Parts Manual

For more Parts Information:

<https://manitowocfsg.sysonline.com/Default.aspx>

TABLE OF CONTENTS

Manitowoc Foodservice [Updated: Sep. 30, 2013]

Manitowoc - Ice & Related

Parts Catalog

Ice Machine

S Series

S Model - QuietCube

S1200C, CVD1285

S1200C Head Section - Control Box Components1

S1200C Evaporator Compartment - Common Components3

S1200C Refrigeration Compartment - Common Components5

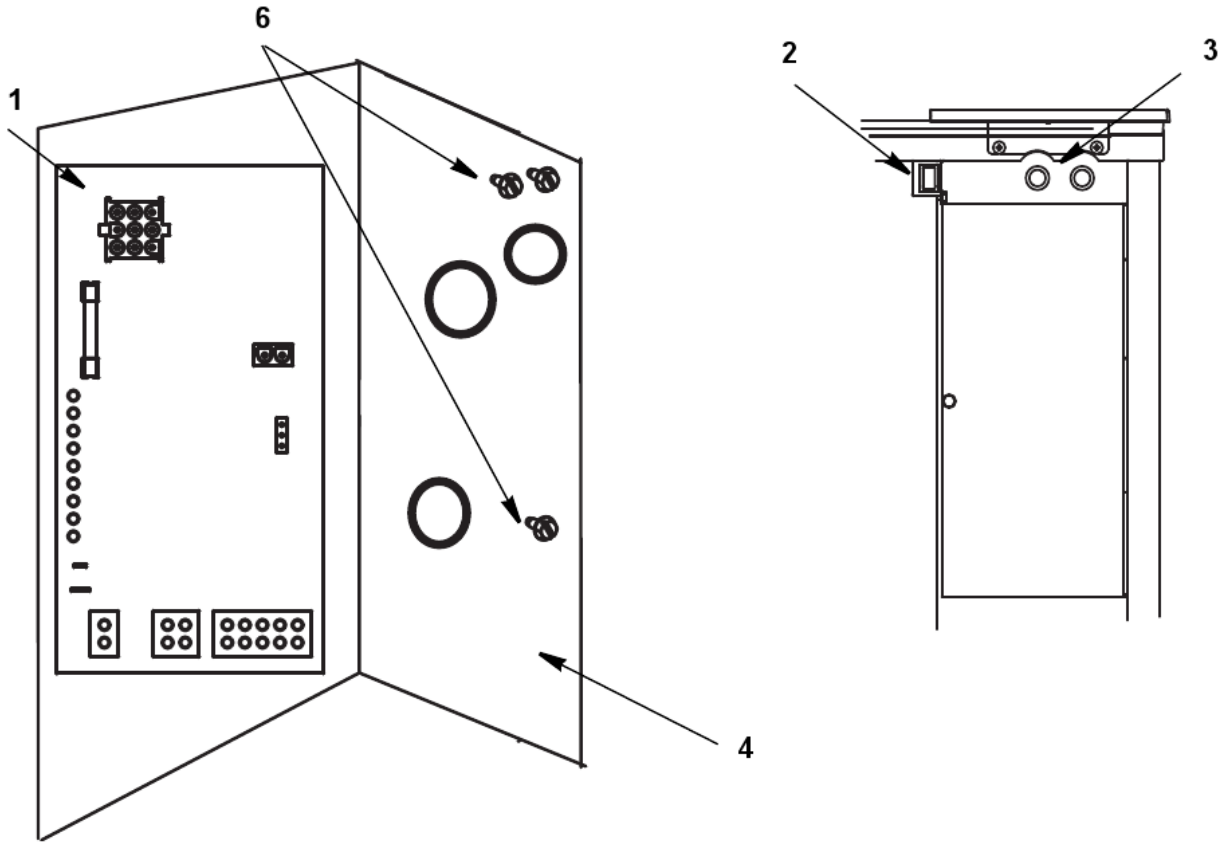
S1200C Head Section - Panels8

CVD1285 Condensing Unit - Refrigeration Compartment10

CVD1285 Condensing Unit - Panels13

S1200C, CVD1285

S1200C HEAD SECTION - CONTROL BOX COMPONENTS



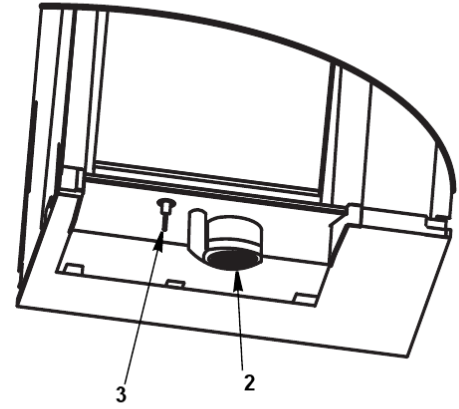
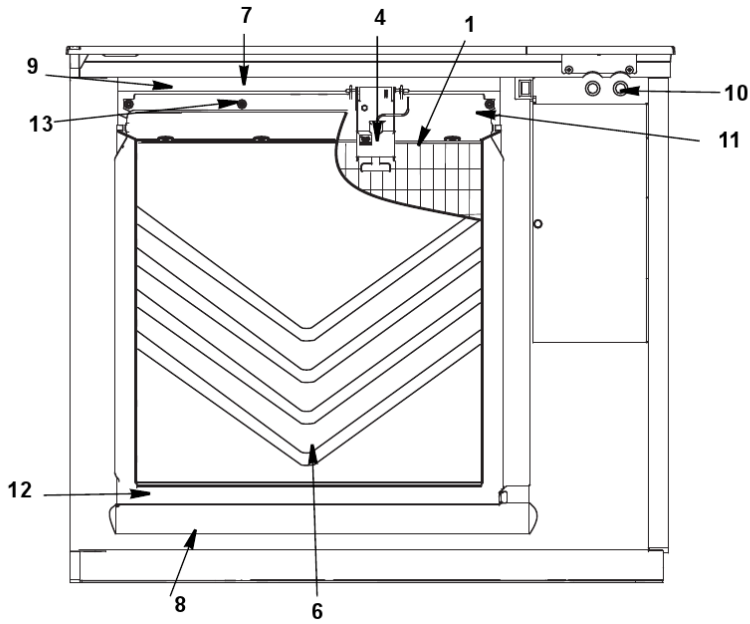
S1200C, CVD1285

S1200C HEAD SECTION - CONTROL BOX COMPONENTS

#	PART #	DESCRIPTION	QTY	Note
1	2006199	Control Board		
1a	000008240	7 Amp Fuse - Mounted on Control Board		
2	2007939	Toggle Switch		
2a	2008079	Toggle Switch Wiring Harness		
2b	4011639	Toggle Switch Box		
3	8373263	Refrigeration Service Valve Assembly		
4	7602143	Control Box		
4a	7602153	Control Box Cover		
5	4302253	Control Board Mounting Supports		
6	5202169	Screw - #10-24 x 0.50" Ground		
6a	5573209	Star Washer		
7		Control Box Wiring Harness		
7a	2007769	Control Box Wiring Harness - 115V/60 Hz/1 Ph		
7b	2007779	Control Box Wiring Harness - 230V/50 Hz/1 Ph		
8	2007439	Harvest Air Assist Pump Wiring Harness		

S1200C, CVD1285

S1200C EVAPORATOR COMPARTMENT - COMMON COMPONENTS



S1200C, CVD1285

S1200C EVAPORATOR COMPARTMENT - COMMON COMPONENTS

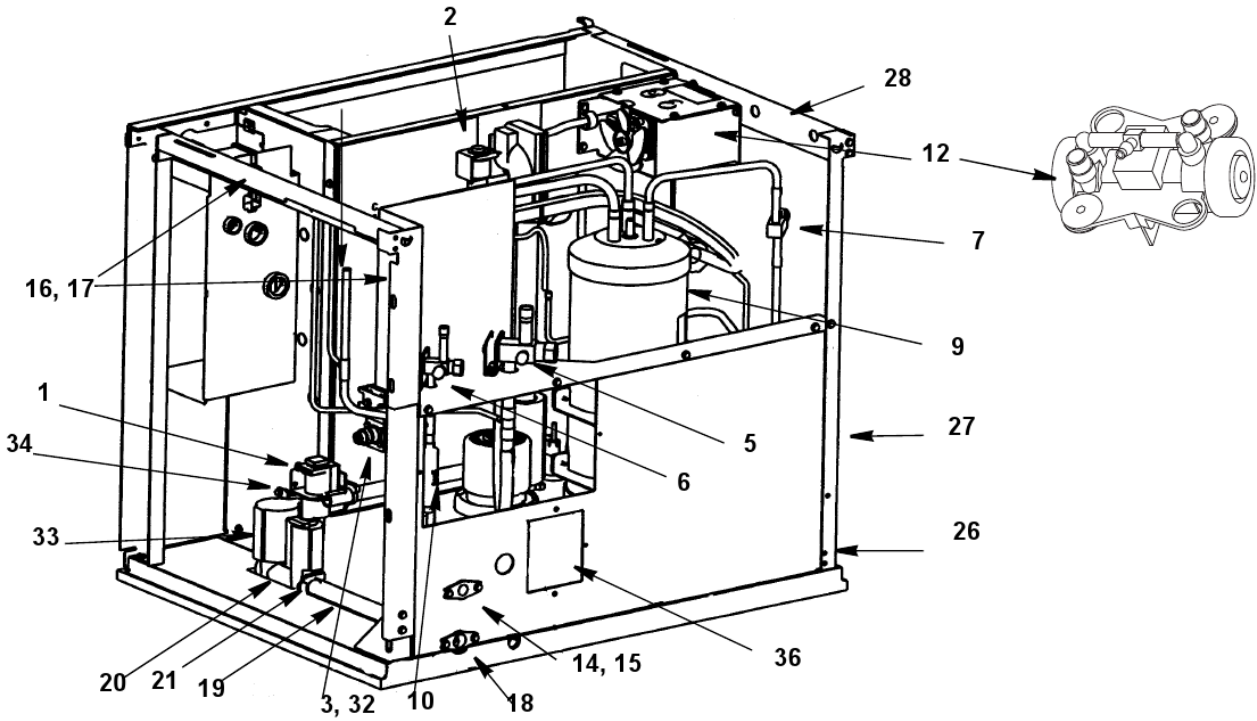
#	PART #	DESCRIPTION	QTY	Note
1		Evaporator Assembly		
1a	7604203	Evaporator - Dice Cube		
1b	7604213	Evaporator - Half Dice Cube		
2		Water Pump		
2a	2008489	Water Pump - 115V/60 Hz		
2b	2008119	Water Pump - 230V/50-60 Hz		
3	2006549	Water Level Probe		
3a	2007989	Wire - Control Box to Probe		
4	2008029	Ice Thickness Control Probe		
5	000007888	Magnetic Bin Switch		
6	4014489	Water Curtain		
7	7602193	Water Distribution Tube - 30" Models		
7a	5004649	O-Rings		[1]
8	4003609	Water Trough		[2]
9	3006729	Evaporator Top Filler Panel		
10	8373263	Refrigeration Service Valve Assembly		
11	7602203	Evaporator Top Frame Assembly		
12	7602213	Water Diverter - 30" Models		
12a	5305123	Thumbscrew SS - #8-32 x 0.44"		
13	5004799	Thumbscrew SS - #8-32 x 0.375"		[3]
13a	5004629	O-Ring - 0.125" ID		
14	5004619	Screw - #12-16 x 0.687"		[4]
15	5004659	Water Pump Base O-Ring - 4.00" ID		
16	5004679	Water Pump Outlet O-Ring - 0.875" ID		
17	000001382	Vinyl Tubing 0.625" ID		[5]
17a	6038831	Insulation 0.88 ID X 0.25W X 13.50L		

PART NOTES:

- [1] - Back of Distribution Assembly
- [2] - \water trough.jpg" width=313 height=169>
- [3] - Water Distribution Tube Mounting
- [4] - each-used to mount evaporator
- [5] - dump valve to drain adapter

S1200C, CVD1285

S1200C REFRIGERATION COMPARTMENT - COMMON COMPONENTS



S1200C, CVD1285

S1200C REFRIGERATION COMPARTMENT - COMMON COMPONENTS

#	PART #	DESCRIPTION	QTY	Note
1		Water Dump Valve		
1a	000001768	Water Dump Valve - 208-230V/50-60 Hz		
2		Harvest Valve		
2a	7603413	Solenoid Valve with Electrical Coil - 115V		
2b	7604223	Solenoid Valve with Electrical Coil - 208-230V		
2c	2007889	Electrical Coil Only - 115V		
2d	2009079	Electrical Coil Only - 208-230V		
3		Water Inlet Valve		
3a	000007965	Water Inlet Valve - 115V/60 Hz/1 Ph		
3b	000007965	Water Inlet Valve - 115V/60 Hz/1 Ph		
4		Expansion Valve (Not Shown)		
4a	7601593	Expansion Valve		
4b	7602253	Expansion Valve		
5	8373283	Manual Shut-off Valve Suction Line		
6	8373273	Manual Shut-off Valve Liquid Line		
7	8373169	Receiver Service Valve		
7a	5650753	Caps for Refrigeration Service Valve		
8		Liquid Line Solenoid Valve		
8a	7630001	Danfoss Solenoid Valve with Electrical Coil - 115V/60 Hz		
8b	000005156	Danfoss Solenoid Valve Coil Only - 115V/60 Hz		[1]
8c	7630061	Danfoss Solenoid Valve with Coil - 208-230V/50-60 Hz		
8d	000005157	Danfoss Solenoid Valve Coil Only - 230V/50-60 Hz		[2]
9	7629593	Receiver		
10	8373159	Magni-Check Valve - 0.5"		
11	8930279	Drier		
12		Air Assist Pump		
12a	7603529	Air Compressor Pump 115V		
12b	000000443	Air Compressor Pump with bracket		
12c	4011739	Air Manifold		[3]
13	6058459	Water Dump Valve Mounting Bracket		
14	8706093	Female Wing Adapter - 0.375"		
15	1360961	Male Connector		
16	6067139	Right Corner Post		
17	6062579	Right Top Channel		
18	8706083	Female Wing Adapter - 0.50"		
19	4420383	Clear Tubing - 0.625" ID		[4]
20	4420383	Clear Tubing - 0.625" ID		[5]
21	5650709	Snap Clamp - 0.799"/0.899" ID		
22	5650529	Clamp - Expansion Valve Bulb		
23	3000813	Copper Bulb Strap		
24	4013299	Valve Insulation Boot - Body		
25	4007203	Valve Insulation Boot - Bulb		[6]

S1200C, CVD1285

S1200C REFRIGERATION COMPARTMENT - COMMON COMPONENTS

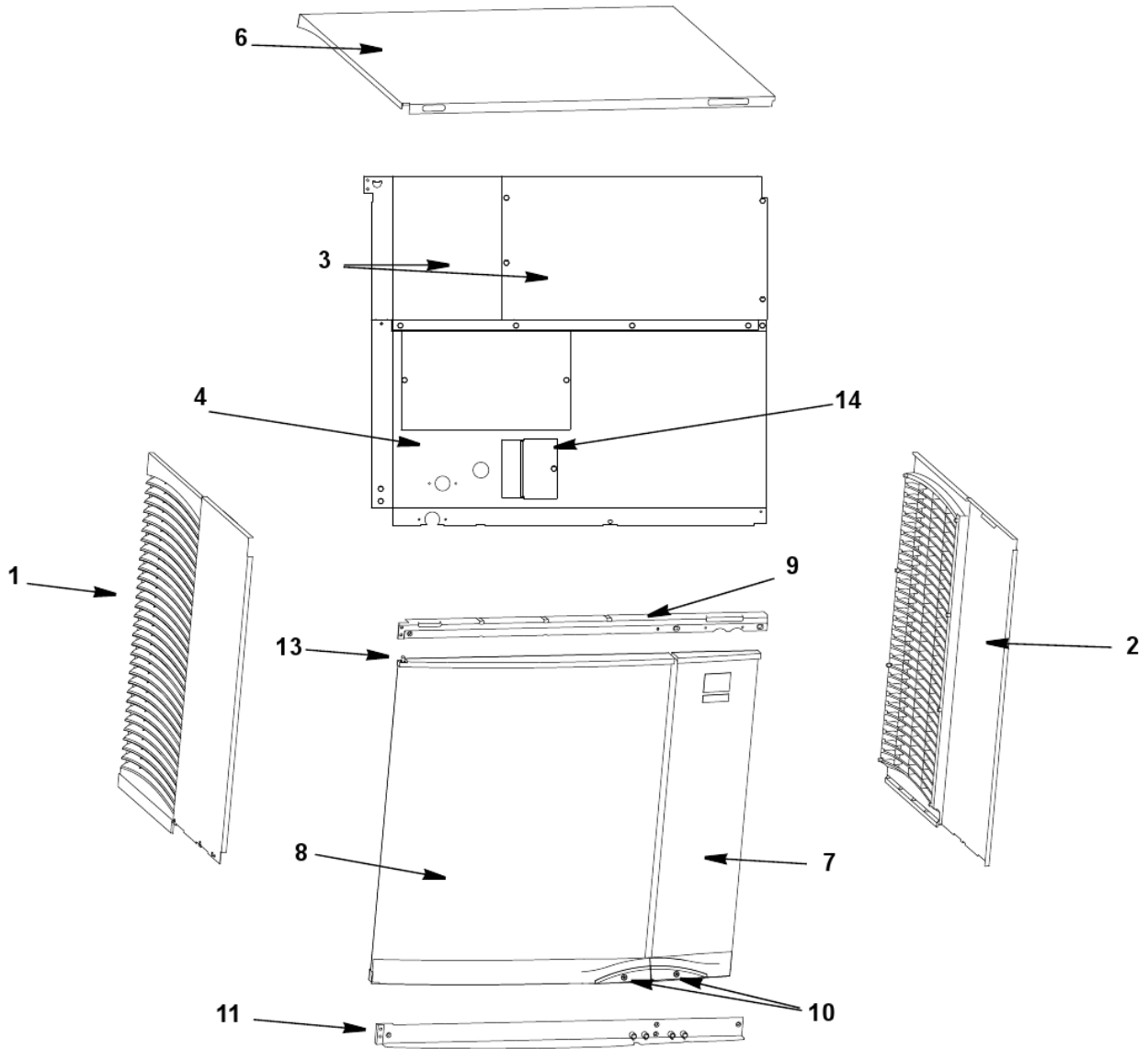
#	PART #	DESCRIPTION	QTY	Note
26	5202069	Screw - #10-24 x 0.50" HEX		
27	6065999	Left Corner Post		
28	6068649	Left Top Channel		
29	000003408	Insulated Tube		[7]
29a	5650603	Snap Clamp - 1.0" ID		
29b	5650703	Snap Clamp - 0.799"/0.899" ID		
30	4010439	Tubing - Water Inlet Valve		[8]
31	1360989	Connector - Water Inlet Valve		
32	6058459	Water Dump Valve Mounting Bracket		
33	000002473	Check Valve Replacement		[9]
34	000007888	Magnetic Bin Switch		
35		Receiver Mounting		
35a	6000561	Receiver Mounting Bracket		
35b	6307214	Receiver Mounting Strap		
36		Electrical Box on Rear of Ice Machine		
36a	6067289	Rear Connection Box		
36b	2006143	Terminal Block - 50 Hz - 3 Pole		
36c	5202169	Screw - #10-24 x 0.50" Ground		
37	2006559	Water Level Probe Holder		
37a	5202069	Screw - #10-24 x 0.50" HEX		[10]

PART NOTES:

- [1] - \pages from 000005156_02.jpg" width=280 height=256>
- [2] - \pages from 000005156_02.jpg" width=266 height=183>
- [3] - air pump tubing outlet
- [4] - 12 inches
- [5] - 3.25 inches
- [6] - \pages from 400720_08.jpg" width=923 height=583>
- [7] - vinyl tubing from distribution tube to water pump & dump valve
- [8] - \pages from 401043_05.jpg" width=1797 height=2238>
- [9] - includes water diverter, vinyl tubing & insulation
- [10] - to mount water level probe holder

S1200C, CVD1285

S1200C HEAD SECTION - PANELS



S1200C, CVD1285

S1200C HEAD SECTION - PANELS

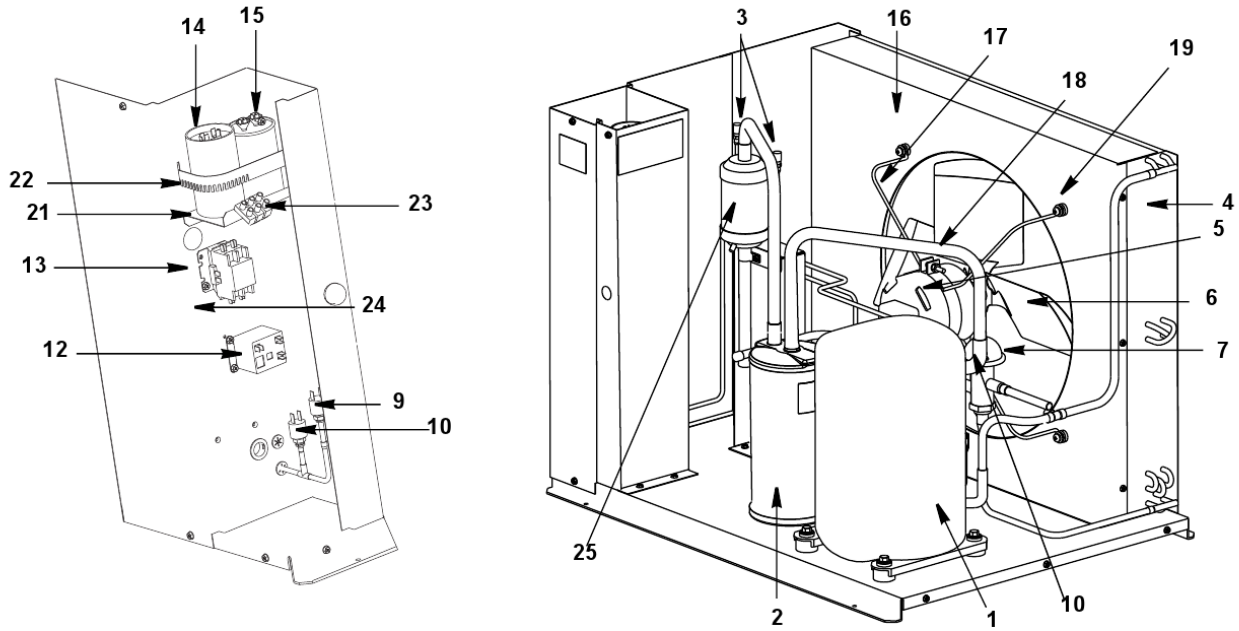
#	PART #	DESCRIPTION	QTY	Note
1	6060579	Left Side Panel		
2	6060569	Right Side Panel		
3		Top Back Panels		
3a	6069249	Left Side		
3b	6069259	Right Side		
4	6059689	Bottom Back Panel		
5	6062809	Coupling Panel		
		Aluminum Front Top Support on machine		[1]
6	000006699	Top Cover		
7	6071701	Right Door		
8	6071691	Left Door		
9	000000295	Front Top Rail		
9a	5005379	Mounting Screw - #8-32 x 1" PHIL		
9b	5005099	Mounting Screw - #10-16 x 0.625" PHIL		
		Plastic Front Top Support on machine		[2]
6	000006699	Top Cover		
7	6071701	Right Door		
8	6071691	Left Door		
9	000000295	Front Top Rail		
9a	5005379	Mounting Screw - #8-32 x 1" PHIL		
9b	5005099	Mounting Screw - #10-16 x 0.625" PHIL		
10	5004899	Front Door Screw		
11	7602263	Bottom Door Frame		
11a	5005379	Mounting Screw - #8-32 x 1" PHIL		
11b	5202099	Screw - #10-24 x 0.50" PHIL		
12	6062369	Door Catch Bracket		
12a	5026249	Mounting Screw - #8-32 x 0.50" PHIL		
13	3005579	Left Door Pivot Leaf Hinge		[3]
13a	5005379	Mounting Screw - #8-32 x 1" PHIL		
14	6067299	Rear Connection Box Cover		
15	4004599	Sachet Holder		[4]
15a	5004799	Thumbscrew SS - #8-32 x 0.375"		
16	7112429	Cartoning		

PART NOTES:

- [1] - replace all
- [2] - replace as needed
- [3] - Top or Bottom
- [4] - inside left door

S1200C, CVD1285

CVD1285 CONDENSING UNIT - REFRIGERATION COMPARTMENT



S1200C, CVD1285

CVD1285 CONDENSING UNIT - REFRIGERATION COMPARTMENT

#	PART #	DESCRIPTION	QTY	Note
1		Compressor (After Serial Number 110706336)		
1a	000008729	Compressor - Copeland - 208-230V/60 Hz/1 Ph		
1b	000008730	Compressor - Copeland - 208-230V/60 Hz/3 Ph		
1c	000008731	Compressor - Copeland - 208-230V/50 Hz/1 Ph		
1		Compressor (Before Serial Number 110706336)		
1a	7603213	Compressor - Copeland - 208-230V/60 Hz/1 Ph		
1b	7603223	Compressor - Copeland - 208-230V/60 Hz/3 Ph		
1c	7603233	Compressor - Copeland - 230V/50 Hz/1 Ph		
2	000007281	Suction Accumulator		
3	8373253	Access Valve		
4	8851393	Air-cooled Condenser		
5		Fan Motor		
5a	2000189	Fan Motor - 208-230V/60 Hz/1-3 Ph		[1]
5b	2000583	Fan Motor - 208-230V/50 Hz/1 Ph		
6	2416113	Fan Blade		
7	000001982	Head Pressure Control Valve		
8	000001289	Check Valve		
9	2001263	Fan Cycling Control - 200-250 psig		[2]
10	2001243	High Pressure Cut-out Control		
11	2002229	Low Pressure Cut-out Control		
12	2007559	Start Potential Relay - 50-60 Hz/1 Ph		
13		Contactactor		
13a	2006609	Contactactor - 208-230V/50-60 Hz/1 Ph		
13b	2006619	Contactactor - 230V/60 Hz/3 Ph		
14		Start Capacitor 50-60 Hz/1 Ph		
14a	8503843	Start Capacitor - 115-230V/50-60 Hz		
14b	000006454	Start Capacitor - 50-60 Hz/1 Ph		
15		Run Capacitor - See Note for Serial Break		
15a	2010133	Run Capacitor - 115-230V/50-60 Hz/1 Ph		
15b	2010133	Run Capacitor - 115-230V/50-60 Hz/1 Ph		[3]
15c	000001395	Run Capacitor - 208-230V/50-60 Hz/1 Ph		[4]
16	6034491	Fan Shroud		
17	3006823	Fan Motor Mounting Bracket		
18	5033589	Mounting - Screw		
18a	5545119	Mounting - Lockwasher		
18b	5429529	Mounting - Hexnut		
19	5032389	Fan Bracket Mounting Screw		
19a	5545119	Mounting - Lockwasher		
19b	5573059	Mounting - Flatwasher		
19c	5429559	Mounting - Rubber Wellnut		
20	5202069	Screw - #10-24 x 0.50" HEX		[5]
21	6034981	Capacitor Mounting Bracket		

S1200C, CVD1285

CVD1285 CONDENSING UNIT - REFRIGERATION COMPARTMENT

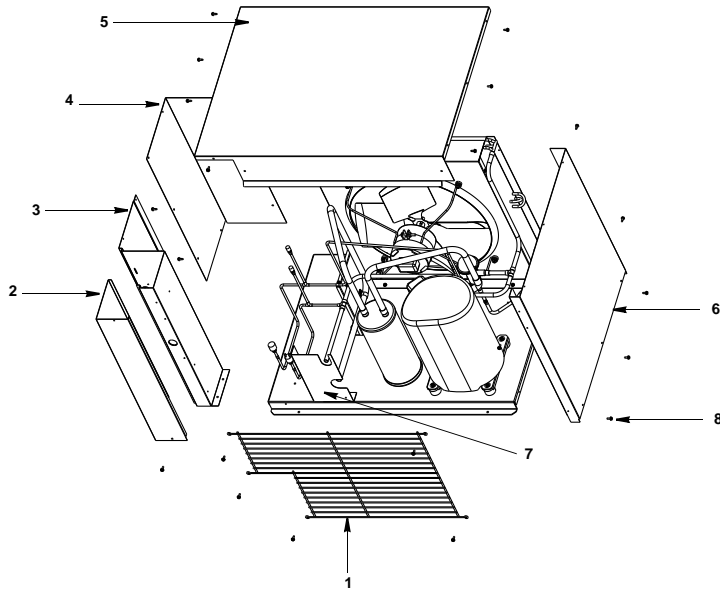
#	PART #	DESCRIPTION	QTY	Note
22	6021601	Capacitor Mounting Strap		
23	2006143	Terminal Block - 50 Hz - 3 Pole		[6]
24	5202169	Screw - #10-24 x 0.50" Ground		
25	8250549	Suction Line Filter		
26	2007619	Copeland Plug Assembly Wiring Harness, 230V/50-60Hz/1-3 Ph		
27		Wiring Harness		
27a	000006532	Wiring Harness - 230V/60 Hz/1 Ph		
27b	000006531	Wiring Harness - 230V/50 Hz/1 Ph		
27c	2033089	Wiring Harness - 230V/60 Hz/3 Ph		

PART NOTES:

- [1] - or 3 Ph
- [2] - \pages from 200126_09.jpg" width=150 height=306>
- [3] - After Serial Number 110706336
- [4] - Before Serial Number 110706336
- [5] - Used for Panel Attachment Not shown
- [6] - 50 Hz Only

S1200C, CVD1285

CVD1285 CONDENSING UNIT - PANELS



S1200C, CVD1285

CVD1285 CONDENSING UNIT - PANELS

#	PART #	DESCRIPTION	QTY	Note
1	3406893	Condenser Fan Guard		
2	6040171	Control Box Cover		
3	6037071	Control Box Panel		
4	6037291	Left Side Panel		
5	6034751	Cover Top		
6	6034701	Right Side Panel		
7	6042261	Condensing Unit Tube Shield		
8	5202069	Screw - #10-24 x 0.50" HEX		
9	000000768	Cartoning		