



Manitowoc
Foodservice
Parts Manual

For more Parts Information:

<https://manitowocfsg.sysonline.com/Default.aspx>

TABLE OF CONTENTS

Manitowoc Foodservice [Updated: Sep. 30, 2013]

Manitowoc - Ice & Related

Parts Catalog

Ice Machine

S Series

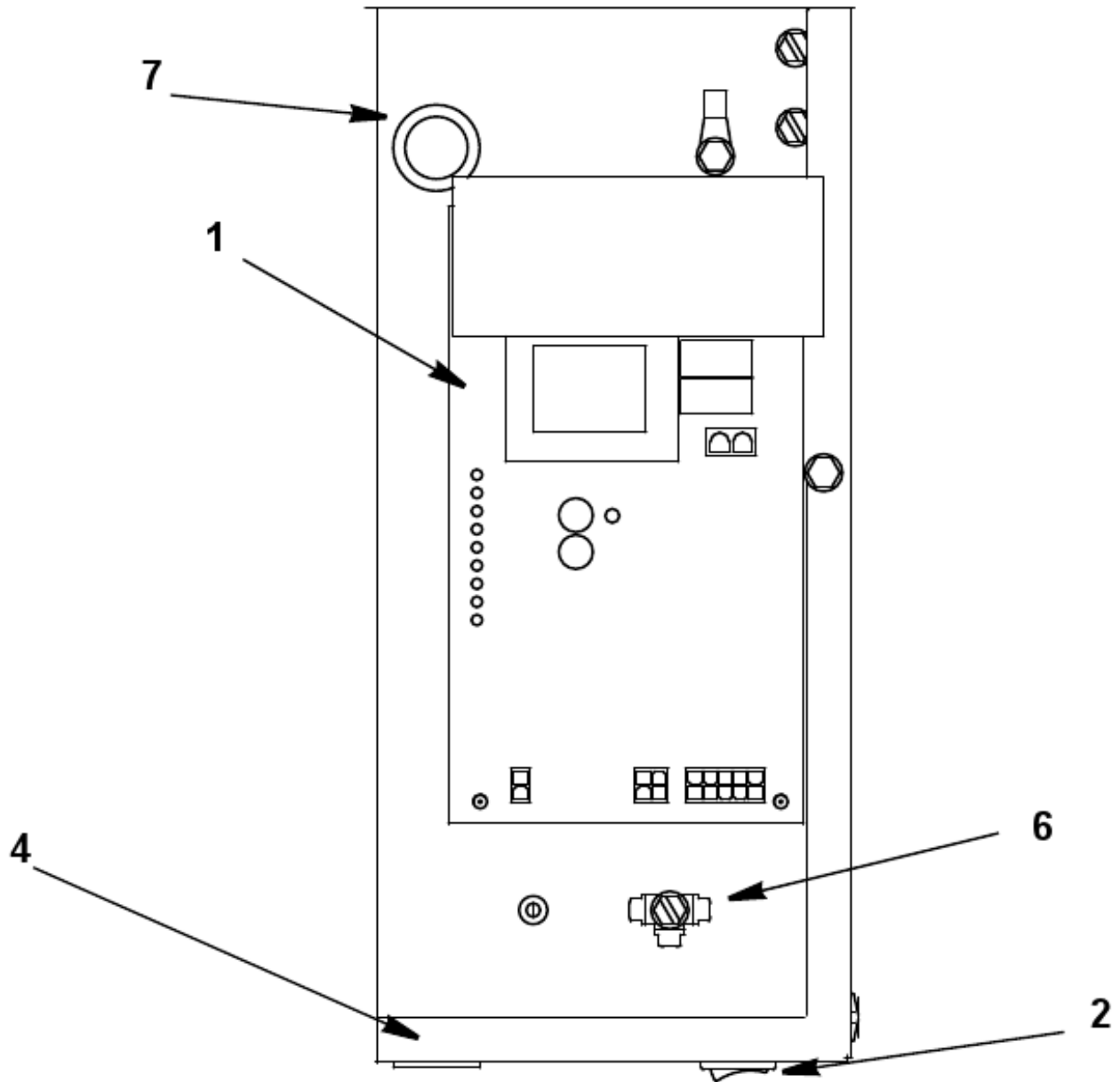
S Model - QuietCube

S1870C, CVD1885

S1870C Head Section - Control Box Components	1
S1870C Evaporator Compartment - Common Components	3
S1870C Refrigeration Compartment - Common Parts	6
S1870C Head Section - Panels	9
CVD1885 Condensing Unit - Control Box Components	11
CVD1885 Condensing Unit - Refrigeration Compartment	13
CVD1885 Condensing Unit - Panels	15

S1870C, CVD1885

S1870C HEAD SECTION - CONTROL BOX COMPONENTS



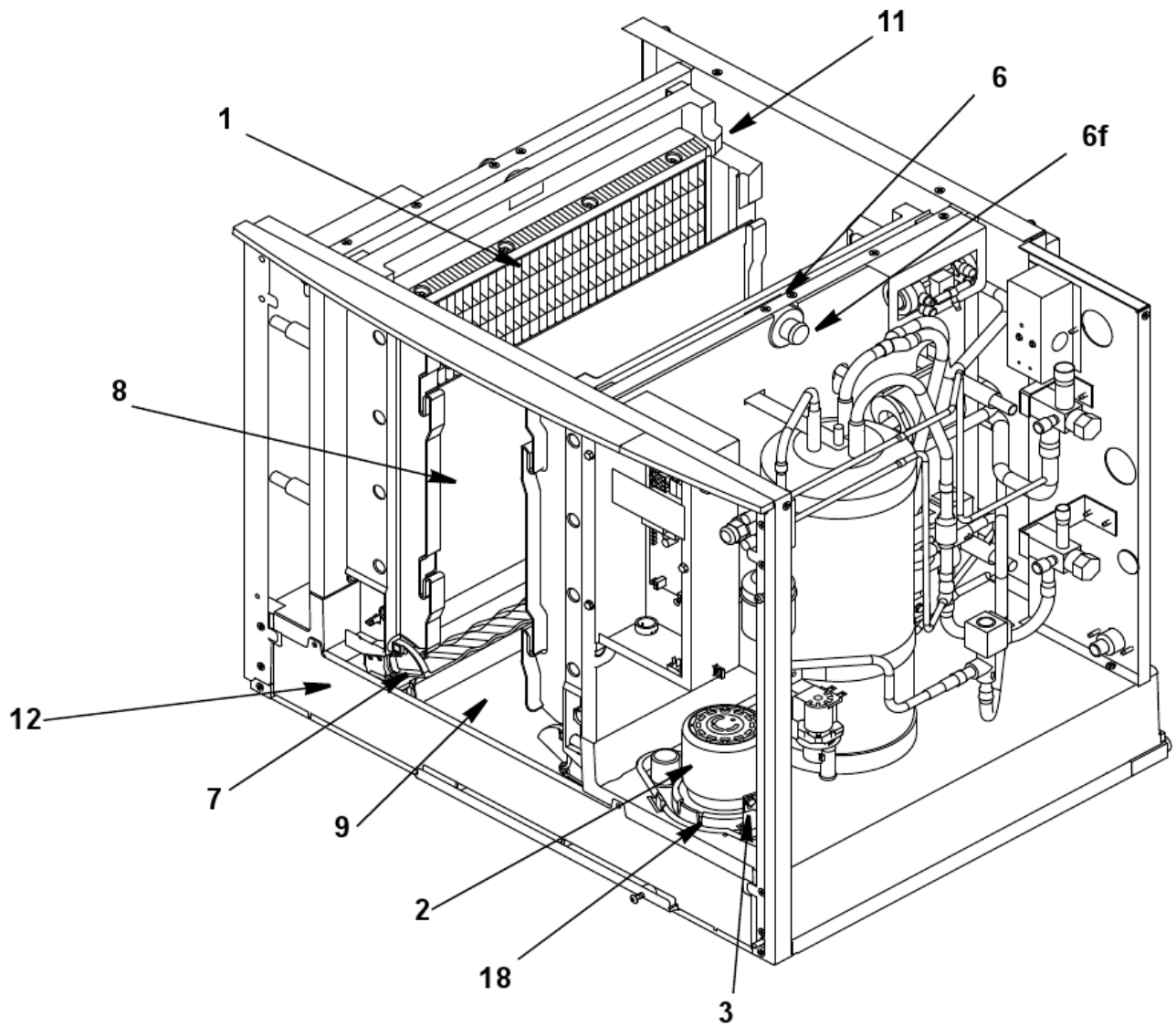
S1870C, CVD1885

S1870C HEAD SECTION - CONTROL BOX COMPONENTS

#	PART #	DESCRIPTION	QTY	Note
1	2006199	Control Board		
1a	000008240	7 Amp Fuse - Mounted on Control Board		
2	2007939	Toggle Switch		
2a	000001927	Toggle Switch Wiring Harness		
3	8373263	Refrigeration Service Valve Assembly		
4	000001811	Control Box		
4a	000002782	Control Box Cover		
5	4302253	Control Board Mounting Supports		
6	5202169	Screw - #10-24 x 0.50" Ground		
6a	5573209	Star Washer		
7	2500163	Bushing - 0.91" OD x 0.44" ID		
8		Control Box Wiring Harness		
8a	000001930	Control Box Wiring Harness - 115V/60 Hz/1 Ph		
8b	000001931	Control Box Wiring Harness - 230V/50 Hz/1 Ph		

S1870C, CVD1885

S1870C EVAPORATOR COMPARTMENT - COMMON COMPONENTS



S1870C, CVD1885

S1870C EVAPORATOR COMPARTMENT - COMMON COMPONENTS

#	PART #	DESCRIPTION	QTY	Note
1		Evaporator Assembly		
1a	000005983	Evaporator - Dice Cube		
1b	000005982	Evaporator - Half Dice Cube		
2		Water Pump		
2a	000001153	Water Pump - 115V/60 Hz		
2b	000000259	Water Pump - 230V/50 Hz		
3	2006549	Water Level Probe		
3a	2006559	Water Level Probe Holder		
3b	000002470	Bracket		
3c	2007989	Wire - Control Box to Probe		
3d	5202329	Screw - #10-24 x 0.25" PH		[1]
4	2008029	Ice Thickness Control Probe		
4a	5650909	Clip		[2]
5	000001756	Magnetic Bin Switch		
5a	000001421	Bin Switch Covers		
6	7602193	Water Distribution Tube - 30" Models		
6a	000001118	Molded Vinyl Tube		[3]
6b	000001117	Molded Vinyl Tube		[4]
6c	000001986	Barbed Fitting		
6d	5650609	Snap Clamp - 1.0" ID		[5]
6e	5650539	Snap Clamp - 1.123 x 1.296		[6]
6f	4014693	Fitting		[7]
6g	000001923	Fitting Bracket		
7	000002056	Ice Damper Assembly		
8	000009176	Splash Shields		
9	000001097	Water Trough		
10	000002176	Evaporator Top Filler Covers		
11	000002097	Evaporator Right/Left Filler Panels		
12	000002190	Front Panel Mount		
13	000002786	Evaporator Top Frame Assembly		
14	000001416	Evaporator Bottom Covers		
15	000001143	Evaporator Bottom Frame		
16	5004799	Thumbscrew SS - #8-32 x 0.375"		[8]
16a	5004629	O-Ring - 0.125" ID		
17	5012319	Screw - #12-16 x 0.75"		
18	000001202	Water Pump Mount		
19	5004659	Water Pump Base O-Ring - 4.00" ID		
20	5004679	Water Pump Outlet O-Ring - 0.875" ID		
21	5202069	Screw - #10-24 x 0.50" HEX		[9]
22	000002476	Washer		[9]

PART NOTES:

[1] - to mount water level probe holder

S1870C, CVD1885

S1870C EVAPORATOR COMPARTMENT - COMMON COMPONENTS

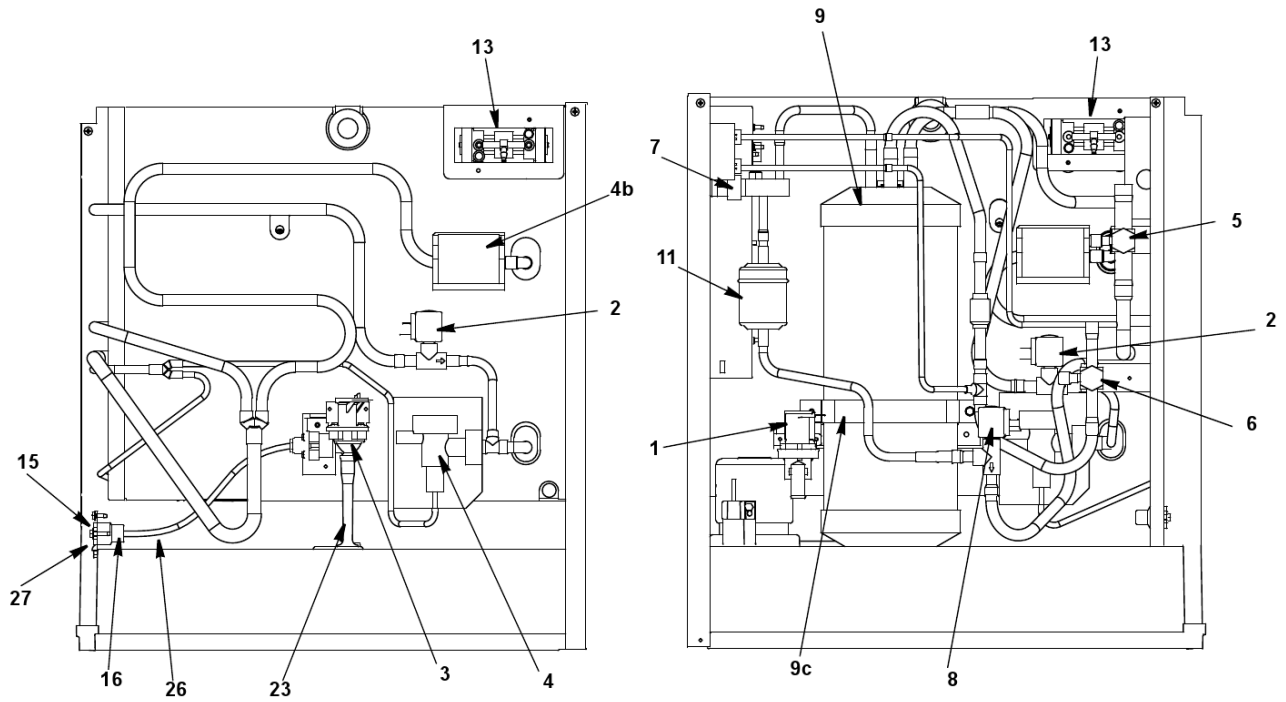
#	PART #	DESCRIPTION	QTY	Note
---	--------	-------------	-----	------

PART NOTES:

- [2] - holds ice thickness probe wire to bulkhead
- [3] - to Right Hand Distribution Tube
- [4] - to Left Hand Distribution Tube
- [5] - for barbed fitting
- [6] - vinyl tubes to distribution tubes
- [7] - through bulkhead
- [8] - Water Distribution Tube Mounting
- [9] - water pump to pump mount

S1870C, CVD1885

S1870C REFRIGERATION COMPARTMENT - COMMON PARTS



S1870C, CVD1885

S1870C REFRIGERATION COMPARTMENT - COMMON PARTS

#	PART #	DESCRIPTION	QTY	Note
1		Water Dump Valve		
1a	000001767	Water Dump Valve - 115V/60 Hz		
1b	000001768	Water Dump Valve - 208-230V/50-60 Hz		
2		Harvest Valve		
2a	000002788	Solenoid Valve with Coil - 115V/60 Hz		
2b	7630123	Solenoid Valve with Coil - 208-230V/50-60 Hz		
2c	000005156	Danfoss Solenoid Valve Coil Only - 115V/60 Hz		[1]
2d	000005157	Danfoss Solenoid Valve Coil Only - 230V/50-60 Hz		[2]
3		Water Inlet Valve		
3a	000007965	Water Inlet Valve - 115V/60 Hz/1 Ph		
3b	000007966	Water Inlet Valve - 208-230V/50-60 Hz		
4	7602253	Expansion Valve		
4a	4000403	Valve Insulation Boot - Body		
4b	4000923	Valve Insulation Boot - Bulb		
5	8373283	Manual Shut-off Valve Suction Line		
5a	6036261	Bracket - 3/4" Valve		
5b	5545109	Lockwasher		
5c	5033459	Screw - 1/4-20 x 0.625"		
6	8373273	Manual Shut-off Valve Liquid Line		
7	8373169	Receiver Service Valve		
7a	5650753	Caps for Refrigeration Service Valve		
8		Liquid Line Solenoid Valve		
8a	000002788	Solenoid Valve with Coil - 115V/60 Hz		
8b	000005156	Danfoss Solenoid Valve Coil Only - 115V/60 Hz		[1]
8c	7630121	Solenoid Valve with Coil - 208-230V		
8d	000005157	Danfoss Solenoid Valve Coil Only - 230V/50-60 Hz		[2]
9	7629603	Receiver		
9a	000001779	Bracket - Receiver		[3]
9b	000001780	Bracket - Receiver		[4]
9c	6307214	Receiver Mounting Strap		
9d	5474889	Pushnut, Bolt Retainer		
10	8373159	Magni-Check Valve - 0.5"		
11	8930279	Drier		
12	2502283	Strain Relief		
13		Air Compressor		
13a	7603529	Air Compressor Pump 115V		
13b	000000444	Air Compressor Pump 230V		
13c	4011739	Air Manifold		[5]
13d	000006489	Air Assist Bracket		
14	000001911	Dump Valve Mounting Bracket		
15	8706093	Female Wing Adapter - 0.375"		
16	1360961	Male Connector		

S1870C, CVD1885

S1870C REFRIGERATION COMPARTMENT - COMMON PARTS

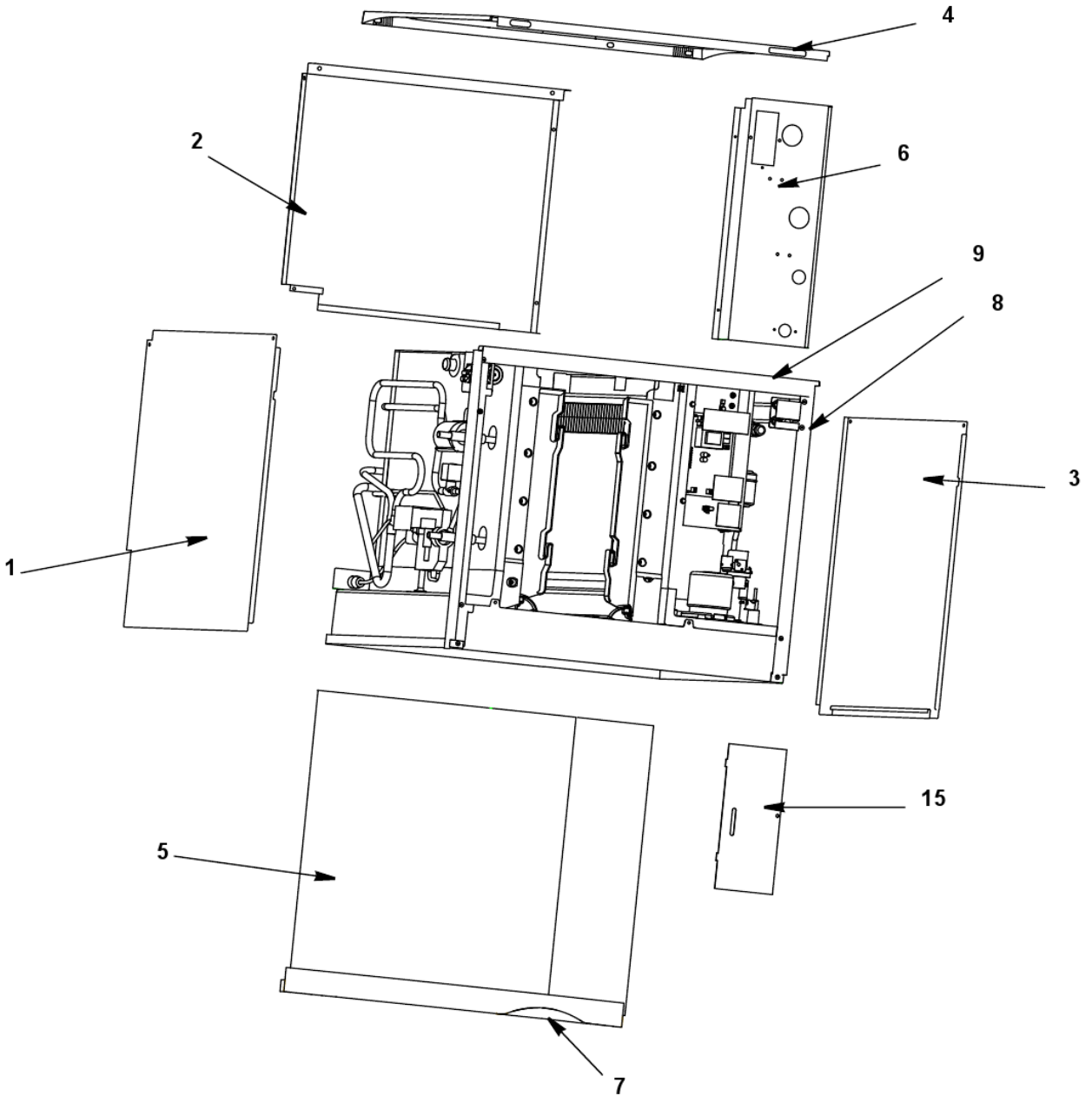
#	PART #	DESCRIPTION	QTY	Note
17	8706083	Female Wing Adapter - 0.50"		
18	000002340	Water Drain Tubing		
19	5650709	Snap Clamp - 0.799"/0.899" ID		
20	5650529	Clamp - Expansion Valve Bulb		
21	3000503	Strap - Expansion Valve Bulb - 0.5"		
22	5202069	Screw - #10-24 x 0.50" HEX		
23	4010439	Tubing - Water Inlet Valve		[6]
24	000002250	Mylar Shield - Water Inlet Valve		
25	6036721	Bracket - 1/2" Valve		
26	4420291	Vinyl Tube - 0.25" OD		
27	000002064	Bracket - Water Inlet Valve		
27	000001980	Water Inlet Bracket		
28	000002251	Service Valve Bracket		
29	4420883	Vinyl Tubing - 0.25" ID		
30	000001932	Wiring Harness		
31	5000013	Thumbscrew - #8-32 x 0.375"		
32	000002466	Screw		[7]
33	5650723	Compression Nut		

PART NOTES:

- [1] - \pages from 000005156_02.jpg" width=280 height=256>
- [2] - \pages from 000005156_02.jpg" width=266 height=183>
- [3] - bottom
- [4] - top
- [5] - air pump tubing outlet
- [6] - \pages from 401043_05.jpg" width=1797 height=2238>
- [7] - Slot Hex

S1870C, CVD1885

S1870C HEAD SECTION - PANELS



S1870C, CVD1885

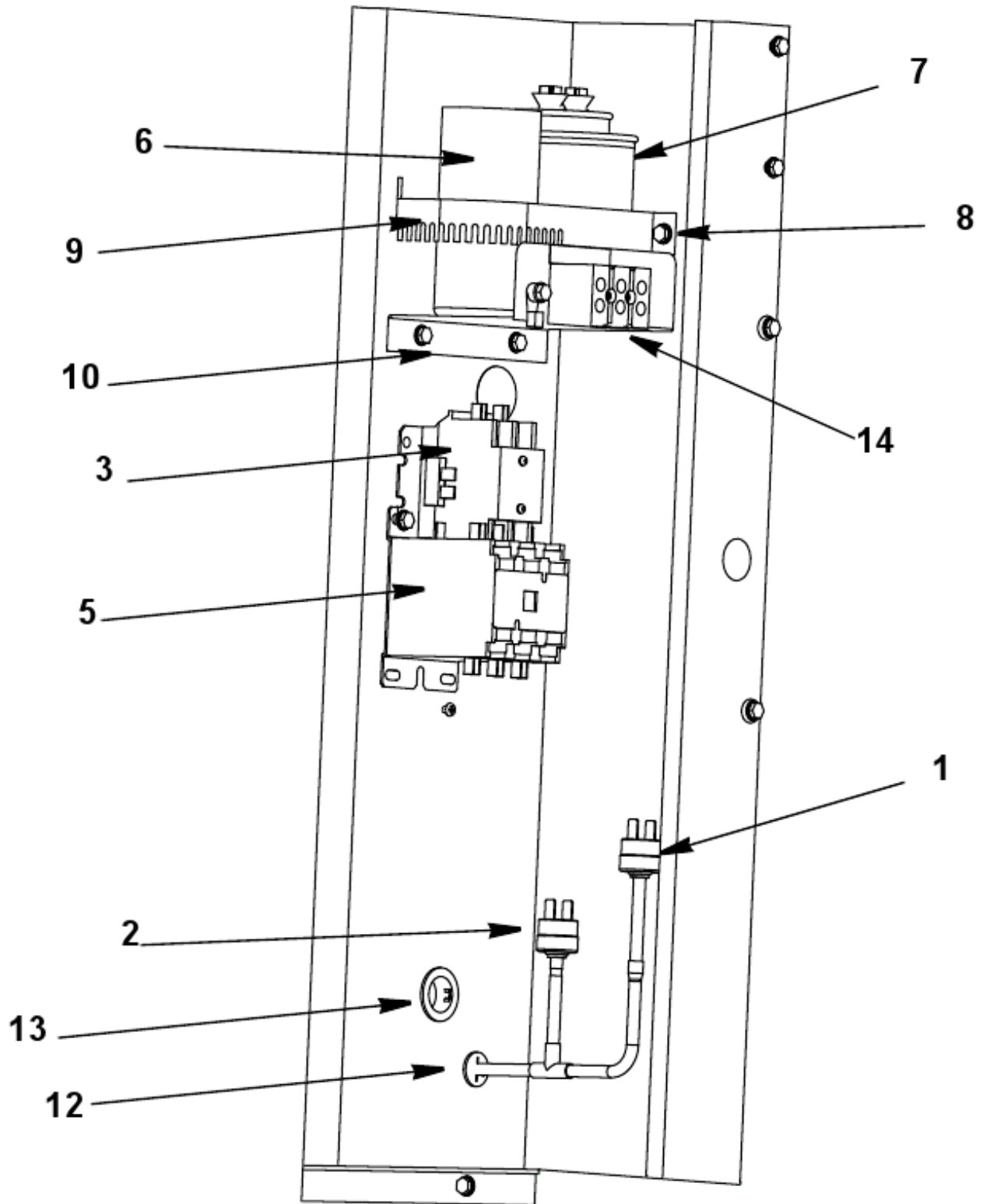
S1870C HEAD SECTION - PANELS

#	PART #	DESCRIPTION	QTY	Note
1	000002464	Left Side Panel		
2	000002462	Back Panel		
3	000002463	Right Side Panel		
4	000006699	Top Cover		
5	000002159	Front Door		
a	000002190	Front Panel Mount		
6	000002016	Coupling Panel		
7	5005593	Front Door Screw		
7a	000000260	Front Panel - Shoulder Bolt		
7b	000000305	Nut		[1]
8	000001139	Front Vertical Angle		
9	000001447	Front Top Support		
9a	5202099	Screw - #10-24 x 0.50" PHIL		
9b	000002246	Plastic Dome Head Plug		
10	000001138	Bottom Front Angle		
10a	5005099	Mounting Screw - #10-16 x 0.625" PHIL		
11	5000373	Screw - #10-24 x 0.50" PHIL		
12	000002288	Spacer, Top Cover		
13	2006143	Terminal Block - 50 Hz - 3 Pole		
14		Electrical Connection Box Cover - See Note for Usage		
14a	6063989	Electrical Connection Box Cover		[2]
14b	000002317	Electrical Connection Box Cover		[3]
15		Control Box - See Note for Usage		
15a	000002230	Control Box		[2]
15b	000002316	Control Box		[3]
16	7112429	Cartoning		

PART NOTES:

- [1] - for shoulder bolt
- [2] - 60 Hz
- [3] - 50 Hz

CVD1885 CONDENSING UNIT - CONTROL BOX COMPONENTS



S1870C, CVD1885

CVD1885 CONDENSING UNIT - CONTROL BOX COMPONENTS

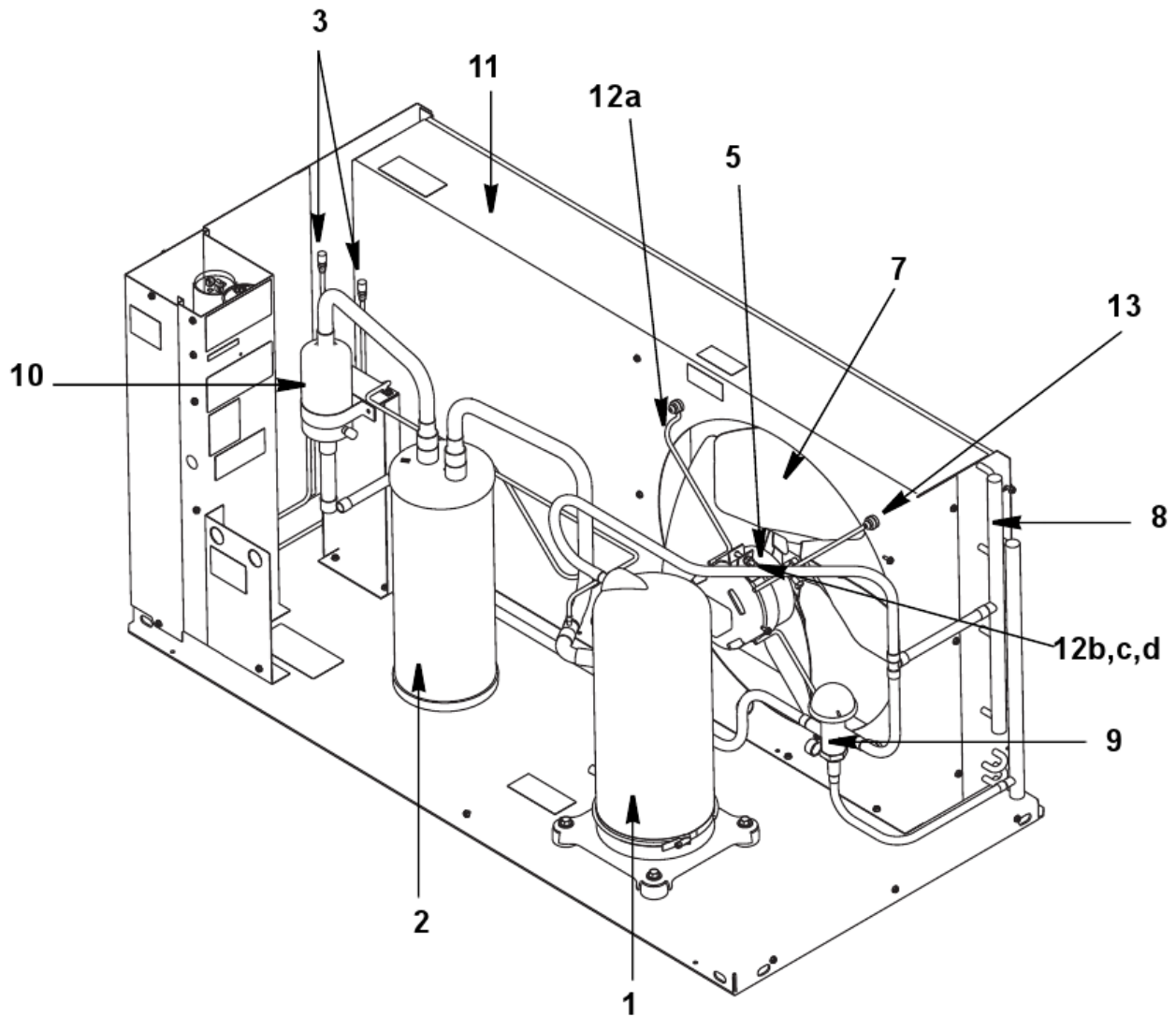
#	PART #	DESCRIPTION	QTY	Note
1	2001263	Fan Cycling Control - 200-250 psig		[1]
2	2001243	High Pressure Cut-out Control		
3		Contactactor		
3a	2006609	Contactactor - 208-230V/50-60 Hz/1 Ph		
3b	2006619	Contactactor - 230V/60 Hz/3 Ph		
4		Wiring Harness		
4a	000006532	Wiring Harness - 230V/60 Hz/1 Ph		
4b	000006531	Wiring Harness - 230V/50 Hz/1 Ph		
4c	2033089	Wiring Harness - 230V/60 Hz/3 Ph		
		Start Components		
5		Start Relay		
5a	2007559	Start Potential Relay - 50-60 Hz/1 Ph		
5b	2007523	Start Potential Relay - 50 Hz/1 Ph		
6		Start Capacitor		
6a	000006455	Start Capacitor 60 Hz/1 Ph		
6b	8505823	Start Capacitor 50 Hz/1 Ph		
7	000000028	Run Capacitor - 208-230V/50-60 Hz/1 Ph		
8	5202069	Screw - #10-24 x 0.50" HEX		
9	6021601	Capacitor Mounting Strap		
10	6034981	Capacitor Mounting Bracket		
11	5202169	Screw - #10-24 x 0.50" Ground		
12	2500169	Bushing - 0.91" OD x 0.44" ID		
13	2500029	Bushing - 1.125" OD x 0.75" ID		
14	2006143	Terminal Block - 50 Hz - 3 Pole		

PART NOTES:

[1] - \pages from 200126_09.jpg" width=150 height=306>

S1870C, CVD1885

CVD1885 CONDENSING UNIT - REFRIGERATION COMPARTMENT

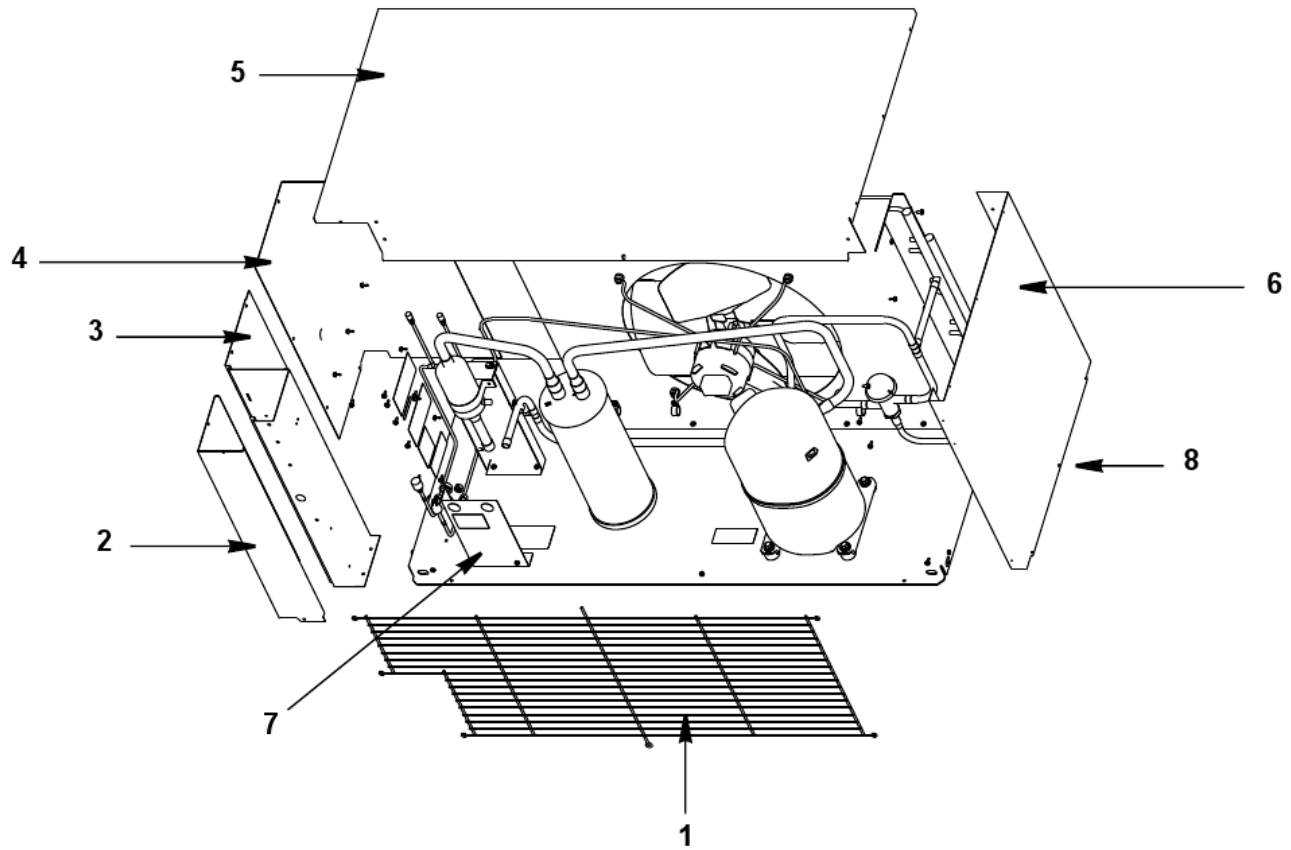


S1870C, CVD1885

CVD1885 CONDENSING UNIT - REFRIGERATION COMPARTMENT

#	PART #	DESCRIPTION	QTY	Note
1		Compressor - Copeland		
1a	7601623	Compressor - Copeland - 208-230V/60 Hz/1 Ph		
1b	7601633	Compressor - Copeland - 208-230V/60 Hz/3 Ph		
1c	000000293	Compressor - Copeland - 220-240V/50 Hz/1 Ph		
1d	2007613	Compressor Plug		
2	000007281	Suction Accumulator		
3	8373253	Access Valve		
4	8373159	Magni-Check Valve - 0.5"		
5		Fan Motor		
5a	2000189	Fan Motor - 208-230V/60 Hz/1-3 Ph		
5b	2000583	Fan Motor - 208-230V/50 Hz/1 Ph		
6	2002229	Low Pressure Cut-out Control		
7	2416113	Fan Blade		
8	8851403	Air Condenser		
9	000002369	Head Pressure Control Valve		
10	8250549	Suction Line Filter		
10a	000002252	Bracket		
10b	000002210	Suction Line Filter Tie		
11	6034501	Fan Shroud		
12		Fan Motor Mounting		
12a	3006823	Fan Motor Mounting Bracket		
12b	000001524	Screw		
12c	5545119	Mounting - Lockwasher		
12d	5429529	Mounting - Hexnut		
13		Fan Bracket Mounting		
13a	000001524	Screw		
13b	5429559	Mounting - Rubber Wellnut		
14		Compressor Mounting		
14a	5035729	Mounting - Bolt		
14b	8503069	Mounting - Rubber Grommet		
14c	5573099	Mounting - Flatwasher		
14d	8503949	Mounting - Sleeve		
15	2502283	Strain Relief		

CVD1885 CONDENSING UNIT - PANELS



S1870C, CVD1885

CVD1885 CONDENSING UNIT - PANELS

#	PART #	DESCRIPTION	QTY	Note
1	3406893	Condenser Fan Guard		
2	6040171	Control Box Cover		
3	6037071	Control Box Panel		
4	6037321	Left Side Panel		
5	6034751	Cover Top		
6	6034701	Right Side Panel		
7	6042261	Condensing Unit Tube Shield		
8	000002252	Bracket		
9	5202069	Screw - #10-24 x 0.50" HEX		
10	000001025	Cartoning		