



Manitowoc
Foodservice
Parts Manual

For more Parts Information:

<https://manitowocfsg.sysonline.com/Default.aspx>

TABLE OF CONTENTS

Manitowoc Foodservice [Updated: Sep. 30, 2013]

Manitowoc - Ice & Related

Parts Catalog

Ice Machine

S Series

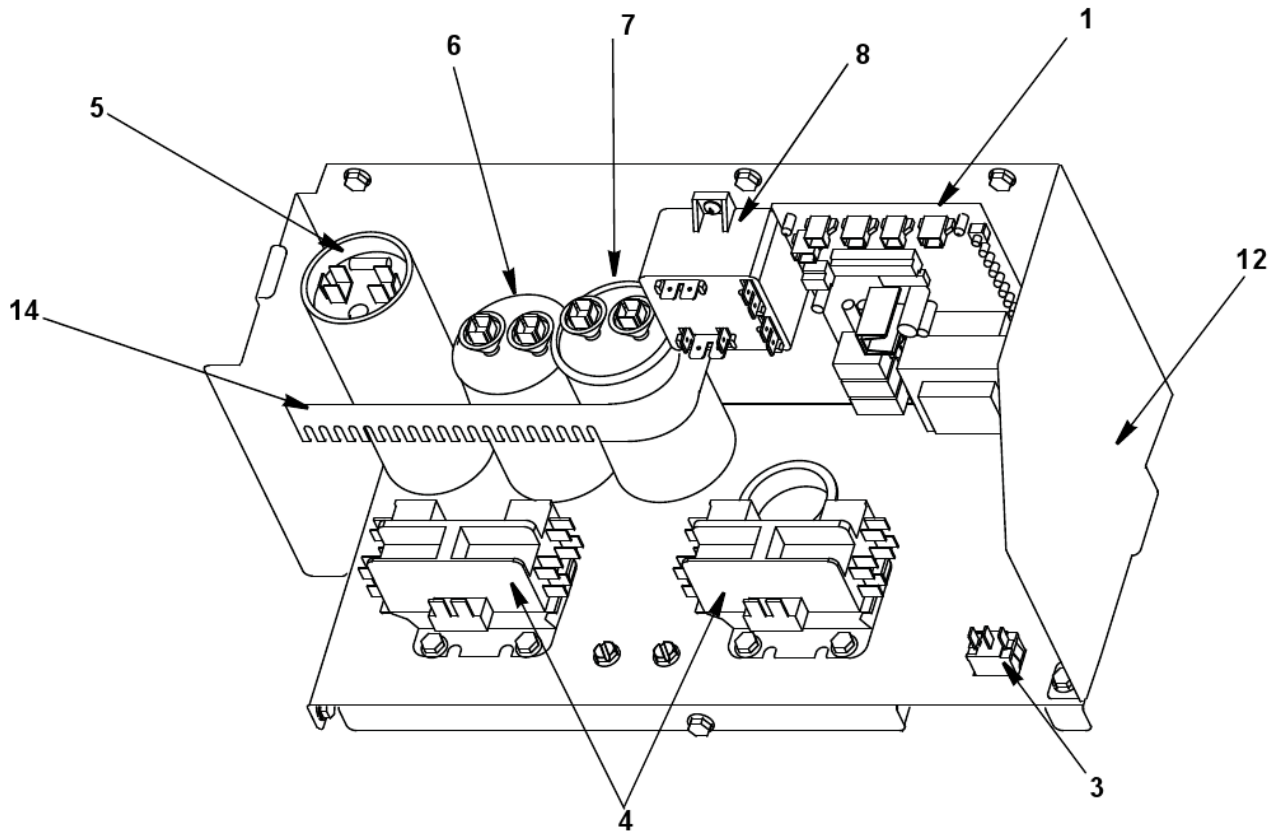
S Model - Flake/Nugget

SF1200, SN1250, RFC1285

SF1200/SN1250 Control Box	1
SF1200/SN1250 Evaporator Assembly	3
SF1200/SN1250 Refrigeration Compartment Common Parts	5
SF1200/SN1250 Refrigeration Compartment - Common Parts 2	7
SF1200/SN1250 Refrigeration Compartment - Air-cooled	9
SF1200/SN1250 Refrigeration Compartment - Water-cooled	11
SF1200C/SN1250C QuietQube Remote Air-cooled	13
SF1200/SN1250 Panels	15
RFC1285 Condensing Unit	17
RFC1285 Condensing Unit Panels	20

SF1200, SN1250, RFC1285

SF1200/SN1250 CONTROL BOX



SF1200, SN1250, RFC1285

SF1200/SN1250 CONTROL BOX

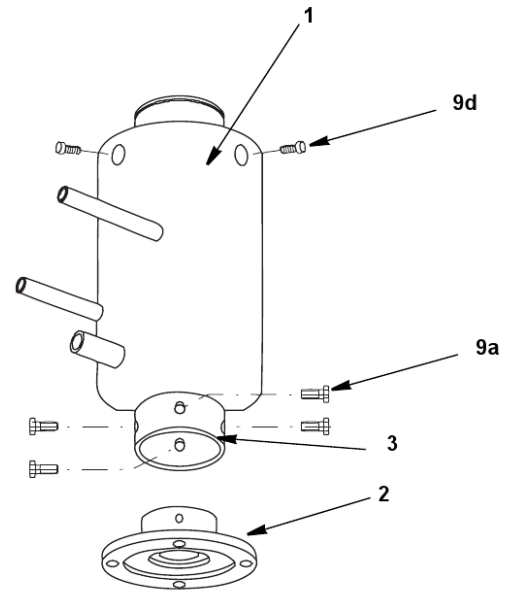
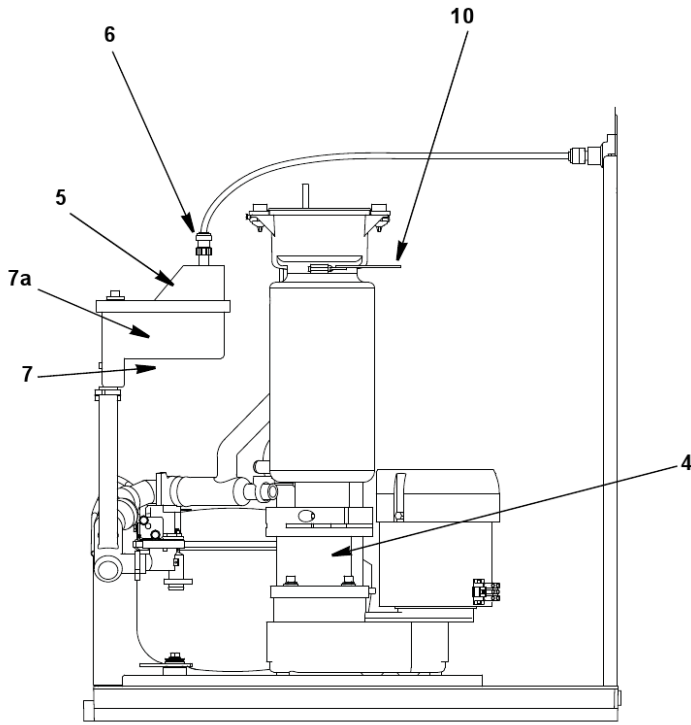
#	PART #	DESCRIPTION	QTY	Note
1	000001238	Control Board		
1a	4302253	Control Board Mounting Supports		
2	2511493	10 Amp Fuse		
3	2007939	Toggle Switch		
3a	2009973	Compressor to Control Board Wiring Harness		
4		Contactors		[1]
4a	2006589	Contactors - 115V/60 Hz/1 Ph		
4b	2006599	Contactors - 230V/50-60 Hz/1 Ph		
4c	2006619	Contactors - 230V/60 Hz/3 Ph		
5	8505723	Start Capacitor (Compressor) 230/50-60/1		
6	8503933	Run Capacitor - 115-230V/50-60 Hz/1 Ph		
7	000000029	Gearmotor Run Capacitor 230V/50-60 Hz/1 Ph		
8		Start Relay		
8a	2007533	Start Potential Relay - 230V/50-60 Hz/1 Ph		
8b	2007543	Start Potential Relay - 230V/50 Hz/1 Ph		
9		Wiring Harness		
9a	000001073	Wiring Harness 230/50/1		
9b	000001075	Wiring Harness 230/60/1		
9c	000001069	Wiring Harness 230/60/3		
10	2009953	Start Capacitor Wiring Harness		
11	2009973	Compressor to Control Board Wiring Harness		
12	000002866	Control Box		
13	6073041	Control Box Cover		
13a	5202069	Screw - #10-24 x 0.50" HEX		
14	000000971	Capacitor Mounting Strap		
15	6024951	Capacitor Bracket		
16	5004129	Screw - #6 x 0.5"		
17	5202169	Screw - #10-24 x 0.50" Ground		
18	2501409	Bushing - 0.875"		
19	2500139	Bushing - 1.5"		

PART NOTES:

[1] - Left = Gearmotor, Right = Compressor

SF1200, SN1250, RFC1285

SF1200/SN1250 EVAPORATOR ASSEMBLY



SF1200, SN1250, RFC1285

SF1200/SN1250 EVAPORATOR ASSEMBLY

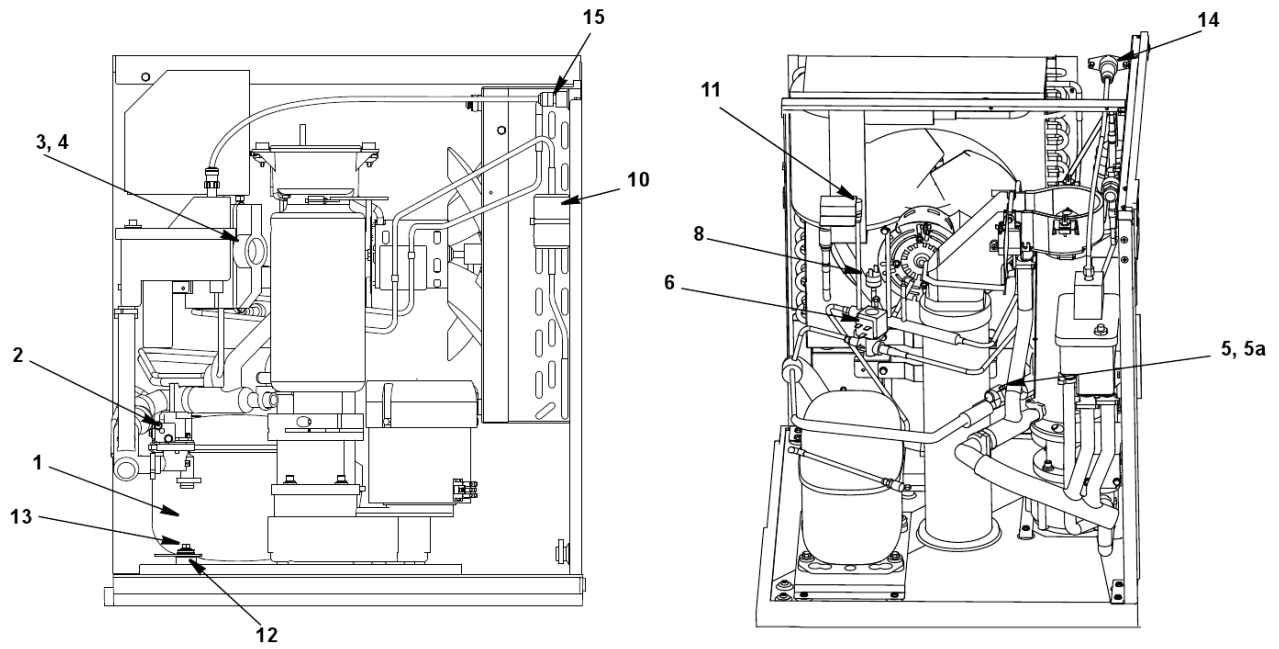
#	PART #	DESCRIPTION	QTY	Note
1		Evaporator Assembly		
1a	00000527	Evaporator Assembly Flake		
1b	00000526	Evaporator Assembly Nugget		
2	000002699	Evaporator Foundation		
3	000003061	Coupler		
4		Gear Motor Assembly		
4a	000002088	Gearmotor Assembly - 50 Hz		
4b	2009553	Gearmotor Assembly - 60 Hz		
5	000006516	Float Chamber Assembly		[1]
5a	2008633	Float Switch Only		
5b	000006515	Float Chamber Only		
6	5650729	Compression Nut		
7	6072531	Float Valve Bracket		
7a	5202069	Screw - #10-24 x 0.50" HEX		
8	6071881	Gearmotor Bracket		
8a	5000293	Screw		
9		Evaporator Mounting to Gear Motor		
9a	5000273	Bolt		
9b	5573049	Flatwasher		
9c	5545119	Mounting - Lockwasher		
9d	5000269	Screw		
10	000000465	Clamp Assembly		[2]
10a	5006203	O-ring		

PART NOTES:

- [1] - includes float, switch, cover & housing
- [2] - secures evaporator to ice chute

SF1200, SN1250, RFC1285

SF1200/SN1250 REFRIGERATION COMPARTMENT COMMON PARTS



SF1200, SN1250, RFC1285

SF1200/SN1250 REFRIGERATION COMPARTMENT COMMON PARTS

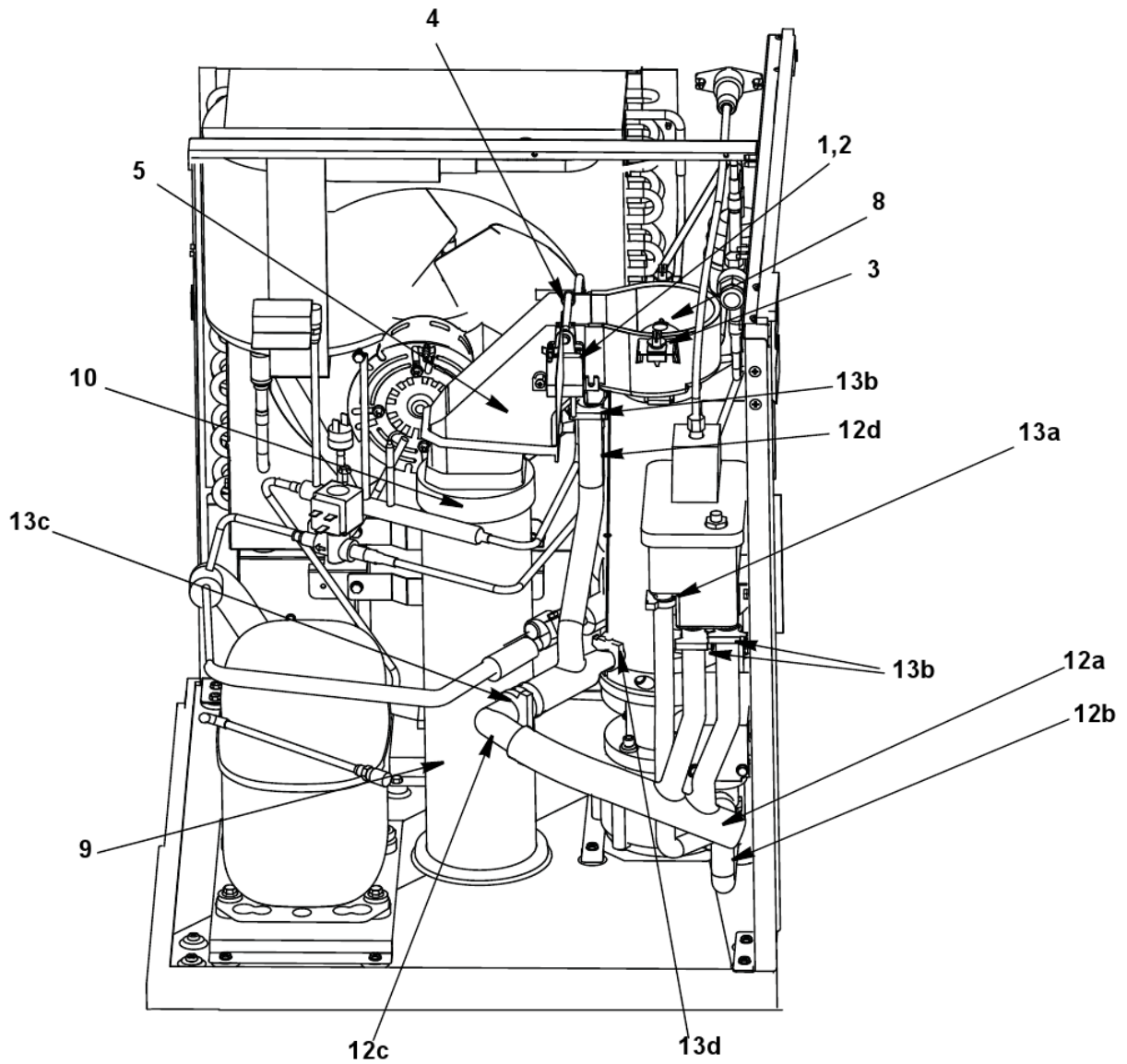
#	PART #	DESCRIPTION	QTY	Note
1		Compressor		
1a	7602223	Compressor - Copeland - 208-230V/60 Hz/1 Ph		
1b	7602243	Compressor - Copeland - 220-240V/50 Hz/ 1 Ph		
1c	7602233	Compressor - Copeland - 208-230V/60 Hz/3 Ph		
1d	8252973	Compressor Overload - 115V/60 Hz/1 Ph		
2		Water Dump Valve		
2a	000007429	Water Dump Valve 115V		
2b	000007428	Water Dump Valve 208-240V		
3	000001939	Expansion Valve		
4	4000403	Valve Insulation Boot - Body		
5	4000923	Valve Insulation Boot - Bulb		
5a	3000503	Strap - Expansion Valve Bulb - 0.5"		
5b	5650529	Clamp - Expansion Valve Bulb		
6	8251393	Liquid Line Solenoid Valve		
7	000005157	Danfoss Solenoid Valve Coil Only - 230V/50-60 Hz		[1]
8	2001243	High Pressure Cut-out Control		
9	000000886	Manifold Strainer		
10	8253333	Drier		
11	8373253	Access Valve		
12	000000544	Compressor Base		
12a	5012319	Screw - #12-16 x 0.75"		
13		Compressor Mounting		
13a	8503069	Mounting - Rubber Grommet		
13b	5004819	Compressor Mounting - Bolt		
13c	8503949	Mounting - Sleeve		
13d	5004829	Compressor Mounting - Nut		
14	8706093	Female Wing Adapter - 0.375"		
14a	5202069	Screw - #10-24 x 0.50" HEX		
15	1360961	Male Connector		
16	4420291	Vinyl Tube - 0.25" OD		
17	6042901	Water Inlet Tubing Insulation		
18	000000008	Water Dump Valve Guard		
18a	5202329	Screw - #10-24 x 0.25" PH		

PART NOTES:

[1] - \pages from 000005156_02.jpg" width=266 height=183>

SF1200, SN1250, RFC1285

SF1200/SN1250 REFRIGERATION COMPARTMENT - COMMON PARTS 2



SF1200, SN1250, RFC1285

SF1200/SN1250 REFRIGERATION COMPARTMENT - COMMON PARTS 2

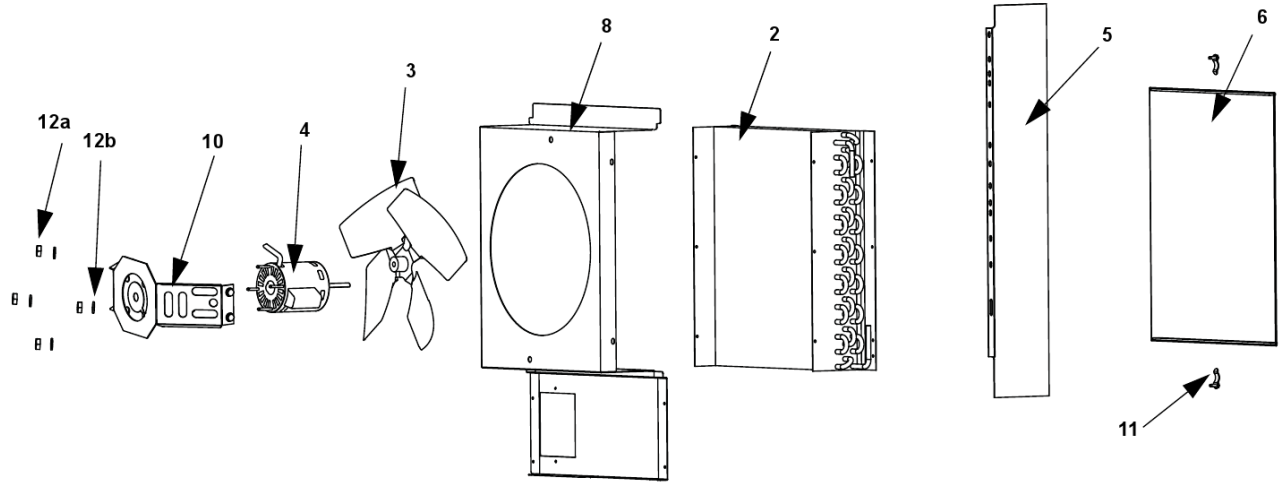
#	PART #	DESCRIPTION	QTY	Note
1	2009793	Hall Effect Switch with Wiring		
2	2009803	Hall Effect Switch Housing		
2a	5121629	Screw		
3	5650853	Receptacle		
3a	5000453	Wing-head Mounting Stud		
4		Damper Door		
4a	00000710	Damper Door Flake		
4b	4014443	Damper Door Nugget		
5	00000039	Ice Chute		
6	00000077	Strainer Ramp		
7	00000272	Chute Cover - sits on receptacle		
8		Ice Wiper		
8a	00002948	Ice Wiper Flake		
8b	00002949	Ice Wiper Nugget		
9	00000781	Ice Tube/Chute Base		
10	00000779	Ice Chute/Ice Tube Union		
11		Secure Ice Chute to Evaporator		
11a	00000465	Clamp Assembly		
12		Molded Vinyl Tubes		
12a	00000788	Float Chamber Tube		
12b	00000790	Drain		
12c	00000009	Elbow		[1]
12d	00000792	Ice Chute Drain Tube		
13		Snap Clamps		
13a	5650539	Snap Clamp - 1.123 x 1.296		
13b	5650603	Snap Clamp - 1.0" ID		
13c	5650993	Snap Clamp - 3/4" ID		
13d	5650649	Hose Clamp - 0.759"/0.848" ID		
13e	5660703	Snap Clamp - 0.799"/0.899" ID		

PART NOTES:

[1] - connects Float Chamber Tube to Ice Chute Drain Tube

SF1200, SN1250, RFC1285

SF1200/SN1250 REFRIGERATION COMPARTMENT - AIR-COOLED



SF1200, SN1250, RFC1285

SF1200/SN1250 REFRIGERATION COMPARTMENT - AIR-COOLED

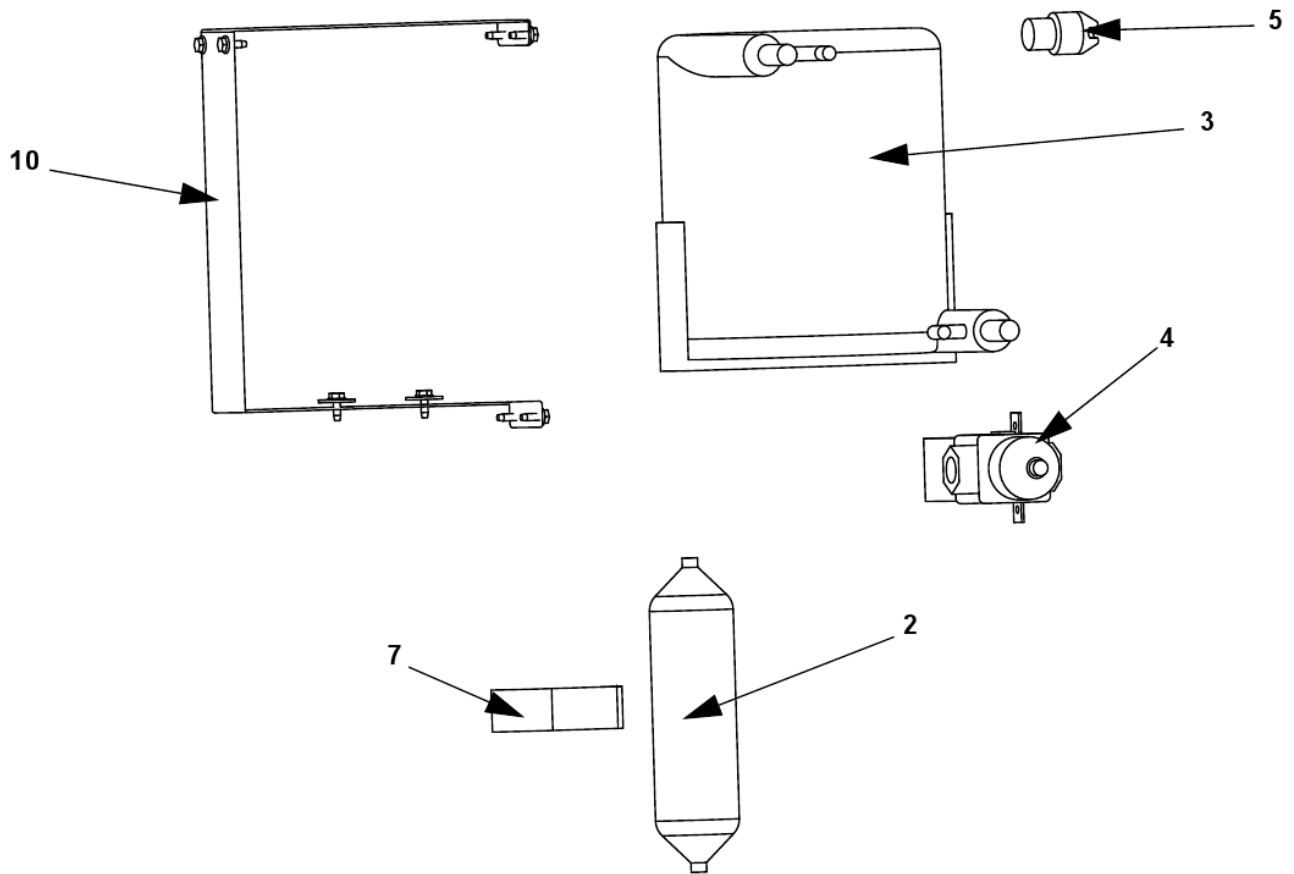
#	PART #	DESCRIPTION	QTY	Note
1		Compressor		[1]
2	8252393	Air Condenser		
3	2416123	Fan Blade		
4	2009653	Fan Motor 208-230V/50-60 Hz		
5	4015333	Air Baffle		
6	3005559	Air Filter		
7	000000545	Head Pressure Control Valve		
8	000001309	Fan Shroud		
9	5032389	Fan Bracket Mounting Screw		
10	6072461	Fan Motor Bracket		
11	5650699	Air Filter Clip		
12		Fan Motor to Bracket Mounting		
12a	000000936	Nut		
12b	5573059	Mounting - Flatwasher		
13		Back Corner Channel		
13a	6072361	Back Corner Channel Right		
13b	6072311	Back Corner Channel Left		

PART NOTES:

[1] - Refer to COMMON PARTS PAGE

SF1200, SN1250, RFC1285

SF1200/SN1250 REFRIGERATION COMPARTMENT - WATER-COOLED



SF1200, SN1250, RFC1285

SF1200/SN1250 REFRIGERATION COMPARTMENT - WATER-COOLED

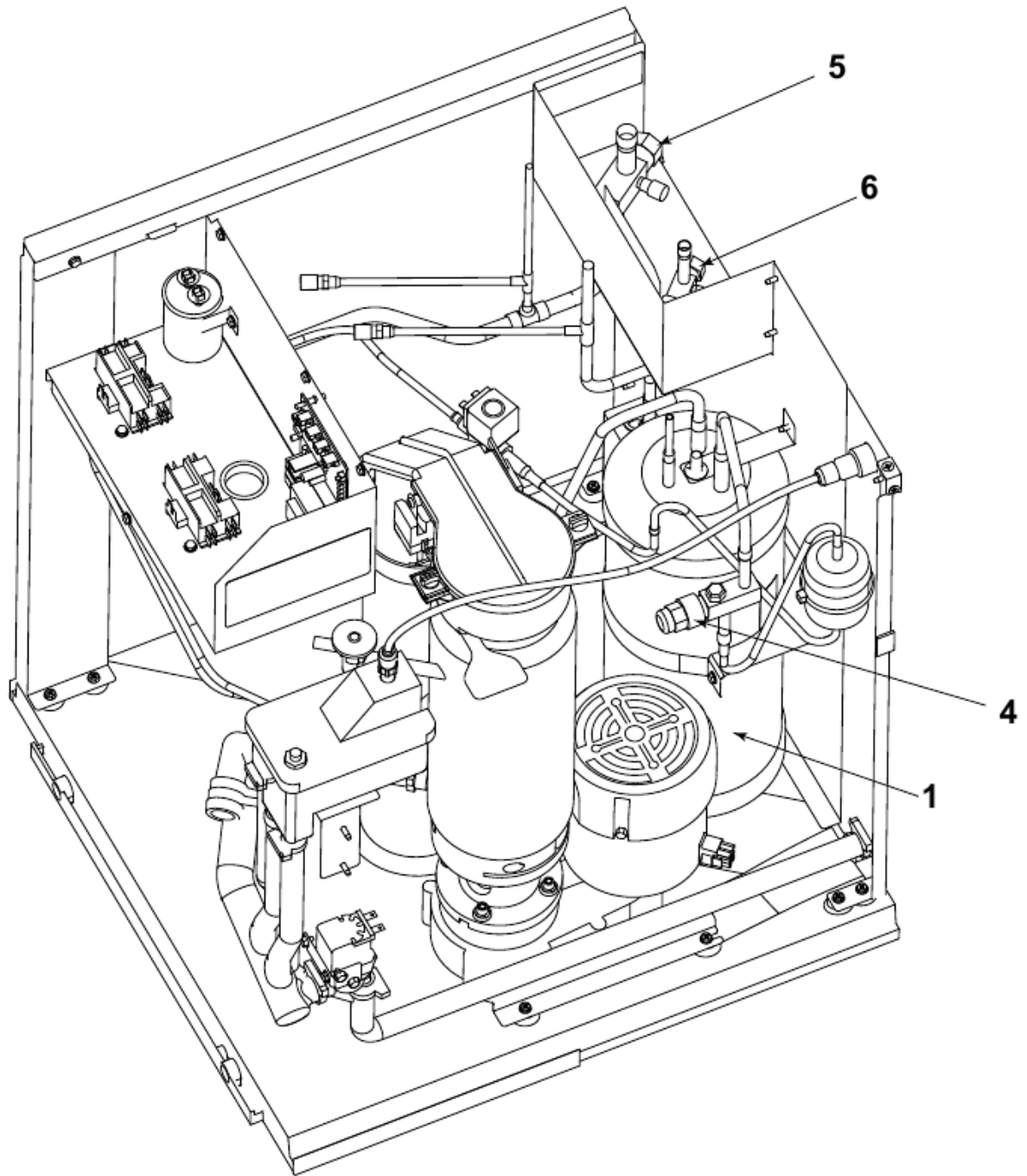
#	PART #	DESCRIPTION	QTY	Note
1		Compressor		[1]
2	000008894	Receiver		
3	8865333	Water-cooled Condenser		
4	8372069	Water Regulating Valve		
5	8706083	Female Wing Adapter - 0.50"		
6	8706093	Female Wing Adapter - 0.375"		
7	6000541	Receiver Strap		
8	5202069	Screw - #10-24 x 0.50" HEX		
9	5573419	Washer		
10	000000963	Water Condenser Bracket		
11		Back Corner Channel		
11a	6072361	Back Corner Channel Right		
11b	6072311	Back Corner Channel Left		

PART NOTES:

[1] - Refer to COMMON PARTS Page

SF1200, SN1250, RFC1285

SF1200C/SN1250C QUIETQUBE REMOTE AIR-COOLED



SF1200, SN1250, RFC1285

SF1200C/SN1250C QUIETQUBE REMOTE AIR-COOLED

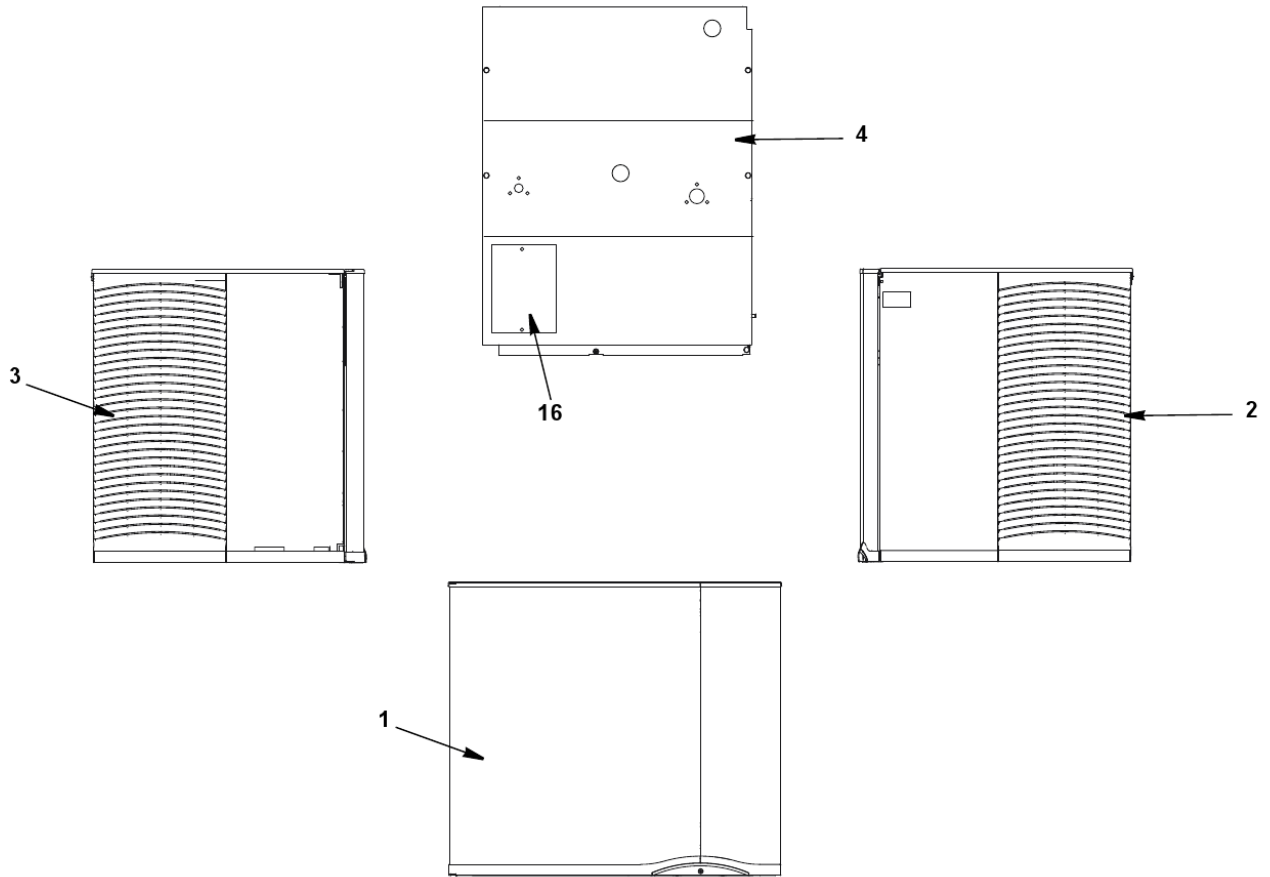
#	PART #	DESCRIPTION	QTY	Note
1	8900023	Receiver		
2	8250539	Suction Line Filter		
3	000001289	Check Valve		
4	8373169	Receiver Service Valve		
4a	5650753	Caps for Refrigeration Service Valve		
4b	6037451	Bracket		
5	8373303	Manual Shut-Off Valve - Suction Line		
5a	8373023	Valve Cap		
5b	4007403	Valve Insulation Boot - Body		[1]
6	8373293	Manual Shut-off Valve - Liquid Line		
7		Wiring Harness		
7a	000001077	Wiring Harness - 115V		
7b	000001078	Wiring Harness - 230V		
8	000000441	Shut-Off Box		
9	6000561	Receiver Mounting Bracket		
10	000000410	Back Panel		

PART NOTES:

[1] - \pages from 400740_02.jpg" width=362 height=281>

SF1200, SN1250, RFC1285

SF1200/SN1250 PANELS



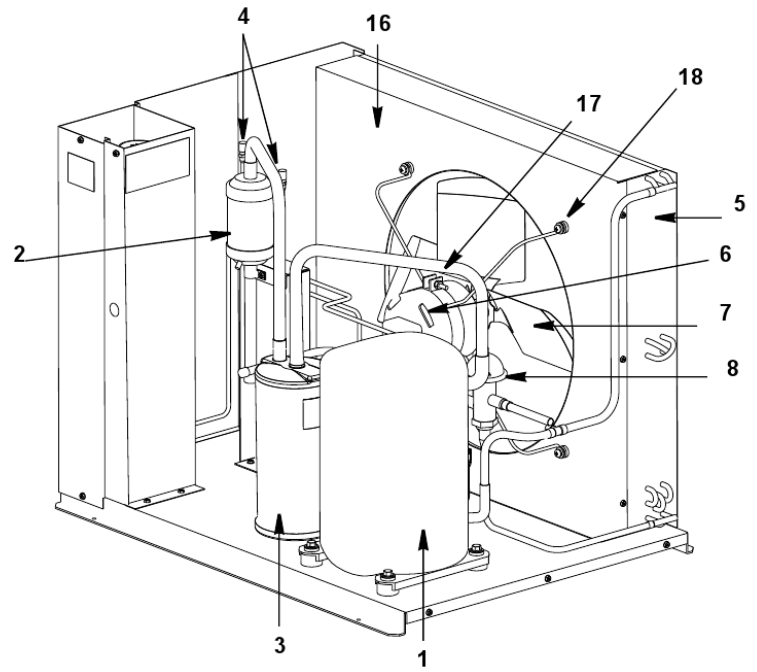
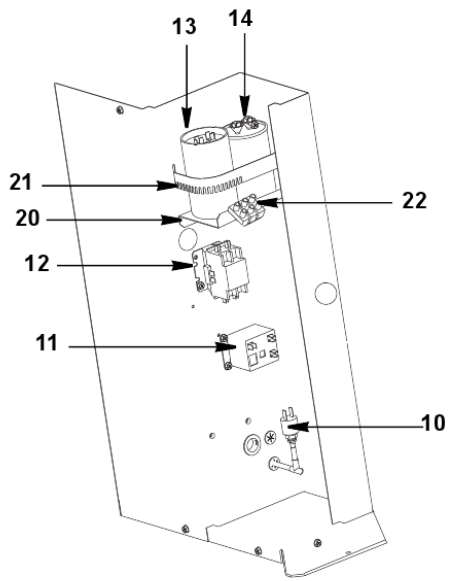
SF1200, SN1250, RFC1285

SF1200/SN1250 PANELS

#	PART #	DESCRIPTION	QTY	Note
1	00000747	Front Panel		
2	00001054	Right Side Panel		
3	00001053	Left Side Panel		
4		Back Panel, Water		
5	00001548	Top Cover		
6	4015333	Air Baffle		
7	3005559	Air Filter		
8	00000260	Front Panel - Shoulder Bolt		
8a	00000305	Front Panel - Nut		
9	5650699	Air Filter Clip		
10	00000263	Top Cover Bracket		
11	00001171	Top Front Bracket		
12	00001091	Top Support Brace		
13		Front Corner Channel		
13a	00002868	Front Corner Channel After Serial Number 110709148		
13b	00001092	Front Corner Channel Before Serial Number 110709148		
13c	5012319	Screw - #12-16 x 0.75"		
14	6072371	Top Channel		
14a	5202069	Screw - #10-24 x 0.50" HEX		
15		Back Panel		
15a	5012319	Screw - #12-16 x 0.75"		
15b	5202099	Screw - #10-24 x 0.50" PHIL		
16	6067299	Rear Connection Box Cover		
17	6067289	Rear Connection Box		
17a	2006143	Terminal Block - 50 Hz - 3 Pole		
17b	2008503	Ground Wire		
17c	5202169	Screw - #10-24 x 0.50" Ground		
18	00001260	Cartoning		

SF1200, SN1250, RFC1285

RFC1285 CONDENSING UNIT



SF1200, SN1250, RFC1285

RFC1285 CONDENSING UNIT

#	PART #	DESCRIPTION	QTY	Note
1		Compressor		
1a	7600053	Compressor - Copeland - 208-230V/50-60 Hz/1 Ph		
1b	7600063	Compressor - Copeland - 208-230V/60 Hz/3 Ph		
2	8252743	Suction Filter		
3	000007281	Suction Accumulator		
4	8373253	Access Valve		
5	8851443	Air-cooled Condenser		
6		Fan Motor		
6a	2000189	Fan Motor - 208-230V/60 Hz/1-3 Ph		
6b	2009643	Fan Motor - 208-230V/50 Hz/1 Ph		
7	2402403	Fan Blade		
8	2068093	Head Pressure Control Valve		
9	000001289	Check Valve		
10	2001243	High Pressure Cut-out Control		
11		Start Potential Relay		
11a	2007553	Start Potential Relay - 50-60 Hz/1 Ph		
11b	2007523	Start Potential Relay - 50 Hz/1 Ph		
12		Contactors		
12a	2006583	Contactors 60 Hz/1 Ph		
12b	2006593	Contactors 50 Hz/1 Ph		
13		Start Capacitor		
13a	000006455	Start Capacitor 60 Hz/1 Ph		
13b	8505823	Start Capacitor 50 Hz/1 Ph		
14	8504983	Run Capacitor 50-60 Hz/1 Ph		
15		Wiring Harness		
15a	000000969	Wiring Harness 208-230V/60 Hz/1 Ph		
15b	000000970	Wiring Harness 208-230V/50 Hz/1 Ph		
16	6037041	Fan Shroud		
17	5033589	Mounting - Screw		
17a	5545119	Mounting - Lockwasher		
17b	5429529	Mounting - Hexnut		
18	5033589	Mounting - Screw		
18a	5545119	Mounting - Lockwasher		
18b	5573059	Mounting - Flatwasher		
18c	5429559	Mounting - Rubber Wellnut		
19	5202069	Screw - #10-24 x 0.50" HEX		[1]
20	6034981	Capacitor Mounting Bracket		
21	6021601	Capacitor Mounting Strap		
22	2006143	Terminal Block - 50 Hz - 3 Pole		[2]
23	5202169	Screw - #10-24 x 0.50" Ground		
24	8250539	Suction Line Filter		
24a	000002252	Bracket		

SF1200, SN1250, RFC1285

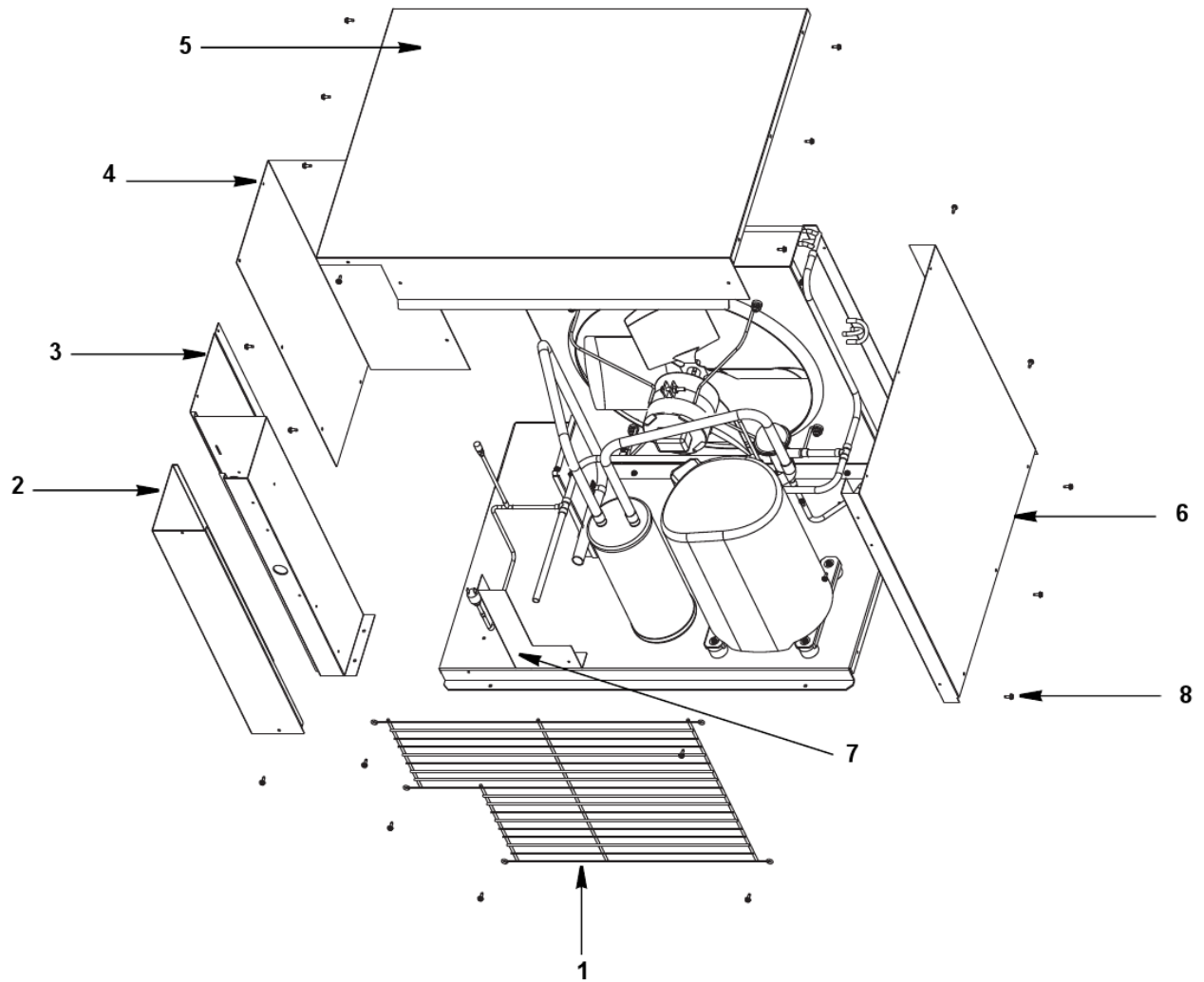
RFC1285 CONDENSING UNIT

#	PART #	DESCRIPTION	QTY	Note
---	--------	-------------	-----	------

PART NOTES:

- [1] - Used for Panel Attachment
- [2] - 50 Hz Only

RFC1285 CONDENSING UNIT PANELS



SF1200, SN1250, RFC1285

RFC1285 CONDENSING UNIT PANELS

#	PART #	DESCRIPTION	QTY	Note
1	3406893	Condenser Fan Guard		
2	6040171	Control Box Cover		
3	6037071	Control Box Panel		
4	6037051	Left Side Panel		
5	6034751	Cover Top		
6	6034701	Right Side Panel		
7	6042261	Condensing Unit Tube Shield		
8	5202069	Screw - #10-24 x 0.50" HEX		
9	000000768	Cartoning		