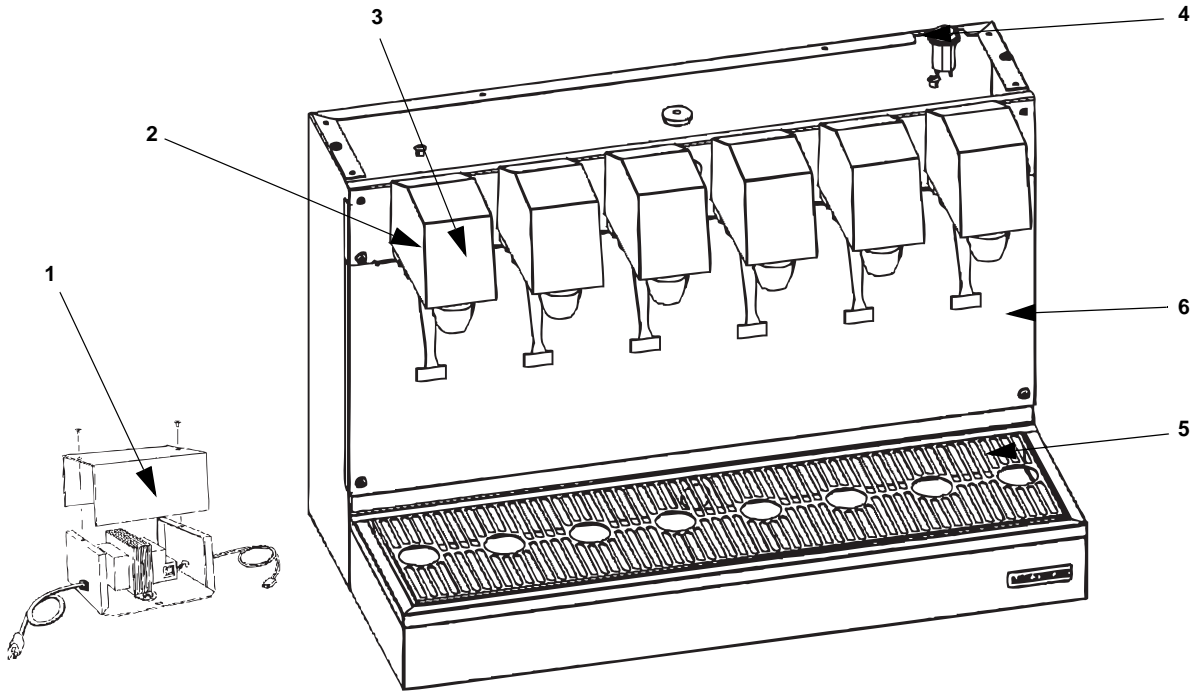




Multiplex Model 136 & 138 Sanitary Lever Towers

136FDL	138FDL
136FDLX	138FDLX
136EDLX	138EDL
136LDL	138EDLX
136LDLX	138LDL
	138LDLX
	138ENL
	138ENLX

136 & 138 SANITARY LEVER TOWER BASE PARTS



Part Numbers:
 00913622
 00913623
 00913604
 00913666
 00913667
 00913668
 00913669
 00913822
 00913828
 00913871
 00913803
 00913804
 00913866
 00913867
 00913868
 00913869
 00913849
 00913850

DESCRIPTION

	PART NO.
1 Single Transformer Assembly	
a. 120/24 VAC, 60 Hz, 75 VA, Reset 24 FC, Domestic only	00214128
b. 220/24 VAC, 50/60 Hz, 75 VA with Reset, International only	CE217314
2 Block Assembly, Flomatic *QD* Mounting	00218077
3 Valve Assembly	
a. Flomatic 464 with Cover with lever, Plastic	00219425
b. Flomatic 464 with Cover with Portion Control	00219427
c. Flomatic 424 with Portion Control	00219008
d. Flomatic 464 with Cover with Push-button	00219426
e. Flomatic 424 with Push-button	00219005
f. Flomatic 454 with S/S lever, Black Cover without Mtg Block.	00219021
4 Single Pole Single Throw Key Operating Switch , 1/4 Tabs	00216234
5 Cup Support	
a. Six Station Punched 136 Tower Punched	00218946
b. Eight Station Punched Cup Support, 24.0" x 6.0" x 1.0"	00218438
6 Splash Plate with 3" Drain Pan, for Model 136 or 138	00219019
7 Accessory Kit , Flomatic 424/454/46	00219066
8 Installation Kit for Model 136 or 138 Tower Series	00219022