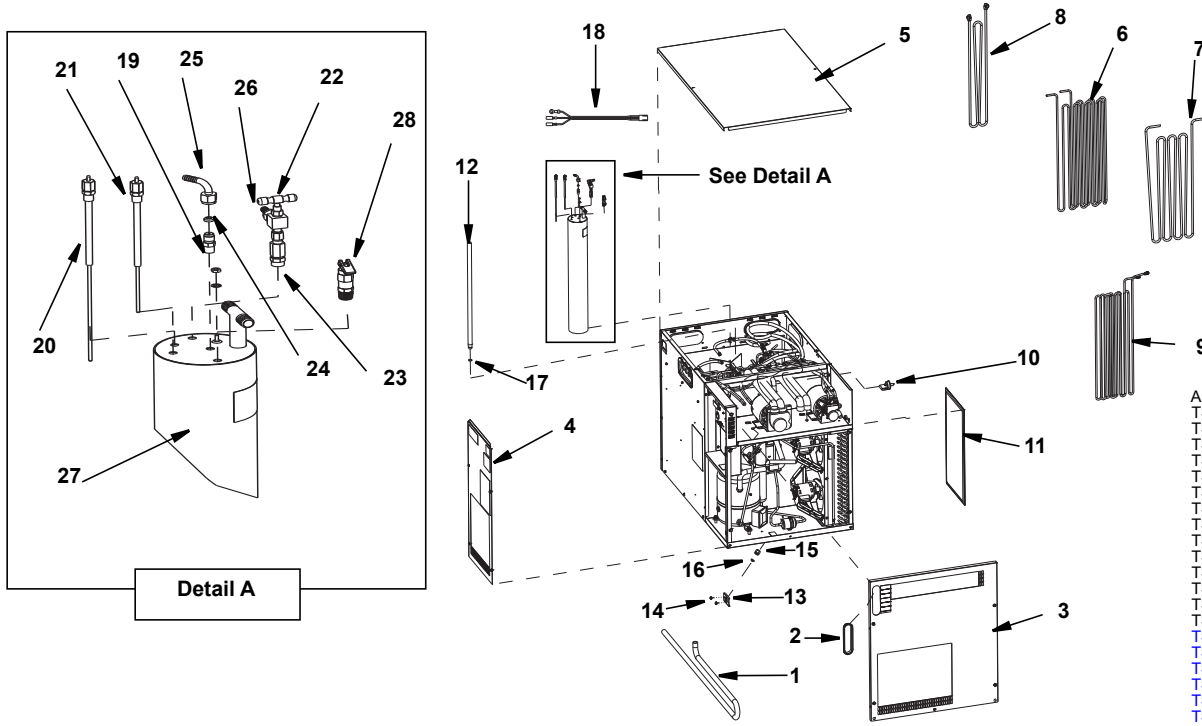




Model 50 (TS) Series Soda Post-Mix Refrigeration Unit Parts List for Models

50MA04	50GA04
50MR04	50GR04
50MW04	50GW04
50MR04 Q/T	50GR04 Q/T
50MAX04	50GAX04
50MRX04	50GRX04
50MWX04	50GWX04

TUBES, PANELS & CARBONATOR



Applies To:
 TS905050-263
 TS905053-353
 TS905051-263
 TS905046-263
 TS905054-353
 TS905052-263
 TS905055-353
 TS905050E-263
 TS905053E-353
 TS905051E-263
 TS905046E-263
 TS905054E-353
 TS905052E-263
 TS905055E-353
 TS905050G-263
 TS905053G-353
 TS905051G-263
 TS905054G-353
 TS905052G-263
 TS905055G-353

DESCRIPTION

- 1 Tubing 3/4 ID X1 OD
- 2 Switch Cover
- 3 Right Side Panel
- 4 Front Panel
- 5 Top Cover
- 6 SS Tube Coil .312 OD (Pre-Chill)
- 7 SS Tube Plain Water -.375 OD
- 8 **SS Syrup Tube**
- a. Model 50M/MX04 Coil Assy Syrup .375 OD - 1/4" Barb Fitting
- b. Model 50M Q/T Coil Assy Syrup 5/16 X 10 ft - 3/8 Barb Fitting
- 9 SS Tube Coil .312 OD (Soda)
- 10 Switch, Press. 4psi Low Water
- 11 Air Filter
- 12 Stand Pipe- 24.25 Lg
- 13 Bracket, Hose Retainer
- 14 Screws Bracket, Hose Retainer
- 15 Tub Drain Fitting
- 16 Drain Nut
- 17 O-ring, Rubber -.750 OD X.625 ID
- 18 Carbonator Tank Harness Cord Assembly (For G & E Series)

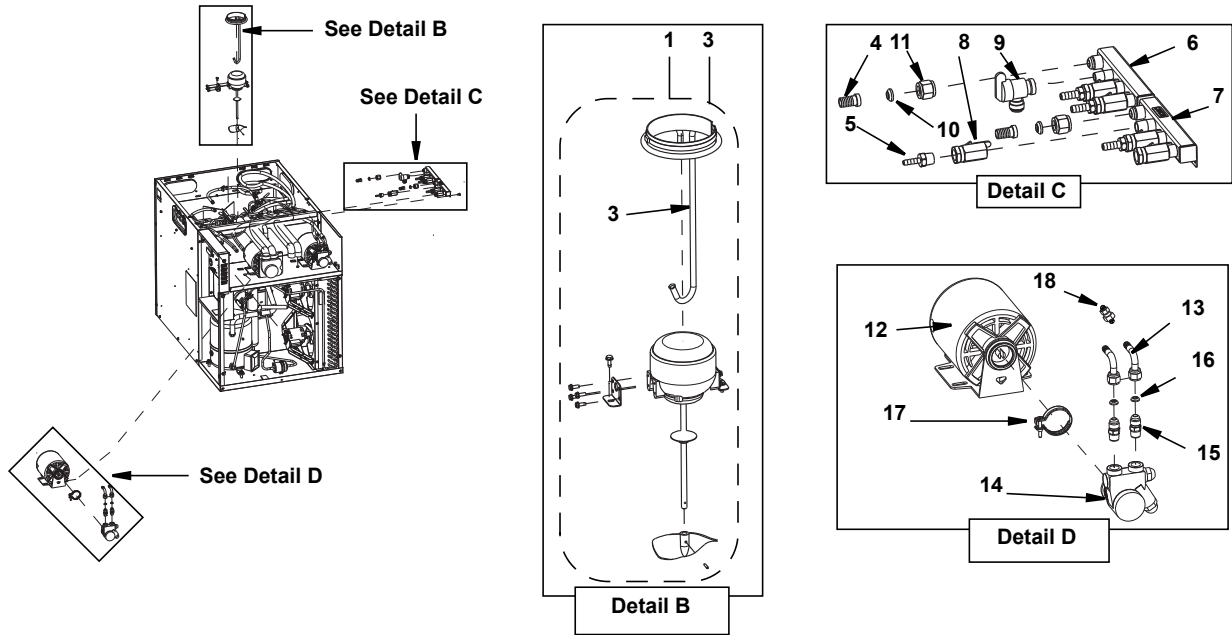
- PART NO.**
 213-1216
 000001755
 020001715
 020001716
 6052071
 3002043
 3002073
 3002083
 000006662
 3002173
 2002743
 000001430
 3001723
 6052031
 5001673
 5001063
 00206387
 00850127
 020002093

Detail A (Carbonator Tank)

- 19 Adapter, 1/4MF x 1/8MPT .90 S/S
- 20 Electrode Assembly, 10.8", Black
- 21 Electrode Assembly, 7.9", Red
- 22 Shut Off Valve 1/4 X 1/4
- 23 Single Check Valve 1/8 NPT SS
- 24 Tapered Washer -.250 Flare
- 25 Barb-stem Ell - 1/4x1/4 Swv S/S
- 26 Barb-stem Adpt 1/4barbx1/4sw
- 27 Carb Tank - Assy
- 28 Toggle Relief Valve 150# 1/8mpt

- 00216384
 Y0208032
 Y0208031
 8251513
 00701312
 5001823
 5001903
 5001873
 3001873
 00701334

AGITATOR, MANIFOLD, CARB PUMP & MOTOR



Applies To:
 TS905050-263
 TS905053-353
 TS905051-263
 TS905046-263
 TS905054-353
 TS905052-263
 TS905055-353
 TS905050E-263
 TS905053E-353
 TS905051E-263
 TS905046E-263
 TS905054E-353
 TS905052E-263
 TS905055E-353
 TS905050G-263
 TS905053G-353
 TS905051G-263
 TS905046G-353
 TS905052G-263
 TS905055G-353

DESCRIPTION

Detail B (Agitator Motor)

- 1 Motor Assembly Kit (Agitator w/Heat Sink Tube) Domestic/International - 230 VAC, 50/60 Hz.**
- a. Agitator Motor Mounting Bracket
- b. Water Slinger Washer
- c. Plastic Propeller
- d. Internal Tooth Washer
- e. Tab-clamp 3.909-4.035 SS
- f. Roll Pin 3/32 X 9/16 SS
- g. Electrical Sleeve Tubing
- h. Agitator Motor 25w 230/50/60
- 2 Motor Assembly - 230V 50/60HZ (w/Propeller, Pin, Terminals, Washer Slinger, No Heat Sink) G Series Only**
- 3 Heat Sink Tube Asm And Clamp**

PART NO.

- 00213237**
- 00215727**
- 00377102**
- 00751208**
- 00856302**
- 00859119**
- 00859503**
- RM156120**
- 00213018**
- 020003223**
- 6052321**

Detail C (Manifold)

- 4 Barb-stem Adpt 1/2barbx1/2sw.**
- 5 Adapter -.250 Barbx.375 Mpt**
- 6 Manifold Water 3 Outlet**
- 7 Manifold Water 3 Outlet**
- 8 Valve Ball 3/8 Fptx3/8 Fpt Bras**
- 9 Valve, Shutoff-1/4 Turn,jg,1/4fptx3/8 Tube**
- 10 Washer Tapered-.50 Flare-nyl**
- 11 Nut SWV 1/2 Flare NP Brass**

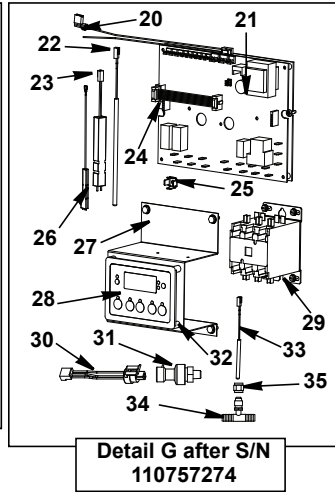
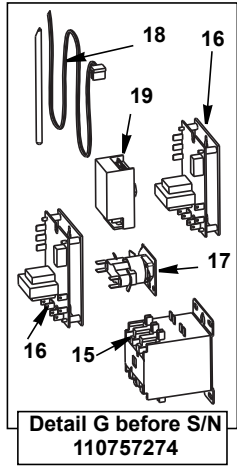
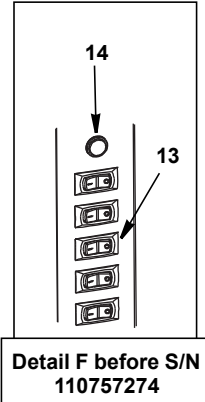
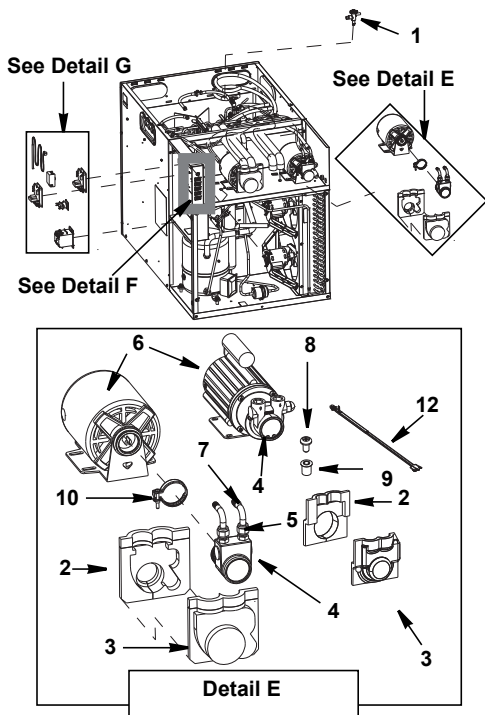
- 5001983**
- H48-4-6**
- 000001973**
- 000002232**
- 00204789**
- 5001343**
- 5001793**
- 00855017**

Detail D (Carbonator Motor & Pump)

- 12 Motor**
- a. 230v, 1/3hp
- 50/60HZ Energy Model 50G020003095
- 13 Adapter, Elbow 3/8 SWV x 3/8 Barb**
- 14 Pump, 100 Gph-brass,fltr,250 Psi**
- 15 Coupling-3/8 Flare X 3/8 Npt**
- 16 Washer Tapered-.38 Flare-nyl**
- 17 Carb Pump Clamp**
- 18 Back flow Preventer**

- 5009598208-230V**
- 5001943**
- 2002763**
- 8332023**
- 5001833**
- 00-1222**
- 000003335**

WATER PUMP, MOTOR, CONTROLS & SENSORS

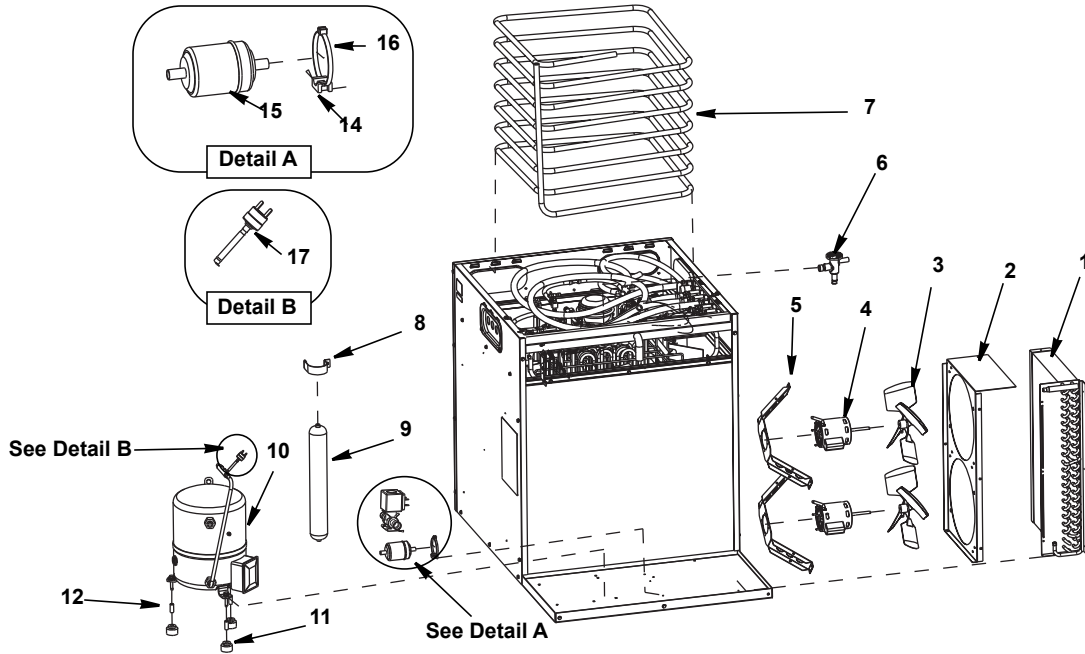


Applies To:
 TS905050-263 TS905053-353
 TS905051-263 TS905046-263
 TS905054-353 TS905052-263
 TS905055-353 TS905050E-263
 TS905053E-353 TS905051E-263
 TS905046E-263 TS905054E-353
 TS905052E-263 TS905055E-353
 TS905050G-263 TS905053G-353
 TS905051G-263 TS905054G-353
 TS905052G-263 TS905055G-353

DESCRIPTION

		PART NO.
1	Thermal Expansion Valve	
a.	Dual to Single Valve Conversion Kit	000003932
b.	Single Valve Replacement	000002976
Detail E (Circulation Motor & Pump)		
2	Boot Front, Motor Pump	
a.	All Other Model 50	4010243
b.	For Model 50G only	020003214
3	Boot Rear, Motor Pump	
a.	All Other Model 50	4010253
b.	For Model 50G only	020003212
4	Pump	
a.	100 Gph - S/Steel	2002753
b.	100 Gph - S/Steel w/Bypass (Model 50G only)	020003449
5	Adapter, 3/8mf X 3/8 Mpt S/s.	5001803
6	Motor	
a.	230V, 1/3hp Motor only	2002543
b.	230/115V 50/60HZ with Pump (Model 50G only)	020003095
c.	230/115 50/60 HZ Motor only (Model 50G only)	020003769
d.	Retrofit Kit - 230/115 50/60 HZ (Model 50G only)	020003211
7	Adapter, Elbow 3/8 SWV x 3/8 Barb	5001943
8	Model 50G Only - Screw Pan HD Phil ZC.25-20X.50	000008884
9	Model 50G Only - Insert THD Nut .25-20ID ALUM	000008883
10	Carb Pump Clamp	00-1222
11	Motor Shelf (Not Shown)	
a.	All Other Model 50	000001276
b.	For Model 50G only	000008475
12	Harness Motor/Pump	
a.	All Other Model 50	000001462
b.	For Model 50G only	020003207
Detail F (Switches Non-ERC Model 50 only)		
13	Switch, Rocker - Spst, 16a	2002893
14	Lamp Ind 250V Red W/3/16 Tabs	00212690
Detail G (Liquid Level & Ice Bank Controls Non-ERC Model 50)		
15	Contactor - 3 Pole	
a.	Domestic - 3 Pole 120V 30 FLA	2007879
b.	International - 3 Pole 25A 230V	2003173
16	Liquid Level Control	
a.	Domestic - 120V	00219104
b.	International - 220V	00219105
17	Relay, therm. Time Delay Dpstnc	040000939
18	Sensor, Elec. Ice Bank Cntrl	2002733
19	Ctrl. Elec Ice Bank 230v lhi	020007084
Detail G (ERC Controls Model 50)		
20	HPCO Wiring Harness	020002329
21	Control Board	020001985
22	Water/Glycol Water Bath temperature sensor	020002142
23	Water Level Sensor	020002143
24	Ribbon Cable	020001987
25	Ground Terminal	000001452
26	Ice Bank Control	020002091
27	Bracket	000003157
28	Display Keypad	020001986
29	Contactor	2006619
30	Pressure Switch Wiring Harness	020002070
31	Pressure Switch	020001992
32	Adaptor 3/4 Barb x 3/4 Barb NYL	000001986
33	Recirc Temperature Sensor	020001991
34	Tee	5003143
35	Nut	5002003
36	Ice Bank Probe Bracket (not shown)	00217546
37	Rubber Ferrule (not shown)	020001993
38	Lonworks (not shown)	020002283

AIR COOLED PARTS



Applies To:
 TS905050-263
 TS905053-353
 TS905050E-263
 TS905053E-353
 TS905050G-263
 TS905053G-353

DESCRIPTION

	PART NO.
1 Air Condenser (11x 22)	00001193
2 Condenser Fan Shroud	00001324
3 Fan Blade	00001425
4 Fan Motor	
a. Domestic - 230V 60HZ 35W W/36i (For Model SS905050)	8251883
b. Domestic - 208/230V 50/60HZ (For All Current TS Models)	000002315
c. International - 220V 50HZ 23.2W	00753724
5 Fan Motor Bracket	000001327
6 Thermal Expansion Valve	
a. Dual to Single Valve Conversion Kit	000003932
b. Single Valve Replacement	000002976
7 Evaporator Coil 50MA-R 404A (2 Per Unit)	000010580
8 Receiver Strap	6000541
9 Receiver Port (2-1/8 OD x 15, 3/8)	000008894
10 Compressor	
a. Domestic - 2.20HP 230V, 3PH, 60Hz	00215457
b. International - 2.20HP 380V	00215922
11 Rubber Grommet	8503063
12 Sleeve (3/8 ID x 1.031" Long)	8503943
13 Sensors	
a. Suction Line Temp	020001991
b. Discharge Line Temp	020001991
c. Circ A Temp	020001991
d. Circ B Temp	020001991

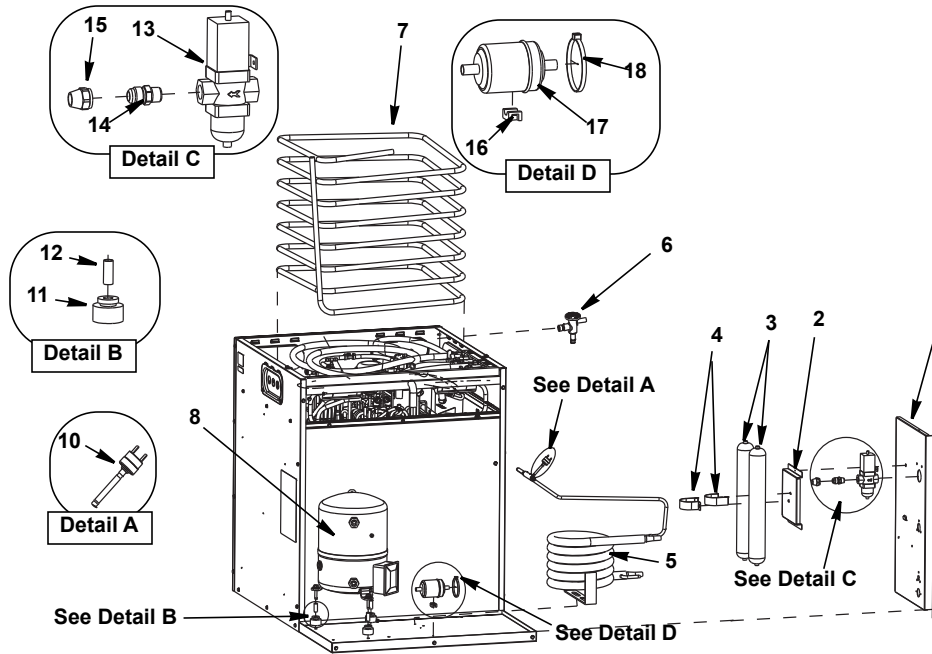
Detail A

14 Mounting Base	5650613
15 Drier	8930279
16 Plastic Cable Tie (Pkg Of 2)	5650359

Detail B

17 High Pressure Cutout Control	000013579
---------------------------------------	---------------------------

WATER COOLED PARTS

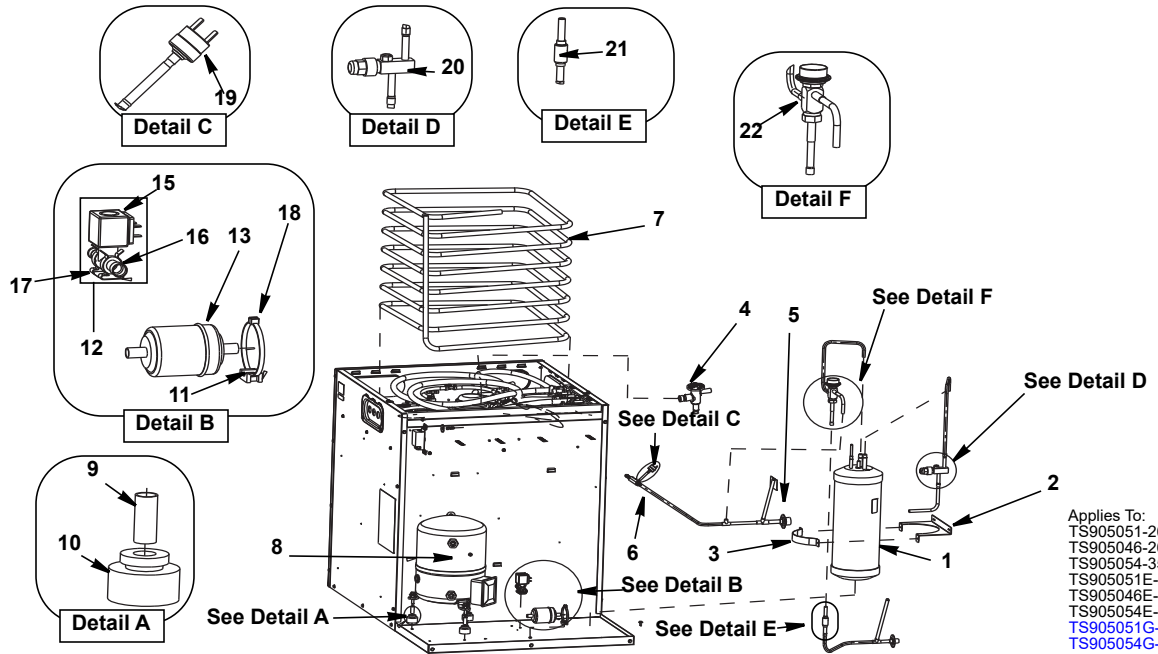


Applies To:
 TS905052-263
 TS905055-353
 TS905052E-263
 TS905055E-353
 TS905052G-263
 TS905055G-353

DESCRIPTION

	PART NO.
1 Water/Rem Coupling Panel	000001363
2 Receiver Bracket	000001329
3 Receiver Port (2-1/8 OD x 15, 3/8)	000008894
4 Receiver Strap	6000541
5 Water Condenser	8253039
6 Thermal Expansion Valve	
a. Dual to Single Valve Conversion Kit	000003932
b. Single Valve Replacement	000002976
7 Evaporator Coil 50MA-R 404A (2 Per Unit)	000010580
8 Compressor	
a. Domestic - 2.20HP 230V, 3PH, 60Hz	00215457
b. International - 2.20HP 380V	00215922
9 Sensors	
a. Suction Line Temp	020001991
b. Discharge Line Temp	020001991
c. Circ A Temp	020001991
d. Circ B Temp	020001991
Detail A	
10 High Pressure Cutout Control	000013579
Detail B	
11 Rubber Grommet	8503063
12 Sleeve (3/8 ID x 1.031" Long)	8503943
Detail C	
13 Water Regulating Valve	8372069
14 Coupling (1/2 Flare x 3/8 MPT)	8332033
15 Flare Nut (.50)	5003883
Detail D	
16 Mounting Base	5650613
17 Danfoss Drier DML-0535	8930279
18 Plastic Cable Tie 15-1/8 50#	5650359

REMOTE COOLED PARTS

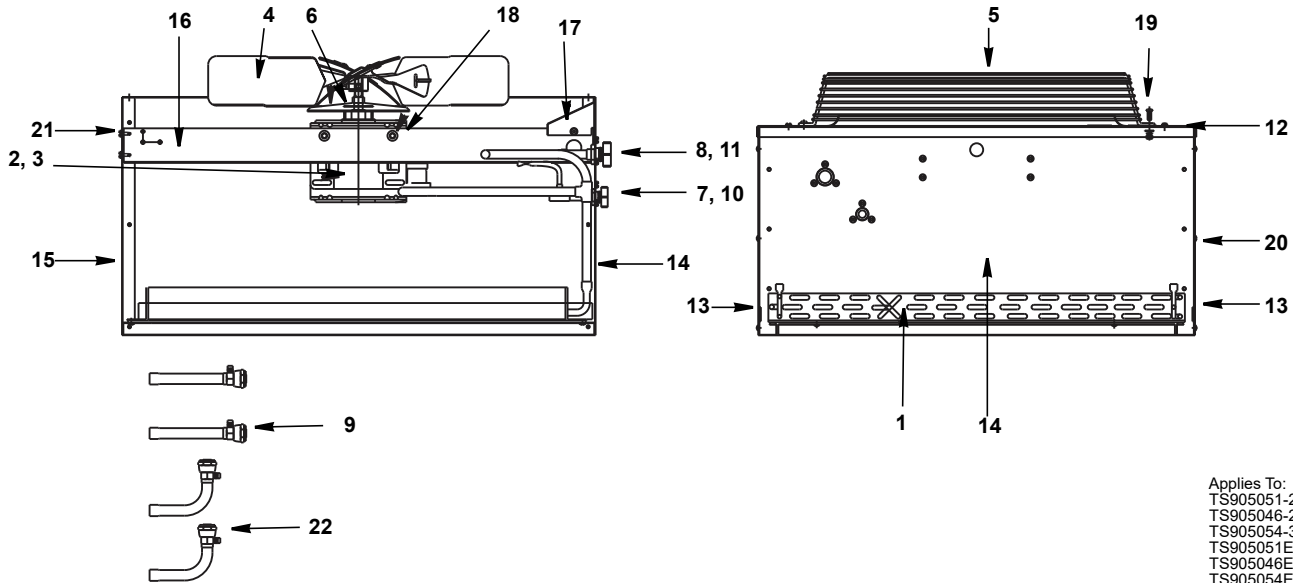


Applies To:
 TS905051-263
 TS905046-263
 TS905054-353
 TS905051E-263
 TS905046E-263
 TS905054E-353
 TS905051G-263
 TS905054G-353

DESCRIPTION

1	Receiver (6.00" Dia x 16.00" Long)	7629573
2	Receiver Mounting Bracket	6000561
3	Receiver Mounting Strap	6307214
4	Thermal Expansion Valve	
	a. Dual to Single Valve Conversion Kit	000003932
	b. Single Valve Replacement	000002976
5	Coupling	00203816
6	Manifold	000001426
7	Evaporator Coil 50MA-R 404A (2 Per Unit)	000010580
8	Compressor	
	a. Domestic - 2.20HP 230V, 3PH, 60Hz	00215457
	b. International - 2.20HP 380V	00215922
Detail A		
9	Sleeve (3/8 ID x 1.031" Long)	8503943
10	Rubber Grommet	8503063
Detail B		
11	Mounting Base	5650613
12	Liquid Line Solenoid Assembly Kit	
	a. 120VAC - Valve/Solenoid/Coupler For Units Prior to Serial 110952651	7630031
	b. 230VAC - Valve/Solenoid/Coupler For Units Prior to Serial 110952651	7630091
13	Drier	8930279
14	Liquid Line Solenoid Wiring Harness - NOT SHOWN	000001460
15	Danfoss Coil (208-230V 50/60Hz)	020003477
16	Refrigerant Solenoid Valve	
	a. Solenoid EVU4 Valve (.500 in - .375 out) For Units Prior to Serial 110952651	8251373
	b. Valve Refrigerant Solenoid EVUL3 (3/8in x 3/8in) For Serial 110952651 and Up.	000006495
17	Danfoss Valve Bracket For Units Prior to Serial 110952651	000000805
18	Plastic Cable Tie (Pkg Of 2)	5650359
Detail C ----		
19	High Pressure Cutout Control	000013579
Detail D		
20	Receiver Valve	8373169
Detail E		
21	Check Valve 3/8 OFD	8373149
Detail F		
22	Head Pressure Valve (180 Psi 3/8 ODF)	00209235
23	Sensors	
	a. Suction Line Temp.	020001991
	b. Discharge Line Temp	020001991
	c. Circ A Temp	020001991
	d. Circ B Temp	020001991

REMOTE CONDENSER TS0895



Applies To:
 TS905051-263
 TS905046-263
 TS905054-353
 TS905051E-263
 TS905046E-263
 TS905054E-353
 TS905051G-263
 TS905054G-353

DESCRIPTION

	PART NO.
1 Air Condenser	8850629
2 Fan Motor (208-230V 50/60 Hz/1 Ph).	2009673
3 Fan Motor Run Capacitor	
a. Emerson	8504583
b. Magnatec.	N/A
4 Fan Blade	2416113
5 Fan Guard.	3400643
6 Rain Slinger	2415053
7 Coupling – Male, 5/8-18	8360343
8 Coupling – Male, 1-1/6-12	8360353
9 Female Line Set Coupling Kit (Sold as Finished Goods Sales Kit)	Sales K0129

Miscellaneous – Brackets, Screws, Etc.

10 Coupling Mounting Flange (for 5/8-18).	8360053
11 Coupling Mounting Flange (for 1-1/16-12)	8360063
12 Top Cover	6017751
13 Panel – Side	000000609
14 Panel – Rear.	000000608
15 Panel – Front	000000607
16 Fan Motor Mounting Bracket	6017681
17 Electrical Box Cover	6017761
18 Fan Motor Mounting Screw (5/16-18 x 5/8)	5035659
a. Fan Motor Mounting Flat washer.	5573099
b. Fan Motor Mounting Lock washer	5573139
c. Fan Motor Mounting Hex nut.	5429759
19 Fan Guard Mounting Screw (1/4-20 x 5/8)	5033459
a. Fan Guard Mounting Flat washer	5573049
b. Fan Guard Mounting Lock washer	5545119
c. Fan Guard Mounting Hex nut	5429529
20 Panel/Condenser Mounting Screw (#8 x 1/2)	5121539
a. Panel/Condenser Mounting Lock washer	5544599
21 Screw (#10-24 x 1/2)	5202069
22 Valve Cores (used in line sets)	7626843
23 Legs (Not shown)	6017691