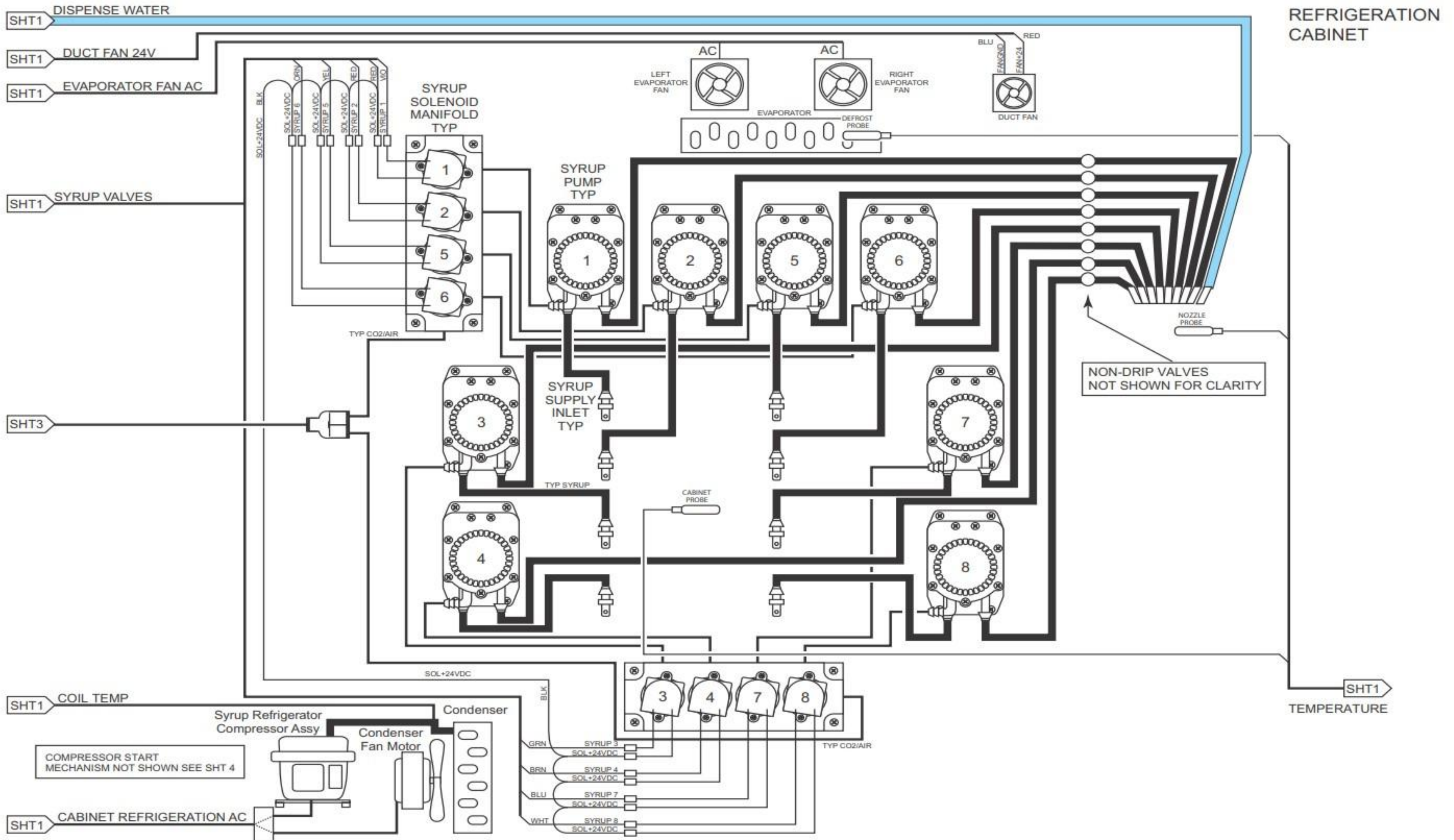
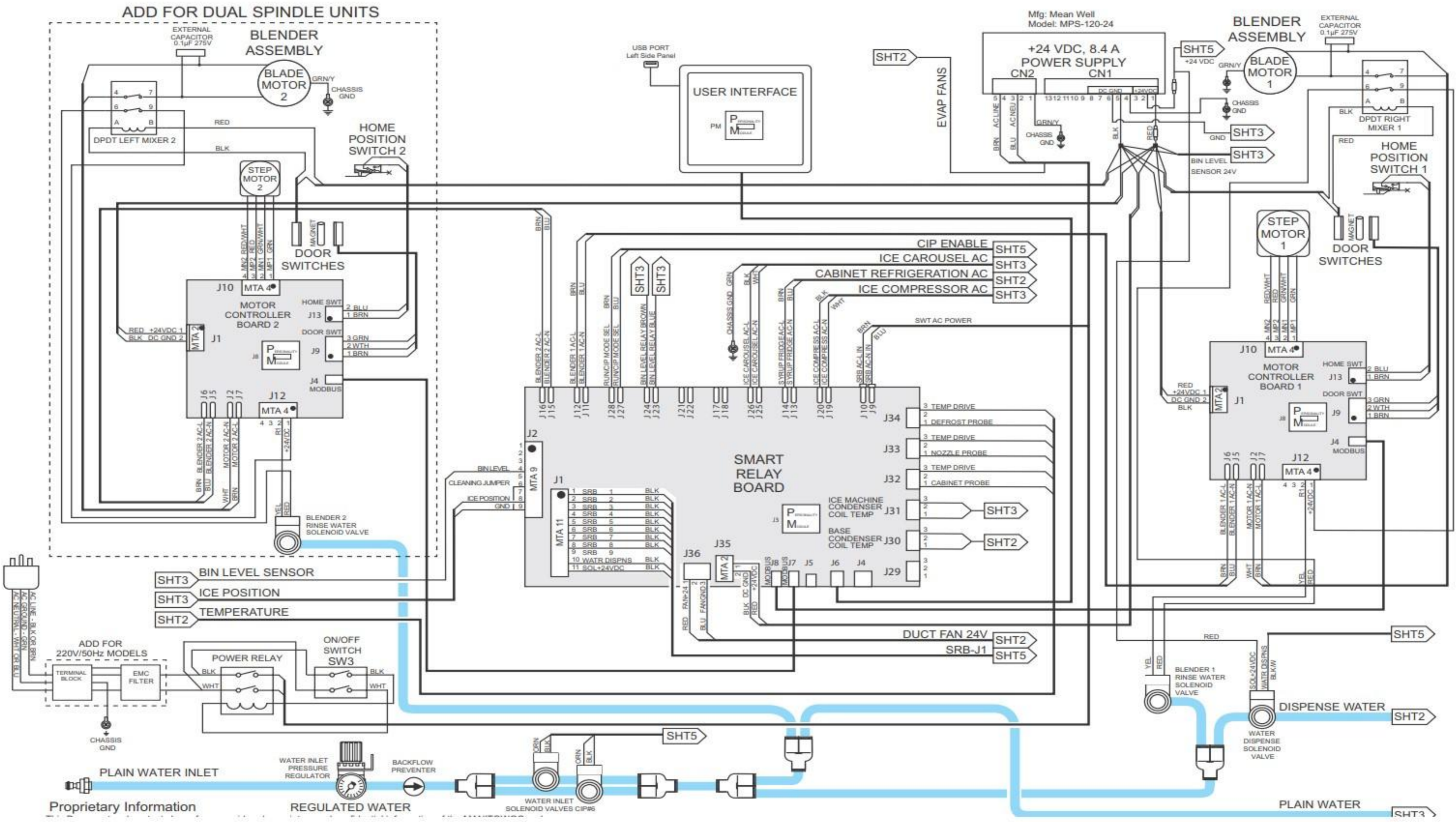


ICE POSITION SHT1



Proprietary Information

This Document and contents hereof are considered proprietary and confidential information of the MANITOWOC and



Proprietary Information

REGULATED WATER

PLAIN WATER

SHT3