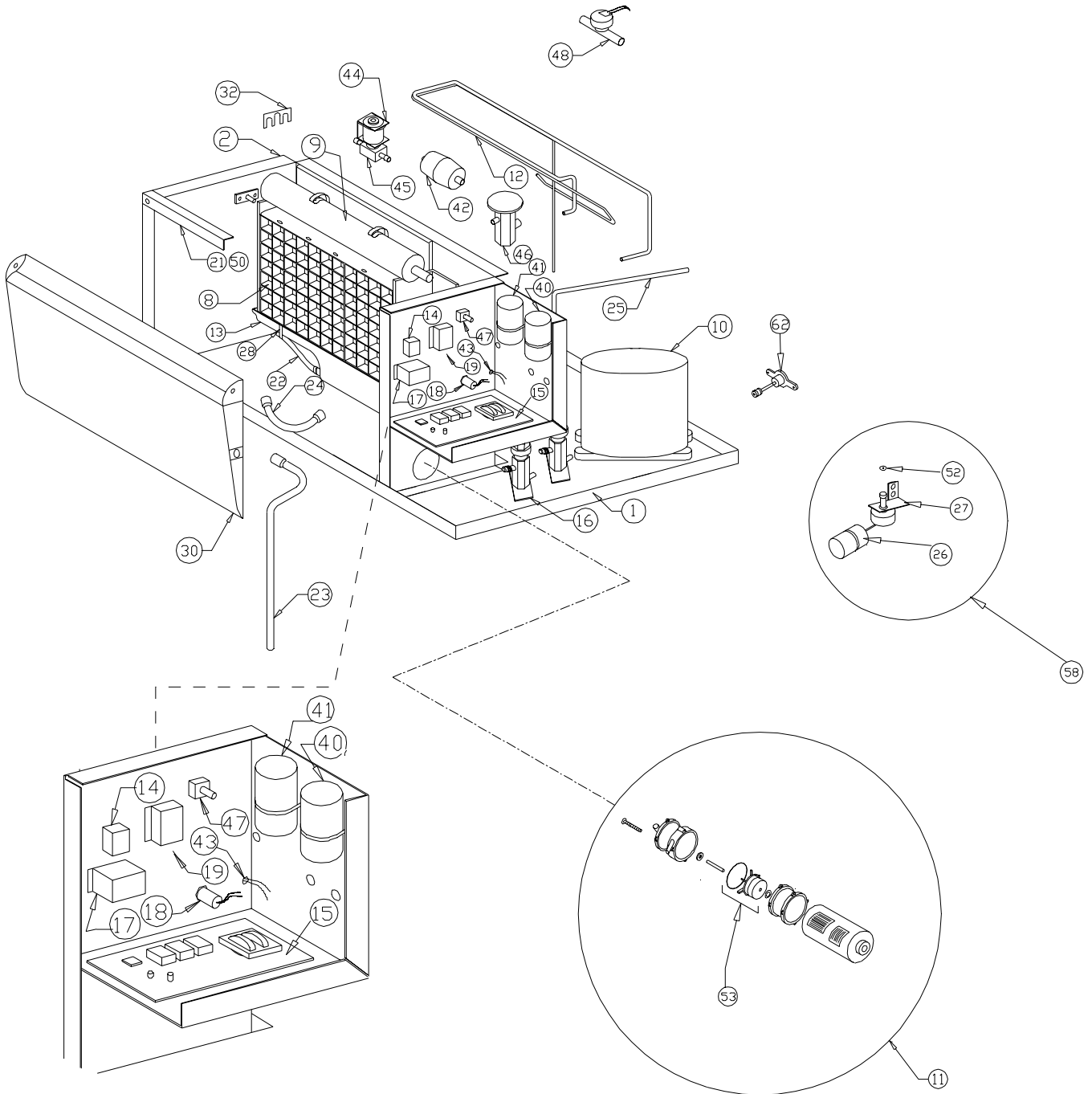


## R-502 Cubers

<b>R-502 CUBERS</b> .....	<b>502 CUBE - 1</b>
<b>C SERIES SIPHON SYSTEM BASE EXPLODED VIEW</b> .....	<b>502 CUBE - 2</b>
<b>C SERIES SIPHON SYSTEM BASE PARTS LIST</b> .....	<b>502 CUBE - 3</b>
<b>C SERIES SIPHON SYSTEM CONDENSER EXPLODED VIEW</b> .....	<b>502 CUBE - 7</b>
<b>C SERIES SIPHON SYSTEM CONDENSER PARTS LIST</b> .....	<b>502 CUBE - 8</b>
<b>S SERIES BASE / CONTROL BOX EXPLODED VIEW</b> .....	<b>502 CUBE - 10</b>
<b>S SERIES BASE PARTS LIST</b> .....	<b>502 CUBE - 11</b>
<b>S SERIES CONDENSER EXPLODED VIEW</b> .....	<b>502 CUBE - 14</b>
<b>S SERIES CONDENSER PARTS LIST</b> .....	<b>502 CUBE - 15</b>
<b>C SERIES 30" PURGE VALVE BASE</b> .....	<b>502 CUBE - 16</b>
<b>C SERIES 30" PURGE VALVE / CONTROL BOX PARTS LIST</b> .....	<b>502 CUBE - 17</b>
<b>C SERIES 30" PURGE VALVE CONDENSER EXPLODED VIEW</b> .....	<b>502 CUBE - 20</b>
<b>C SERIES 30" PURGE VALVE CONDENSER PARTS LIST</b> .....	<b>502 CUBE - 21</b>
<b>C SERIES 48" BASE / CONTROL BOX EXPLODED VIEW</b> .....	<b>502 CUBE - 22</b>
<b>C SERIES 48" BASE / CONTROL BOX PARTS LIST</b> .....	<b>502 CUBE - 23</b>
<b>C SERIES 48" CONDENSER EXPLODED VIEW</b> .....	<b>502 CUBE - 26</b>
<b>C SERIES 48" CONDENSER PARTS LIST</b> .....	<b>502 CUBE - 27</b>
<b>C AND S SERIES EXTERIOR PANELS EXPLODED VIEW</b> .....	<b>502 CUBE - 28</b>
<b>C AND S SERIES EXTERIOR PANELS PARTS LIST</b> .....	<b>502 CUBE - 29</b>
<b>C SERIES REMOTE CONDENSER EXPLODED VIEW</b> .....	<b>502 CUBE - 30</b>
<b>C SERIES REMOTE CONDENSER PARTS LIST</b> .....	<b>502 CUBE - 31</b>
<b>ICE STORAGE BIN EXPLODED VIEW</b> .....	<b>502 CUBE - 32</b>
<b>ICE STORAGE BIN PARTS LIST</b> .....	<b>502 CUBE - 33</b>

C SERIES SIPHON SYSTEM BASE EXPLODED VIEW



## C SERIES SIPHON SYSTEM BASE PARTS LIST

KEY #	DESCRIPTION	PART NUMBER	
		C2-A	C4-A
1	Bottom assembly	N / A	N / A
2	Evaporator enclosure	N / A	N / A
8	Evaporator assembly kit		
	Mini	5006740	5005794
	Full	5006739	5005795
	Jumbo	5006738	5005793
9	Distribution tube	5004140	88294941
10	Compressor kit		
	115 Volt 60 Hz	5006016	5006018
	208/230 Volt 60Hz	5006609	5006019
	220/240 Volt 50Hz	5006017	5006020
11	Water pump		
	115 Volt 60 Hz	5004772	5004772
	208/230 Volt 60Hz	5004771	5004771
	220/240 Volt 50Hz	5004771	5004771
12	Copper tubing	N / A	N / A
13	Water Pan	9200340	9200340
14	Toggle switch	88917953	88917953
15	Three relay to four relay circuit board conversion kit	5005814	5005814
16	Service access valve	88295943	88295943
17	Copeland Compressor relay		
	115 Volt 60 Hz	88368707	88295941
	208/230 Volt 60Hz	5000300	5000166
	220/240 Volt 50Hz	N / A	5000311
18	Curtain switch		
	proximity	88297675	88297675
19	Contacto		
	115 Volt 60 Hz	88295942	88295942
	208/230 Volt 60Hz	88295947	88295947
	220/240 Volt 50Hz	88295947	88295947
21	Horizontal brace	88294994	88294994
22	Tube		
	Siphon	9200012	9200012
23	Tube		
	Pump/distribution	88296426	88296427

C SERIES SIPHON SYSTEM BASE PARTS LIST

KEY #	DESCRIPTION	PART NUMBER	
		C2-A	C4-A
24	Tube Water pan / pump	9200695	9200695
25	Tube Water supply	9200376	9200008
26	Float valve assembly	9200377	9200377
27	Float bracket	<a href="#">88297691</a>	<a href="#">88297691</a>
28	Siphon tube clamp	88294991	88294991
29	Control box cover	88296408	88294992
30	Water curtain	88368772	9200989
32	Curtain shim	Full thickness	5001410
		Half thickness	5001413
40	Run capacitor	115 Volt 60 Hz	N / A
		208/230 Volt 60Hz	N / A
		220/240 Volt 50Hz	N / A
41	Start capacitor	115 Volt 60 Hz	88378706
		208/230 Volt 60Hz	88378706
		220/240 Volt 50Hz	N / A
42	Filter drier	<a href="#">88295938</a>	<a href="#">88295938</a>
43	Thermistor kit	5005853	5005853
44	Hot gas solenoid coil	115 Volt 60 Hz	88295934
		208/230 Volt 60Hz	88296419
		220/240 Volt 50Hz	88296419
45	Hot gas solenoid valve body	88295936	88295936
46	Expansion valve	<a href="#">88296861</a>	88296862
47	Curtain pin	<a href="#">88295931</a>	<a href="#">88295931</a>
48	High temperature safety (Therm-O-Disc)	88296841	88296841
50	Star lock washer	O901901	O901901
52	Water flow control washer	88297695	88297695
53	Water pump impeller kit	March	5003809
		Hartell	5003399

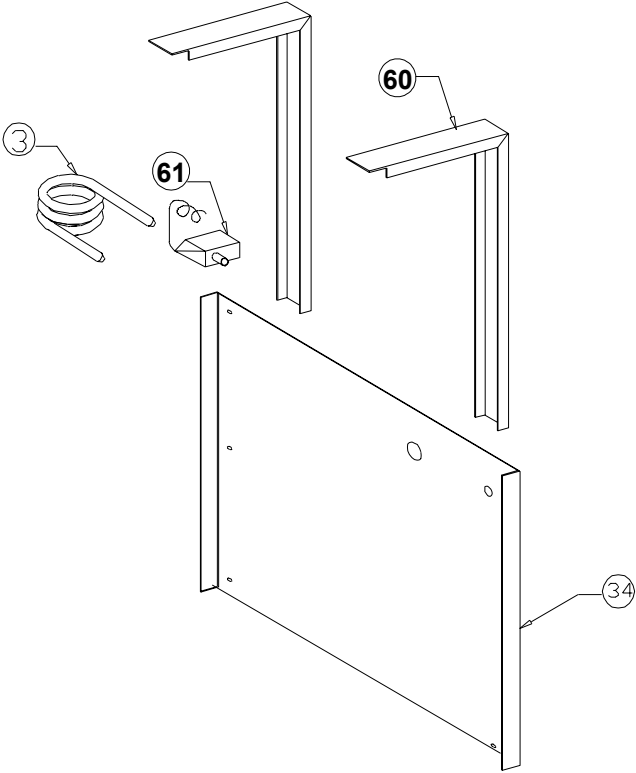
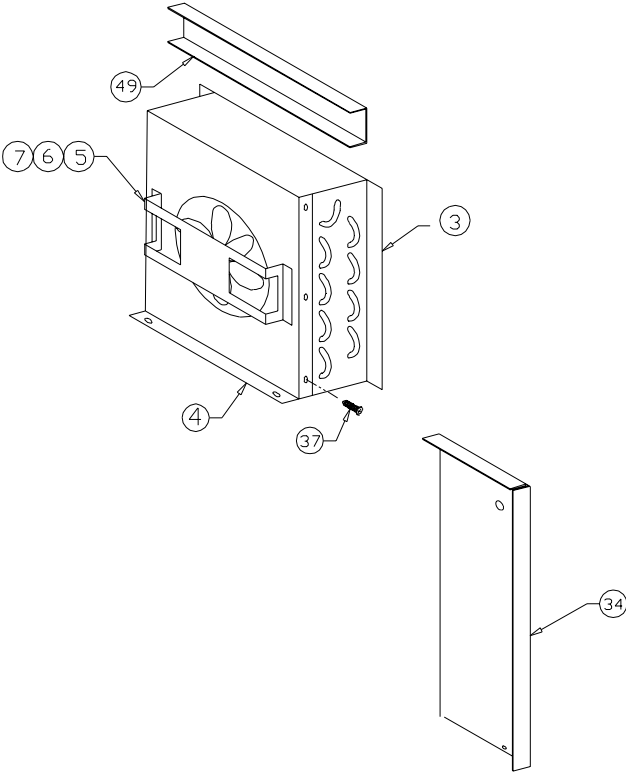
## C SERIES SIPHON SYSTEM BASE PARTS LIST

KEY #	DESCRIPTION	PART NUMBER	
		C7-A	C9-A
1	Bottom assembly	N / A	N / A
2	Evaporator enclosure	N / A	N / A
8	Evaporator assembly kit	Mini	5005794
		Full	<a href="#">5005795</a>
		Jumbo	5005793
9	Distribution tube	88294942	88294942
10	Compressor kit	208/230 Volt 60Hz	5006021
		220/240 Volt 50Hz	5006023
11	Water pump	208/230 Volt 60Hz	5004771
		220/240 Volt 50Hz	5004771
12	Copper tubing	N / A	N / A
13	Water Pan	9200340	9200340
14	Toggle switch	88917953	88917953
15	Three relay to four relay circuit board conversion kit	5005814	5005814
16	Service access valve	88295943	88295943
17	Compressor relay	208/230 Volt 60Hz	88296421
		220/240 Volt 50Hz	88296009
18	Curtain switch	proximity	88297675
19	Contactora	208/230 Volt 60Hz	<a href="#">88295947</a>
		220/240 Volt 50Hz	<a href="#">88295947</a>
21	Horizontal brace	88294994	88294994
22	Tube	Siphon	9200012
23	Tube	Pump/distribution	88296426
24	Tube	Water pan / pump	9200695
25	Tube	Water supply	9200008
26	Float valve assembly	9200377	9200377
27	Float bracket	<a href="#">88297691</a>	<a href="#">88297691</a>
28	Siphon tube clamp	88294991	88294991

C SERIES SIPHON SYSTEM BASE PARTS LIST

KEY #	DESCRIPTION	PART NUMBER	
		C7-A	C9-A
29	Control box cover	88294992	88295904
30	Water curtain	9200989	9200990
32	Curtain shim	Full thickness	5001410
		Half thickness	5001413
40	Run capacitor	208/230 Volt 60Hz	88295932
		220/240 Volt 50Hz	88295932
41	Start capacitor	208/230 Volt 60Hz	88295933
		220/240 Volt 50Hz	88296007
42	Filter drier	88295938	88296420
43	Thermistor kit	5005853	5005853
44	Hot gas solenoid coil	208/230 Volt 60Hz	88296419
		220/240 Volt 50Hz	88296419
45	Hot gas solenoid valve body	88295936	88296418
46	Expansion valve	88296862	88296863
47	Curtain pin	88295931	88295931
48	High temperature safety (Therm-O-Disc)	88296841	88296841
50	Star lock washer	O901901	O901901
52	Water flow control washer	88297695	88297695
53	Water pump impeller kit	March	5003809
		Hartell	5003399

C SERIES SIPHON SYSTEM CONDENSER EXPLODED VIEW



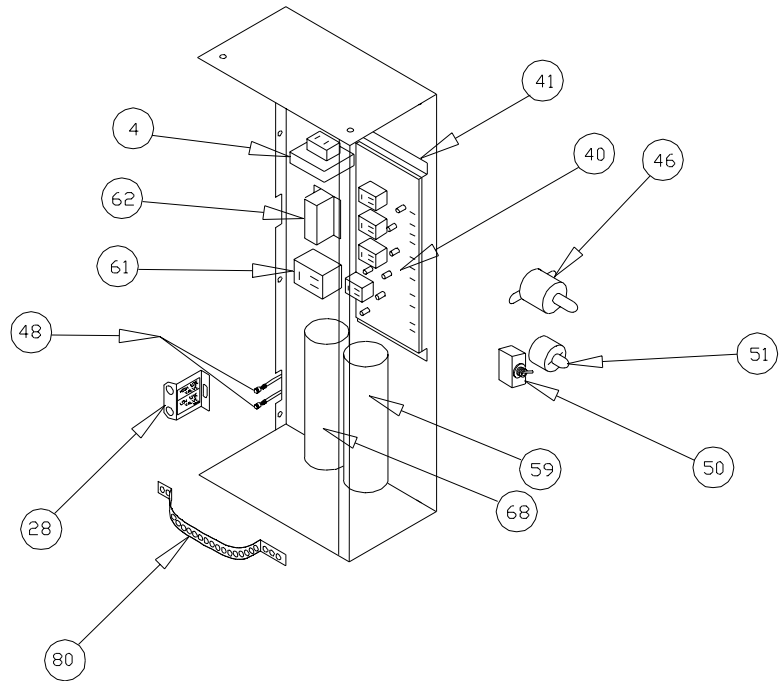
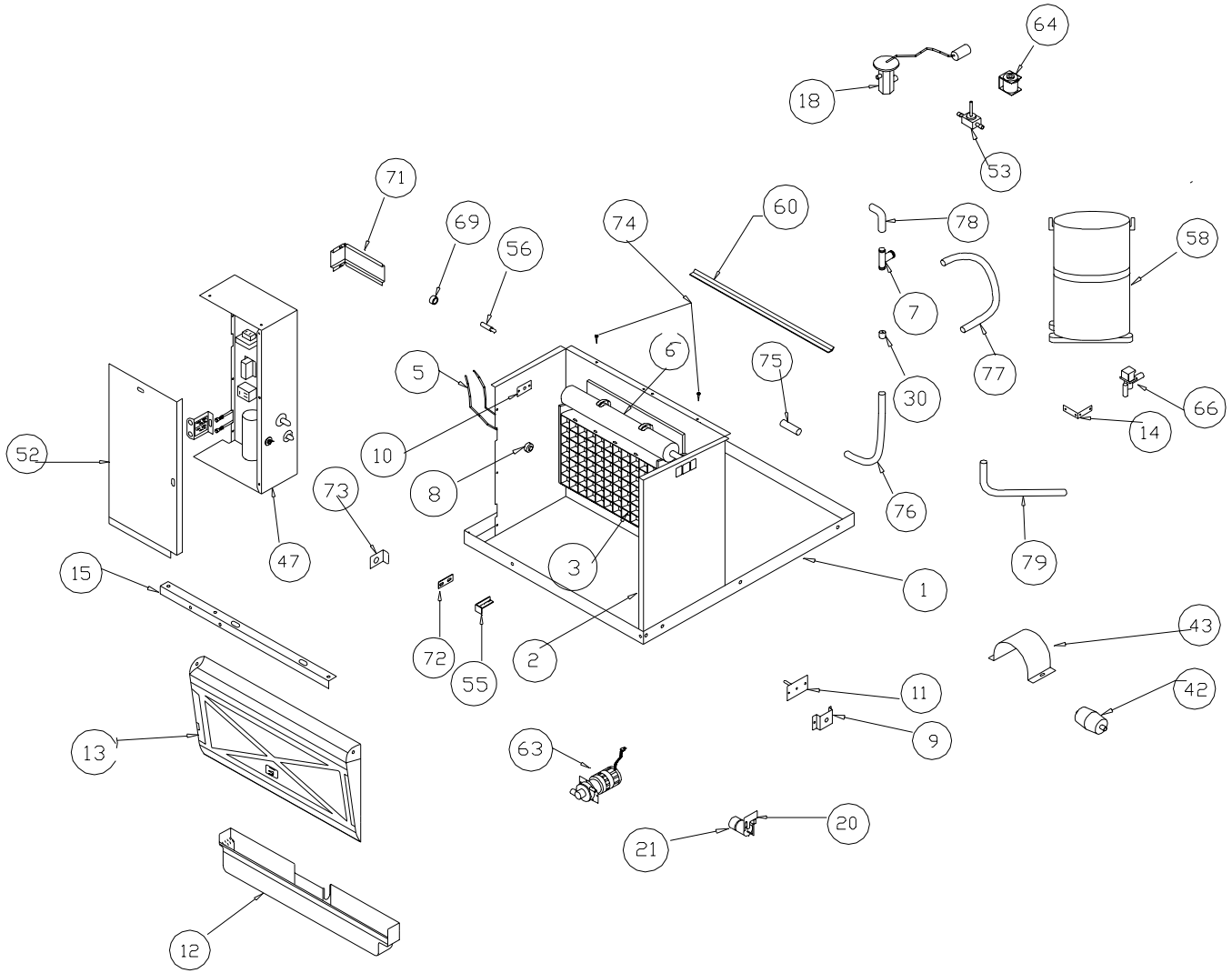
C SERIES SIPHON SYSTEM CONDENSER PARTS LIST

KEY #	DESCRIPTION	PART NUMBER		
		C2-A	C4-A	
3	Condenser	Air	88294971	88291186
		Water	88296452	88296453
4	Fan shroud	Air	88296406	88292931
5	Fan motor mounting bracket	Air	88296461	88296461
6	Fan motor	115 Volt 60 Hz	88295993	<a href="#">88295994</a>
		208/230 Volt 60Hz	88296001	5000340
		220/240 Volt 50Hz	88296001	88296002
7	Fan blade	Air	88292270	88292271
34	Rear panel	Air	88296403	88292965
		Water	88298806	88298805
37	Screw	Air	88297643	88297643
49	Filler Panel	Air	N / A	N / A
60	Support brace	Water	88299742	88299743
61	High pressure switch	Water	5004941	5004941

## C SERIES SIPHON SYSTEM CONDENSER PARTS LIST

KEY #	DESCRIPTION	PART NUMBER		
		C7-A	C9-A	
3	Condenser	Air	88291187	88291188
		Water	88296454	88296455
4	Fan shroud	Air	88292932	88292933
5	Fan motor mounting bracket	Air	88296461	9200780
6	Fan motor	208/230 Volt 60Hz	88294922	88295995
		220/240 Volt 50Hz	88296003	88296004
7	Fan blade	Air	88292272	88292273
34	Rear panel	Air	88292965	88292977
		Water	88298805	88298807
37	Screw	Air	88297643	88297643
49	Filler Panel	Air	N / A	88294947
60	Support brace	Water	88299743	88299744
61	High pressure switch	Water	5004941	5004941

S SERIES BASE / CONTROL BOX EXPLODED VIEW



CONTROL BOX

## S SERIES BASE PARTS LIST

KEY #	DESCRIPTION	PART NUMBER		
		S2-A	S4-A	
1	Bottom assembly	N / A	N / A	
2	Evaporator enclosure	N / A	N / A	
3	Evaporator assembly kit	Mini	5006740	5005794
		Full	5006739	<a href="#">5005795</a>
		Jumbo	5006738	5005793
4	Transformer	All voltages	5000609	5000609
5	Thermistor kit	All voltages	5005853	5005853
6	Distribution tube		88294940	88294941
7	1/2 x 1/2 x 3/4 Tee		9201082	9201082
8	Curtain switch	Hall	9200520	9200520
9	Curtain pin nut plate		9200639	9200639
10	Curtain pin guide bracket	Left	88297693	88297693
11	Curtain pin guide bracket	Stationary - right	5002601	5002601
12	Water pan		5002385	5002385
13	Curtain assembly		5002044	<a href="#">5002830</a>
14	Water dump solenoid bracket		9200882	9200882
15	Horizontal brace		N / A	N / A
18	Expansion valve		<a href="#">88296861</a>	88296862
20	Float bracket		5002499	5002499
21	Float assembly		9200377	9200377
28	Service access valve bracket		5003082	5003082
30	Water flow restrictor plug		5002480	5002480
40	Circuit board	All voltages	5005030	5005030
41	Circuit board bracket		9200683	9200683
42	Filter Drier		<a href="#">88295938</a>	<a href="#">88295938</a>
43	Water pump cover		<a href="#">9200883</a>	<a href="#">9200883</a>
46	High pressure reset	Water cooled only	5004941	5004941
47	Control box		N / A	N / A
48	Service access valve		5001805	5001805

S SERIES BASE PARTS LIST

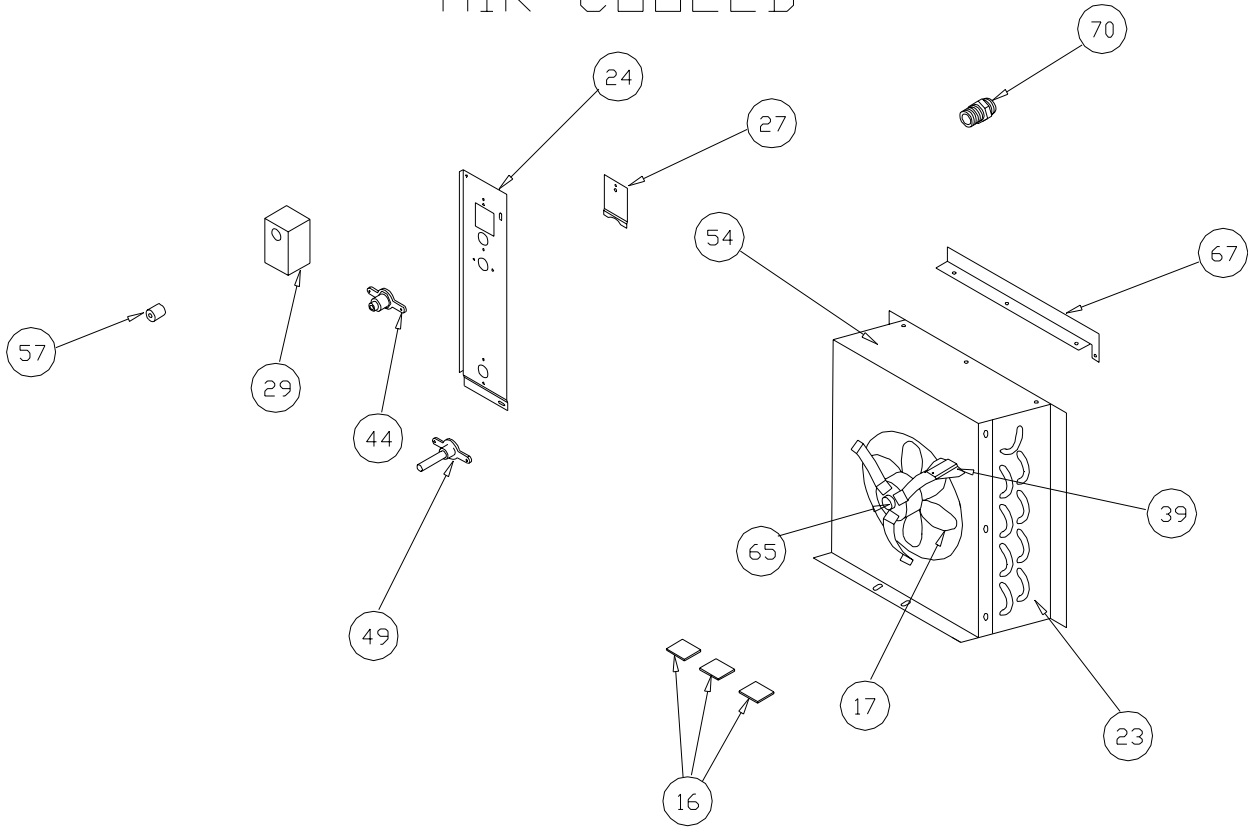
KEY #	DESCRIPTION	PART NUMBER		
		S2-A	S4-A	
50	Toggle switch	88917953	88917953	
51	Manual dump switch	9201097	9201097	
52	Control box cover	5005923	5003893	
53	Hot gas solenoid valve body	88295936	88295936	
55	Water pan support	5007116	5007116	
56	Curtain guide pin	88295931	88295931	
58	Compressor kit	115 Volt 60 Hz	5006016	5006018
		208/230 Volt 60Hz	5006609	5006019
		220/240 Volt 50Hz	5006017	5006020
59	Start capacitor TECUMSEH	115 Volt 60 Hz	N / A	5002813
	Start capacitor COPELAND	115 Volt 60 Hz	88378706	88368726
		208/230 Volt 60Hz	88378706	5000310
		220/240 Volt 50Hz	5000249	5000306
60	Top gasket	9200884	9200884	
61	Relay TECUMSEH	115 Volt 60 Hz	N / A	5002821
	Relay COPELAND	115 Volt 60 Hz	88368707	88295941
		208/230 Volt 60Hz	5000300	5000166
		220/240 Volt 50Hz	5000250	5000166
62	Contactor	115 Volt 60 Hz	88295942	88295942
		208/230 Volt 60Hz	88295947	88295947
		220/240 Volt 50Hz	88295947	88295947
63	Water pump	115 Volt 60 Hz	5004772	5004772
		208/230 Volt 60Hz	5004771	5004771
		220/240 Volt 50Hz	5004771	5004771
64	Hot gas solenoid coil	115 Volt 60 Hz	88295934	88295934
		208/230 Volt 60Hz	88296419	88296419
		220/240 Volt 50Hz	88296419	88296419

## S SERIES BASE PARTS LIST

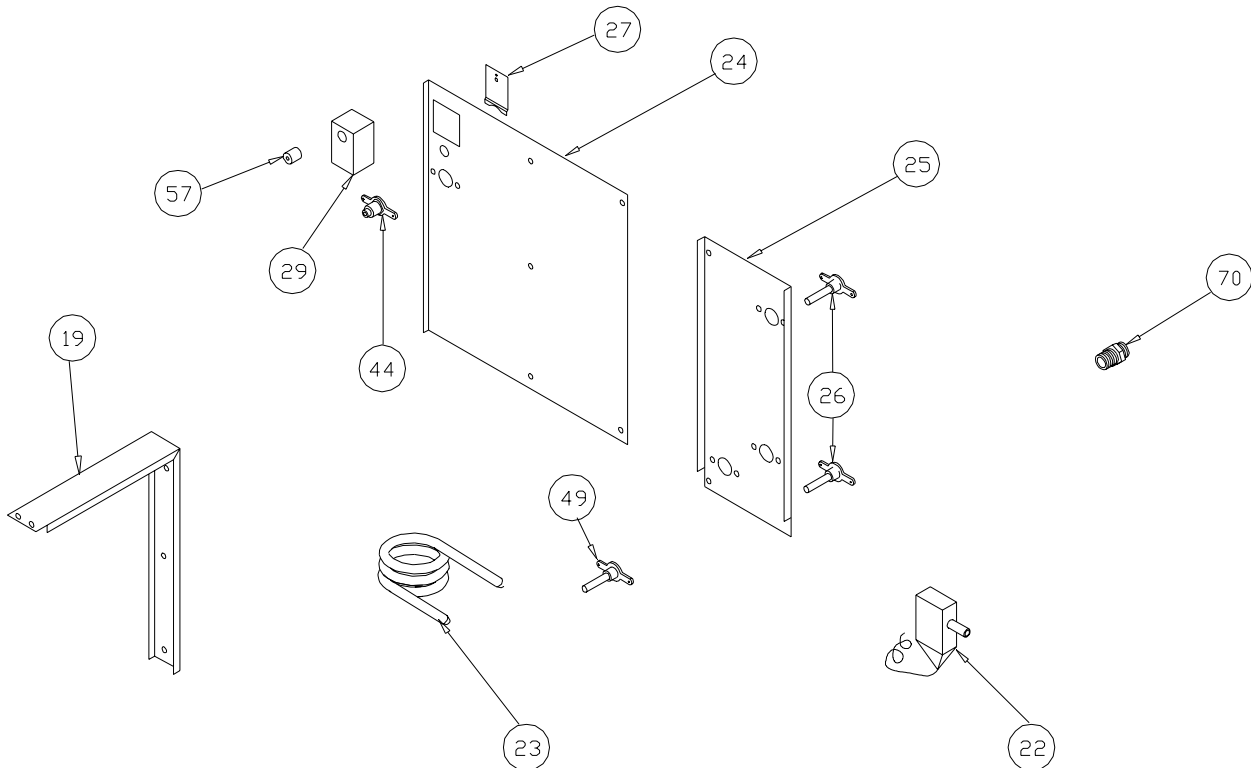
KEY #	DESCRIPTION	PART NUMBER	
		S2-A	S4-A
66	Water dump solenoid 115 Volt 60 Hz	5001204	5001204
	208/230 Volt 60Hz	9200506	9200506
	220/240 Volt 50Hz	9200506	9200506
68	Run capacitor COPELAND 115 Volt 60 Hz	N / A	N / A
	208/230 Volt 60Hz	N / A	N / A
	220/240 Volt 50Hz	5000304	N / A
69	Curtain guide pin spacer	5003962	5003962
71	Wire shield	5003884	5003884
72	Water pan support gasket	5003728	5003728
73	Curtain Stop	5004352	5004352
74	1/2" Truss Head Screw	O901008	O901008
75	Tube Water pan to pump	9200896	9200896
76	Tube Water pump to tee	9200897	5003230
78	Tube Tee to distributor tube	9200898	5003231
79	Tube Dump solenoid drain Air cool	9200900	9200900
	Water cool	5003233	5003233
---	Water pump impeller kit	March	5003809
		Hartell	5003399

S SERIES CONDENSER EXPLODED VIEW

AIR COOLED



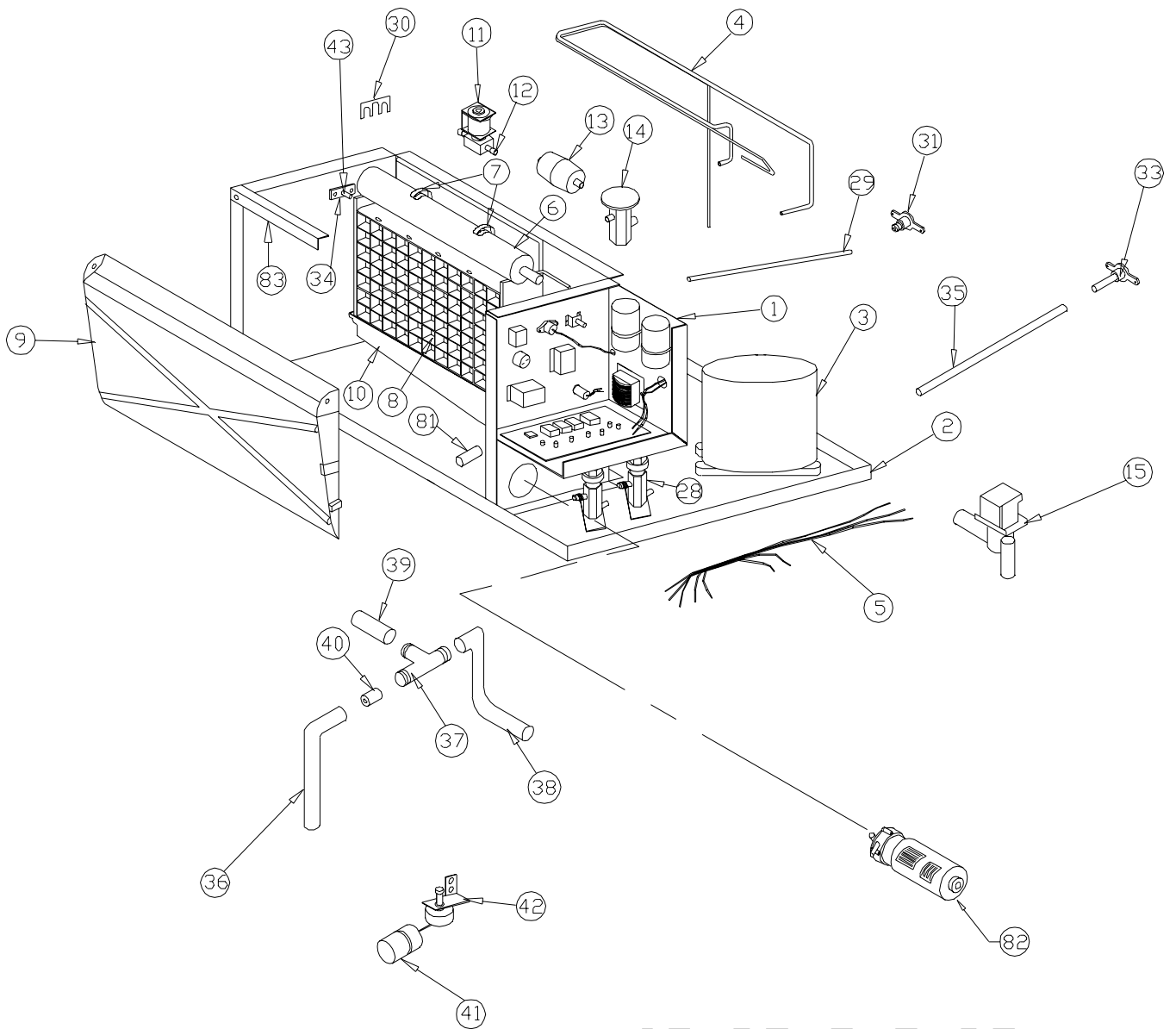
WATER COOLED



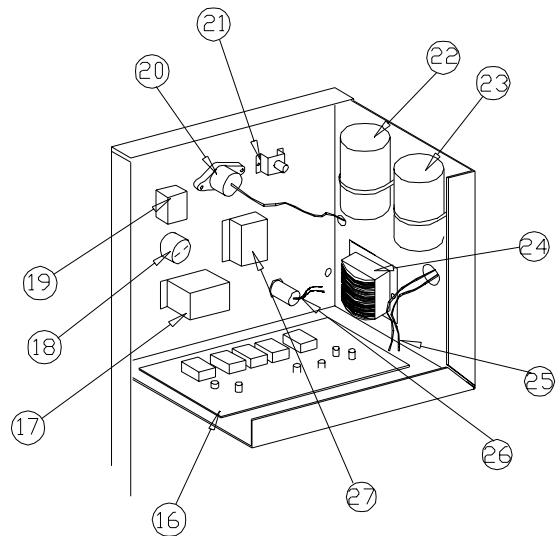
## S SERIES CONDENSER PARTS LIST

KEY #	DESCRIPTION	PART NUMBER	
		S2-A	S4-A
17	Fan blade Air	88292270	88292271
19	Support brace Water	5002381	5002384
22	Water regulator valve Water	88048125	88048125
23	Condenser Air	9200767	9200768
	Water	88296452	88296453
24	Rear panel Air	9200866	9200867
	Water	5002408	9200921
25	Water fitting panel Water	5002382	5002383
26	Condenser water fitting Water	88297642	88297642
27	Electric junction box cover	9200878	9200878
29	Electric junction box	1000501	1000501
39	Fan bracket Air	9201002	9201002
44	Inlet water fitting	9201026	9201026
46	High pressure cut out Water	5004941	5004941
49	Drain fitting	9200661	9200661
54	Fan shroud Air	5002390	5002391
57	Strain relief plug	1200301	1200301
65	Fan motor Air 115 Volt 60 Hz	88295993	88295994
	208/230 Volt 60Hz	88296001	5000340
	220/240 Volt 50Hz	88296001	88296002

C SERIES 30" PURGE VALVE BASE



COMPONENT BOX



## C SERIES 30" PURGE VALVE / CONTROL BOX PARTS LIST

KEY #	DESCRIPTION	PART NUMBER		
		C7-B	C9-B	
1	Enclosure assembly	N / A	N / A	
2	Bottom assembly	N / A	N / A	
3	Compressor kit Air/water	208/230 Volt 60Hz	5006021	5006416
		220/240 Volt 50Hz	5006023	<a href="#">5006414</a>
	Compressor kit Remote	208/230 Volt 60Hz	5006022	5006415
		220/240 Volt 50Hz	5006024	5006413
4	Tubing assembly	N / A	N / A	
5	Wiring harness	N / A	N / A	
6	Distributor tube	5006045	5006045	
7	Gripper clip	88294948	88294948	
8	Evaporator assembly	Mini	5005794	5005797
		Full	<a href="#">5005795</a>	<a href="#">5005798</a>
		Jumbo	5005793	5005796
9	Water curtain	9200989	9200990	
10	Water pan	<a href="#">5002463</a>	<a href="#">5002463</a>	
11	Hot gas solenoid coil	208/230 Volt 60Hz	88296419	88296419
		220/240 Volt 50Hz	88296419	88296419
12	Hot gas solenoid valve body	88295936	88296418	
13	Filter drier	<a href="#">88295938</a>	88296420	
14	Expansion valve	Air / water	88296862	<a href="#">88296863</a>
		Remote	<a href="#">5001390</a>	5001389
15	Water dump solenoid	208/230 Volt 60Hz	9200506	9200506
		220/240 Volt 50Hz	9200506	9200506
16	Circuit board	All voltages	5005030	5005030
17	Compressor relay TECUMSEH	208/230 Volt 60Hz	88296421	88296421
		220/240 Volt 50Hz	88296009	88296013

C SERIES 30" PURGE VALVE BASE / CONTROL BOX PARTS LIST

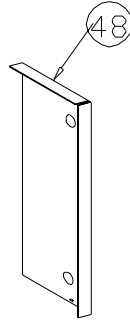
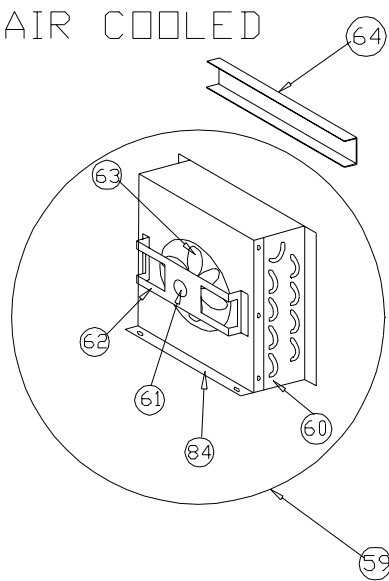
KEY #	DESCRIPTION	PART NUMBER	
		C7-B	C9-B
18	Manual water dump switch	9201097	9201097
19	Toggle switch	88917953	88917953
20	High pressure switch      Remote & water only	5004941	5004941
21	Curtain pin nut plate	9200639	9200639
22	Start capacitor TECUMSEH                      208/230 Volt 60Hz	88295933	88295933
		88296007	88296007
23	Run capacitor TECUMSEH                      208/230 Volt 60Hz	88295932	88296422
		88295932	88296422
24	Transformer                      All voltages	5000609	5000609
25	Thermistor kit	5005853	5005853
26	Curtain switch                      Hall	9200520	9200520
27	Contactor                      208/230 Volt 60Hz	88295947	88295947
		88295947	88295947
28	Service access valve	88295943	88295943
29	Tube                      Water supply	9200009	9200010
30	Curtain shim                      Full thickness	5001410	5001410
		5001413	5001413
31	Water inlet fitting	9201026	9201026
33	Water Drain fitting	9200661	9200661
34	Curtain guide pin bracket	88297693	88297693
35	Tube                      Dump solenoid to drain fitting	9200508	9200508
36	Tube                      Pump to tee	9200540	9200530
37	1/2 x 1/2 x 1/2 tee	9200507	9200507
38	Tube                      Tee to dump solenoid	9200519	9200541
39	Tube                      Tee to distribution tube	9200518	9200518

**C SERIES 30" PURGE VALVE BASE / CONTROL BOX PARTS LIST**

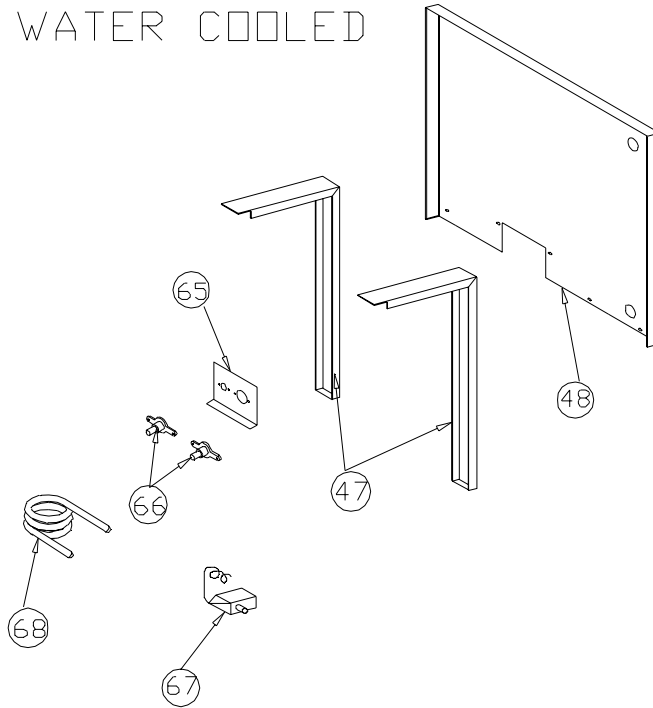
KEY #	DESCRIPTION	PART NUMBER		
		C7-B	C9-B	
40	Flow restrictor plug	9200591	9200591	
41	Float assembly	9200377	9200377	
42	Float bracket	88297691	88297691	
43	Curtain guide pin	88295931	88295931	
81	Tube Water pan to pump	9200695	9200695	
82	Water pump 208/230 Volt 60Hz	5004771	5004771	
	220/240 Volt 50Hz	5004771	5004771	
83	Horizontal brace	88294994	88294994	
---	Water pump impeller kit	March	5003809	5003809
		Hartell	5003399	5003399

C SERIES 30" PURGE VALVE CONDENSER EXPLODED VIEW

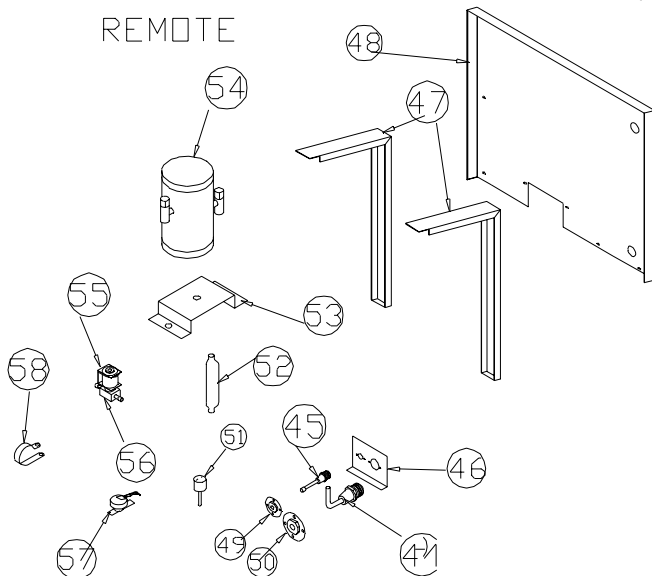
AIR COOLED



WATER COOLED



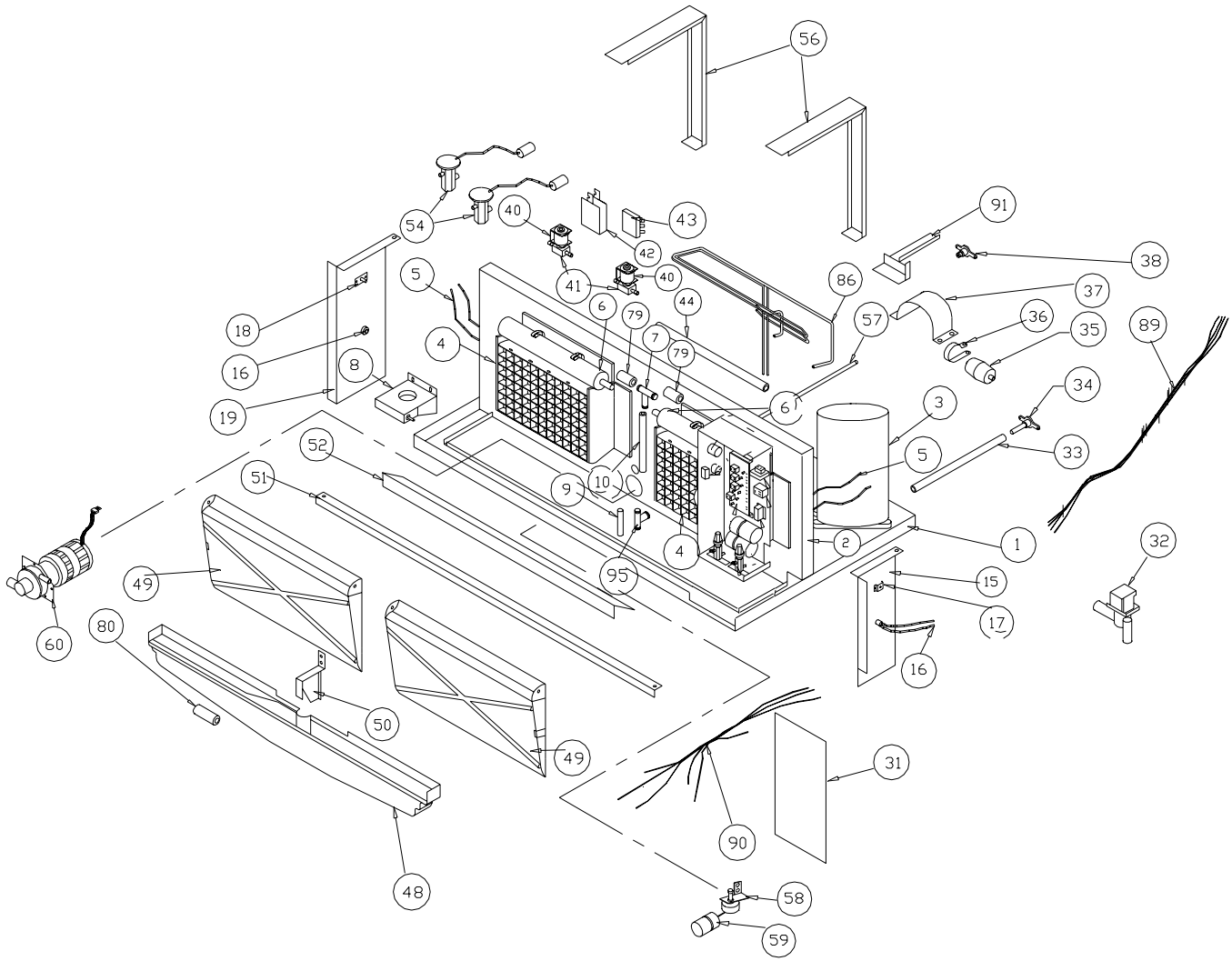
REMOTE



## C SERIES 30" PURGE VALVE CONDENSER PARTS LIST

KEY #	DESCRIPTION	PART NUMBER	
		C7-B	C9-B
44	Refrigerant outlet fitting Remote	5000052	5000052
45	Refrigerant inlet fitting Remote	5000053	5000053
46	Condenser line bracket Remote	5000044	5000044
47	Support bracket Water / Remote	88299743	88299744
48	Rear panel Air	88292965	88292977
	Water	9200509	9200525
	Remote	9200509	9200525
49	Line coupling bracket Remote	5000054	5000054
50	Outlet fitting bracket Remote	5000055	5000055
51	Low pressure control Remote	9201078	9201078
52	Check valve Remote	5000048	5000048
53	Receiver tank bracket Remote	5000045	5000045
54	Receiver tank Remote	5000049	5000049
55	Liquid line solenoid coil Remote 208/230 Volt 60Hz	88296419	88296419
	220/240 Volt 50Hz	88296419	88296419
56	Liquid line solenoid valve body Remote	5000086	5000086
57	High temperature safety (Therm-O-Disc) Remote	88296841	88296841
58	Drier bracket Remote	9200719	9200719
59	Condenser assembly Air	88294929	88296407
60	Condenser Air	88291187	88291188
61	Fan motor Air 208/230 Volt 60Hz	88294922	88295995
	220/240 Volt 50Hz	88296003	88296004
62	Fan motor bracket Air	88296461	88292895
63	Fan blade Air	88292272	88292273
65	Water line condenser bracket Water	88298808	88298808
66	Water fitting Water	88297642	88297642
67	Water regulator valve Water	88048125	88048125
68	Water condenser Water	88296454	88296455
84	Fan shroud Air	88292932	88292933

C SERIES 48" BASE / CONTROL BOX EXPLODED VIEW



ELECTRICAL BOX

## C SERIES 48" BASE / CONTROL BOX PARTS LIST

KEY #	DESCRIPTION	PART NUMBER
1	Base assembly	N / A
2	Enclosure assembly	N / A
3	Compressor	208/230 Volt 60Hz
		220/240 Volt 50Hz
4	Evaporator	Left or Right
		Mini
		Full
		Jumbo
5	Thermistor kit	5005853
6	Distribution tube	5006046
7	1/2 x 1/2 x 3/4 Tee	9201082
8	Center curtain pin assembly	9200689
9	Tube	Pump to tee
10	Tube	Tee to tee
16	Curtain switch	Hall
17	Curtain pin nut plate	9200639
18	Curtain pin guide plate	88297693
20	Start capacitor	208/230 Volt 60Hz
		220/240 Volt 50Hz
21	Run Capacitor	208/230 Volt 60Hz
		220/240 Volt 50Hz
22	Compressor relay	208/230 Volt 60Hz
		220/240 Volt 50Hz
23	Transformer	All voltages
24	Contactora	All voltages
25	Service access valve	88295943
26	Circuit board	All voltages
27	Toggle switch	88917953
28	Manual water dump switch	9201097
29	High pressure cut out	Water or Remote

## C SERIES 48" BASE / CONTROL BOX PARTS LIST

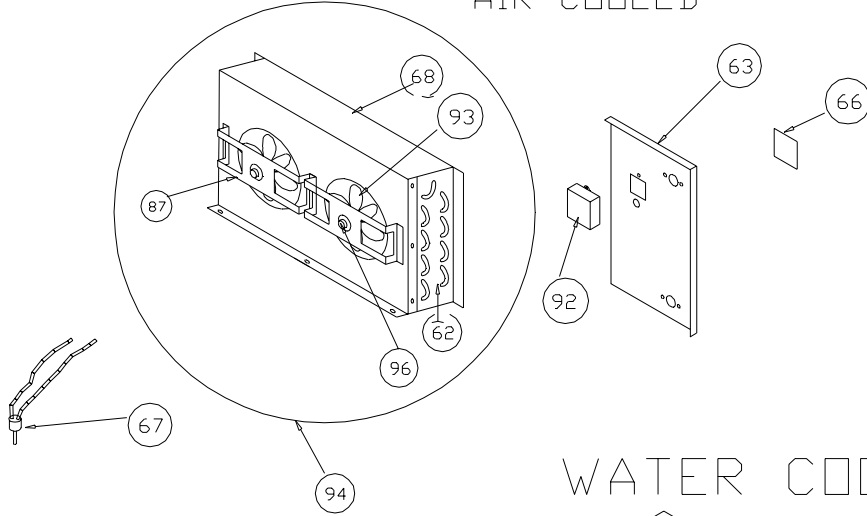
KEY #	DESCRIPTION	PART NUMBER
30	Control box	9200555
31	Control box cover	9200648
32	Water dump solenoid	9200506
33	Tube Solenoid to drain fitting	9200609
34	Drain fitting	9200661
35	Filter drier	5002036
36	Drier strap	9200719
37	Water pump shield	9200883
38	Inlet water fitting Plastic	9201026
	Metal	88298829
40	Hot gas solenoid coil All voltages	88296419
41	Hot gas solenoid valve coil	88295936
42	Terminal block cover	9200993
43	Terminal block	9200635
44	Tube Tee to dump solenoid	9200662
48	Water pan	9200725
49	Curtain assembly	9200644
50	Center water pan support bracket	9200757
51	Horizontal brace	9200568
52	ice deflector	9200545
54	Expansion valve Air or water	88296862
	Remote	5001390
55	Circuit board bracket	9200683
56	Support brace	9200578
57	Tube Water supply	9200605
58	Float bracket	88297691
59	Float assembly	9200377
60	Water pump All voltages	5004771
61	Water regulator valve Water	88048125

## C SERIES 48" BASE / CONTROL BOX PARTS LIST

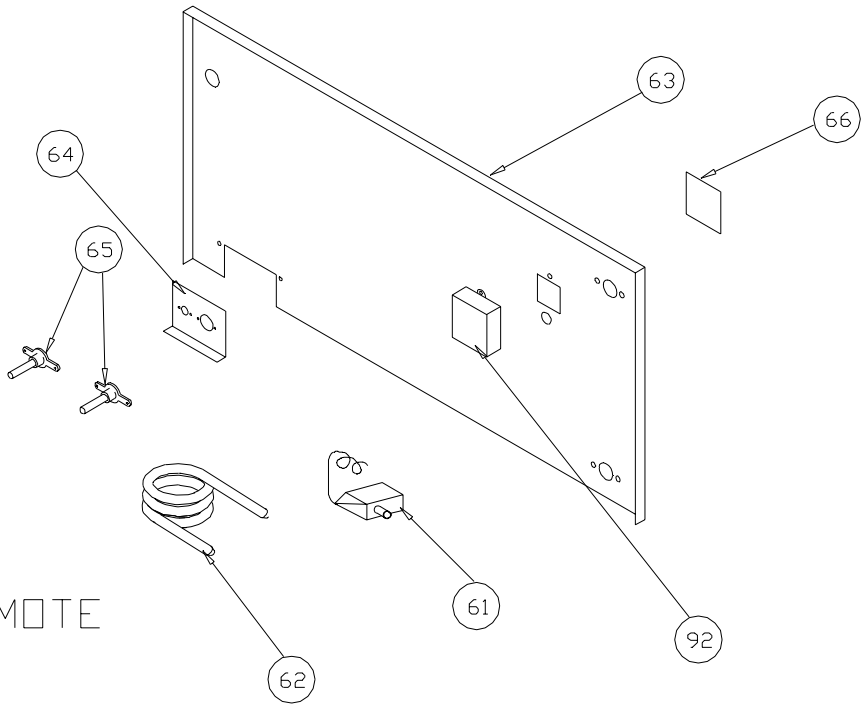
KEY #	DESCRIPTION	PART NUMBER
62	Condenser	Air 9200612
		Water 9200535
63	Rear panel	Water 9200691
		Remote 9200691
64	Condenser line bracket	Water 88298808
65	Water fitting	Water 88297642
66	Electric box cover	9200878
67	Fan cycle control	Air 5000056
77	Low pressure control	Remote 9201078
78	Liquid line solenoid valve body	Remote 5000086
79	Tube	Tee to distribution tube 9200603
80	Tube	Water pan to pump 9200600
86	Tubing assembly	N / A
89	Wiring harness	N / A
90	Wiring harness	N / A
91	Wire cover	9201080
95	3/4 x 3/4 x 3/4 Tee	9201083
---	Water pump impeller kit	March 5003809
		Hartell 5003399

### C SERIES 48" CONDENSER EXPLODED VIEW

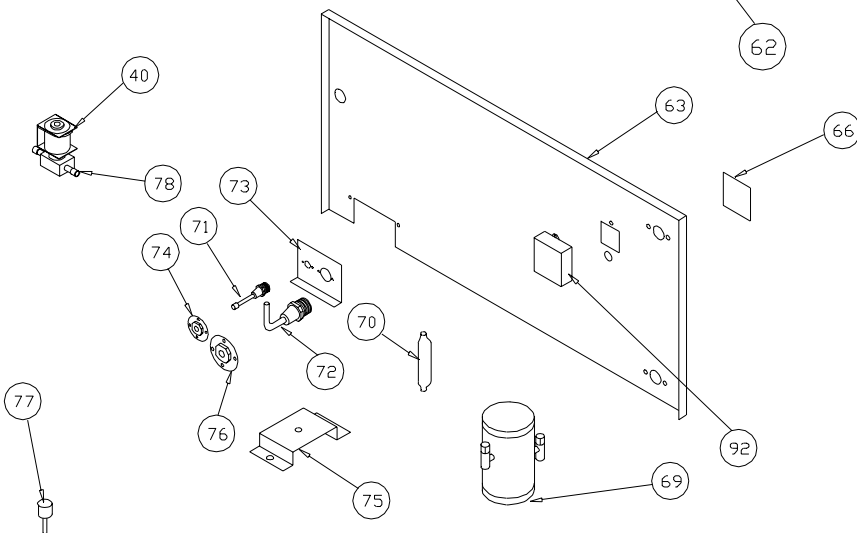
AIR COOLED



WATER COOLED



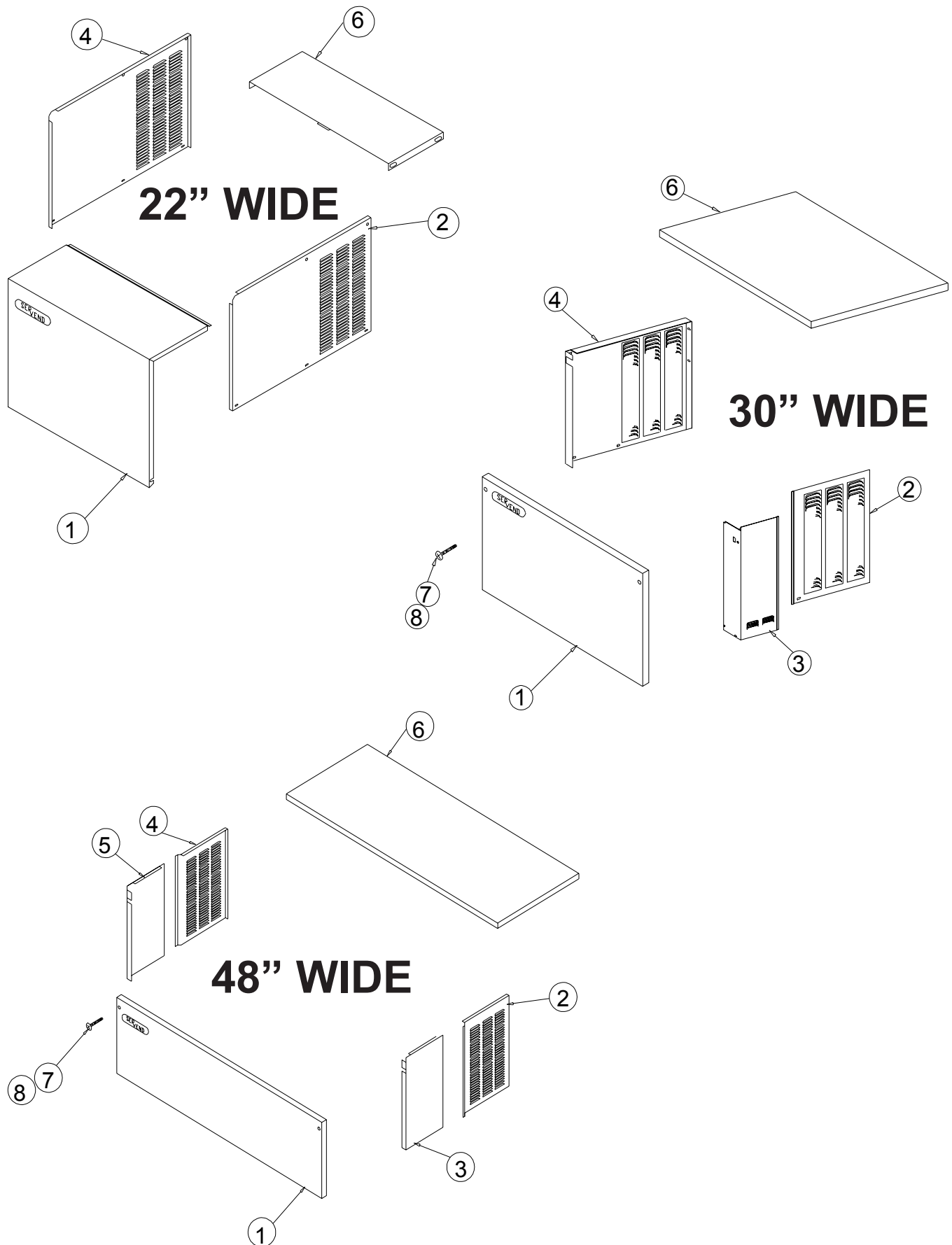
REMOTE



## C SERIES 48" CONDENSER PARTS LIST

KEY #	DESCRIPTION		PART NUMBER
61	Water regualtor valve	Water	<a href="#">88048125</a>
62	Condenser	Air	9200218
		Water	9200535
63	Rear panel	Air	9200692
		Water / Remote	9200691
64	Condenser line bracket	Water	88298808
65	Water fitting	Water	88297642
66	Electric junction box cover		9200878
67	Fan cycle control	Air	5000056
68	Fan shroud	Air	9200707
69	Receiver tank	Remote	5000049
70	Check valve	Remote	5000048
71	Refrigerant inlet fitting	Remote	<a href="#">5000053</a>
72	Refrigerant outlet fitting	Remote	5000052
73	Condenser line bracket	Remote	5000044
74	Bracket line coupling	Remote	5000054
75	Receiver tank bracket	Remote	5000045
76	Outlet bracket fitting	Remote	5000055
77	Low pressure control	Remote	9201078
78	Liquid line solenoid valve body	Remote	5000086
87	Fan bracket	Air	9200324
92	Electric junction box		9200690
93	Fan blade	Air	88292272
94	Condenser assembly	Air	9200612
96	Fan motor	Air208/230 Volt 60Hz	88294922
		220/240 Volt 50Hz	88296004

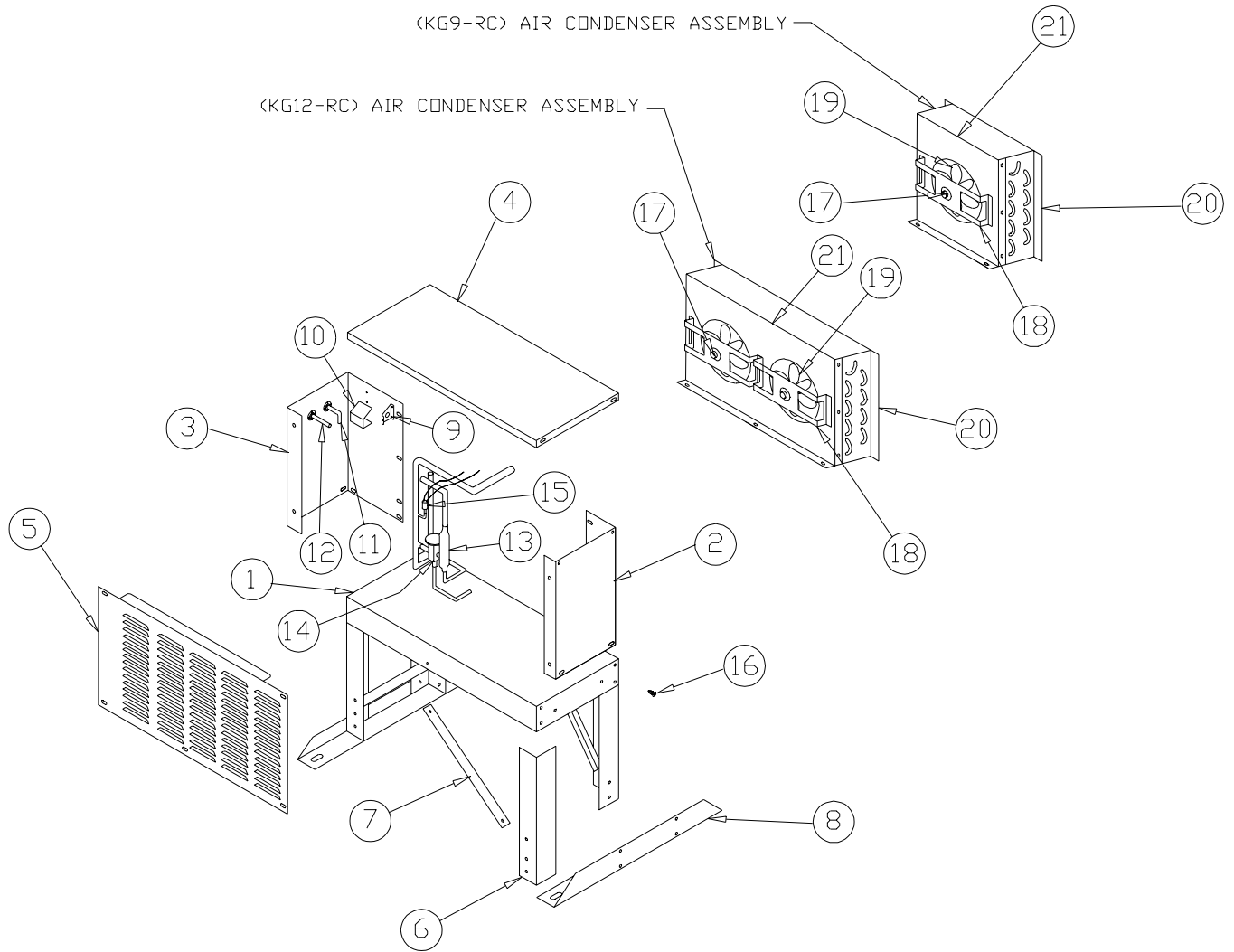
C AND S SERIES EXTERIOR PANELS EXPLODED VIEW



## C AND S SERIES EXTERIOR PANELS PARTS LIST

STAINLESS STEEL PANELS AVAILABLE ONLY							
KEY #	DESCRIPTION	PART NUMBER					
		S2	S4	C2	C4 / C7	C9	C12
1	Front panel	9200919	5002407	5000732	5000733	88297617	5001216
2	Louvered right panel	5002406	5002402	88298862	88298861	88298863	9200668
3	Solid right panel	N / A	N / A	5005923	88365113	88365111	9200666
4	Louvered left panel	5002404	5002400	88296429	88296435	88296440	9200669
5	Solid left panel	N / A	N / A	N / A	N / A	N / A	9200667
6	Top Panel	9200917	9200917	88296432	88296432	88296432	9200665
7	Stainless front panel screw	N / A	N / A	88130485	88130485	88130485	88130485
8	Brass front panel screw	N / A	N / A	88298871	88298871	88298871	88298871

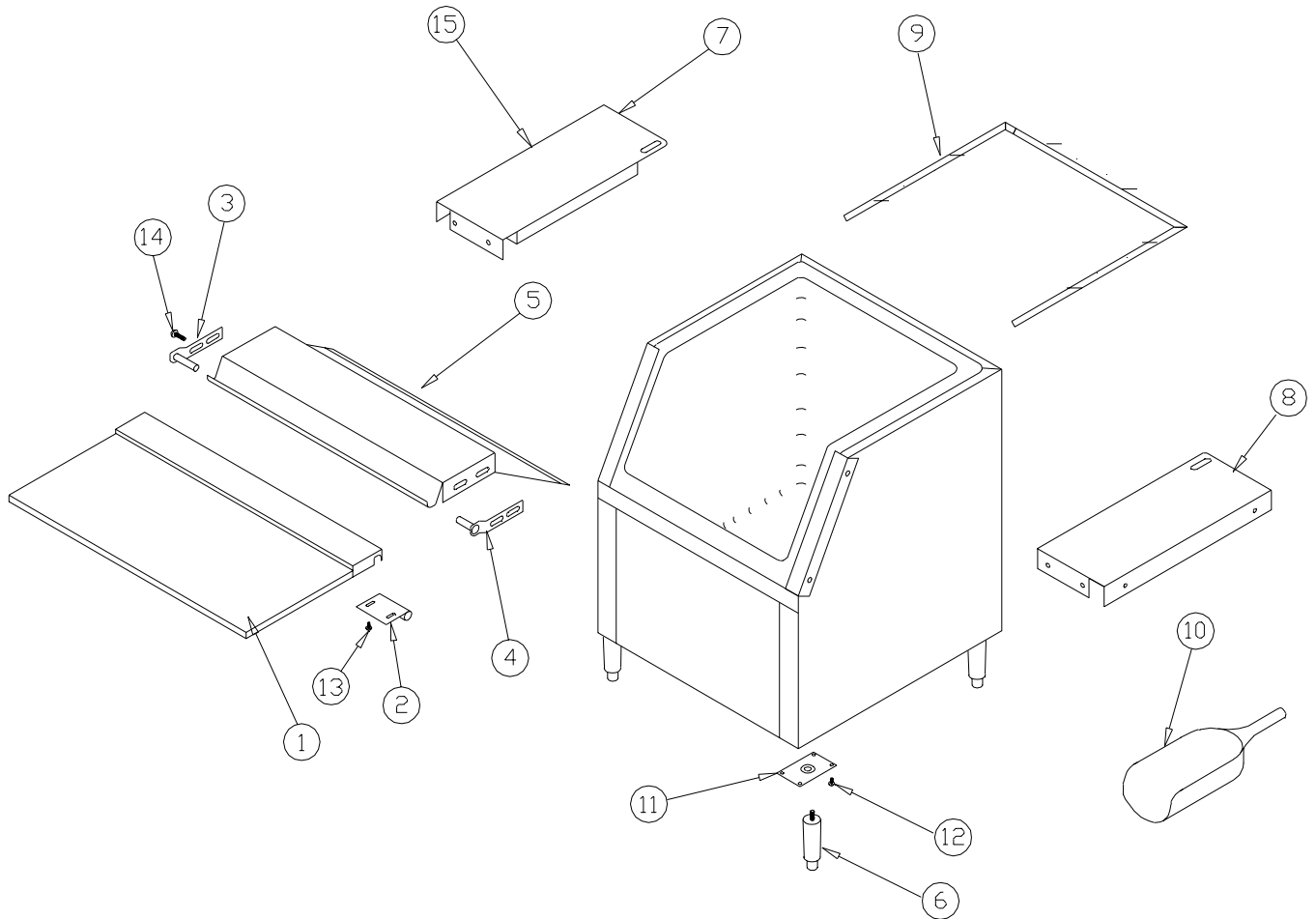
C SERIES REMOTE CONDENSER EXPLODED VIEW



## C SERIES REMOTE CONDENSER PARTS LIST

KEY #	DESCRIPTION	PART NUMBER	
		K9-RCA-A	K12-RCA-A
1	Base panel	5000035	9200772
2	Side panel Right	5000036	9200775
3	Side panel Left	5000037	9200774
4	Top panel	5000042	9200773
5	Back louvered panel	5000043	9200776
6	Leg bracket	5000040	5000040
7	Leg support	5000041	5000041
8	Leg gusset	5000046	5000046
9	Electric box side	5000038	9200771
10	Electric box cover	5000039	5000039
11	Refrigerant fitting outlet	5000052	5000052
12	Refrigerant fitting inlet	5000053	5000053
13	Stub kit	5001368	5001368
14	Check valve	5000048	5000048
15	Head pressure control valve	5000051	5000051
16	Fan cycle control	5000056	5000056
17	Fan bracket	88292895	9200780
18	Fan motor 208/230 Volt 60Hz	88295995	88295995
	Fan motor 220/240 Volt 50Hz	88296004	88296004
19	Fan blade	88292273	88292272
20	Condenser	88291188	9200218
21	#10 Zip screw	O901405	O901405

ICE STORAGE BIN EXPLODED VIEW



## ICE STORAGE BIN PARTS LIST

KEY #	DESCRIPTION	PART NUMBER				
		B-2	B-3	B-4	B-6	B-10
1	Door	88295917	9200870	88369920	88365100	88295974
2	Door hinge	88296469	N / A	88296469	88296469	88296469
3	Bin hinge Right	88292876	88292876	88292876	88292876	88292876
4	Bin hinge Left	88292875	88292875	88292875	88292875	88292875
5	Header panel	88292874	5001908	88369906	88299799	88296893
6	Leg set	88295922	88295922	88295922	88295922	88295922
7	Adaptor plate (K10) Left	N / A	N / A	N / A	N / A	88296462
8	Adaptor plate(K10)Right	N / A	N / A	N / A	N / A	88296463
9	Bin gasket	88285602	88285602	88285602	88285602	88285602
		6.5 ft.	5.5 ft.	6.5 ft.	6.5 ft.	8.0 ft.
10	Ice scoop	88294924	88294924	88294924	88294924	88294924
11	Leg plate	88915877	88915877	88915877	88915877	88915877
12	1/2 #10 Tek screw	O901305	O901305	O901305	O901305	O901305
13	3/8 #8 screw	88070096	N / A	88070096	88070096	88070096
14	1/2 #10-32 screw	88297696	88297696	88297696	88297696	88297696
15	Bin top K30-AP kit	5002227	N / A	5002227	5002227	N / A