

# COUNTER ELECTRIC CED GEN II



**Servend**

## EXPLODED VIEWS



### Manitowoc Beverage Equipment

2100 Future Drive Sellersburg, IN 47172-1868  
Tel: 812.246.7000, 800.367.4233 • Fax: 812.246.9922  
[www.manitowocbeverage.com](http://www.manitowocbeverage.com)

In accordance with our policy of continuous product development and improvement, this information is subject to change at any time without notice.

Revision June 02, 2003



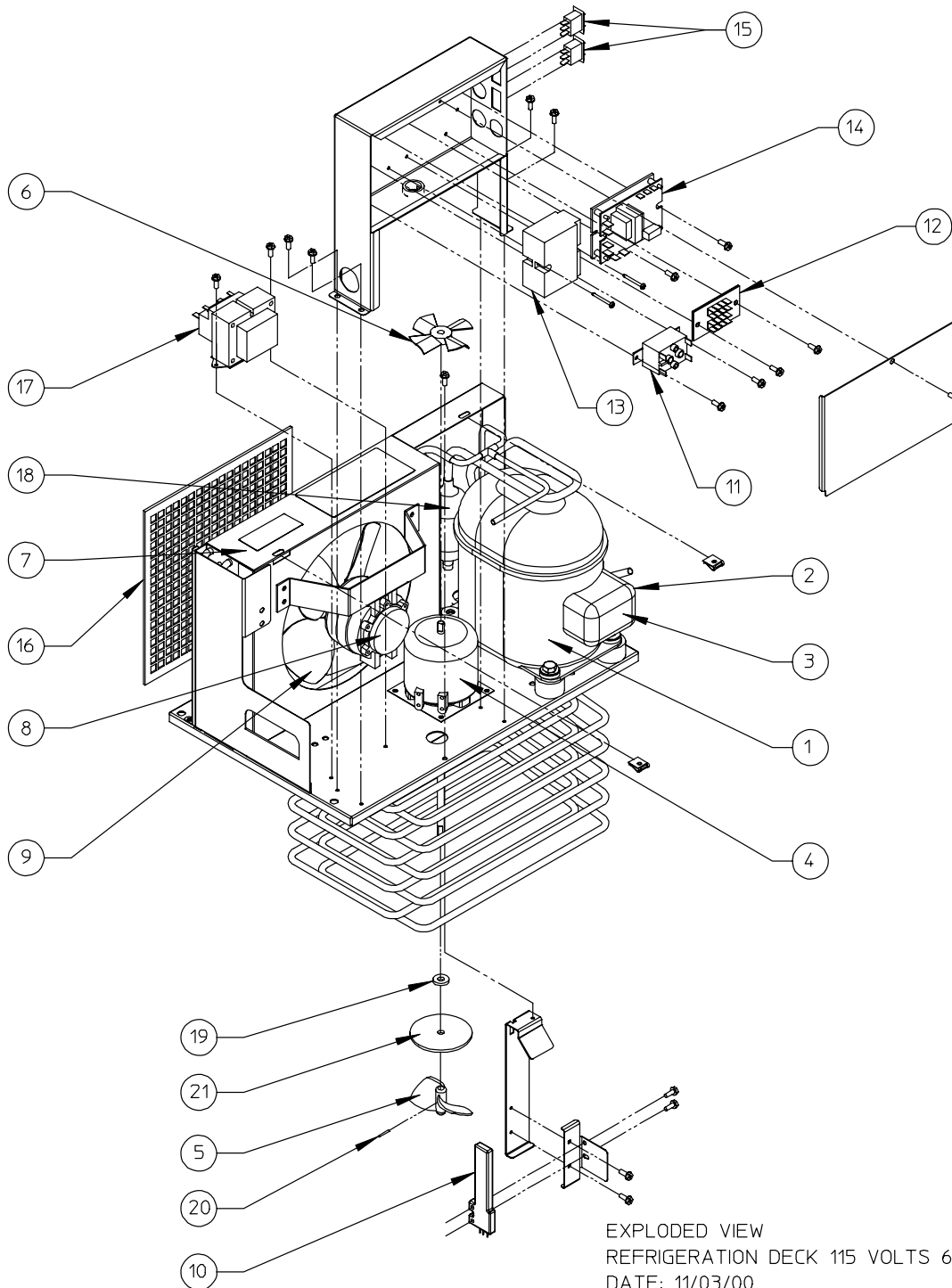


## TABLE OF CONTENTS

<b>GEN II INTERNAL CARBONATION 115 VOLT/ 60 HERTZ .....</b>	<b>4</b>
<b>115 VOLT/ 60 HERTZ GEN II PARTS LIST .....</b>	<b>5</b>
<b>GEN II INTERNAL CARBONATION 220\240 VOLT 50 HERTZ .....</b>	<b>6</b>
<b>220\240 VOLT 50 HERTZ GEN II PARTS LIST .....</b>	<b>7</b>
<b>GEN II POST-MIX 115 VOLT/ 60 HERTZ VOLT 50 HERTZ .....</b>	<b>8</b>
<b>115 VOLT/ 60 HERTZ GEN II PARTS LIST .....</b>	<b>10</b>
<b>EXTERNAL CARBONATION .....</b>	<b>10</b>
<b>INTERNAL CARBONATION .....</b>	<b>11</b>
<b>GEN II POST-MIX 220\240 VOLT 50 HERTZ .....</b>	<b>12</b>
<b>220-240 VOLT/ 50 HERTZ GEN II PARTS LIST .....</b>	<b>14</b>
<b>EXTERNAL CARBONATION .....</b>	<b>14</b>
<b>INTERNAL CARBONATION .....</b>	<b>15</b>
<b>GEN II POST-MIX 208/230 VOLT/ 60 HERTZ .....</b>	<b>16</b>
<b>208/230 VOLT/ 60 HERTZ GEN II PARTS LIST .....</b>	<b>18</b>
<b>EXTERNAL CARBONATION .....</b>	<b>18</b>
<b>INTERNAL CARBONATION .....</b>	<b>19</b>
<b>GEN II INTERNAL CARBONATION 208\230 VOLT 60 HERTZ .....</b>	<b>20</b>
<b>208\230 VOLT 60 HERTZ GEN II PARTS LIST .....</b>	<b>21</b>
<b>GEN II EXTERNAL CARBONATON 115 VOLT 60 HERTZ .....</b>	<b>22</b>
<b>115 VOLT 60 HERTZ GEN II PARTS LIST .....</b>	<b>23</b>
<b>GEN II EXTERNAL CARBONATION 208/230 VOLTS 60 HERTZ .....</b>	<b>24</b>
<b>208/230 VOLTS 60 HERTZ GEN II PARTS LIST .....</b>	<b>25</b>
<b>GEN II INTERNAL CARBONATION 220\240 VOLT 50 HERTZ CE .....</b>	<b>26</b>
<b>220\240 VOLT 50 HERTZ CE GEN II PARTS LIST .....</b>	<b>27</b>
<b>GEN II EXTERNAL CARBONATION 220\240 VOLT 50 HERTZ CE .....</b>	<b>28</b>
<b>220\240 VOLT 50 HERTZ CE GEN II PARTS LIST .....</b>	<b>29</b>

# GEN II INTERNAL CARBONATION 115 VOLT/ 60 HERTZ

## GEN II (INTERNAL CARBONATION)



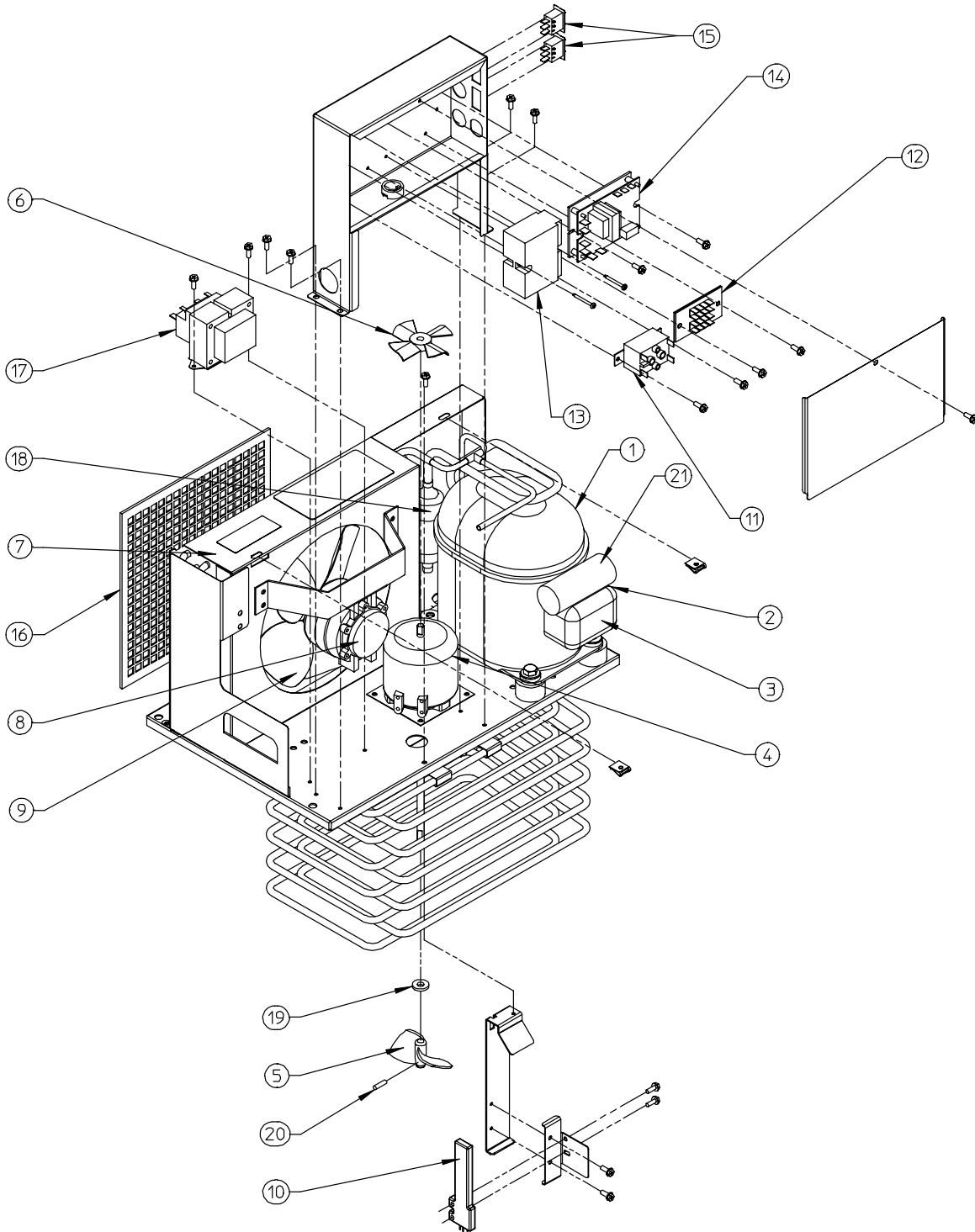
EXPLODED VIEW  
REFRIGERATION DECK 115 VOLTS 60 HERTZ  
DATE: 11/03/00  
DWG#: 5010735-1  
REVISED DATE: 04/05/01

## 115 VOLT/ 60 HERTZ GEN II PARTS LIST

ITEM	CED-30	CED-40	DESCRIPTION
NUMBER	PART NUMBER	PART NUMBER	
1	5009192	5009192	COMPRESSOR 115V/60HZ
2	5009197	5009197	COMPRESSOR START RELAY
3	5010682	5010682	COMPRESSOR OVERLOAD
4	00218968	00218968	AGITATION MOTOR
5	00751210	00751210	IMPELLER (AGITATION MOTOR)
6	M2416323	M2416323	COOLING FAN BLADE (AGITATION MOTOR)
7	5009195	5009199	AIR CONDENSER
8	5009187	5009187	CONDENSER FAN MOTOR
9	5009188	5009188	FAN BLADE
10	5009096	5009096	ICE BANK PROBE
11	5009194	5009194	REFRIGERATION SYSTEM RELAY
12	5010691	5010691	TERMINAL BOARD
13	M2351353	M2351353	ICE BANK CONTROL
14	5009770	5009770	LIQUID LEVEL CIRCUIT BOARD
15	5009184	5009184	ROCKER SWITCH
16	5009191	5009198	CONDENSER FILTER
17	5008229	5008229	TRANSFORMER 115V/60HZ
18	5009196	5009196	DRIER
19	00377102	00377102	WATER SLINGER WASHER
20	5010761	5010761	ROLL PIN 3/32 X 9/16
21	00219398	00219398	ANTI-VORTEXING WASHER

# GEN II INTERNAL CARBONATION 220\240 VOLT 50 HERTZ

## GEN II (INTERNAL CARBONATION)



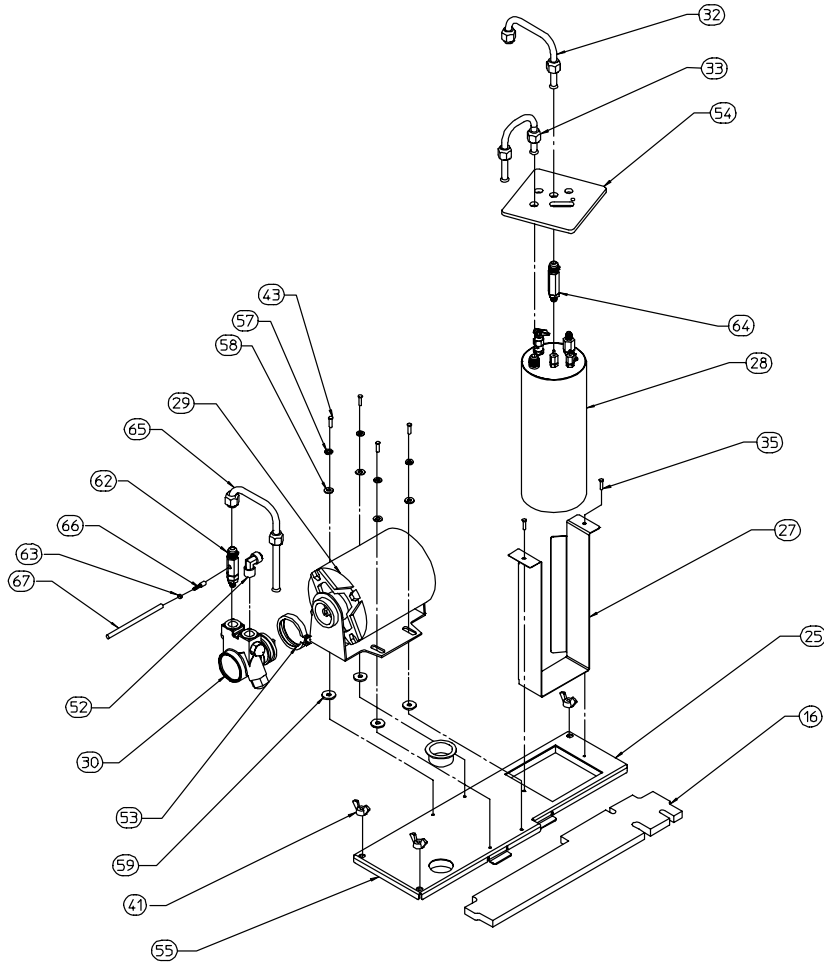
EXPLODED VIEW  
REFRIGERATION DECK 220-240 VOLTS 50 HERTZ  
MAJOR CHANGE CODE (02)  
DATE: 11.4.2000  
DWG#: 5010755-0

## 220\240 VOLT 50 HERTZ GEN II PARTS LIST

ITEM NUMBER	CED-30 PART NUMBER	DESCRIPTION
1	5025108	COMPRESSOR 220-240V/ 50HZ
2	5025107	COMPRESSOR START RELAY 50HZ
3	5025106	COMPRESSOR OVERLOAD 50HZ
4	5025104	AGITATION MOTOR 220-240V/ 50HZ
5	00751210	IMPELLER (AGITATION MOTOR)
6	M2416323	COOLING FAN BLADE (AGITATION MOTOR)
7	5009199	AIR CONDENSER
8	5025100	CONDENSER FAN MOTOR 220-240V/ 50HZ
9	5025103	FAN BLADE 50HZ
10	5009096	ICE BANK PROBE
11	5010830	REFRIGERATION SYSTEM RELAY 220-240V/ 50HZ
12	5010691	TERMINAL BOARD 50HZ & 60HZ
13	00219017	ICE BANK CONTROL 220-240V/ 50HZ
14	5010648	LIQUID LEVEL CIRCUIT BOARD 220-240V/ 50HZ
15	5009184	ROCKER SWITCH
16	5009198	CONDENSER FILTER
17	5007111	TRANSFORMER 220-240V/ 50HZ
18	5009196	DRIER
19	00377102	WATER SLINGER WASHER
20	5010761	ROLL PIN 3/32 X 9/16
21	5025388	START CAPACITOR (53-64MF\50HZ)



# GEN II POST-MIX 115 VOLT/ 60 HERTZ VOLT 50 HERTZ



INTERNAL CARBONATION OPTION  
W/ WATTS VENTED CHECK VALVE

EXPLODED VIEW  
COUNTERTOP ELECTRIC 115 VOLT/60 Hz  
POSTMIX BEVERAGE DISPENSER  
MAJOR CHANGE CODE: (04)  
DATE: 12/7/2000  
DWG#: 5010924-2  
REV. DATE: 6/20/2001  
PAGE 2 OF 2

## 115 VOLT/ 60 HERTZ GEN II PARTS LIST

### EXTERNAL CARBONATION

ITEM	CED-30	CED-40	DESCRIPTION
NUMBER	PART NUMBER	PART NUMBER	
1	5008826	5008827	TUB ASSEMBLY
2	5010436	5010437	BASE WRAP
3	5010053	5009717	BASE PLATE
4	5009661	5009661	LEFT SIDE PANEL
5	5011836	5011837	REAR PANEL
6	5008501	5008502	FOAM FRONT
7	5009662	5009662	RIGHT SIDE PANEL
8	5010440	5010441	DRAINPAN
9	5009619	5009618	WIRE GRID
10	5008503	5008504	VALVE MOUNT CAP
11	5010047	5009718	SPLASH PANEL
12	5009476	5009477	INCOMING TUBING BRACKET
13	5010051	5010051	OVERFLOW TUBE BRACKET
14	7060011	7060011	SPLASH PANEL CLIPS
15	5010187	5010188	FRONT DECK
16	5009937	5009938	BEVERAGE LINES GASKET
17	5010156	5010157	REFRIGERATION DECK (INTERNAL CARB.)
	5010877	5010878	REFRIGERATION DECK (EXTERNAL CARB.)
18	5009644	5009644	SYRUP COIL
19	5010627	5010628	MANIFOLD ASSEMBLY
20	5009645	5009645	NON-CARB WATER COIL
21	5010303	5010303	CARBONATOR WATER COIL
22	5009643	5009671	BEVERAGE LINE BRACE
23	5009642	5009642	BEVERAGE LINE BRACE BRACKETS
24	5008926	5008927	BONNET
26	5009657	5009657	PLAIN WATER FITTING
34	0101011	0101011	LEG (OPTIONAL)
35	5000973	5000973	SCREW 8-32 X 1/2" ROUND PHILIPS TYPE F
37	5009972	5009972	TUB DRAIN FITTING
38	0901001	0901001	SCREW #8 X 1/2" SS (SHEETMETAL)
39	1002201	1002201	KEYSWITCH
40	0900240	0900240	TINNERMAN CLIP
41	5009966	5009966	WING NUT

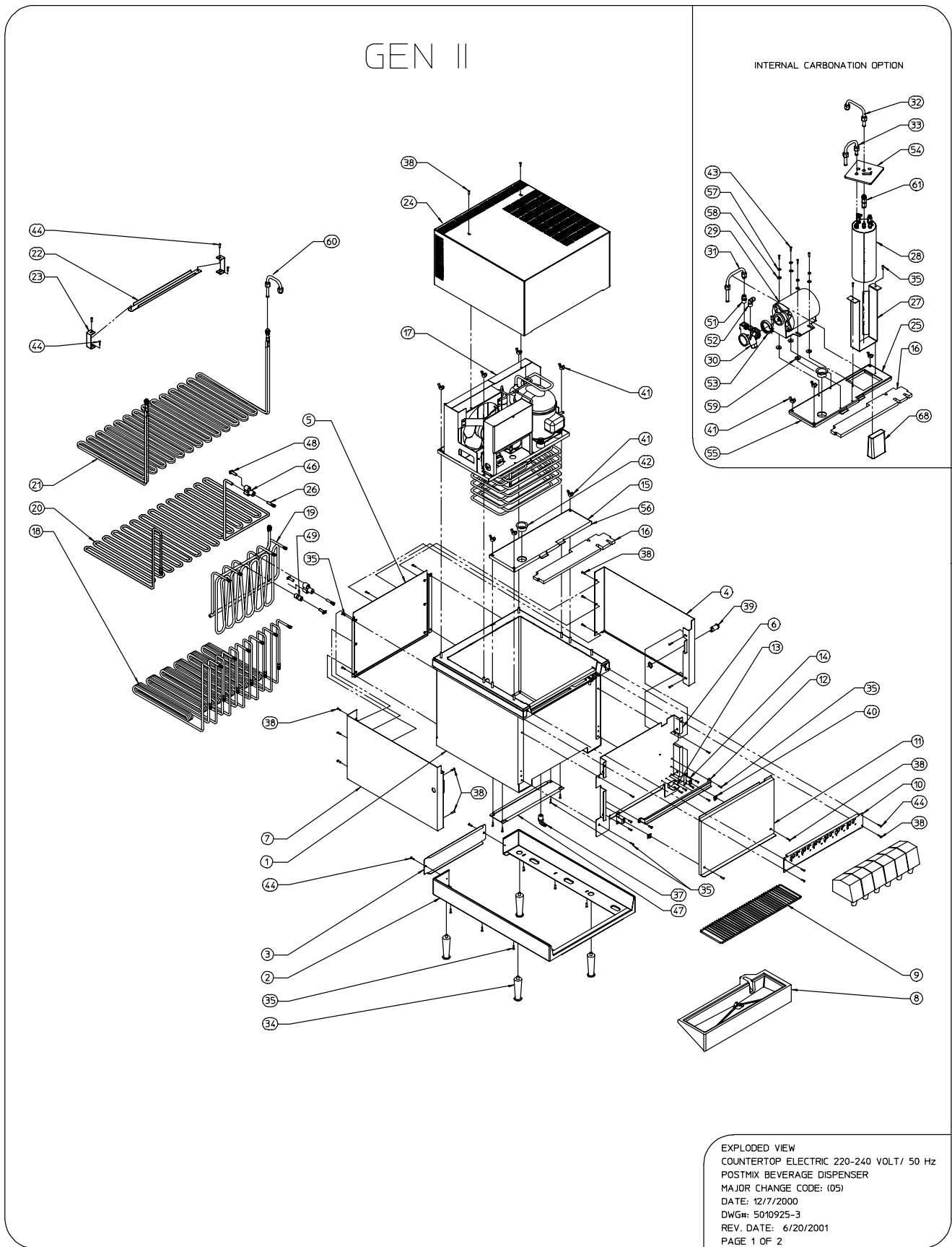
## 115 VOLT/ 60 HERTZ GEN II PARTS LIST

42	5008805	5008805	FILL HOLE PLUG
43	0901014	0901014	10-32X5/8 SLOTTED HEXHEAD MACHINE SCREW
46	5009948	5009948	DIVIDER 5/16" X 5/16" 2 WAY
47	5010050	5009716	TUBING BRACE
48	5009949	5009949	PLUG 5/16"
49	5009946	5009946	5/16" TO 5/16" UNION
56	5010189	5010190	EXTERNAL CARBONATION FRONT DECK GASKET
60	5010770	5010770	TUBE WATER COIL TO MANIFOLD
68	5010311	N/A	BEVERAGE CONVERSION KIT

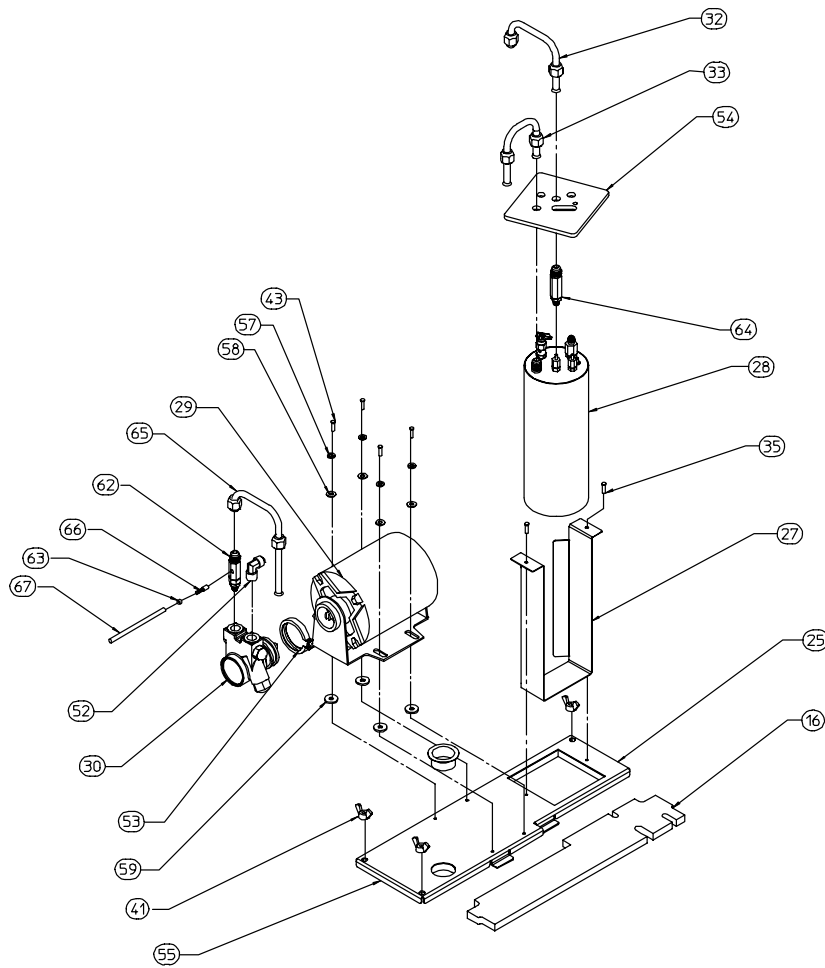
### INTERNAL CARBONATION

ITEM	CED-30	CED-40	DESCRIPTION
NUMBER	PART NUMBER	PART NUMBER	
25	5009785	5009784	INTERNAL CARBONATION PUMP DECK
27	5009775	5009775	CARBONATOR TANK BRACKET
28	5010446	5010446	CARBONATOR TANK
29	5010426	5010426	CARBONATOR PUMP MOTOR
30	5009613	5009613	CARBONATOR PUMP HEAD
31	5010304	5010304	TUBE, CARBONATOR PUMP TO COIL
32	5010305	5010305	TUBE, WATER COILS TO CARBONATOR TANK
33	5010625	5010625	TUBE, CARBONATOR TANK TO COIL
51	5009984	5009984	CARBONATOR PUMP OUTLET FITTING
52	5009983	5009983	CARBONATOR PUMP INLET FITTING
53	5009036	5009036	PUMP HEAD CLAMP
54	5010502	5010502	CARBONATOR TANK GASKET
55	5009941	5009940	INTERNAL CARBONATION PUMP DECK GASKET
57	0901904	0901904	1/4" LOCK WASHER SS
58	0901805	0901805	1/4" FLAT WASHER SS
59	5010841	5010841	RUBBER WASHER 13/16"
61	5010380	5010380	CHUDNOW DOUBLE CHECK VALVE 0.128 ORIFICE
62	5011070	5011070	WATTS VENTED CHECK VALVE 3/8" NPT
63	5009859	5009859	CLAMP OTR 13/32"
64	5011094	5011094	1/8" NPT X 3/8" FLARE CHUDNOW FITTING 0.128 ORIFICE
65	5011073	5011073	TUBE S.S. FOR USE W/ WATTS CHECK VALVE
66	5011068	5011068	FITTING 1/8" MALE NPT X 1/4" HOSE BARB S.S.
67	1200402	1200402	1/4" TUBING

# GEN II POST-MIX 220\240 VOLT 50 HERTZ



# GEN II POST-MIX 220\240 VOLT 50 HERTZ



INTERNAL CARBONATION OPTION  
W/ WATTS VENTED CHECK VALVE

EXPLODED VIEW  
COUNTERTOP ELECTRIC 220-240 VOLT/50 Hz  
POSTMIX BEVERAGE DISPENSER  
MAJOR CHANGE CODE: (05)  
DATE: 12/7/2000  
DWG#: 5010925-3  
REV. DATE: 6/20/2001  
PAGE 2 OF 2

## 220-240 VOLT/ 50 HERTZ GEN II PARTS LIST

### EXTERNAL CARBONATION

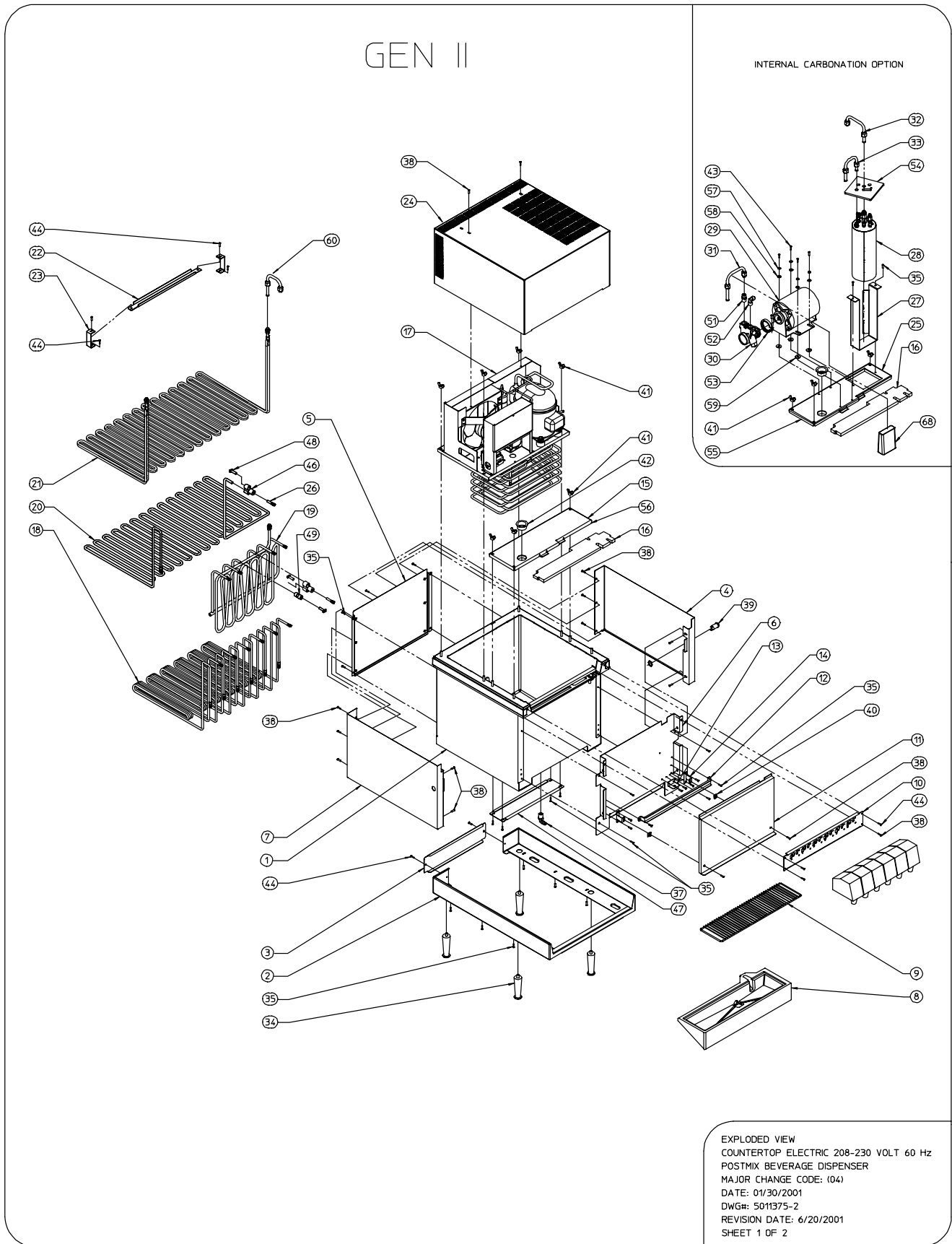
ITEM	CED-30	CED-40	DESCRIPTION
NUMBER	PART NUMBER	PART NUMBER	
1	5008826	5008827	TUB ASSEMBLY
2	5010436	5010437	BASE WRAP
3	5010053	5009717	BASE PLATE
4	5009661	5009661	LEFT SIDE PANEL
5	5011836	5011837	REAR PANEL
6	5008501	5008502	FOAM FRONT
7	5009662	5009662	RIGHT SIDE PANEL
8	5010440	5010441	DRAINPAN
9	5009619	5009618	WIRE GRID
10	5011263	N/A	VALVE MOUNT CAP 5 VALVE
	5008503	5011489	VALVE MOUNT CAP 6 VALVE
	N/A	5008504	VALVE MOUNT CAP 8 VALVE
11	5010047	5009718	SPLASH PANEL
12	5009476	5009477	INCOMING TUBING BRACKET
13	5010051	5010051	OVERFLOW TUBE BRACKET
14	7060011	7060011	SPLASH PANEL CLIPS
15	5010187	5010188	FRONT DECK
16	5009937	5009938	BEVERAGE LINES GASKET
17	5010529	5011819	REFRIGERATION DECK (INTERNAL CARB)
	5010879	5011821	REFRIGERATION DECK (EXTERNAL CARB)
18	5009644	5009644	SYRUP COIL
19	5010627	5010628	MANIFOLD ASSEMBLY
20	5009645	5009645	NON-CARB WATER COIL
21	5010303	5010303	CARBONATOR WATER COIL
22	5009643	5009671	BEVERAGE LINE BRACE
23	5009642	5009642	BEVERAGE LINE BRACE BRACKETS
24	5010421	5011528	BONNET
26	5009657	5009657	PLAIN WATER FITTING
34	0101011	0101011	LEG (OPTIONAL)
35	5000973	5000973	SCREW 8-32 X 1/2" ROUND PHILIPS TYPE F
37	5009972	5009972	TUB DRAIN FITTING
38	0901001	0901001	SCREW #8 X 1/2" SS (SHEETMETAL)
39	1002201	1002201	KEYSWITCH
40	0900240	0900240	TINNERMAN CLIP

41	5009966	5009966	WING NUT
42	5008805	5008805	FILL HOLE PLUG
44	5011940	5011940	SCREW 8-32 X 1/4" SS PHILIPS TRUSS
46	5009948	5009948	DIVIDER 5/16" X 5/16" 2 WAY
47	5010050	5009716	TUBING BRACE
48	5009949	5009949	PLUG 5/16"
49	5009946	5009946	5/16" TO 5/16" UNION
56	5010189	5010190	EXTERNAL CARBONATION FRONT DECK GASKET
60	5010770	5010770	TUBE WATER COIL TO MANIFOLD
68	5010311	N/A	BEVERAGE CONVERSION KIT

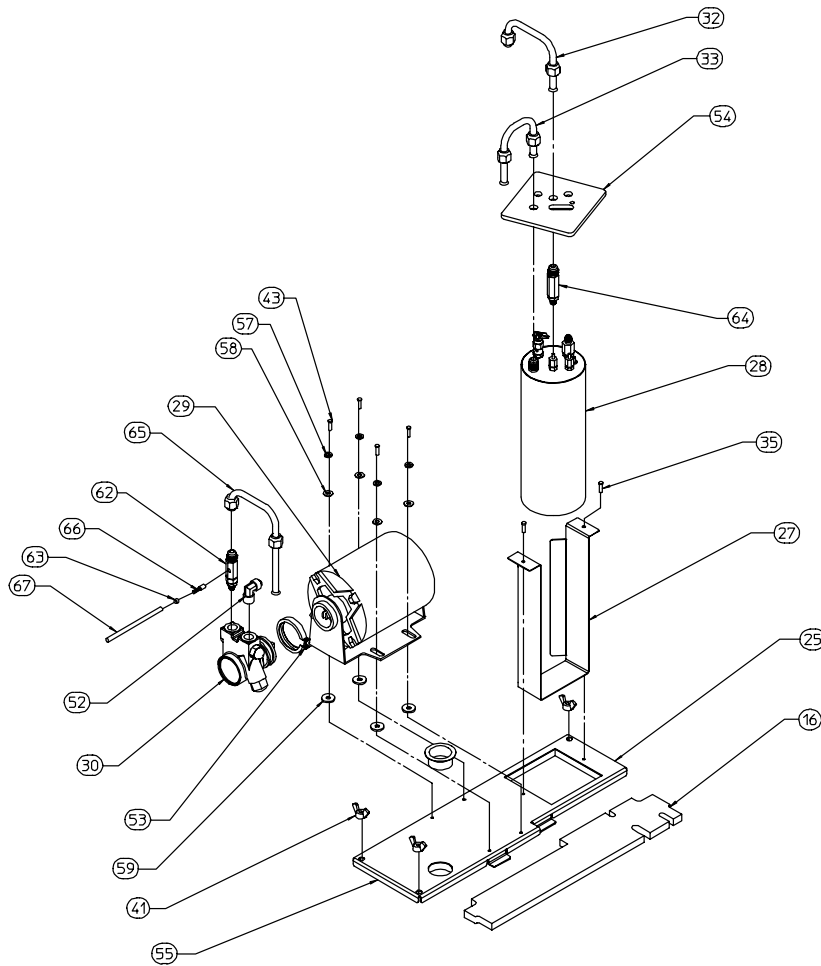
## INTERNAL CARBONATION

ITEM NUMBER	CED-30 PART NUMBER	CED-40 PART NUMBER	DESCRIPTION
25	5009785	5009784	INTERNAL CARBONATION PUMP DECK
27	5009775	5009775	CARBONATOR TANK BRACKET
28	5010446	5010446	CARBONATOR TANK
29	5009598	5009598	CARBONATOR PUMP MOTOR
30	5009613	5009613	CARBONATOR PUMP HEAD
31	5010304	5010304	TUBE, CARBONATOR PUMP TO COIL
32	5010305	5010305	TUBE, WATER COILS TO CARBONATOR TANK
33	5010625	5010625	TUBE, CARBONATOR TANK TO COIL
43	0901014	0901014	10-32X5/8" SLOTTED HEXHEAD MACHINE SCREW
51	5009984	5009984	CARBONATOR PUMP OUTLET FITTING
52	5009983	5009983	CARBONATOR PUMP INLET FITTING
53	5009036	5009036	PUMP HEAD CLAMP
54	5010502	5010502	CARBONATOR TANK GASKET
55	5009941	5009940	INTERNAL CARBONATION PUMP DECK GASKET
57	0901904	0901904	1/4" LOCK WASHER SS
58	0901805	0901805	1/4" FLAT WASHER SS
59	5010841	5010841	RUBBER WASHER 13/16"
61	5010380	5010380	CHUDNOW DOUBLE CHECK VALVE 0.128 ORIFICE
62	5011070	5011070	WATTS VENTED CHECK VALVE 3/8" NPT
63	5009859	5009859	CLAMP OTR 13/32"
64	5011094	5011094	1/8" NPT X 3/8" FLARE CHUDNOW FITTING 0.128 ORIFICE
65	5011073	5011073	TUBE S.S. FOR USE W/ WATTS CHECK VALVE
66	5011068	5011068	FITTING 1/8" MALE NPT X 1/4" HOSE BARB S.S.
67	1200402	1200402	1/4" TUBING

# GEN II POST-MIX 208/230 VOLT/ 60 HERTZ



# GEN II POST-MIX 208/230 VOLT/ 60 HERTZ



INTERNAL CARBONATION OPTION  
W/ WATTS VENTED CHECK VALVE

EXPLODED VIEW  
COUNTERTOP ELECTRIC 208-230 VOLT 60 HZ  
POSTMIX BEVERAGE DISPENSER  
MAJOR CHANGE CODE: (04)  
DATE: 12/7/2000  
DWG#: 5011375-2  
REV. DATE: 6/20/2001  
PAGE 2 OF 2

## 208/230 VOLT/ 60 HERTZ GEN II PARTS LIST

### EXTERNAL CARBONATION

ITEM	CED-30	CED-40	DESCRIPTION
NUMBER	PART NUMBER	PART NUMBER	
1	5008826	5008827	TUB ASSEMBLY
2	5010436	5010437	BASE WRAP
3	5010053	5009717	BASE PLATE
4	5009661	5009661	LEFT SIDE PANEL
5	5011836	5011837	REAR PANEL
6	5008501	5008502	FOAM FRONT
7	5009662	5009662	RIGHT SIDE PANEL
8	5010440	5010441	DRAINPAN
9	5009619	5009618	WIRE GRID
10	5008503	5008504	VALVE MOUNT CAP
11	5010047	5009718	SPLASH PANEL
12	5009476	5009477	INCOMING TUBING BRACKET
13	5010051	5010051	OVERFLOW TUBE BRACKET
14	7060011	7060011	SPLASH PANEL CLIPS
15	5010187	5010188	FRONT DECK
16	5009937	5009938	BEVERAGE LINES GASKET
17	5011257	5011258	REFRIGERATION DECK (INTERNAL CARB.)
	5011259	5011260	REFRIGERATION DECK (EXTERNAL CARB.)
18	5009644	5009644	SYRUP COIL
19	5010627	5010628	MANIFOLD ASSEMBLY
20	5009645	5009645	NON-CARB WATER COIL
21	5010303	5010303	CARBONATOR WATER COIL
22	5009643	5009671	BEVERAGE LINE BRACE
23	5009642	5009642	BEVERAGE LINE BRACE BRACKETS
24	5010421	5011528	BONNET
26	5009657	5009657	PLAIN WATER FITTING
34	0101011	0101011	LEG (OPTIONAL)
35	5000973	5000973	SCREW 8-32 X 1/2" ROUND PHILIPS TYPE F
37	5009972	5009972	TUB DRAIN FITTING
38	0901001	0901002	SCREW #8 X 1/2" SS (SHEETMETAL)
39	1002201	1002201	KEYSWITCH
40	0900240	0900240	TINNERMAN CLIP
41	5009966	5009966	WING NUT
42	5008805	5008805	FILL HOLE PLUG

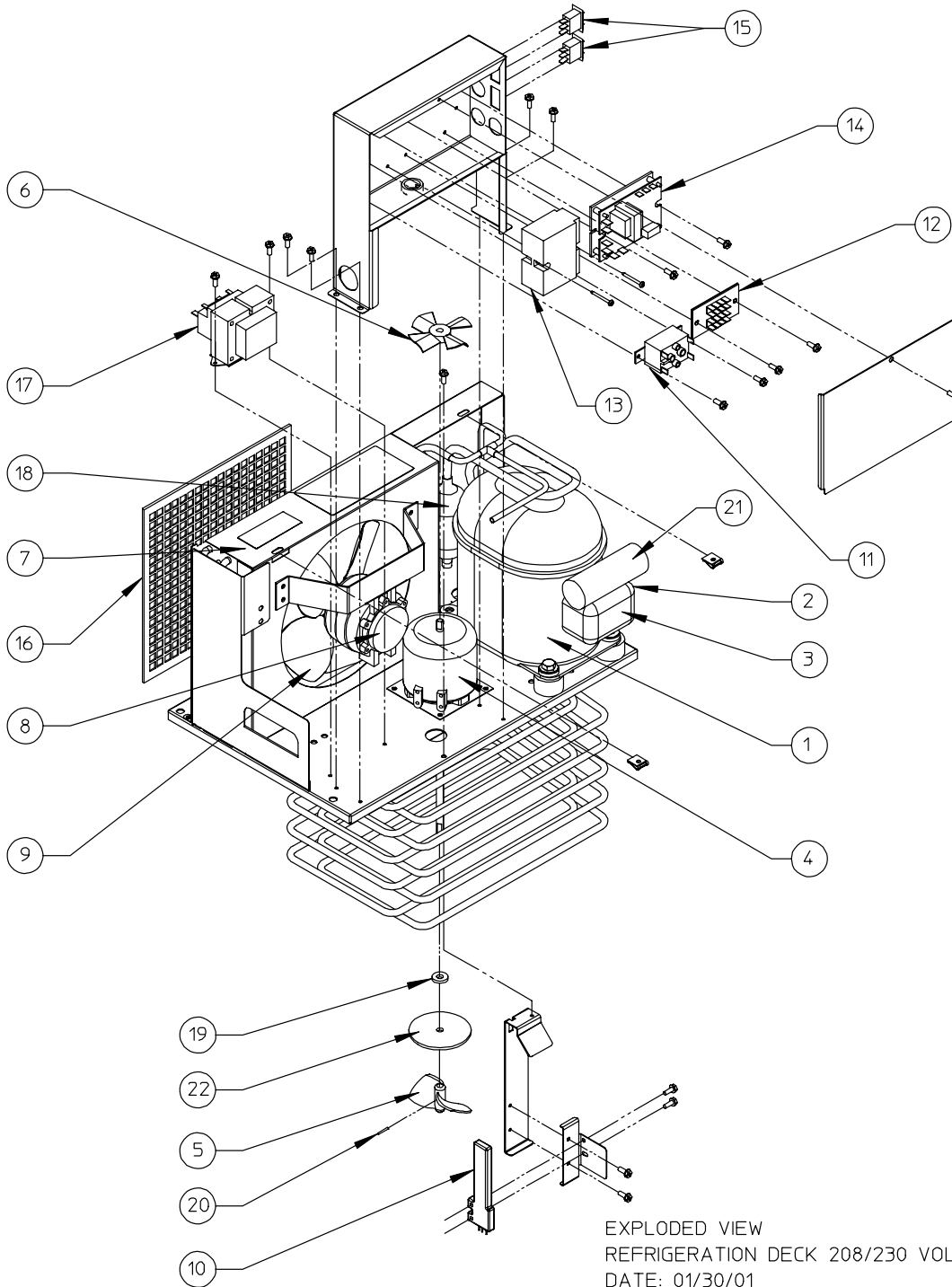
43	0901014	0901014	10-32X5/8 SLOTTED HEXHEAD MACHINE SCREW
44	5011940	5011940	SCREW 8-32 X 1/4" SS PHILIPS TRUSS
46	5009948	5009948	DIVIDER 5/16" X 5/16" 2 WAY
47	5010050	5009716	TUBING BRACE
48	5009949	5009949	PLUG 5/16"
49	5009946	5009946	5/16" TO 5/16" UNION
56	5010189	5010190	EXTERNAL CARBONATION FRONT DECK GASKET
60	5010770	5010770	TUBE WATER COIL TO MANIFOLD
68	5010311	N/A	BEVERAGE CONVERSION KIT

## INTERNAL CARBONATION

ITEM	CED-30	CED-40	DESCRIPTION
NUMBER	PART NUMBER	PART NUMBER	
25	5009785	5009784	INTERNAL CARBONATION PUMP DECK
27	5009775	5009775	CARBONATOR TANK BRACKET
28	5010446	5010446	CARBONATOR TANK
29	5009598	5009598	CARBONATOR PUMP MOTOR
30	5009613	5009613	CARBONATOR PUMP HEAD
31	5010304	5010304	TUBE, CARBONATOR PUMP TO COIL
32	5010305	5010305	TUBE, WATER COILS TO CARBONATOR TANK
33	5010625	5010625	TUBE, CARBONATOR TANK TO COIL
51	5009984	5009984	CARBONATOR PUMP OUTLET FITTING
52	5009983	5009983	CARBONATOR PUMP INLET FITTING
53	5009036	5009036	PUMP HEAD CLAMP
54	5010502	5010502	CARBONATOR TANK GASKET
55	5009941	5009940	INTERNAL CARBONATION PUMP DECK GASKET
57	0901904	0901904	1/4" LOCK WASHER SS
58	0901805	0901805	1/4" FLAT WASHER SS
59	5010841	5010841	RUBBER WASHER 13/16"
61	5010380	5010380	CHUDNOW DOUBLE CHECK VALVE 0.128 ORIFICE
62	5011070	5011070	WATTS VENTED CHECK VALVE 3/8" NPT
63	5009859	5009859	CLAMP OTR 13/32"
64	5011094	5011094	1/8" NPT X 3/8" FLARE CHUDNOW FITTING 0.128 ORIFICE
65	5011073	5011073	TUBE S.S. FOR USE W/ WATTS CHECK VALVE
66	5011068	5011068	FITTING 1/8" MALE NPT X 1/4" HOSE BARB S.S.
67	1200402	1200402	1/4" TUBING

# GEN II INTERNAL CARBONATION 208\230 VOLT 60 HERTZ

## GEN II (INTERNAL CARBONATION)



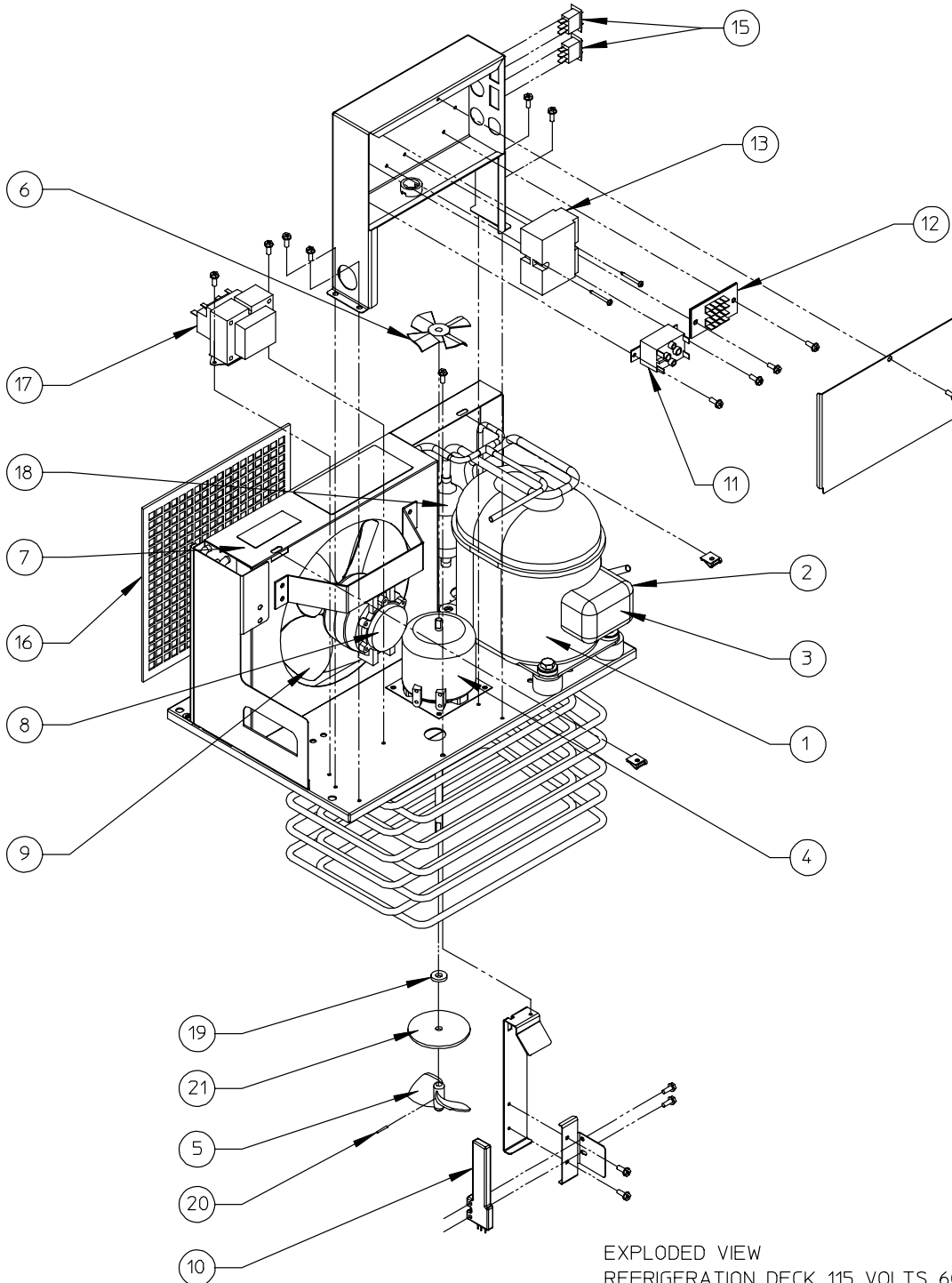
EXPLODED VIEW  
REFRIGERATION DECK 208/230 VOLTS 60 HERTZ  
DATE: 01/30/01  
DWG#: 5011376-1  
REVISED DATE: 04/05/01

## 208\230 VOLT 60 HERTZ GEN II PARTS LIST

ITEM	CED-30	CED-40	DESCRIPTION
NUMBER	PART NUMBER	PART NUMBER	
1	00219336	00219336	COMPRESSOR 208/230V/60HZ
2			COMPRESSOR START RELAY
3			COMPRESSOR OVERLOAD
4			AGITATION MOTOR
5	00751210	00751210	IMPELLER (AGITATION MOTOR)
6	M2416323	M2416323	COOLING FAN BLADE (AGITATION MOTOR)
7	5009195	5009199	AIR CONDENSER
8	5011388	5011388	CONDENSER FAN MOTOR
9	5009188	5009188	FAN BLADE
10	5009096	5009096	ICE BANK PROBE
11	5010830	5010830	REFRIGERATION SYSTEM RELAY
12	5010691	5010691	TERMINAL BOARD
13	5010827	5010827	ICE BANK CONTROL
14	5009770	5009770	LIQUID LEVEL CIRCUIT BOARD
15	5009184	5009184	ROCKER SWITCH
16	5009191	5009198	CONDENSER FILTER
17	5007111	5007111	TRANSFORMER 220/240 V
18	5009196	5009196	DRIER
19	00377102	00377102	WATER SLINGER WASHER
20	5010761	5010761	ROLL PIN 3/32 X 9/16
21			START CAPACITOR (47-56MF/50-60 HZ)
22	00219398	00219398	ANTI-VORTEXING WASHER

# GEN II EXTERNAL CARBONATON 115 VOLT 60 HERTZ

## GEN II (EXTERNAL CARBONATION)



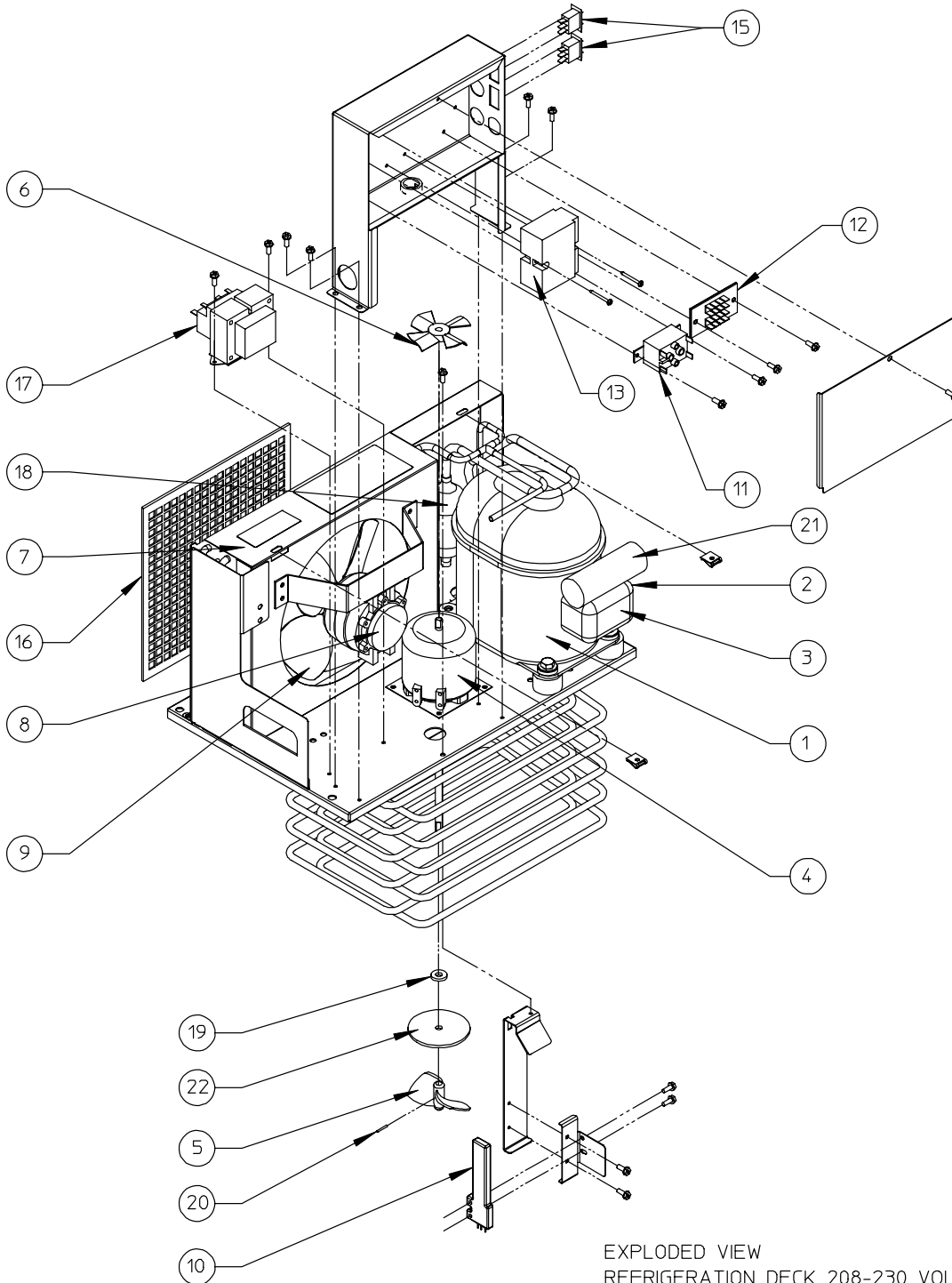
EXPLODED VIEW  
REFRIGERATION DECK 115 VOLTS 60 HERTZ  
DATE: 04/02/01  
DWG#: 5011574-0

## 115 VOLT 60 HERTZ GEN II PARTS LIST

ITEM	CED-30	CED-40	DESCRIPTION
NUMBER	PART NUMBER	PART NUMBER	
1	5009192	5009192	COMPRESSOR 115V/60HZ
2	5009197	5009197	COMPRESSOR START RELAY
3	5010682	5010682	COMPRESSOR OVERLOAD
4	00218968	00218968	AGITATION MOTOR
5	00751210	00751210	IMPELLER (AGITATION MOTOR)
6	M2416323	M2416323	COOLING FAN BLADE (AGITATION MOTOR)
7	5009195	5009199	AIR CONDENSER
8	5009187	5009187	CONDENSER FAN MOTOR
9	5009188	5009188	FAN BLADE
10	5009096	5009096	ICE BANK PROBE
11	5009194	5009194	REFRIGERATION SYSTEM RELAY
12	5010691	5010691	TERMINAL BOARD
13	M2351353	M2351353	ICE BANK CONTROL
15	5009184	5009184	ROCKER SWITCH
16	5009191	5009198	CONDENSER FILTER
17	5008229	5008229	TRANSFORMER 115V/60HZ
18	5009196	5009196	DRIER
19	00377102	00377102	WATER SLINGER WASHER
20	5010761	5010761	ROLL PIN 3/32 X 9/16
21	00219398	00219398	ANTI-VORTEXING WASHER

# GEN II EXTERNAL CARBONATION 208/230 VOLTS 60 HERTZ

## GEN II (EXTERNAL CARBONATION)



EXPLODED VIEW  
REFRIGERATION DECK 208-230 VOLTS 60 HERTZ  
DATE: 04/03/01  
DWG#: 5011575-0

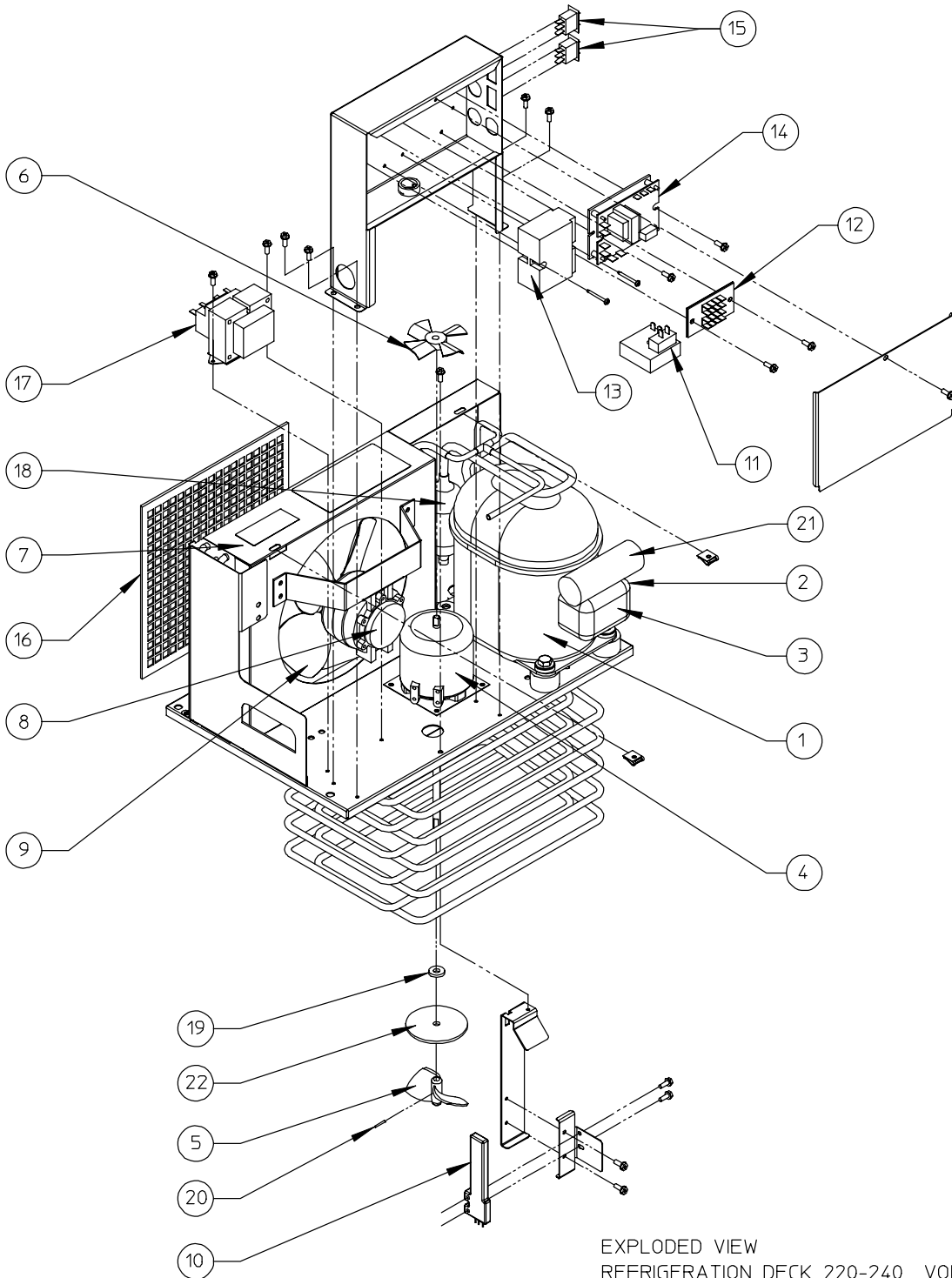
## 208/230 VOLTS 60 HERTZ GEN II PARTS LIST

ITEM	CED-30	CED-40	DESCRIPTION
NUMBER	PART NUMBER	PART NUMBER	
1	00219336	00219336	COMPRESSOR 208/230V/60HZ
2			COMPRESSOR START RELAY
3			COMPRESSOR OVERLOAD
4			AGITATION MOTOR
5	00751210	00751210	IMPELLER (AGITATION MOTOR)
6	M2416323	M2416323	COOLING FAN BLADE (AGITATION MOTOR)
7	5009195	5009199	AIR CONDENSER
8			CONDENSER FAN MOTOR
9	5009188	5009188	FAN BLADE
10	5009096	5009096	ICE BANK PROBE
11	5010830	5010830	REFRIGERATION SYSTEM RELAY
12	5010691	5010691	TERMINAL BOARD
13	M2351353	M2351353	ICE BANK CONTROL
15	5009184	5009184	ROCKER SWITCH
16	5009191	5009198	CONDENSER FILTER
17	5007111	5007111	TRANSFORMER 220-240V
18	5009196	5009196	DRIER
19	00377102	00377102	WATER SLINGER WASHER
20	5010761	5010761	ROLL PIN 3/32 X 9/16
21			START CAPACITOR (47-56MF/50-60 HZ)
22	00219398	00219398	ANTI-VORTEXING WASHER

# GEN II INTERNAL CARBONATION 220\240 VOLT 50 HERTZ CE

GEN II  
CE

(INTERNAL CARBONATION)



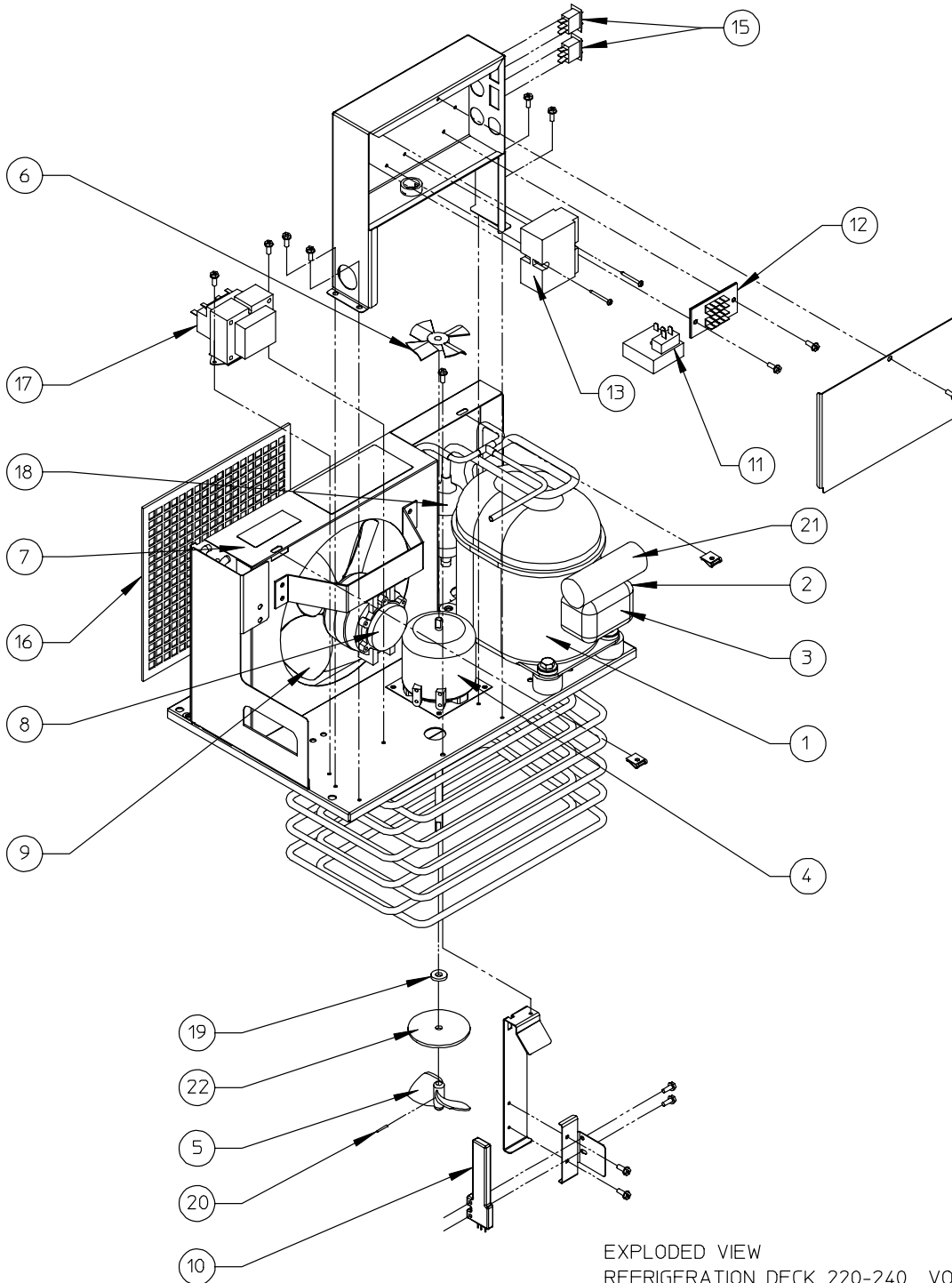
EXPLODED VIEW  
REFRIGERATION DECK 220-240 VOLTS 50 HERTZ  
DATE: 04/03/01  
DWG#: 5011577-0

## 220\240 VOLT 50 HERTZ CE GEN II PARTS LIST

Item	CED-30	DESCRIPTION
Number	Part Number	
1	5025108	COMPRESSOR 220-240V/ 50Hz
2	5025107	COMPRESSOR START RELAY 50Hz
3	5025106	COMPRESSOR OVERLOAD 50Hz
4	5025104	AGITATION MOTOR 220-240V/ 50Hz
5	00751210	IMPELLER (AGITATION MOTOR)
6	M2416323	COOLING FAN BLADE (AGITATION MOTOR)
7	5009199	AIR CONDENSER
8	5025100	CONDENSER FAN MOTOR 220-240V/ 50Hz
9	5025103	FAN BLADE 50Hz
10	5009096	ICE BANK PROBE
11	5011498	REFRIGERATION SYSTEM TIME DELAY RELAY 220-240V/ 50Hz
12	5010691	TERMINAL BOARD 50Hz & 60Hz
13	00219017	ICE BANK CONTROL 220-240V/ 50Hz
14	5010648	LIQUID LEVEL CIRCUIT BOARD 220-240V/ 50Hz
15	5009184	ROCKER SWITCH
16	5009198	CONDENSER FILTER
17	5007111	TRANSFORMER 220-240V/ 50Hz
18	5009196	DRIER
19	00377102	WATER SLINGER WASHER
20	5010761	ROLL PIN 3/32 X 9/16
21	5025388	START CAPACITOR (53-64MF\50Hz)
22	00219398	ANTI-VORTEXING WASHER

# GEN II EXTERNAL CARBONATION 220/240 VOLT 50 HERTZ CE

GEN II  
CE  
(EXTERNAL CARBONATION)



EXPLODED VIEW  
REFRIGERATION DECK 220-240 VOLTS 50 HERTZ  
DATE: 04/03/01  
DWG#: 5011578-0

## 220\240 VOLT 50 HERTZ CE GEN II PARTS LIST

Item	CED-30	DESCRIPTION
Number	Part Number	
1	5025108	COMPRESSOR 220-240V/ 50Hz
2	5025107	COMPRESSOR START RELAY 50Hz
3	5025106	COMPRESSOR OVERLOAD 50Hz
4	5025104	AGITATION MOTOR 220-240V/ 50Hz
5	00751210	IMPELLER (AGITATION MOTOR)
6	M2416323	COOLING FAN BLADE (AGITATION MOTOR)
7	5009199	AIR CONDENSER
8	5025100	CONDENSER FAN MOTOR 220-240V/ 50Hz
9	5025103	FAN BLADE 50Hz
10	5009096	ICE BANK PROBE
11	5011498	REFRIGERATION SYSTEM TIME DELAY RELAY 220-240V/ 50Hz
12	5010691	TERMINAL BOARD 50Hz & 60Hz
13	00219017	ICE BANK CONTROL 220-240V/ 50Hz
15	5009184	ROCKER SWITCH
16	5009198	CONDENSER FILTER
17	5007111	TRANSFORMER 220-240V/ 50Hz
18	5009196	DRIER
19	00377102	WATER SLINGER WASHER
20	5010761	ROLL PIN 3/32 X 9/16
21	5025388	START CAPACITOR (53-64MF\50Hz)
22	00219398	ANTI-VORTEXING WASHER







**Maniowoc Beverage Equipment**

2100 Future Drive Sellersburg, IN 47172-1868  
Tel: 812.246.7000, 800.367.4233 • Fax: 812.246.9922  
[www.maniowocbeverage.com](http://www.maniowocbeverage.com)

In accordance with our policy of continuous product development and improvement, this information is subject to change at any time without notice.

Revision June 02, 2003