



Variety Valve Parts List for Servend Equipment

AUTOFILL - 030000069

PUSH BUTTON - 030000071

SANITARY LEVER - 030000070

PORTION CONTROL - 030000072

CEV-30

SV-175

CEV-40

SV-200

DI/DIL-2323

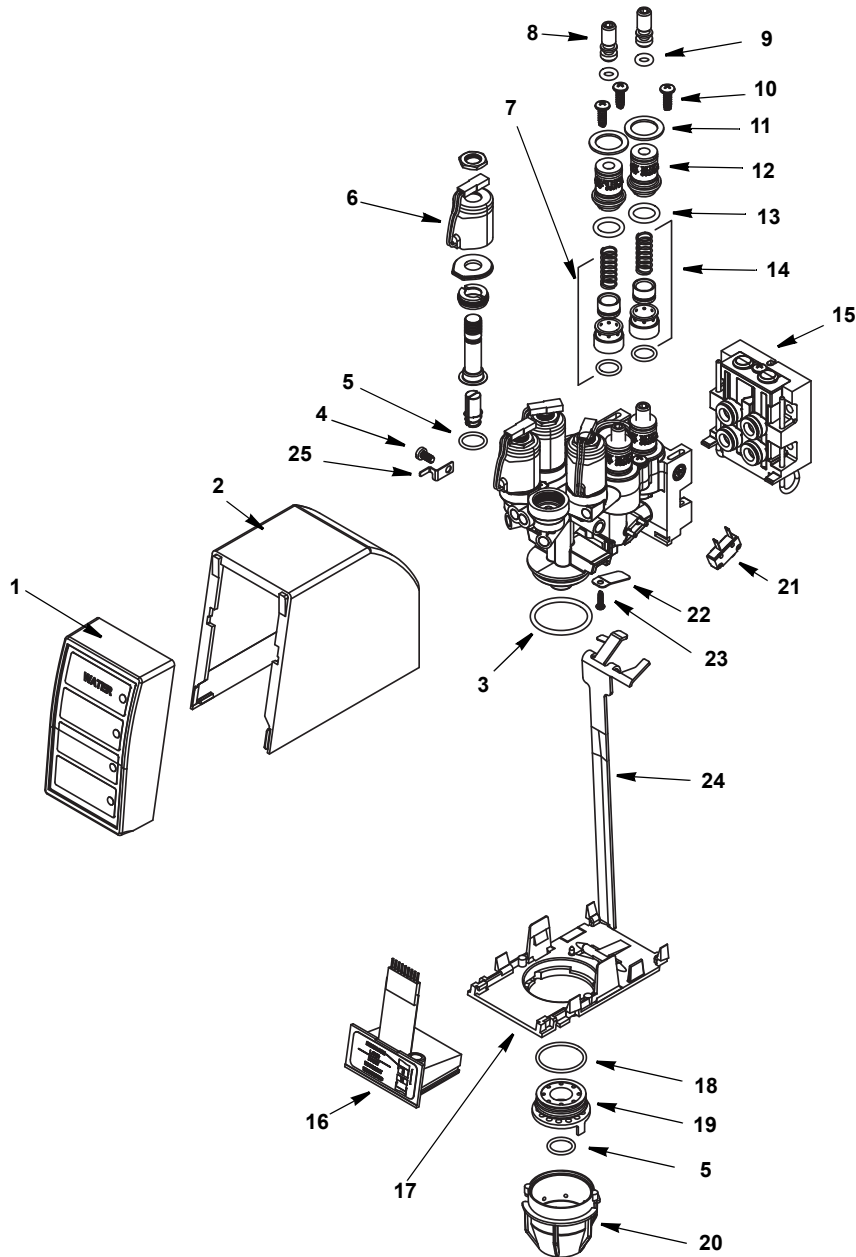
SV-250

IC-2323

MDH-302

SV-150

AUTOFILL VALVE



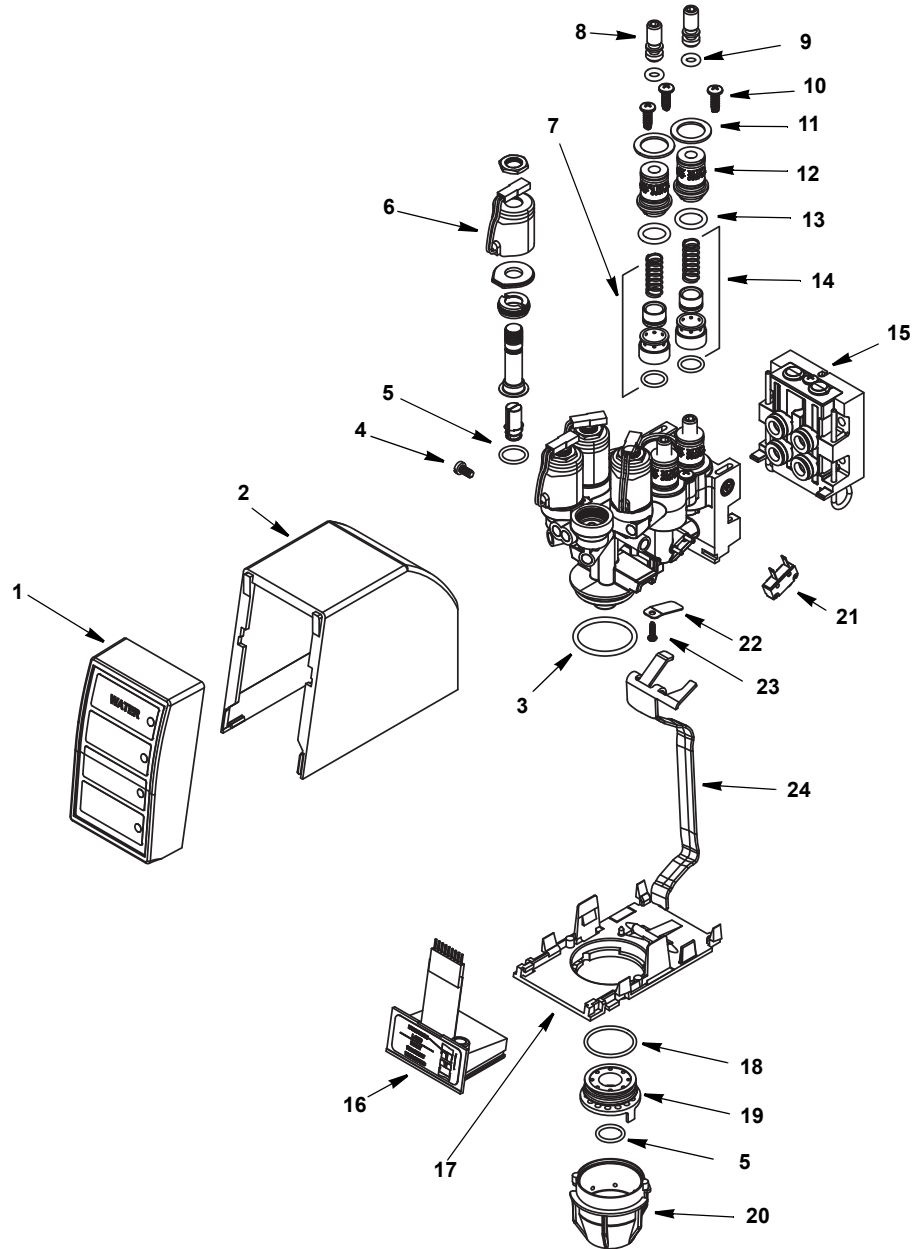
03000069

DESCRIPTION

1	Front Cover	15-2895
2	Rear Cover	01-1831
3	O-ring 1.174 X .103	030000067
4	Screw, M4	030000090
5	O-ring .489 X .07	10-0020
6	Solenoid	05-1711
7	Water Flow Control Kit	16-1588
8	Flow Control Stem	030000068
9	O-ring .206 X .103	10-0921
10	Screw, 8-16	10-1150
11	Flatwasher	030000088
12	Flow Control Housing	01-0295
13	O-ring .487 X .103	10-0010
14	Syrup Flow Control Kit	16-1589
15	Mounting Block	030000065
15a	O-ring for Mounting Block	10-0030
16	Electronic Module	15-2894
17	Bottom Plate	01-1832
18	O-ring .989 X .07	10-0007
19	Diffuser	01-1822
20	Nozzle	01-1833
21	Switch	030000073
22	Lever Spring	14-5164
23	Screw, 3-24	030000135
24	Lever	14-5169
25	Nozzle Terminal	14-5263

PART NO.

SANITARY LEVER VALVE

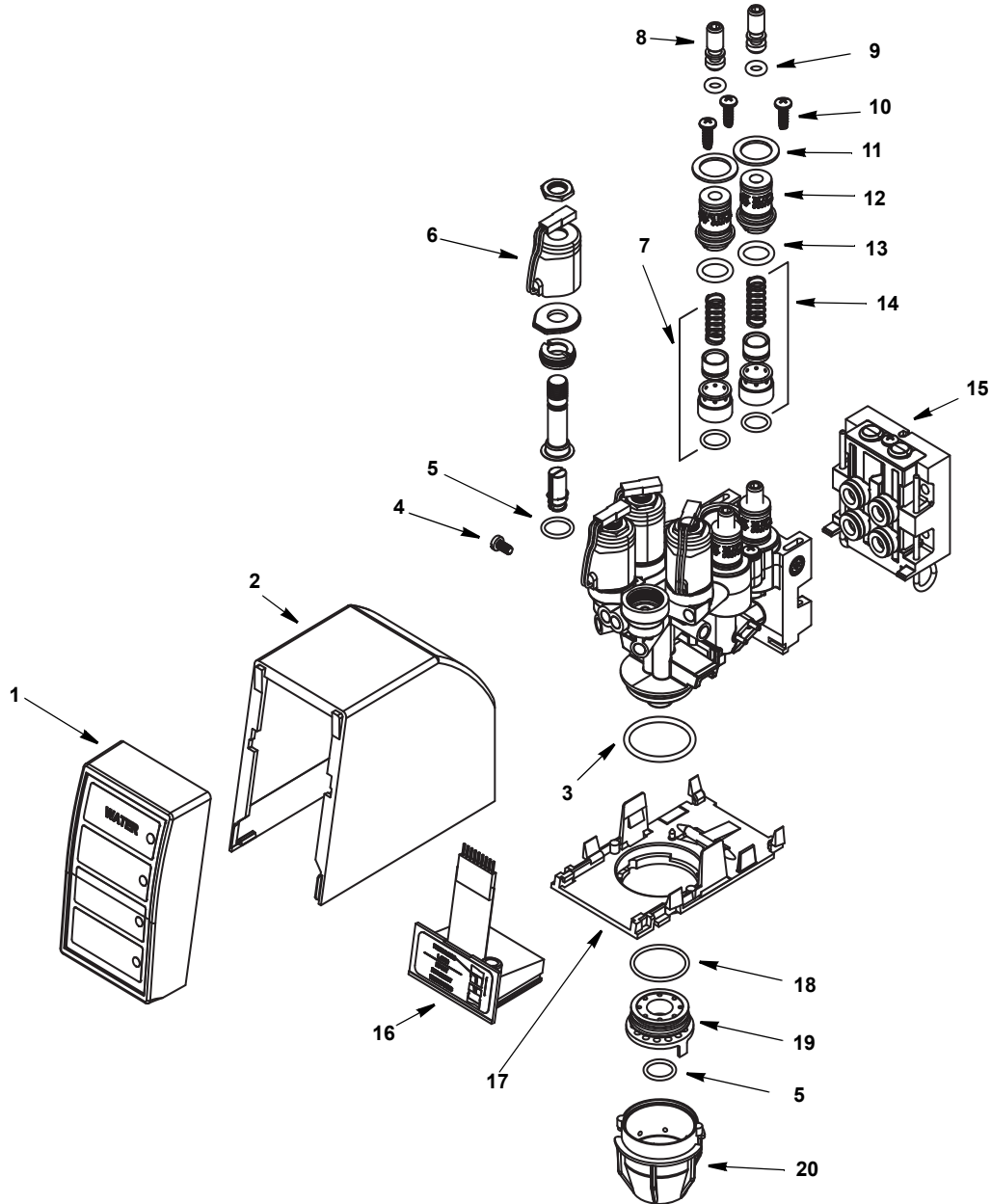


03000070

DESCRIPTION

1	Sanitary Lever Valve Full Assembly	03000070
1	Front Cover	15-2895
2	Rear Cover	01-1831
3	O-ring 1.174 X .103	03000067
4	Screw, M4	030000090
5	O-ring .489 X .07	10-0020
6	Solenoid	05-1711
7	Water Flow Control Kit	16-1588
8	Flow Control Stem	03000068
9	O-ring .206 X .103	10-0921
10	Screw, 8-16	10-1150
11	Flatwasher	03000088
12	Flow Control Housing	01-0295
13	O-ring .487 X .103	10-0010
14	Syrup Flow Control Kit	16-1589
15	Mounting Block	03000065
15a	O-ring for Mounting Block	10-0030
16	Electronic Module	15-2924
17	Bottom Plate	01-1832
18	O-ring .989 X .07	10-0007
19	Diffuser	01-1822
20	Nozzle	01-1833
21	Switch	03000073
22	Lever Spring	14-5164
23	Screw, 3-24	030000135
24	Lever	14-5222

PUSH BUTTON VALVE



03000071

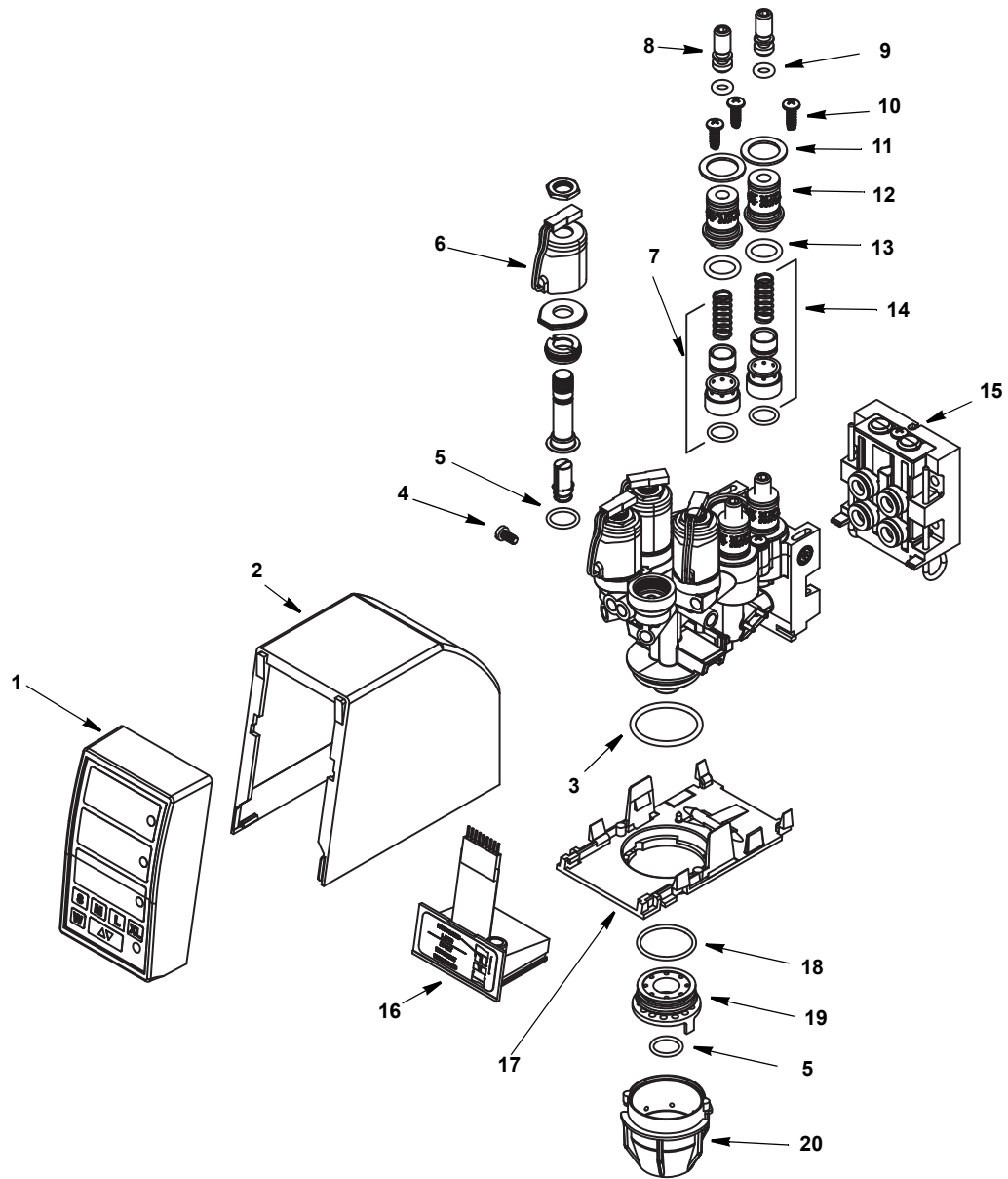
DESCRIPTION

	Push Button Valve Full Assembly	
1	Front Cover	
2	Rear Cover	
3	O-ring 1.174 X .103	
4	Screw, M4	
5	O-ring .489 X .07	
6	Solenoid	
7	Water Flow Control Kit	
8	Flow Control Stem	
9	O-ring .206 X .103	
10	Screw, 8-16	
11	Flatwasher	
12	Flow Control Housing	
13	O-ring .487 X .103	
14	Syrup Flow Control Kit	
15	Mounting Block	
15a	O-ring for Mounting Block	
16	Electronic Module	
17	Bottom Plate	
18	O-ring .989 X .07	
19	Diffuser	
20	Nozzle	

PART NO.

03000071
15-2895
01-1831
03000067
030000090
10-0020
05-1711
16-1588
030000068
10-0921
10-1150
030000088
01-0295
10-0010
16-1589
030000065
10-0030
15-2892
01-1832
10-0007
01-1822
01-1833

PORTION CONTROL VALVE



DESCRIPTION

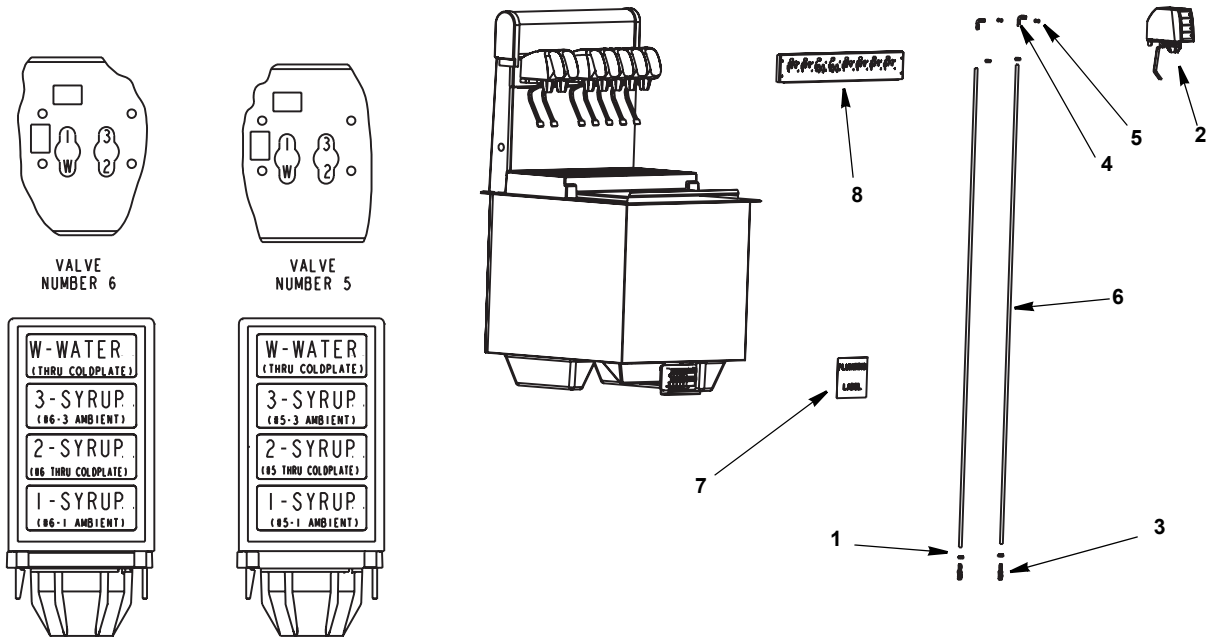
1	Portion Control Valve Full Assembly	030000072
1	Front Cover	15-2896
2	Rear Cover	01-1831
3	O-ring 1.174 X .103	030000067
4	Screw, M4	030000090
5	O-ring .489 X .07	10-0020
6	Solenoid	05-1711
7	Water Flow Control Kit	16-1588
8	Flow Control Stem	030000068
9	O-ring .206 X .103	10-0921
10	Screw, 8-16	10-1150
11	Flatwasher	030000088
12	Flow Control Housing	01-0295
13	O-ring .487 X .103	10-0010
14	Syrup Flow Control Kit	16-1589
15	Mounting Block	030000065
15a	O-ring for Mounting Block	10-0030
16	Electronic Module	15-2893
17	Bottom Plate	01-1832
18	O-ring .989 X .07	10-0007
19	Diffuser	01-1822
20	Nozzle	01-1833

030000072

PART NO.

030000072
15-2896
01-1831
030000067
030000090
10-0020
05-1711
16-1588
030000068
10-0921
10-1150
030000088
01-0295
10-0010
16-1589
030000065
10-0030
15-2893
01-1832
10-0007
01-1822
01-1833

DI/DIL2323 VARIETY VALVE PARTS



*SANITARY LEVER VALVE SHOWN
SEE VARIETY VALVE PARTS
LIST FOR ALL VALVE NUMBERS*

*SEE PLUMBING DIAGRAM FOR
VALVE PLUMBING DETAILS*

020001671

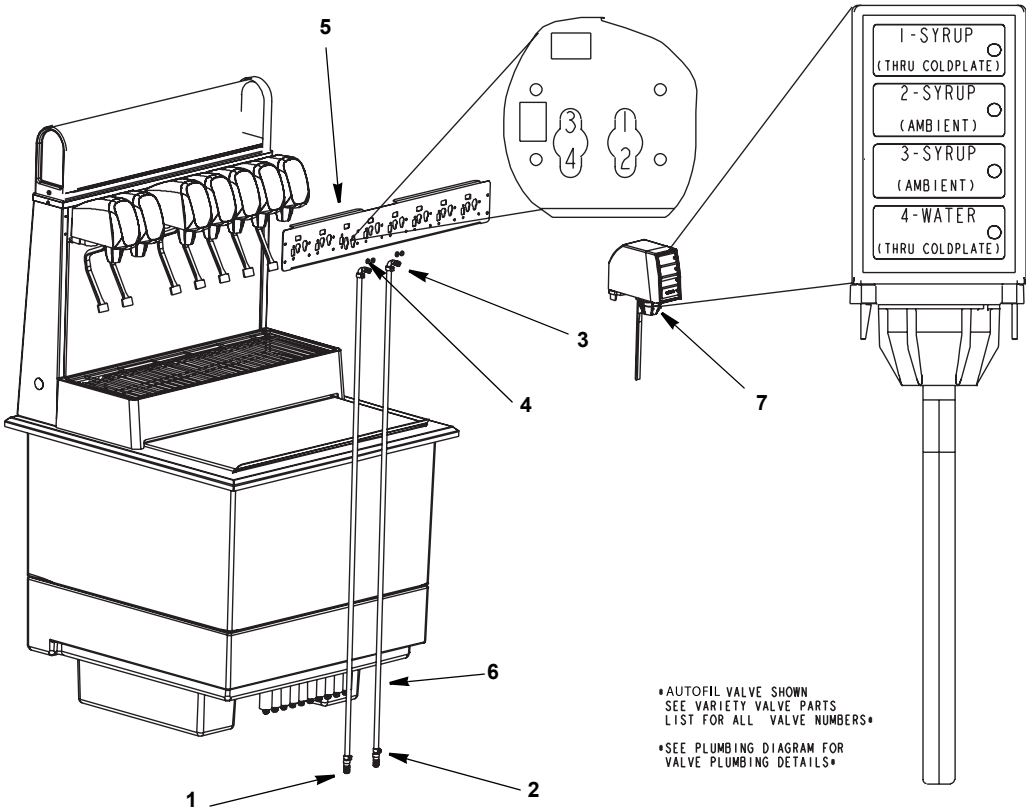
DESCRIPTION

1	SS Stepless Clamp
2	Sanitary Lever Variety Valve
3	Splicer 1/4" x 3/8"
4	90 Degree 1/4" Barb Inlet Elbow
5	010 O-ring .239 ID x .070 W
6	60" Syrup Tube
7	Plumbing Label
8	Valve Mount Cap - 8 Valve

PART NO.

13.3-706R
030000070
00861302
5006468
5009080
5031242
020001226
5011906

IC2323 VARIETY VALVE PARTS



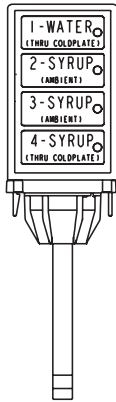
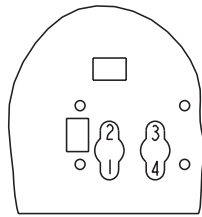
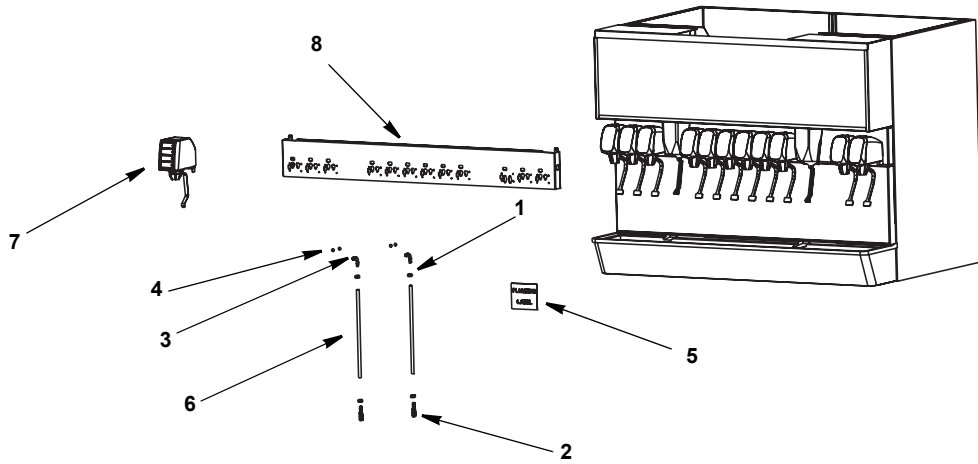
DESCRIPTION

1	Splicer 1/4" x 3/8"	
2	OTR Clamp 1/2" x 13.3-706R	
3	90 Degree 1/4" Barb Inlet Elbow	
4	O10 O-ring .239 ID x .070 W	
5	Valve Mount Cap - 8 Valve	
6	40" Syrup Tube	
7	Autofil Variety Valve	

PART NO.

00861302
13.3-706R
5006468
5009080
5031070
5031212
030000069

MDH SERIES VARIETY VALVE PARTS



*SANITARY LEVER VALVE SHOWN
SEE VARIETY VALVE PARTS
LIST FOR ALL VALVE NUMBERS*

*SEE PLUMBING DIAGRAM FOR
VALVE PLUMBING DETAILS*

020001679

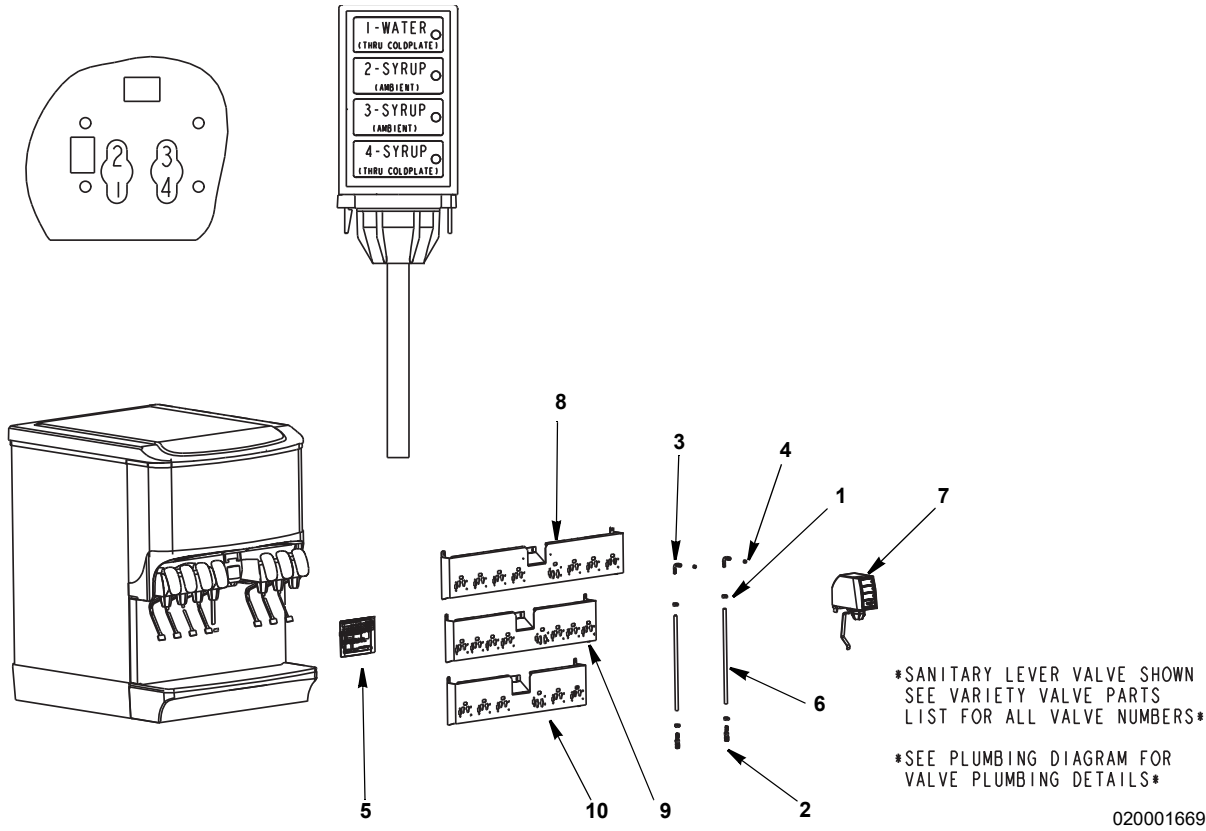
DESCRIPTION

1	SS Stepless Clamp
2	Splicer 1/4" x 3/8"
3	90 Degree 1/4" Barb Inlet Elbow
4	O-ring .239 ID x .070 W
5	Plumbing Label - 2112 Right
6	12" Syrup Tube
7	Sanitary Lever Variety Valve
8	Valve Mount Cap - 12 Valve

PART NO.

13.3-706R
00861302
5006468
5009080
5011803
5030920
03000070
020001426

SV/SVi VARIETY VALVE PARTS



*SANITARY LEVER VALVE SHOWN
SEE VARIETY VALVE PARTS
LIST FOR ALL VALVE NUMBERS*

*SEE PLUMBING DIAGRAM FOR
VALVE PLUMBING DETAILS*

020001669

DESCRIPTION

DESCRIPTION	PART NO.
1 SS Stepless Clamp	13.3-706R
2 Splicer 1/4" x 3/8"	00861302
3 90 Degree 1/4" Barb Inlet Elbow	5006468
4 O10 O-ring .239 ID x .070 W	5009080
5 Plumbing Label	
a. 3-1-1-1-2 (SV-200/250)	5028014
b. 3-1-1-1-2 (SV-175)	5029871
c. 2-1-1-2 (SV-150)	020000254
6 12" Syrup Tube	5030920
7 Sanitary Lever Variety Valve	030000070
8 Valve Mount Cap -8 Valve (SV200/250)	5031084
9 Valve Mount Cap -8 Valve (SV175)	020000911
10 Valve Mount Cap -6 Valve (SV150)	020000909