

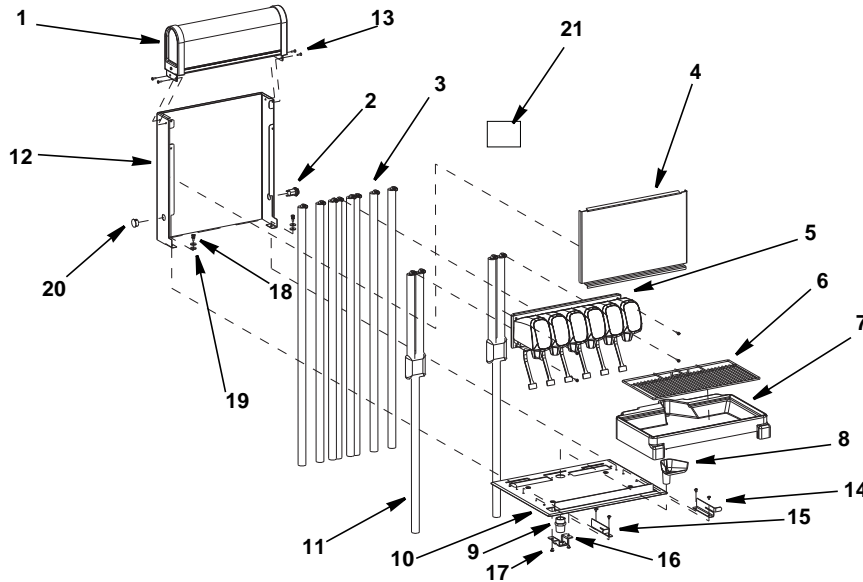


## **CT Series Beverage Dispensers Parts List**

**CT-6**

**CT-8**

## CT-6 Parts

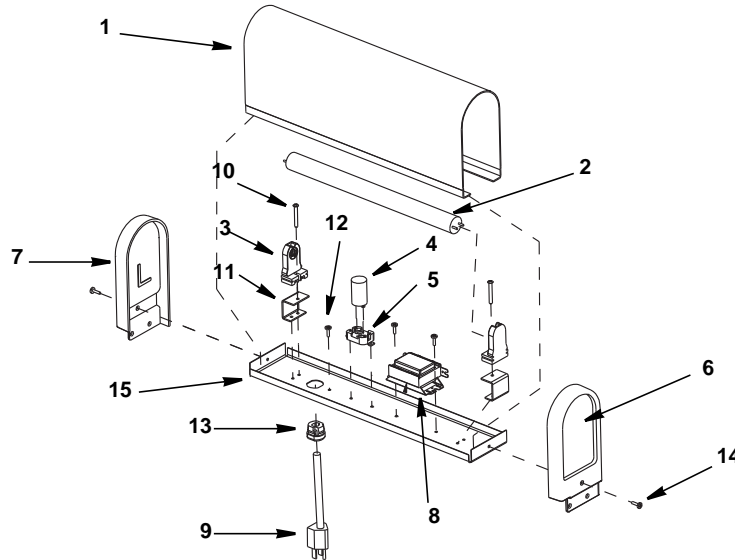


### DESCRIPTION

### PART NO.

|  |                  |
|--|------------------|
| <b>1 Merchandiser</b> .....                        | <b>5030249</b>   |
| a. 120V/60 Hz Pepsi. ....                          | 5027654          |
| b. 120V/60 Hz Quench . . . . .                     | 5027656          |
| c. 120V/60 Hz RC. ....                             | 5027657          |
| d. 120V/60 Hz 7UP. ....                            | 5027658          |
| e. 100V/50 & 60 Hz Pepsi. ....                     | 5030276          |
| f. 100V/50 & 60 Hz Quench. ....                    | 5027661          |
| g. 100V/50 & 60 Hz RC . . . . .                    | 5027662          |
| h. 100V/50 & 60 Hz 7UP. ....                       | 5027663          |
| i. 220V/50 Hz Pepsi. ....                          | 5030277          |
| j. 220V/50 Hz Quench . . . . .                     | 5027666          |
| k. 220V/50 Hz RC. ....                             | 5027667          |
| l. 220V/50 Hz 7UP. ....                            | 5027668          |
| m. 220V/60 Hz Pepsi. ....                          | 5030278          |
| n. 220V/60 Hz Quench . . . . .                     | 5027671          |
| o. 220V/60 Hz RC. ....                             | 5027672          |
| p. 240V/60 Hz 7UP. ....                            | 5027673          |
| q. 240V/50 Hz Pepsi. ....                          | 5030279          |
| r. 240V/50 Hz Quench . . . . .                     | 5027676          |
| s. 240V/50 Hz RC. ....                             | 5027677          |
| t. 240V/50 Hz 7UP. ....                            | 5027678          |
| u. 240V/60 Hz Pepsi. ....                          | 5030280          |
| v. 240V/60 Hz Quench . . . . .                     | 5027681          |
| w. 240V/60 Hz RC. ....                             | 5027682          |
| x. 240V/60 Hz 7UP. ....                            | 5027683          |
| y. 120V/60 Hz Dr. Pepper. ....                     | 5027785          |
| z. 100V/50 & 60 Hz Dr. Pepper . . . . .            | 5027786          |
| aa. 220V/50 Hz Dr. Pepper. ....                    | 5027787          |
| ab. 220V/60 Hz Dr. Pepper. ....                    | 5027788          |
| ac. 240V/50 Hz Dr. Pepper. ....                    | 5027789          |
| ad. 240V/60 Hz Dr. Pepper. ....                    | 5027790          |
| <b>2 Key Switch</b> .....                          | <b>5000220</b>   |
| <b>3 Syrup/Water Line 33"</b> .....                | <b>5029299</b>   |
| <b>4 Splash Panel</b> .....                        | <b>5009089</b>   |
| <b>5 Valve Mount Cap 6 Valves, GENII</b> . . . . . | <b>5009103</b>   |
| <b>6 Wire Grid</b> .....                           | <b>5007664</b>   |
| <b>7 Drain Pan, Wide Black</b> .....               | <b>5008721</b>   |
| <b>8 Rubber Drain Funnel</b> .....                 | <b>5006933</b>   |
| <b>9 Male CPVC 3/4" Adapter</b> .....              | <b>1200101</b>   |
| <b>10 Tower Base Panel</b> .....                   | <b>5029312</b>   |
| <b>11 Manifold</b> .....                           | <b>5029316</b>   |
| <b>12 Tower Wrap GENII</b> .....                   | <b>5028971</b>   |
| <b>Miscellaneous - Brackets, Screw, Etc.</b>       |                  |
| <b>13 Screw, 8-32 x 1/2"</b> .....                 | <b>5011940</b>   |
| <b>14 Tower Bracket Right</b> .....                | <b>5029455</b>   |
| <b>15 Tower Bracket Left</b> .....                 | <b>5029454</b>   |
| <b>16 Fitting Restraint Bracket</b> .....          | <b>5029313</b>   |
| <b>17 Screw, 8-32 x 1/4" PH SS</b> .....           | <b>5012081</b>   |
| <b>18 Screw, 8-32 x 3/8" Knurled</b> .....         | <b>00856704</b>  |
| <b>19 Stainless Steel Flat Washer</b> .....        | <b>00850323</b>  |
| <b>20 Heyco Plug, 7/8"</b> .....                   | <b>1200303</b>   |
| <b>21 Plumbing Diagram Label</b> .....             | <b>020003552</b> |

## CT-6 Merchandiser

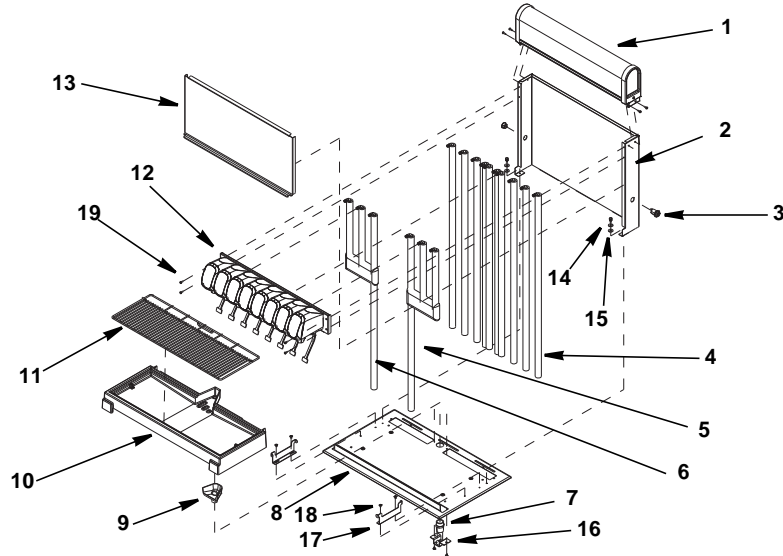


5030249

### DESCRIPTION

|   | <b>PART NO.</b> |
|---|-----------------|
| <b>1 Medallion</b>                                      |                 |
| a. Quench .....   | 5009469         |
| b. Pepsi .....  | 5009470         |
| c. 7UP .....  | 5009627         |
| <b>2 11" Florescent Tube (F13)</b> .....                | 1000318         |
| <b>3 End Light Socket</b> .....                         | 1001001         |
| <b>4 LEV FS2 Starter</b> .....                          | 1001005         |
| <b>5 Starter Base</b> .....                             | 1001006         |
| <b>6 Merchandiser End Cap, Right</b> .....              | 5008727         |
| <b>7 Merchandiser End Cap, Left</b> .....               | 5008726         |
| <b>8 Ballast</b>  |                 |
| a. 115/60 .....   | 5008644         |
| b. 100/50/60 Export .....                               | 5000870         |
| c. 220/50 .....   | 5000348         |
| d. 220/60 .....   | 5000349         |
| e. 240/50 .....   | 5000350         |
| f. 240/60 .....   | 5000351         |
| <b>9 Electric Cord</b>                                  |                 |
| a. Domestic .....                                       | 5008642         |
| b. 100/220/240 Light Harness (Exports Only) .....       | 5007691         |
| <b>Miscellaneous - Brackets, Screw, Etc.</b>            |                 |
| <b>10 Screw 8-32 x 1/4" PH PS</b> .....                 | 5000974         |
| <b>11 Light Socket Bracket (Right &amp; Left)</b> ..... | 4340151         |
| <b>12 Screw 8-32 x 1/2" GRND Zinc</b> .....             | 5011936         |
| <b>13 Cord Strain Relief Heyco Plug</b> .....           | 1200301         |
| <b>14 Screw 8-32 x 1/2"</b> .....                       | 5011940         |
| <b>15 Light Mount Bracket</b> .....                     | 5007690         |

# CT-8 Parts

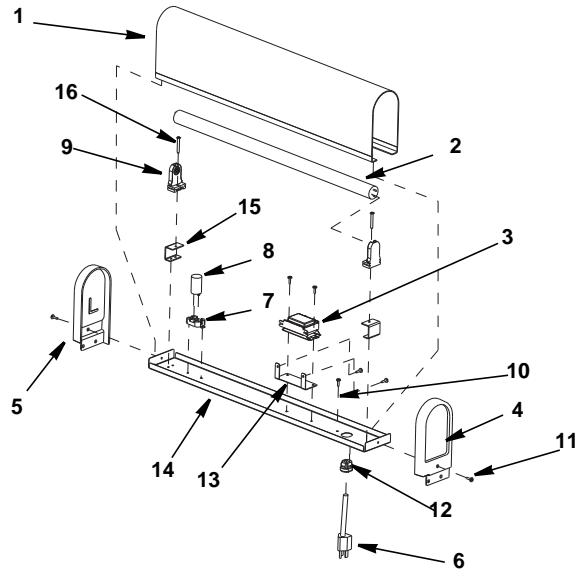


## DESCRIPTION

## PART NO.

|  |                 |
|--|-----------------|
| <b>1 Merchiser</b> .....                         | <b>5030248</b>  |
| a. 120V/60 Hz Pepsi .....                        | 5027684         |
| b. 120V/60 Hz Quench .....                       | 5027685         |
| c. 120V/60 Hz 7UP .....                          | 5027687         |
| d. 120V/60 Hz RC .....                           | 5027688         |
| e. 120V/60 Hz Dr. Pepper .....                   | 5027689         |
| f. 100V/50 & 60 Hz Pepsi .....                   | 5030286         |
| g. 100V/50 & 60 Hz Quench .....                  | 5027691         |
| h. 100V/50 & 60 Hz 7UP .....                     | 5027693         |
| i. 100V/50 & 60 Hz RC .....                      | 5027694         |
| j. 100V/50 & 60 Hz Dr. Pepper .....              | 5027695         |
| k. 220V/50 Hz Pepsi .....                        | 5030287         |
| l. 220V/50 Hz Quench .....                       | 5027695         |
| m. 220V/50 Hz 7UP .....                          | 5027699         |
| n. 220V/50 Hz RC .....                           | 5027700         |
| o. 220V/50 Hz Dr. Pepper .....                   | 5027701         |
| p. 220V/60 Hz Pepsi .....                        | 5030288         |
| q. 220V/60 Hz Quench .....                       | 5027703         |
| r. 240V/60 Hz 7UP .....                          | 5027705         |
| s. 220V/60 Hz RC .....                           | 5027706         |
| t. 220V/60 Hz Dr. Pepper .....                   | 5027707         |
| u. 240V/50 Hz Pepsi .....                        | 5030289         |
| v. 240V/50 Hz Quench .....                       | 5027709         |
| w. 240V/50 Hz 7UP .....                          | 5027711         |
| x. 240V/50 Hz RC .....                           | 5027712         |
| y. 240V/50 Hz Dr. Pepper .....                   | 5027713         |
| z. 240V/60 Hz Pepsi .....                        | 5027713         |
| aa. 240V/60 Hz Quench .....                      | 5030290         |
| ab. 240V/60 Hz 7UP .....                         | 5027715         |
| ac. 240V/60 Hz RC .....                          | 5027717         |
| ad. 240V/60 Hz Dr. Pepper .....                  | 5027719         |
| <b>2 Tower Wrap GENII</b> .....                  | <b>5028160</b>  |
| <b>3 Key Switch</b> .....                        | <b>5000220</b>  |
| <b>4 Syrup/Water Line 33"</b> .....              | <b>5029299</b>  |
| <b>5 Manifold - Right Side</b> .....             | <b>5029301</b>  |
| <b>6 Manifold - Left Side</b> .....              | <b>5029300</b>  |
| <b>7 Male CPVC 3/4" Adapter</b> .....            | <b>1200101</b>  |
| <b>8 Tower Base Panel</b> .....                  | <b>5029028</b>  |
| <b>9 Rubber Drain Funnel</b> .....               | <b>5006933</b>  |
| <b>10 Drain Pan, Square Sloped Plastic</b> ..... | <b>5011501</b>  |
| <b>11 Grid for Square Drain Pan</b> .....        | <b>5011681</b>  |
| <b>12 Valve Mount Cap 8 Valves</b> .....         | <b>5011981</b>  |
| <b>13 Splash Panel, GENII</b> .....              | <b>5012721</b>  |
| <b>Miscellaneous - Brackets, Screw, Etc.</b>     |                 |
| <b>14 Screw, 8-32 x 3/8" Knurled</b> .....       | <b>00856704</b> |
| <b>15 Stainless Steel Flat Washer</b> .....      | <b>00850323</b> |
| <b>16 Fitting Restraint Bracket</b> .....        | <b>5029027</b>  |
| <b>17 Universal Tower Mount Bracket</b> .....    | <b>5028362</b>  |
| <b>18 Screw, 8-32 x 1/4" PH SS</b> .....         | <b>5012081</b>  |
| <b>19 Screw, 8-32 x 1/2"</b> .....               | <b>5011940</b>  |

## CT-8 Merchandiser



5030248

### DESCRIPTION

|   | <b>PART NO.</b> |
|---|-----------------|
| <b>1 Medallion</b>                                      |                 |
| a. Quench .....   | 5008056         |
| b. Pepsi .....  | 5008057         |
| c. Coke .....   | 5008058         |
| d. 7UP .....  | 5009624         |
| e. RC .....   | 5011478         |
| <b>2 21" Florescent Tube (F20)</b> .....                | 5006600         |
| <b>3 Ballast</b>  |                 |
| a. 115/60 .....   | 5008644         |
| b. 100/50/60 Export .....                               | 5000870         |
| c. 220/50 .....   | 5000348         |
| d. 220/60 .....   | 5000349         |
| e. 240/50 .....   | 5000350         |
| f. 240/60 .....   | 5000351         |
| <b>4 Merchandiser End Cap, Right Black</b> .....        | 5008727         |
| <b>5 Merchandiser End Cap, Left Black</b> .....         | 5008726         |
| <b>6 Electric Cord</b>                                  |                 |
| a. Domestic .....                                       | 5008642         |
| b. 100/220/240 Light Harness (Exports Only) .....       | 5007691         |
| <b>7 Starter Base</b> .....                             | 1001006         |
| <b>8 LEV FS2 Starter</b> .....                          | 1001005         |
| <b>9 End Light Socket</b> .....                         | 1001001         |
| <b>Miscellaneous - Brackets, Screw, Etc.</b>            |                 |
| <b>10 Screw 8-32 x 1/2" GRND Zinc</b> .....             | 5011936         |
| <b>11 Screw 8-32 x 1/2"</b> .....                       | 5011940         |
| <b>12 Cord Strain Relief Heyco Plug</b> .....           | 1200301         |
| <b>13 220/240 Ballast Bracket</b> .....                 | 5007868         |
| <b>14 Light Mount Bracket, Round</b> .....              | 5007734         |
| <b>15 Light Socket Bracket (Right &amp; Left)</b> ..... | 4340151         |
| <b>16 Screw 8-32 x 1/4" PH PS</b> .....                 | 5000974         |