

Parts Manual

Subject: FreshBlender Parts Manual

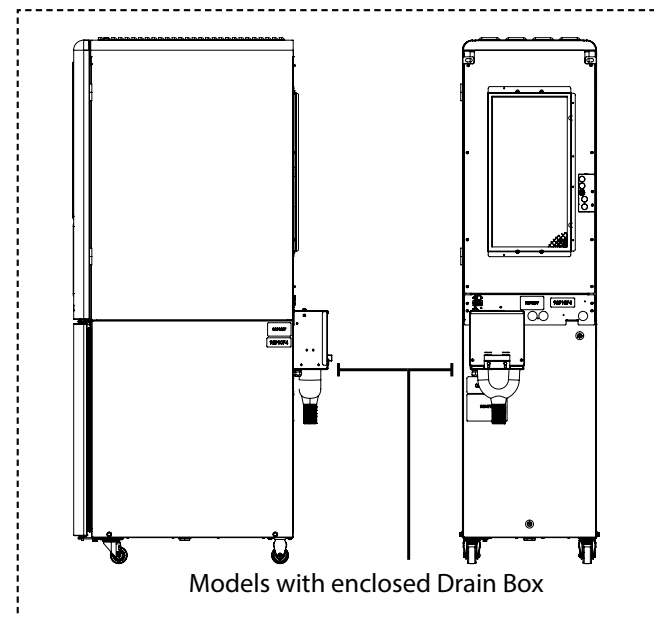
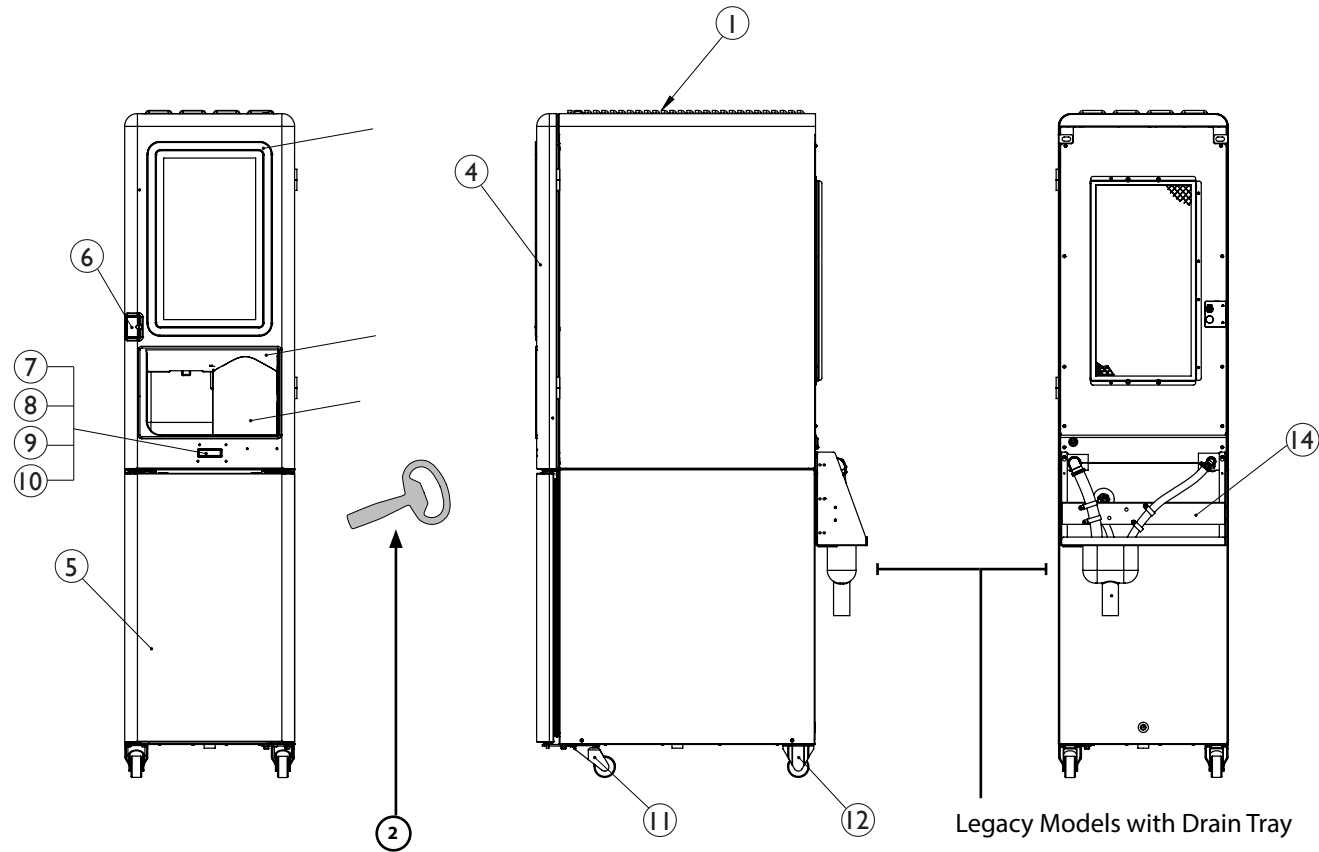
SCOPE: ALL FRESHBLEND MODELS

Contents

| | |
|---------------------------------------|----|
| Exterior | 2 |
| Panels, Base Door & Decals | 4 |
| Upper Door | 6 |
| Upper Frame Front | 8 |
| Upper Frame Rear Legacy | 10 |
| Enclosed Drain Box | 12 |
| Electrical Panel Parts | 14 |
| Stage Parts (View 1) | 16 |
| Stage Parts (View 2) | 18 |
| Blender Components | 20 |
| Plumbing Manifold - MAC Valves | 22 |
| Plumbing - RPE Valves | 24 |
| Plumbing Manifolds - RPE Valves | 26 |
| Advanced San Cleaning System | 28 |
| Ice Dispense | 30 |
| Ice Maker | 32 |
| Evaporator Assembly | 34 |
| Refrigeration Duct Assembly | 36 |
| Refrigerated Base View 1 | 38 |
| Refrigerated Base View 2 | 40 |
| Evaporator Coil | 42 |
| Refrigeration Systems | 44 |
| Water Filtration Wall Mount | 46 |
| Cleaning | 48 |



Exterior



| COLOR FINISH CHART | |
|--------------------|-------------------------|
| PN SUFFIX | COLOR |
| NONE | PANTONE 346C [HGN-0511] |
| -GRY | PMS 6C [SZ-142-5] |
| -BLU | PANTONE 297C [VZ-33-3] |
| -CRED | PMS 2347C [VZ-112-18] |
| -SEW | RAL9001 [VZ-155-6] |
| -CG11 | PMS 11C [UZ-33-2] |

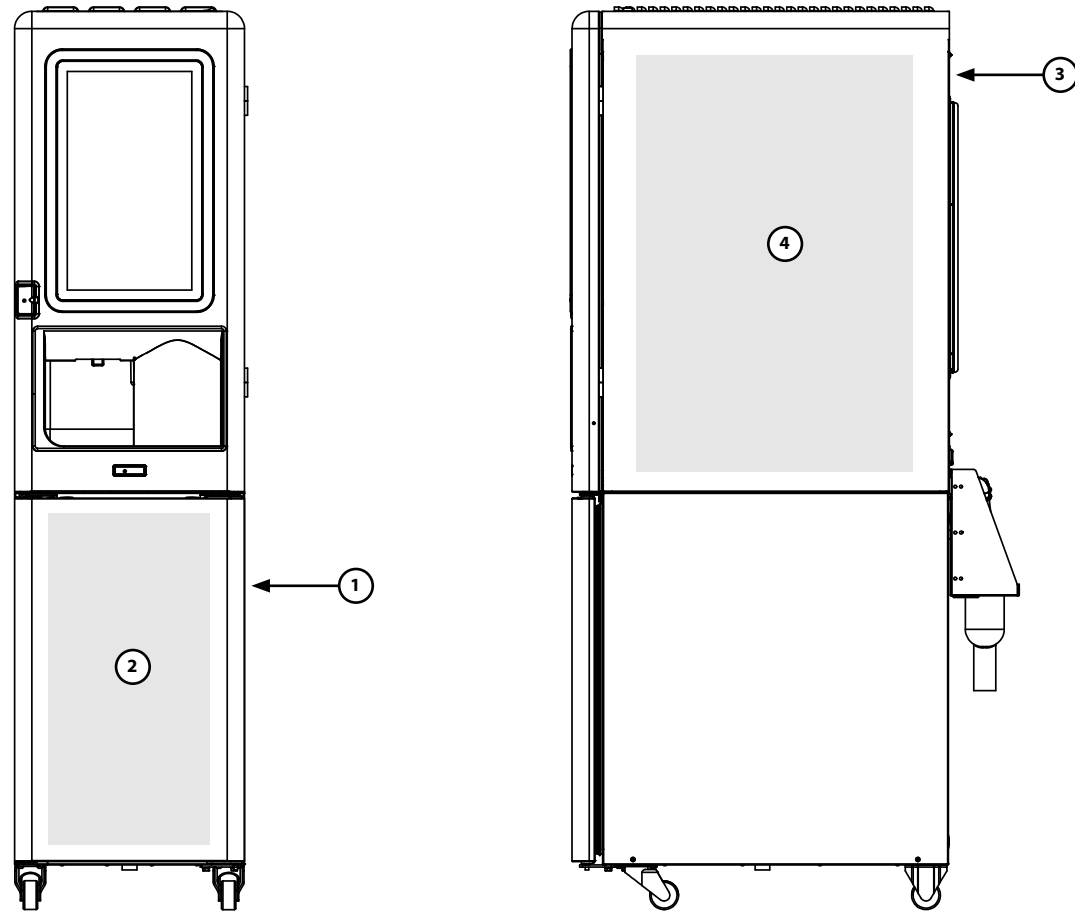
PARTS INSTRUCTIONS ARE APPLICABLE TO:

- WBL-92-026: PANEL TOP
- WBL-92-101: BASE EXTERNAL FRONT BOTTOM
- WBL-92-229: COVER DOOR CIP
- WBL-92-231: SKIN ASSY DOOR UPPER RH CIP
- WBL-92-238: PANEL SIDE WITH LOUVERS

Exterior

| # | Part # | Description | QTY | NOTE |
|-----|----------------|------------------------------------------------------------|-----|-------------------------------------------|
| 1 | WBL-92-026 | TOP EXTERIOR PANEL | 1 | Use color chart to order in correct color |
| 2 | WBL-95-136 | LATCH, DOOR KEY, 7MM TRIANGLE | 1 | |
| 4 | WBL-33-089-FRU | TOP DOOR ASSEMBLY GREEN | 1 | Color Pantone 346C |
| | WBL-33-489-FRU | KIT ASSY UPPER DOOR RH SEW (WARM WHITE) | 1 | Color RAL 9001 |
| 6 | WBL-33-036-FRU | DOOR LATCH ASSEMBLY | 1 | Complete assembly replacement kit |
| 6d | WBL-95-137 | LATCH, ROD CONTROLLER | 1 | |
| 6e | WBL-94-027 | KEY LOCK COVER PLATE | 1 | |
| 6f | WBL-94-026 | DOOR LOCK BLACK MOLDED PLATE ONLY | 1 | PART KEY COVER SNAPS INTO |
| 7 | WBL-88-005_FRU | ADA PCBA | 1 | |
| 8 | WBL-91-001 | ADA Button Label | 1 | |
| 9 | WBL-94-029 | ADA Front Cover | 1 | |
| 10 | WBL-94-030 | ADA Rear Cover | 1 | |
| 11 | WBL-95-098 | CASTER, SWIVEL | 1 | |
| 11A | 020008731 | CASTER BRAKE RETROFIT KIT | 1 | KIT FOR 2 CASTERS (CASTERS NOT INCLUDED) |
| 12 | WBL-95-097 | CASTOR, RIGID | 1 | |
| 14 | WBL-33-030 | Drain Tray Support | 1 | |
| 19 | WBL-33-064-FRU | CLEAR SPLASH SHIELD BLEND AREA | 1 | |
| 20 | WBL-94-054-FRU | OUTER BLACK FRAME AROUND DISPENSE BLEND AREAS | 1 | |
| 21 | WBL-94-033-FRU | DOOR DISPLAY BEZEL, BLACK PLASTIC FRAME FOR DISPLAY SCREEN | 1 | |

Panels, Base Door & Decals



| COLOR FINISH CHART | |
|--------------------|-------------------------|
| PN SUFFIX | COLOR |
| NONE | PANTONE 346C [HGN-0511] |
| -GRY | PMS 6C [SZ-142-5] |
| -BLU | PANTONE 297C [VZ-33-3] |
| -CRED | PMS 2347C [VZ-112-18] |
| -SEW | RAL9001 [VZ-155-6] |
| -CG11 | PMS 11C [UZ-33-2] |

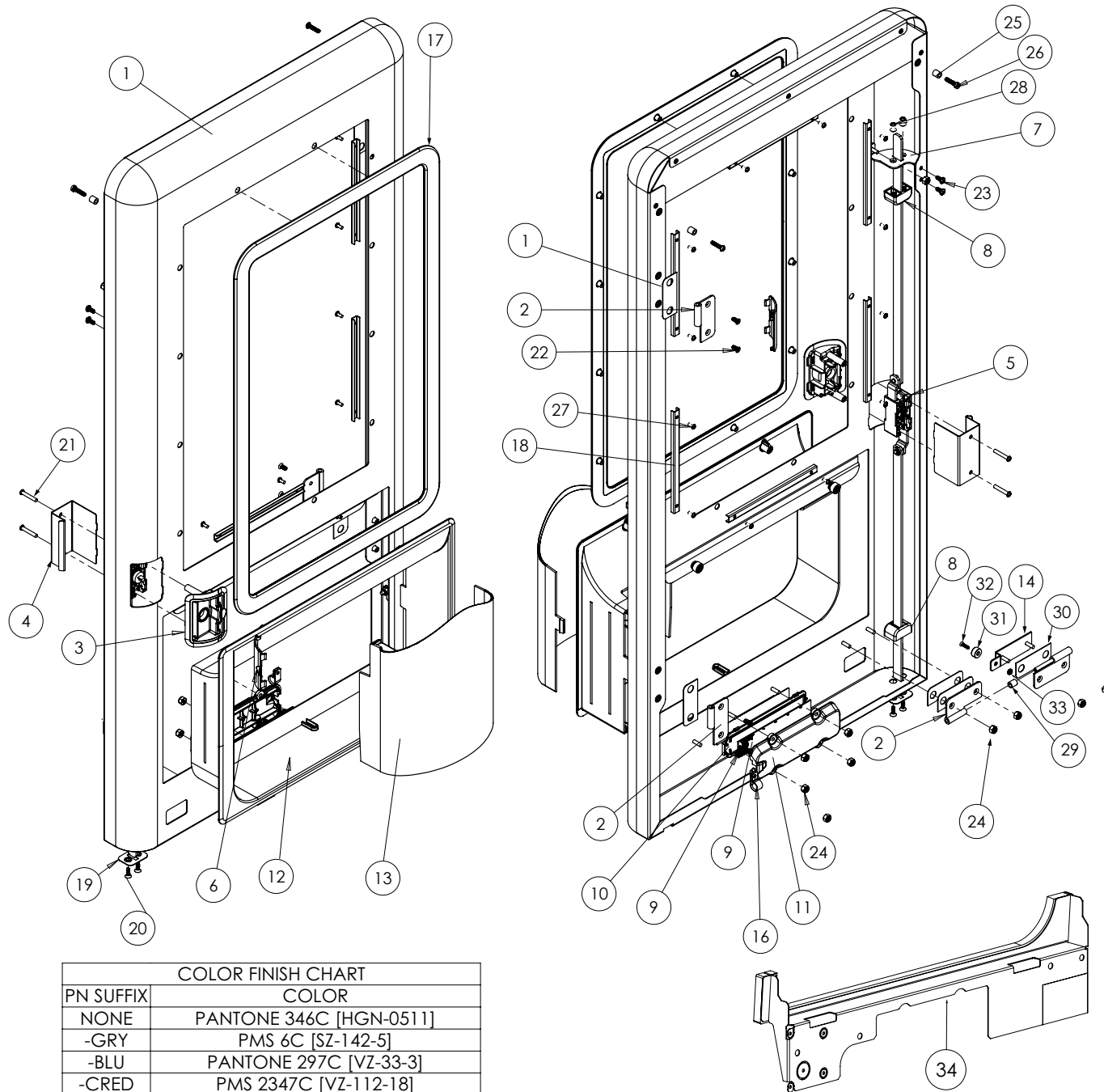
PARTS INSTRUCTIONS ARE APPLICABLE TO:

- WBL-92-026: PANEL TOP
- WBL-92-101: BASE EXTERNAL FRONT BOTTOM
- WBL-92-229: COVER DOOR CIP
- WBL-92-231: SKIN ASSY DOOR UPPER RH CIP
- WBL-92-238: PANEL SIDE WITH LOUVERS

Panels, Base Door & Decals

| # | Part # | Description | QTY | NOTE |
|-----------|---------------------------------------------|-----------------------------------------------|------------------|-------------------------------------------|
| 1 | 020009226 | BASE DOOR w/DECAL, KT GREEN | 1 | Complete door Painted Pantone 346C |
| | 020009227 | BASE DOOR w/DECAL, GREEN GEN MRKT | 1 | Complete door Painted Pantone 346C |
| | 020009230 | BASE DOOR w/DECAL CGS RED | 1 | Complete door Painted Pantone 2347C |
| 2 | 020009135 | DECAL FOR CABINET DOOR, GREEN GEN MRKT | 1 | vinyl decal only |
| | 020009134 | DECAL FOR CABINET DOOR, KT GREEN | 1 | vinyl decal only |
| | 020009129 | DECAL FOR CABINET DOOR, KT COOL GRAY | 1 | vinyl decal only |
| | 020009131 | DECAL FOR CABINET DOOR, WARM WHITE, SE | 1 | vinyl decal only |
| | 020009127 | DECAL FOR CABINET DOOR CGS RED | 1 | vinyl decal only |
| | 020009136 | DECAL FOR CABINET DOOR, BLUE | 1 | vinyl decal only |
| | 020009136 | DECAL FOR CABINET DOOR, BLUE | 1 | vinyl decal only |
| 3 | WBL-92-238 | PANEL SIDE WITH LOUVERS, NO DECAL | | Use color chart to order in correct color |
| | 020009220 | PANEL w/ LOUVERS & DECAL GEN MRKT GREEN | 1 | Painted Pantone 346C |
| | 020009221 | PANEL w/ LOUVERS & DECAL KT GREEN | 1 | Painted Pantone 346C |
| | 020009222 | PANEL w/ LOUVERS & DECAL WARM WHITE, SE | 1 | Painted Pantone RAL 9001 |
| | 020009223 | PANEL w/ LOUVERS & DECAL KT COOL GREY | 1 | Painted PMS 11C |
| | 020009224 | PANEL w/ LOUVERS & DECAL CGS RED | 1 | Painted Pantone 2347C |
| | 020009224 | PANEL w/ LOUVERS & DECAL CGS RED | 1 | Painted Pantone 2347C |
| 4 | WBL-97-103 | DECAL FOR FLAT SIDE PANEL, GREEN GEN MRKT | 1 | vinyl decal only |
| | 020009172 | DECAL FOR LOUVERED SIDE PANEL, GREEN GEN MRKT | 1 | vinyl decal only |
| | 020008730 | DECAL FOR FLAT SIDE PANEL CGT RED | 1 | vinyl decal only |
| | 020009126 | DECAL FOR LOUVERED SIDE PANEL CGT RED | 1 | vinyl decal only |
| | WBL-97-102 | DECAL FOR FLAT SIDE PANEL, KT GREEN | 1 | vinyl decal only |
| | 020009132 | DECAL FOR LOUVERED SIDE PANEL, KT GREEN | 1 | vinyl decal only |
| | 020009035 | DECAL FOR FLAT SIDE PANEL WARM WHITE, SE | 1 | vinyl decal only |
| | 020009130 | DECAL FOR LOUVERED SIDE PANEL WARM WHITE, SE | 1 | vinyl decal only |
| | 020009137 | DECAL FOR LOUVERED SIDE PANEL, BLUE | 1 | vinyl decal only |
| | 020008854 | DECAL FOR FLAT SIDE PANEL, KT COOL GRAY | 1 | vinyl decal only |
| 020009128 | DECAL FOR LOUVERED SIDE PANEL, KT COOL GRAY | 1 | vinyl decal only | |

Upper Door



| COLOR FINISH CHART | |
|--------------------|-------------------------|
| PN SUFFIX | COLOR |
| NONE | PANTONE 346C [HGN-0511] |
| -GRY | PMS 6C [SZ-142-5] |
| -BLU | PANTONE 297C [VZ-33-3] |
| -CRED | PMS 2347C [VZ-112-18] |
| -SEW | RAL9001 [VZ-155-6] |
| -CG11 | PMS 11C [UZ-33-2] |

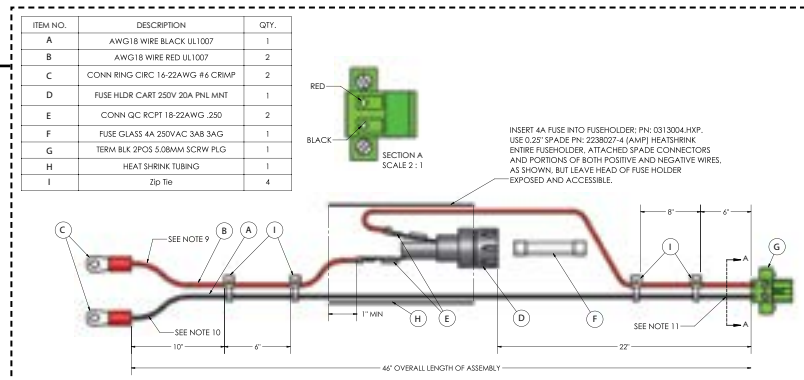
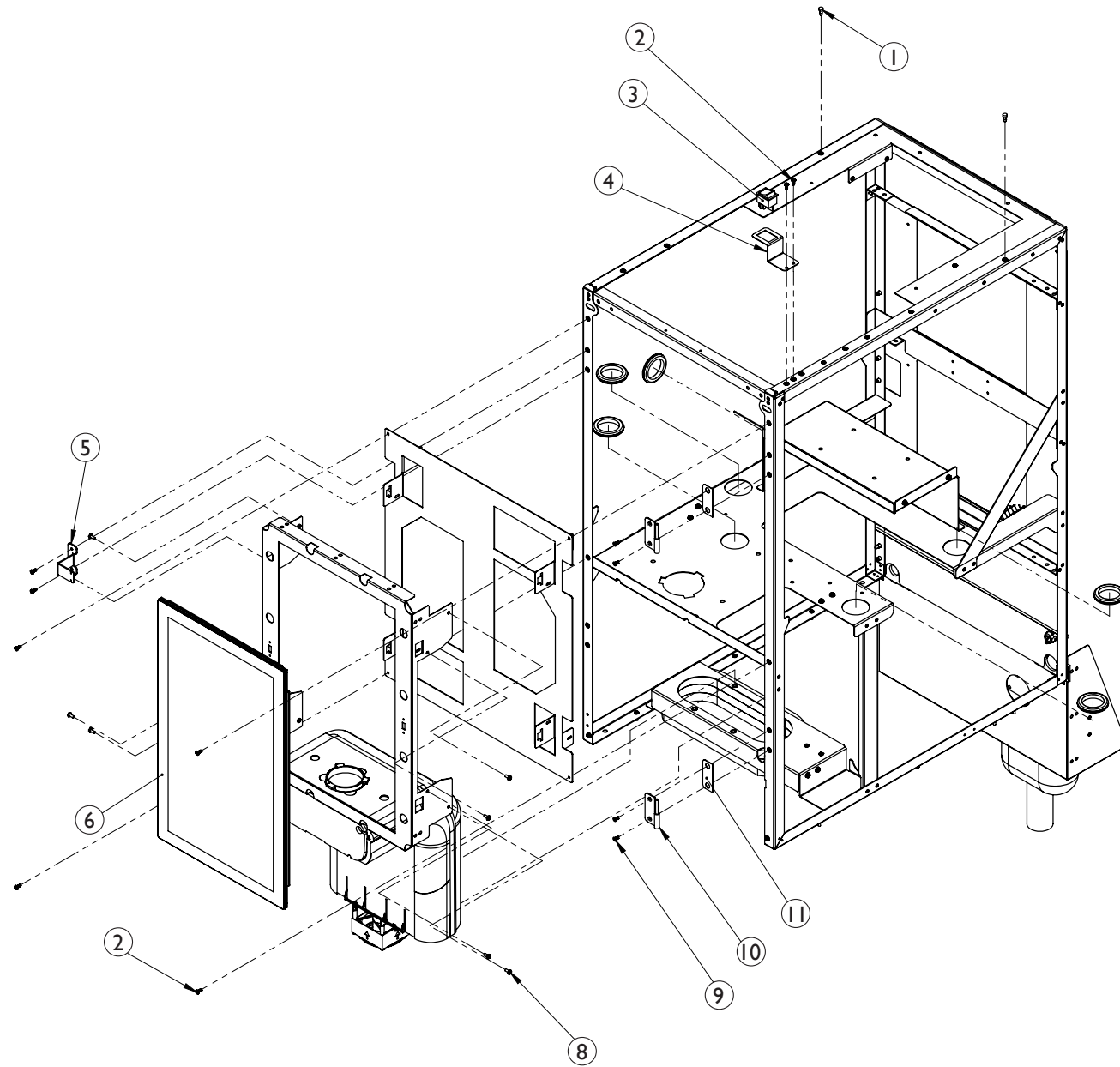
PARTS INSTRUCTIONS ARE APPLICABLE TO:

- WBL-92-026: PANEL TOP
- WBL-92-101: BASE EXTERNAL FRONT BOTTOM
- WBL-92-229: COVER DOOR CIP
- WBL-92-231: SKIN ASSY DOOR UPPER RH CIP
- WBL-92-238: PANEL SIDE WITH LOUVERS

Upper Door

| # | Part # | Description | QTY | NOTE |
|----|----------------|------------------------------------------------------------|-----|-----------------------------------------------------|
| | WBL-33-089-FRU | UPPER DOOR ASSEMBLY KIT | 1 | Complete door Painted Pantone 346C no splash shield |
| 1 | WBL-92-231 | SKIN, DOOR, UPPER, R HINGE | 1 | Use color chart to order in correct color |
| 2 | WBL-92-121 | HINGE SET (FEMALE CUSTOM) | 3 | |
| 3 | WBL-94-026 | DOOR LOCK SUPPORT | 1 | |
| 4 | WBL-92-118 | BRACKET, LOCK | 1 | |
| 5 | WBL-33-036-FRU | ASSEMBLY, FRONT DOOR LATCH KIT | 1 | full door latch assembly kit |
| 6 | WBL-94-027 | DOOR LOCK SUPPORT COVER | 1 | |
| 7 | - | ASSY, BRACKET, LOCK GUIDE | 1 | comes with door kit |
| 8 | - | DOOR LOCK ROD GUIDE | 1 | comes with door kit |
| 9 | WBL-88-005-FRU | CONTROL, ADA, FIRMWARE ASSEMBLY | 1 | complete ADA assembly kit |
| 10 | - | COVER, FRONT, ADA KEYPAD | 1 | comes with ADA kit |
| 11 | - | COVER, BACK, ADA KEYPAD | 1 | comes with ADA kit |
| 12 | - | PLASTIC SHIELD FRAME, FRONT DOOR | | comes with door kit |
| 13 | WBL-33-064-FRU | ASSY, FRONT DOOR BLENDER SPLASH SHIELD | 1 | window with magnet |
| 14 | WBL-92-122 | SHIM, DOOR HINGE | 5 | sold 1 each |
| 15 | - | LABEL, ADA KEYPAD | 1 | complete ADA assembly kit |
| 16 | - | CABLE CLAMP P-TYPE FASTENER 0.375" (9.52mm) | 3 | |
| 17 | WBL-94-033 | BEZEL, DISPLAY, OVERMOLDED | 1 | included with door kit |
| 18 | - | BEZEL HOLDING FRAME | 6 | included with door kit |
| 19 | - | COUNTERSINK PLATE | 2 | included with door kit |
| 20 | - | SCREW, THREAD FORMING, FLAT HEAD, #8 X 1/2" 2 | 2 | |
| 21 | - | SCREW, HI-LOW #8-18 X 1", PAN HEAD 2 | 2 | |
| 22 | - | SCREW, FLAT HEAD, 100 DEG, 8-32 PHILLIPS 5 | 5 | |
| 23 | - | SCREW, 8-32 X 3/8", PAN HEAD, PHILLIPS 2 | 2 | |
| 24 | - | LOCKNUT, 8-32, NYLON INSERT 12 | 12 | |
| 25 | - | SPACER, #8 X 5/16" OD X 11/32" LONG, ROUND 2 | 2 | |
| 26 | - | SCREW, 8-32 X 3/4" LONG, ROUND HEAD, PHILLIPS 2 | 2 | |
| 27 | - | SCREW, #6 X 5/16" LONG, ROUNDED HEAD, THREAD FRMG SCREW 12 | 12 | |
| 28 | - | THREAD FORMING SCREW FOR PLASTIC #8 X 3/8" 2 | 2 | |
| 29 | - | BUSHING, 5/16" OD, .19" ID, 3/8" L, NYLON, WHT 1 | 1 | |
| 30 | - | COVER, DOOR, CIP 1 | 1 | |
| 31 | - | MAGNET, 1/2" OD, #5 SCREW HOLE, 1/4" THK 1 | 1 | |
| 32 | - | SCREW, 5-40, 1/2" L, CNTSNK, #2 PHLP, 18-8 1 | 1 | |
| 33 | - | NUT, LOCK, 5-40 THRD, 1/4" HEX, 7/64" THK, ZINC 1 | 1 | |
| 34 | 020009518-FRU | STAGE/DOOR GASKET ASSY | 1 | |

Upper Frame Front

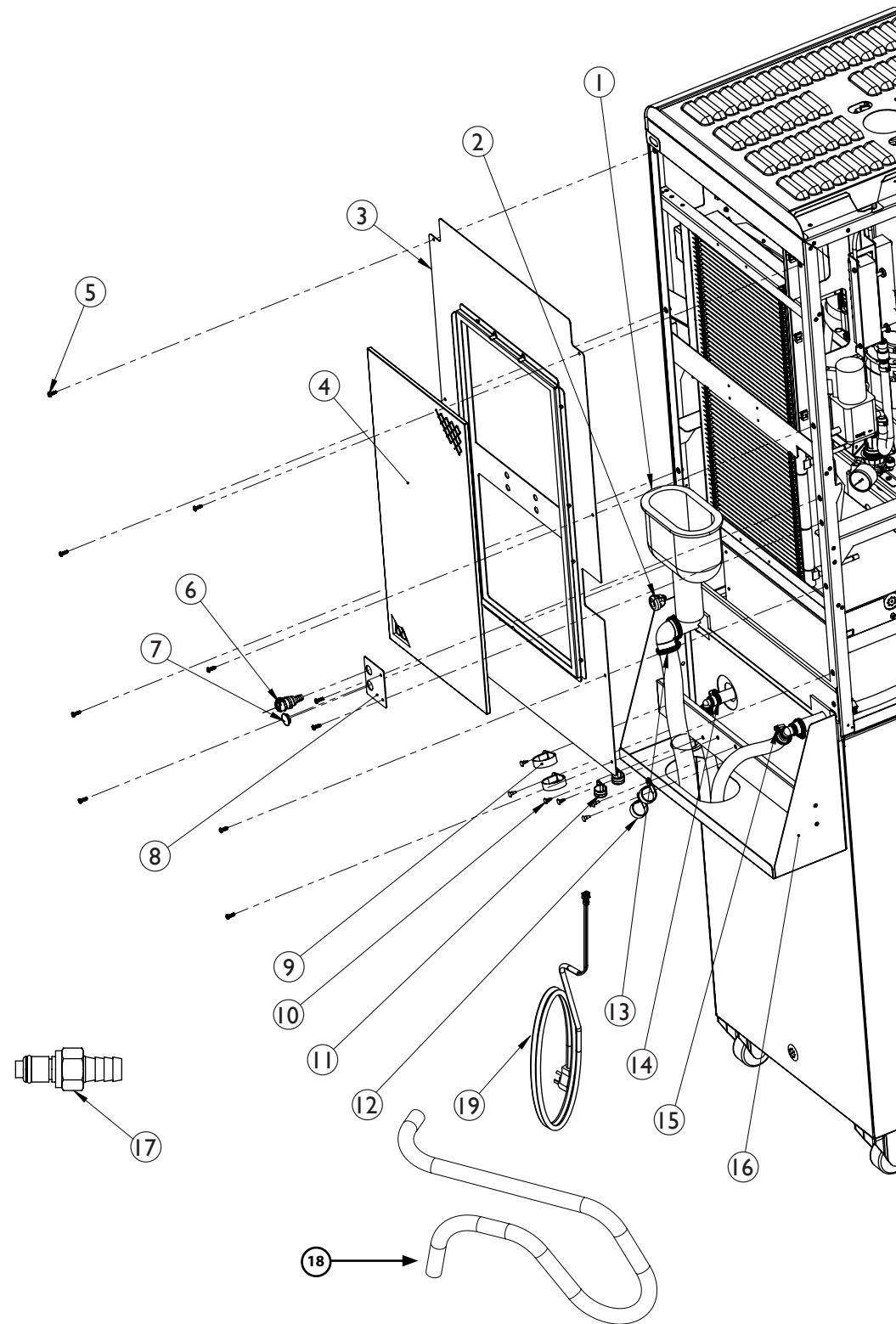


Upper Frame Front

| # | Part # | Description | QTY | NOTE |
|----|---------------|----------------------------------------------------------------------|-----|----------------------------------------|
| 1 | - | SHLDR SCREW 3/16 X 1/4 LG #8-32 | 2 | |
| 2 | - | SCREW, 8-32 X 3/8", PAN HEAD, PHILLIPS | 8 | |
| 3 | 2194400 | POWER ROCKER SWITCH - 120/250VAC | 1 | 20amp @120V, 15 amp @ 250V |
| 4 | - | BRACKET, POWER ROCKER SWITCH | 1 | |
| 5 | WBL-92-123 | BRACKET, TOP DOOR LOCK | 1 | |
| 6 | 020009142-FRU | REPLACEMENT TOUCHSCREEN (AVS) ASSEMBLY | 1 | replaces Kristel screen |
| 7 | 020009151 | POWER HARNESS (AVS) 24V POWER FROM SUPPLY TO SCREEN WITH INLINE FUSE | 1 | AVS screen only, comes with new screen |
| - | WBL-93-090 | 12V POWER SUPPLY, TOUCHSCREEN (KRYSTAL ONLY) | 1 | do not use on AVS screen |
| - | WBL-93-089 | 120VAC POWER CABLE TO SUPPLY, TOUCHSCREEN (KRYSTAL ONLY) | 1 | for use on Kristel Screen Supply only |
| 8 | - | FLANGED HEX HEAD SCREWS WITH SLOTTED DRIVE, 8-32 x 3/8", 18-8 SS | 8 | |
| 9 | - | SCREW, FLAT HEAD COUNTERSINK, 100 DEG, 8-32 THREAD, 3/8" | 4 | |
| 10 | WBL-92-102 | MALE HINGE, CUSTOM | 2 | |
| 11 | WBL-92-122 | SHIM, DOOR HINGE | 2 | |

Upper Frame Rear Legacy

Models FB081TF-R-GEN1, [FB08ETF-R-GEN1](#), FB081TF-R-AC10, FB081TF-R-KWIK

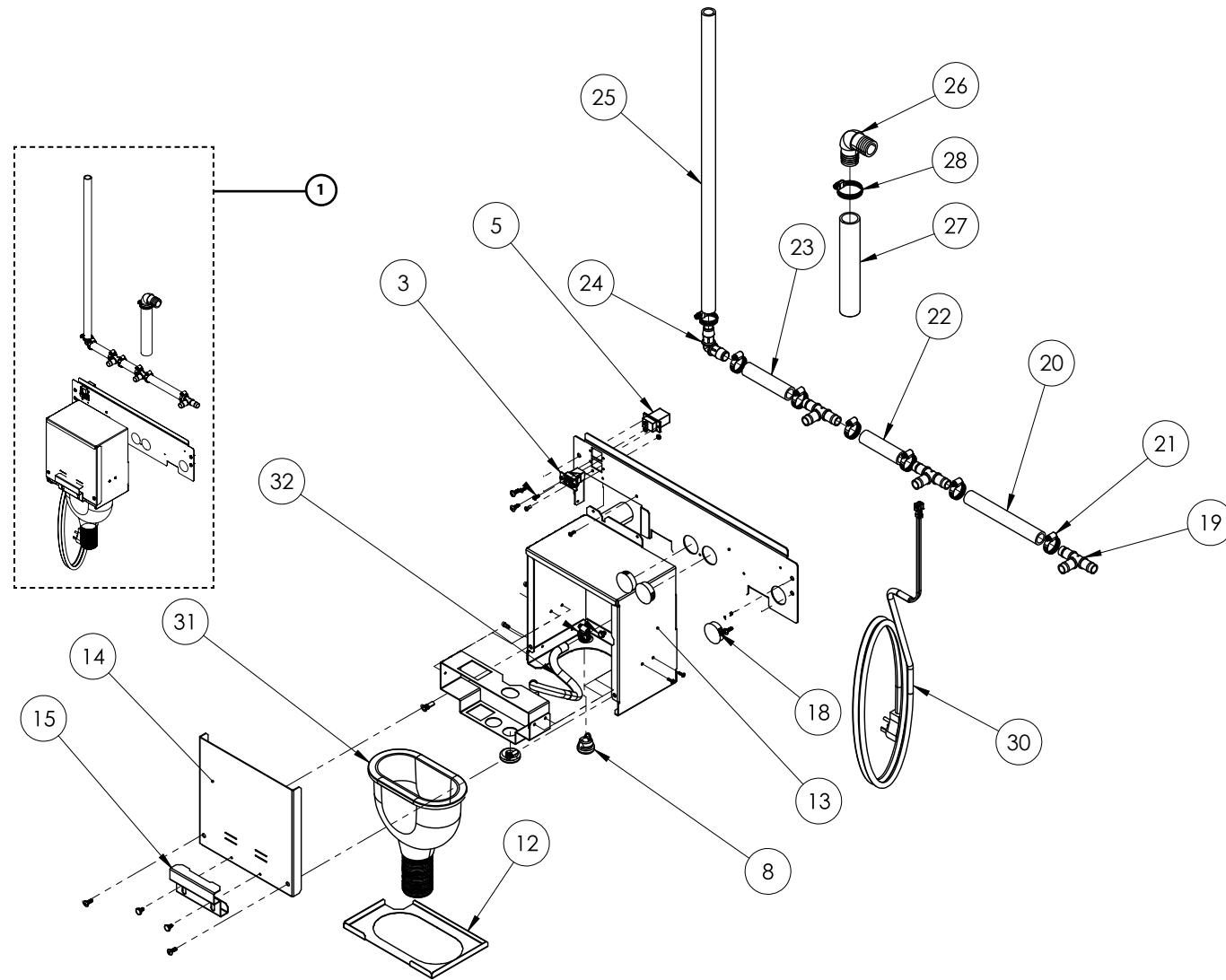


Upper Frame Rear Legacy

Models FB081TF-R-GEN1, [FB08ETF-R-GEN1](#), FB081TF-R-AC10, FB081TF-R-KWIK

| # | Part # | Description | QTY | NOTE |
|----|----------------------------|--------------------------------------------------------------------|-----|--------------------------------------------|
| 1 | 1708934 | MINIATURE DROP-IN SINK | 1 | |
| 2 | 2194697 | STRAIN RELIEF BUSHING | 1 | |
| 3 | - | ASSEMBLY, REAR PANEL | 1 | OBSOLETE |
| 4 | WBL-97-098 | AIR FILTER | 1 | fits all models |
| 5 | WBL-99-020 | SCREW, PH PHILLIPS, 8-32 THRD, 1/2" L, NYLON PATCH | 10 | 1 each |
| 6 | WBL-96-063 | FEMALE QUICK CONNECT COUPLING - 0.375" | 1 | incomming 3/8 water line connection |
| 7 | - | BUSHING,GROMMET,PLUG,11/16 IN ID,BLACK | 1 | |
| 8 | - | BRACKET, WATER QUICK CONNECT | 1 | |
| 9 | - | CLAMP, 1.5" ID, PLASTIC, LOOP | 2 | |
| 10 | WBL-96-123 | RIVET, PERMANENT PUSH-IN, 0.217" HOLE SIZE, BLK | 6 | 1 each |
| 11 | - | CLAMP, 3/4" ID, PLASTIC, LOOP | 2 | |
| 12 | WBL-96-120 | CLAMP, 1" ID, PLASTIC, LOOP | 2 | 1 each |
| 13 | WBL-96-077 | CLAMP, WORM DRIVE, 15/16"-1 1/2" | 2 | 1 each |
| 14 | WBL-96-012 | CLAMP, WORM DRIVE, 7/16"-25/32" | 2 | 1 each |
| 15 | - | CLAMP, WORM DRIVE, 9/16" - 11/16" | 2 | |
| 16 | - | ASSEMBLY, DRAIN TRAY | 1 | OBSOLETE |
| 17 | MCP00246 | MALE QUICK-DISCONNECT, METAL | 1 | incomming 3/8 water line connection |
| - | MCP00262 | O-RING FOR QUICK DISCONNECT 5/16 X 7/16 (DASH 011) (.3125 X .4375) | 1 | also fits plastic version of the connector |
| 18 | 020008729 | EVAPORATOR DRAIN RETROFIT KIT | 1 | |
| 19 | 2183849 | CORD/PLUG,12/3,5-20P,10 | 1 | |
| - | 020009306 | PLUG WITH CORD 250V AUSTR, 3-PIN, 15 AMP, AS3112 | 1 | |
| - | 020008864 | PLUG WITH CORD 220V/50HZ R290 | 1 | |

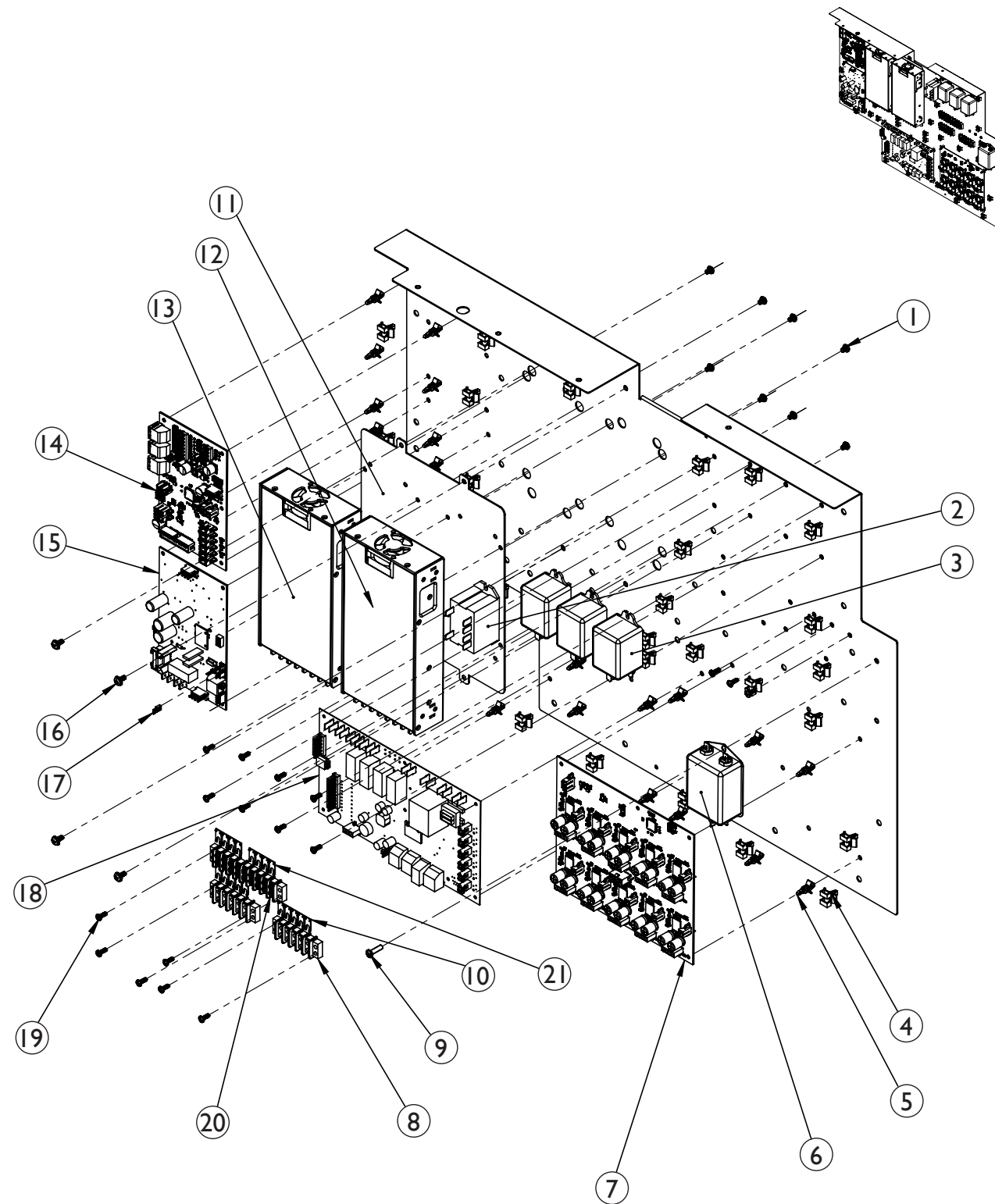
Enclosed Drain Box



Enclosed Drain Box

| # | Part # | Description | QTY | NOTE |
|----|--------------|-----------------------------------------------------|-------|------------------|
| 1 | 020008824 | COMPLETE DRAIN BOX ASSEMBLY RETROFIT KIT (USA PLUG) | 1 | |
| 3 | 020009147 | RJ45 KIT WITH COUPLER, SCREWS AND NUTS | 1 | |
| - | 020008839 | COMMUNICATION CABLE, CABLE CAT 5 UTP 2 METER | 1 | |
| 5 | 020009146 | RJ12 KIT WITH COUPLER AND SELF TAPPING SCREWS | 1 | |
| 8 | 2194697 | BUSHING STRAIN RELIEF #1247 | 1 | |
| 12 | 020008763 | BRKT,CARRAGE,DRAIN,FRESH BLEND | 1 | |
| 14 | - | COVER, DRAIN, FRESH BLEND | 1 | |
| 15 | 025-CDU-001F | HANDLE,DRAIN ACCESS,BIC MF | 1 | |
| 18 | - | PLUG, PANEL, SNAP-IN, FOR 1-1/4 ID, 0.13 MAX THK | 3 | |
| 19 | WBL-96-080 | FITTING, TEE CONNECTOR, 5/8" TUBING | 3 | |
| 20 | WBL-96-085 | TUBING, 5/8"ID X 7/8"OD, PVC | 6.25" | sold by the foot |
| 21 | - | CLAMP, WORM DRIVE, 9/16"-1 1/16" | 12 | |
| 22 | WBL-96-085 | TUBING, 5/8"ID X 7/8"OD, PVC | 3.25" | sold by the foot |
| 23 | WBL-96-085 | TUBING, 5/8"ID X 7/8"OD, PVC | 3.75" | sold by the foot |
| 24 | WBL-96-082 | FITTING, 90 DEGREE ELBOW, 5/8" | 1 | |
| 25 | WBL-96-085 | TUBING, 5/8"ID X 7/8"OD, PVC | 22.5" | sold by the foot |
| 26 | - | FITTING,ELBOW,1.0 IN BARB,PLASTIC | 1 | |
| 27 | WBL-96-132 | TUBING, 1"ID X 1-1/4"OD, PVC | 7" | sold by the foot |
| 28 | WBL-96-077 | CLAMP, WORM DRIVE, 15/16"-1 1/2" | 1 | |
| 30 | 2183849 | CORD/PLUG,12/3,5-20P,10 | 1 | |
| - | 020009306 | PLUG WITH CORD 250V AUSTR, 3-PIN, 15 AMP, AS3112 | 1 | |
| - | 020008864 | PLUG WITH CORD 220V/50HZ R290 | 1 | |
| 31 | WBL-96-042 | SINK, OVAL CUP, W39030-150 | 1 | |
| - | 1708934 | SINK, WITH SPICKET ADAPTER | 1 | |
| 32 | 020008804 | TRAP, DRAIN, EVAPORATOR | 1 | |

Electrical Panel Parts



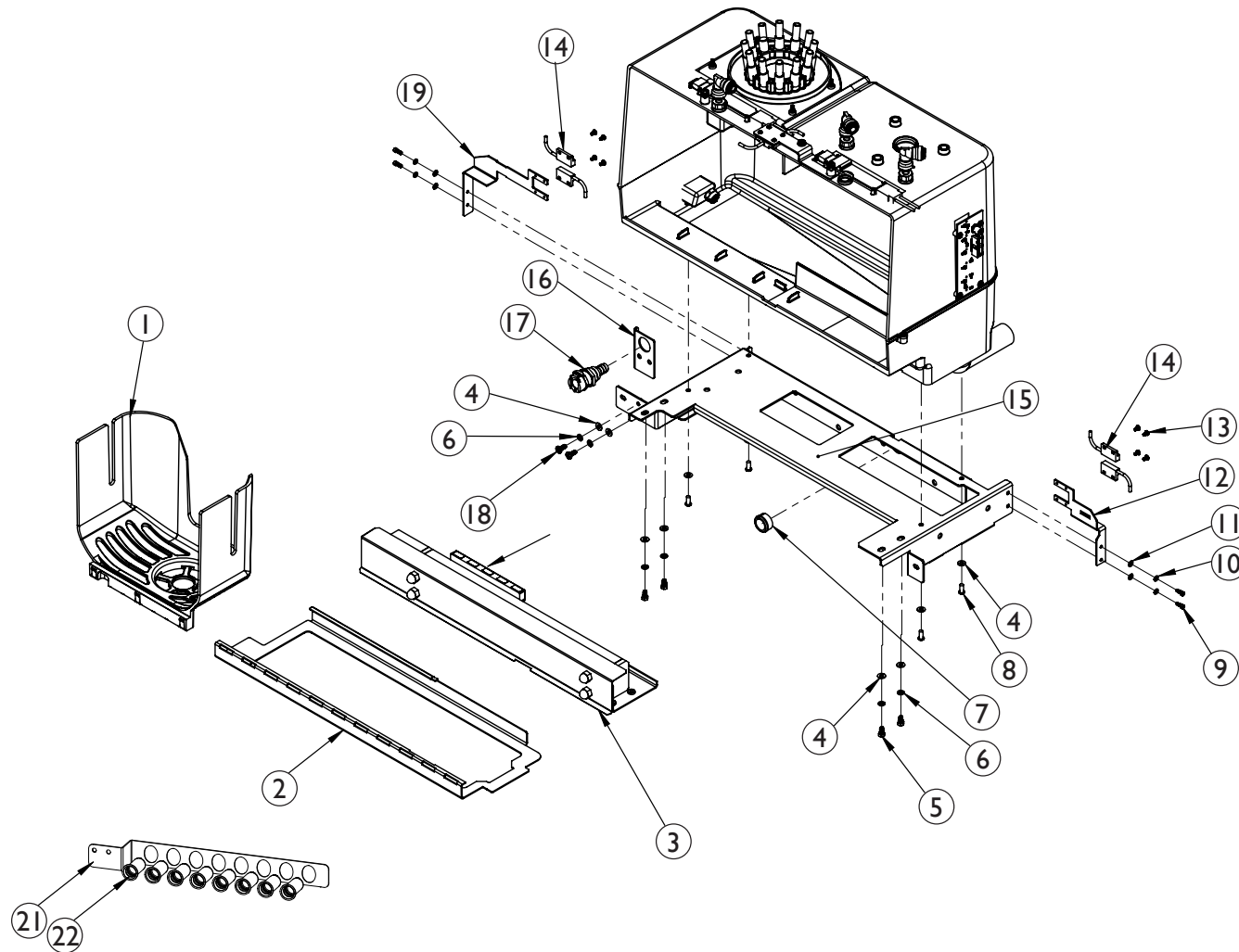
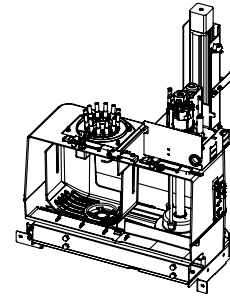
Electrical Panel Parts

| # | Part # | Description | QTY | NOTE |
|----|------------|---------------------------------------------|-----|------------------------------------|
| 1 | WBL-99-105 | SCREW, M4, 5mm, PAN HEAD, PHILLIPS | 8 | |
| 2 | 2195088 | MAIN POWER RELAY 120V DPST-NO 100/120VAC QC | 1 | for 120VAC units |
| | 2195307 | MAIN POWER RELAY 220V HEAVY DUTY | 1 | for 220VAC units |
| 3 | 2196069 | RELAY, 35AMP, DPST-NO, 24VDC | 3 | |
| 4 | - | PUSH BARB TIE MOUNT, 1/4IN HOLE | 31 | |
| 5 | WBL-99-064 | 1/4IN LONG MALE SNAP-IN SPACER | 23 | |
| 6 | 2195311 | FILTER, LINE, SCHAFFNER FN2060-20-06 | 1 | |
| 7 | WBL-88-004 | PCBA, STEPPER MOTOR BOARD | 1 | |
| 8 | - | BARRIER TERMINAL BLOCK, 5P, SCREW TERMINAL | 2 | |
| 9 | - | SCREW, 8-32, 5/8IN, PAN HEAD, PHILLIPS | 1 | |
| 10 | - | TERMINAL JUMPER, EDGEON SQUARE 5P | 2 | |
| 11 | - | BRACKET, POWER SUPPLIES | 1 | |
| 12 | WBL-97-097 | POWER SUPPLIES OUTPUT 36V | 1 | |
| 13 | WBL-97-096 | POWER SUPPLIES OUTPUT 24V | 1 | |
| 14 | WBL-88-003 | PCBA, CONTROL, AUX BOARD, TFB | 1 | |
| - | WBL-93-044 | AUX USB CABLE, USB A TO MINI USB, 2 FT | 1 | USB cable AUX to screen connection |
| 15 | 020009037 | PCBA, CONTROL, MIXER BOARD KIT WITH JUMPER | 1 | |
| - | 2193015 | FUSE- MIXER BOARD, 5AMP 250V,UL,KC,CE | 1 | located on the mixer board |
| 16 | - | SCREW, 8-32 X 3/8", PAN HEAD, PHILLIPS | 4 | |
| 17 | WBL-93-072 | MIXED PCB CONNECTOR JUMPER (J9) | 1 | 2 pin jumper for mixer board |
| 18 | 2195293 | PCBA, CONTROL, SRB BOARD, BIC | 1 | |
| | 8073592 | FUSE- SLOW BLOW, 2 AMP | 2 | CIP 24V Negative inline fuse |
| - | 2187145 | RJ45 & RJ12 COMM CABLE KIT | 1 | RJ12 X 2 & RJ45 CAT5 X 1 included |
| 19 | WBL-96-059 | SCREW, 6-32, 3/8IN, RND HEAD, PHILLIPS | 17 | 1 each |
| 20 | - | BARRIER TERMINAL BLOCK, 9P, SCREW TERMINAL | 1 | |
| 21 | - | TERMINAL JUMPER, EDGEON SQUARE 9P | 2 | |

PART NOTES

Cables/harnesses have labels with part numbers.

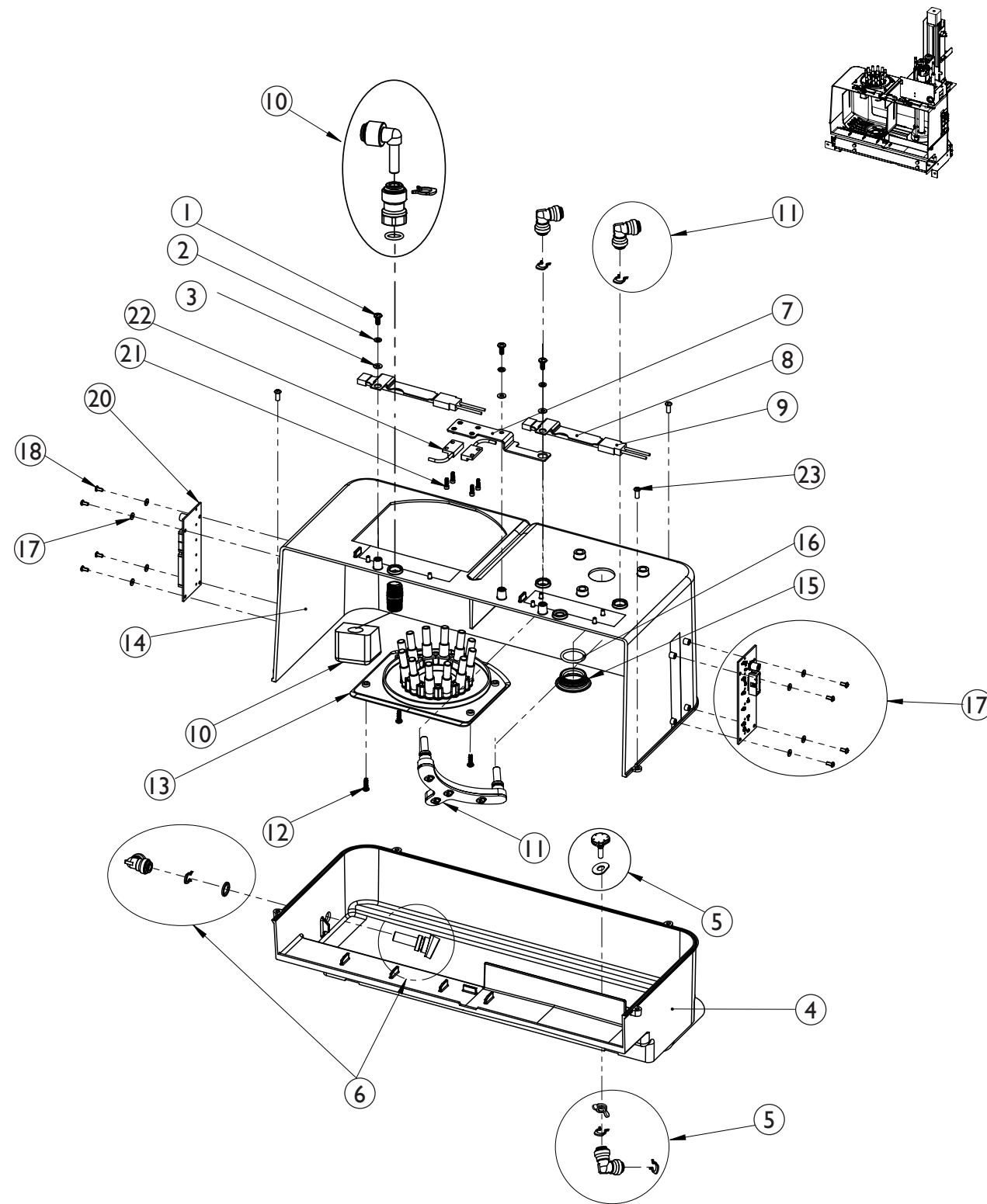
Stage Parts (View 1)



Stage Parts (View 1)

| # | Part # | Description | QTY | NOTE |
|----|--------------------------------|--------------------------------------------------------------------|-----|--------------------------------------------------------------------|
| 1 | WBL-33-014-FRU | SHUTTLE ASSEMBLY, CURRENT PRODUCTION | 1 | from July 2021 MFG, SN 650142759 and up |
| | 020009168 | SHUTTLE ASSEMBLY, LEGACY UNITS | 1 | June 2021 MFG, SN 650142758 and prior |
| 2 | WBL-92-203 | SHUTTLE RAIL | 1 | |
| 3 | WBL-33-020-FRU | SHUTTLE ACTUATOR COMMON ASSEMBLY, WITH CURRENT PRODUCTION MAGNETS. | 1 | matches shuttle WBL-33-014-FRU |
| | WBL-97-033 | SHUTTLE ACTUATOR WITHOUT MAGNETS | 1 | fits all units, swap existing magnets onto actuator when replacing |
| 4 | WBL-99-084 | DIN 125 A (ST.ST.) M4 FLAT WAS | 10 | 1 each |
| 5 | - | SCREW, MACHINE, 8-32, 5/16IN, HEX HEAD | 4 | |
| 6 | - | WASHER, SPRING, M4, SS | 6 | |
| 7 | - | GROMMET, SPLIT LOCKING, BLACK, 3/4ID | 1 | |
| 8 | - | SCREW, THRD FORM, #8, 3/8IN, SS, RND HEAD | 4 | |
| 9 | - | SCREW, 4-40, 5/16IN, SS, SOCKET HEAD | 4 | |
| 10 | - | WASHER, SPRING, M3, SS | 4 | |
| 11 | - | WASHER, FLAT, M3, SS | 4 | |
| 12 | WBL-33-060-FRU | REED SWITCHES ASSY, BLENDER SIDE | 1 | full set with bracket |
| 13 | - | SCREW, 4-40, 3/16IN, SS, PHILLIPS | 8 | |
| 14 | 2160033 | REED SWITCH | 4 | single reed switch, replace in pairs |
| 15 | - | STAGE BASE | 1 | |
| 16 | - | FRONT SIDE SANITATION FITTING BRACKET | 1 | |
| 17 | WBL-96-063 | PANEL MOUNT FEMALE COUPLING - 0.375" | 1 | for CIP hose connection |
| 18 | - | SCREW, 8-32 X 3/8", PAN HEAD, PHILLIPS | 2 | |
| 19 | WBL-33-056-FRU | REED SWITCHES ASSY, DISPENSER SIDE | 1 | full set with bracket |
| 20 | WBL-33-015-FRU | SHUTTLE ACTUATOR PLATE, WITH CURRENT PRODUCTION MAGNETS | 1 | matches shuttle WBL-33-014-FRU |
| | 020009264 | SHUTTLE ACTUATOR PLATE, WITH LEGACY UNIT MAGNETS | 1 | matches shuttle 020009168 |
| 21 | 020009177 | BRACKET, RINSE CAP HOLSTER | 1 | |
| 22 | 020009173 | SANITATION FITTING RINSE CAP (1 CAP ONLY) | 1 | |

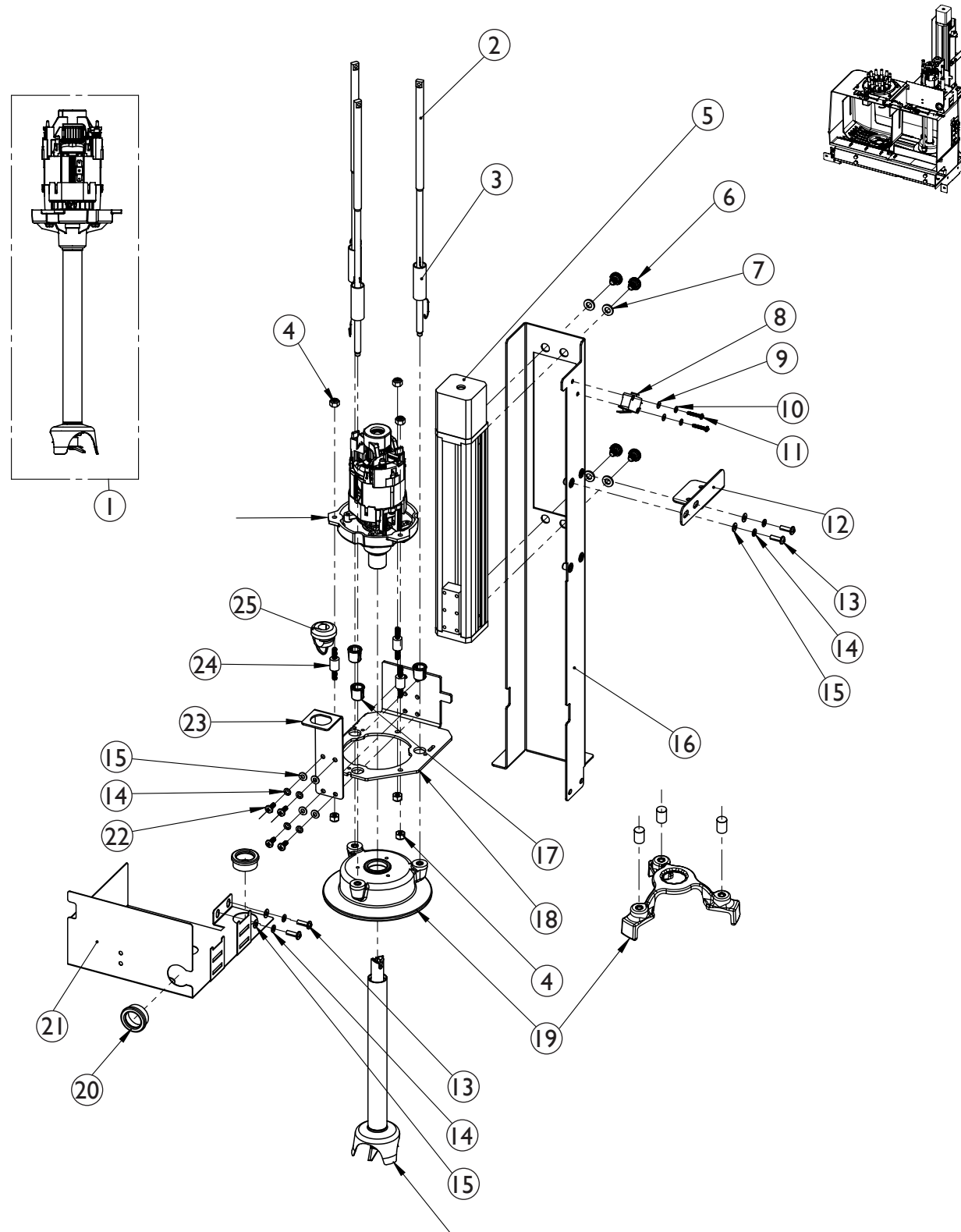
Stage Parts (View 2)



Stage Parts (View 2)

| # | Part # | Description | QTY | NOTE |
|----|----------------|--------------------------------------------|-----|-------------------------------------------------|
| 1 | - | SCREW, 8-32 X 3/8", PAN HEAD, PHILLIPS | 3 | |
| 2 | - | WASHER, SPRING, M4, SS | 3 | |
| 3 | WBL-99-084 | WASHER, FLAT, M4, SS | 3 | 1 each |
| 4 | WBL-94-052 | DRAIN TRAY, DISPENSE AND BLEND ASSY | 1 | |
| | WBL-94-010 | DRAIN TRAY ELBOW, 1" OD | 1 | |
| 5 | 020009042 | BLADE RINSE FLAT NOZZLE KIT, ECOBLEND | 1 | for ecoblend only |
| | 020009883 | BLADE RINSE CONE NOZZLE KIT, BLK CUP COVER | 1 | for units with black cup cover only |
| 6 | 020009040 | DRAIN RINSE NOZZLE KIT, ECOBLEND | 1 | for use with all units |
| 7 | - | BRACKET, FRONT DOOR REED SWITCH | 1 | |
| 8 | WBL-93-014 | ASSY, LED STRIP | 2 | |
| 9 | - | STAGE LEDS STRIP HOLDER | 2 | |
| 10 | 020008801 | DISPENSE RINSE NOZZLE KIT, BLOCK STYLE | 1 | |
| | WBL-96-041 | O-RING, 012, EPDM, BLACK | 1 | |
| 11 | 020009041 | SHAFT RINSE NOZZLE KIT, ECOBLEND | 1 | for use with all units |
| | WBL-96-141 | NOZZLE ONLY BLENDER SHAFT TX1001 CLR | 1 | |
| 12 | WBL-99-097 | SCREW, THRD FORM, #8, SS, 1/2IN, RND HEAD | 4 | 1 each |
| 13 | WBL-33-050-FRU | ASSY, 12 PORT DISPENSE HEAD NOZZLES | 1 | complete assembly with LMS valves |
| | WBL-96-107-FRU | LMS VALVES, 12 PC | 12 | full LMS valve replacment kit |
| 14 | WBL-94-051 | STAGE TOP, DISPENSE AND BLEND | 1 | |
| 15 | 000-BIC-0088-S | BLEND CHAMBER BUSHING W/ O-RING | 1 | |
| 16 | 3235170 | O-RING, 1.068IN OD, 0.862IN ID, 3/32 THK | 1 | |
| 17 | WBL-93-010-FRU | CUP DETECTION KIT | 1 | complete replacement kit |
| | WBL-93-010 | IR CUP DETECTION, TRANSMITTER | 1 | board only |
| | WBL-93-011 | IR CUP DETECTION, RECEIVER | 1 | board only |
| 21 | - | SCREW, 4-40, 3/8IN, SCKT CAP | 4 | |
| 22 | 2160033 | REED SWITCH | 2 | door reed switches, replace in pairs |
| 23 | - | SCREW, THRD FORM, #8, 3/8IN, SS, RND HEAD | 4 | |
| | WBL-40-002 | ECOBLEND RETROFIT KIT | 1 | full ecoblend kit with all nozzles & cup holder |

Blender Components

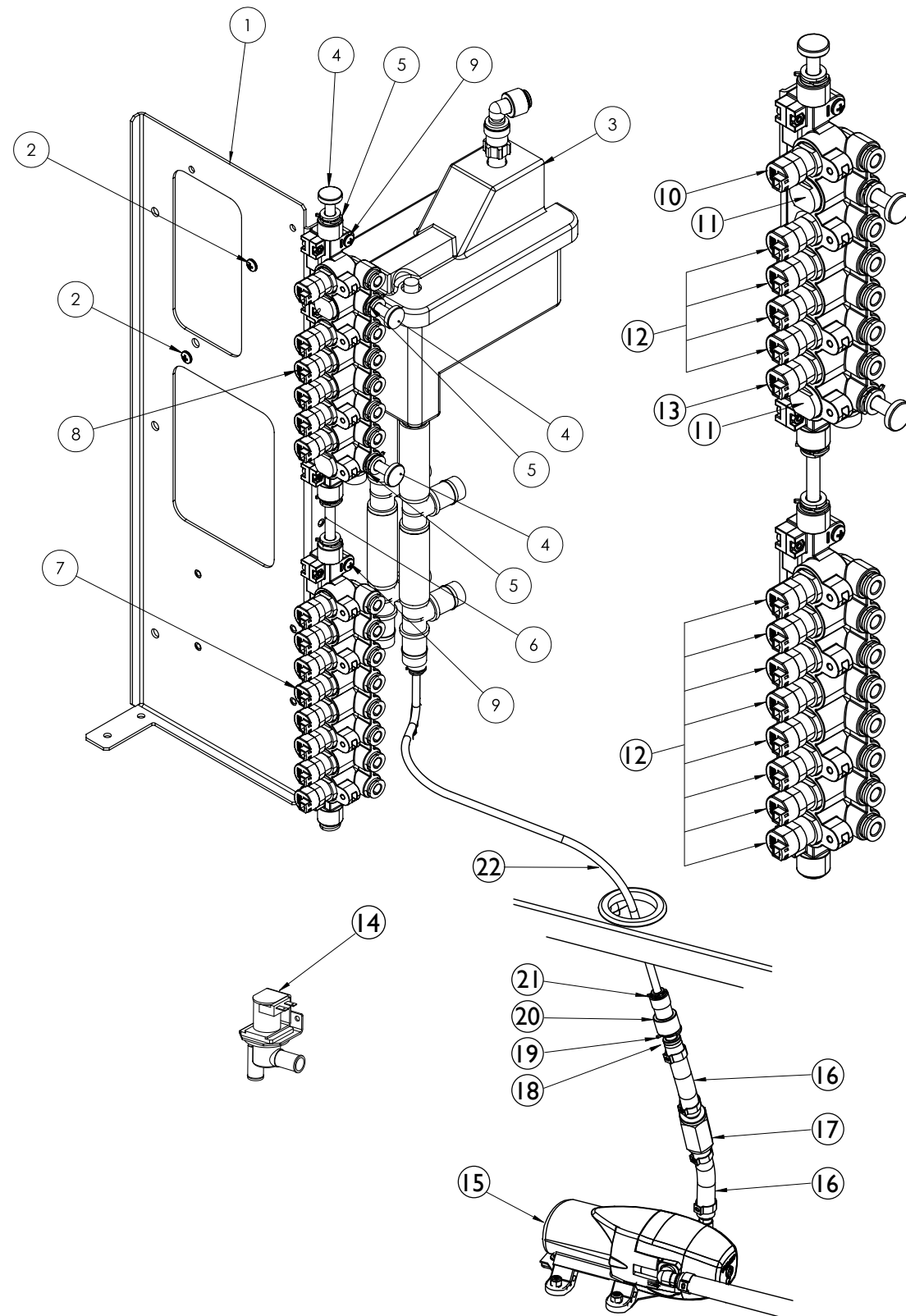


Blender Components

| # | Part # | Description | QTY | NOTE |
|----|----------------|--------------------------------------------|-----|---------------------------------------------------------|
| 1 | 020009082 | 120V/50-60 HZ MIXER MOTOR & SHAFT | 1 | comes with motor & shaft |
| | 020009081 | 220V/50-60 HZ MIXER MOTOR & SHAFT | 1 | comes with motor & shaft |
| 2 | WBL-92-109 | CUP COVER GUIDE ROD | 3 | 1 each |
| 3 | 3239795 | SPRING - EXTENSION | 3 | 1 each |
| 4 | - | LOCKNUT, 8-32, SS, NYLON INSERT | 6 | |
| 5 | 020008872 | BLENDER ACTUATOR | 1 | |
| 6 | - | SCREW, 1/4-20, 3/8IN, W/EXT TOOTH WASHER | 4 | |
| 7 | - | WASHER, FLAT, M6, SS | 4 | |
| 8 | 2194807 | SWITCH - MINI SNAP ACTION | 1 | blender home switch |
| 9 | - | WASHER, FLAT, M3, SS | 2 | |
| 10 | - | WASHER, SPRING, M3, SS | 2 | |
| 11 | - | SCREW, 4-40, 5/8IN, SS, PAN HEAD, PHILLIPS | 2 | |
| 12 | - | BRACKET, BLENDER TOWER HOLDING | 1 | |
| 13 | - | SCREW, 8-32, 1/2IN, PAN HEAD, PHILLIPS | 4 | |
| 14 | - | WASHER, SPRING, M4, SS | 6 | |
| 15 | WBL-99-084 | DIN 125 A (ST.ST.) M4 FLAT WASHER | 6 | 1 each |
| 16 | - | BLENDER TOWER | 1 | |
| 17 | - | BUSHING, SNAP, 0.50IN, BLK | 3 | |
| 18 | WBL-92-236 | BLENDER MOTOR BRACKET | 1 | |
| 19 | 000-BIC-01CY-S | BLACK CUP COVER FOR NON-ECOBLEND UNITS | 1 | cover with bushing installed |
| | 020009043 | ECOBLEND CUPHOLDER KIT W BUSHINGS | 1 | open blend 3 leg cup holder |
| 20 | - | GROMMET, LOCKING, 1IN ID HOLE, 3/4 ID | 2 | |
| 21 | - | BRACKET, SHIELD AND TUBE ROUTE, BLENDER | 1 | |
| 22 | - | SCREW, M4, 10mm, SS, PAN HEAD, PHILLIPS | 4 | |
| 23 | - | BRACKET, BLENDER MOTOR CABLES | 1 | |
| 24 | 9324159 | VIBRATION DAMPER, 8-32, MALE/MALE, 1/2IN | 3 | isolation mounts used on the blender motor, sold 1 each |
| 25 | - | BUSHING, STRAIN RELIEF, FOR 0.875 ID HOLE | 1 | |
| 26 | 020008344 | BLENDER SHAFT ASSEMBLY UGS OPEN BELL | 1 | shaft & blade only |
| 27 | 020004534 | 120V MOTOR ASSEMBLY KIT W/O SHAFT | 1 | motor only, no shaft/blade |
| | 3231241 | 220V MOTOR ASSEMBLY KIT W/O SHAFT | 1 | motor only, no shaft/blade |
| | 2186894 | BLENDER POWER HARNESS CORD | 1 | |
| | 2198613 | SNUBBER | 1 | |

Plumbing Manifold - MAC Valves

For Machines with MAC Valves / Non-Advanced Sanitation Units only. Float Components Fit all Makes and Models



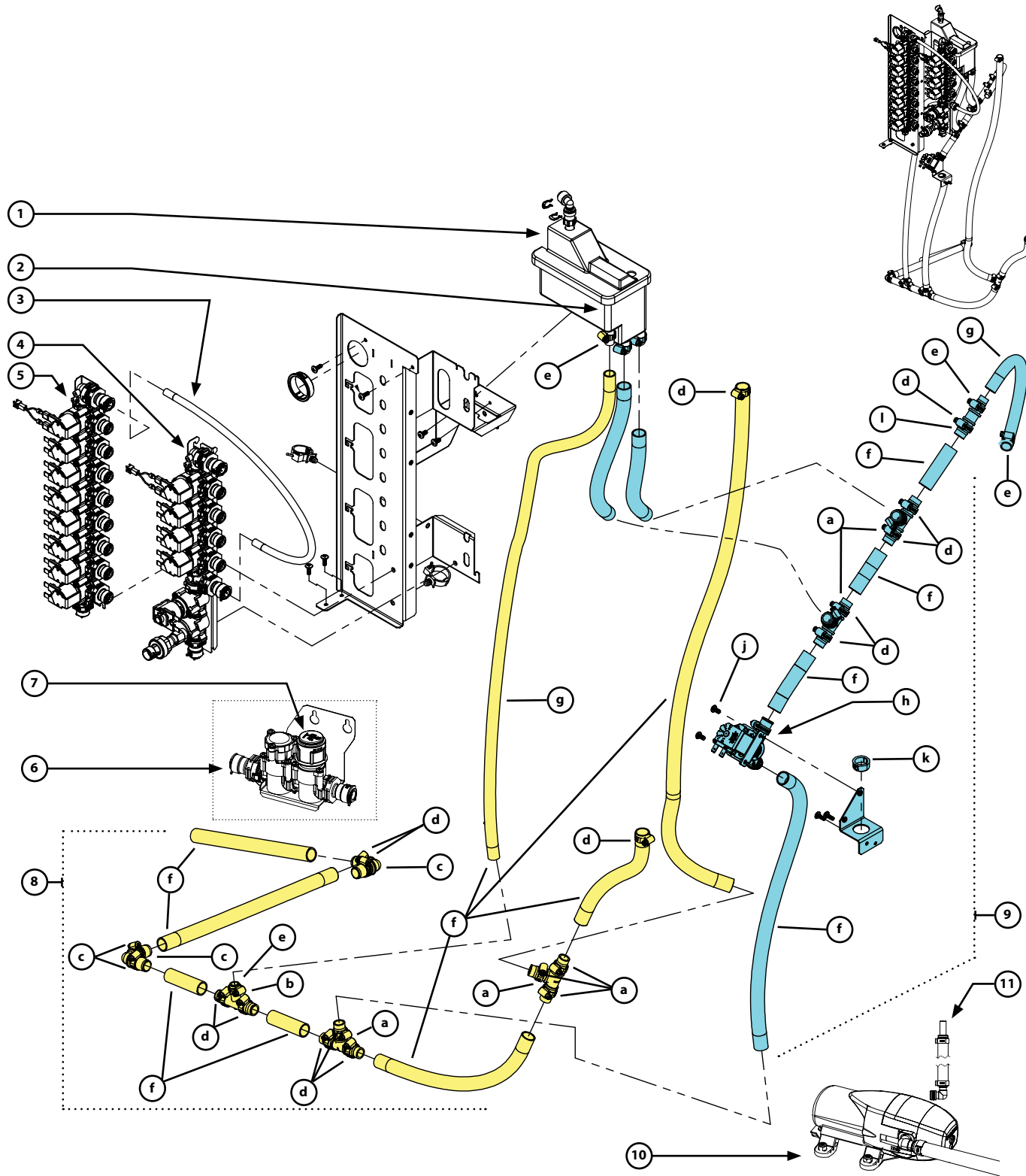
Plumbing Manifold - MAC Valves

For Machines with MAC Valves / Non-Advanced Sanitation Units only. Float Components Fit all Makes and Models

| # | Part # | Description | QTY | NOTE |
|-----|-----------------------------|---------------------------------------------------------------------------------------------------|-----|-------------------|
| 1 | WBL-92-160 | PLUMBING PANEL | | |
| 2 | WBL-99-007 | SCREW, 8-32 X 3/8", PAN HEAD, PHILLIPS | 2 | |
| 3 | 00006515 | FLOAT CHAMBER ASSY | | complete w/floats |
| 3A | 2008633 | FLOAT, LEVEL SWITCH | | |
| 4 | WBL-96-098 | PLUG FOR PUSH-TO-CONNECT FITTING | 3 | |
| 5 | WBL-95-036 | CLIP, LOCKING, 1/4" TUBE, PTC | | |
| 6 | WBL-96-035 (3547857-DEL) | 1/4" OD x 0.170" ID LLDPE TUBING | 1 | 2.25 in (5.7cm) |
| 7 | 020009377 | 8 VALVES MANIFOLD ASSY FOR SERIALS 1912FB0004389 TO CURRENT (ALL GREEN VALVES) | 1 | |
| 8 | 020008670 | 6 VALVE SOLENOID MANIFOLD ASS'Y | 1 | |
| 9 | 9325112 | SCREW, #8-32X1", S-P-PN-M | 4 | |
| 10 | 020007658 | SOLENOID VALVE, WHITE (N.O., WTR IN) | | |
| 11 | 020007659 | PLUG | | |
| 12 | 020007657 | SOLENOID VALVE, GREEN (N.C.) (USE IN PLACE OF BLACK SOLENOID VALVE) | | |
| 13 | 020007656 | SOLENOID VALVE, BROWN (N.O., ICEMAKER) | | |
| 14 | 3547846 | DUMP VALVE | | |
| 15 | WBL-97-075 WBL-97-106 | CIP PUMP (XYLEM) WITH 90° ELBOW FITTINGS | | |
| 15a | 020008645 | CIP PUMP RETROFIT KIT WITH HARDWARE AND EXTENSION HARNESS (INSTALL BOTTOM OF UPPER CABINET) | | |
| 15b | 020008639 | CIP PUMP EXTENSION HARNESS ONLY (FOR PUMPS INSTALLED AT BOTTOM OF UPPER CABINET) | | |
| 16 | WBL-96-083 | HIGH PRESS PVC TUBING, 3/8" ID X 19/32" OD 14" | | |
| 17 | WBL-96-046 | CHECK VALVE, BARBED, 3/8" ID TUBE | | |
| 18 | 3545345 | FITTING, PTC ADAPTER, 3/8 STEM | | |
| 19 | WBL-96-058 | CLIP, LOCKING, FOR 3/8 IN TUBE | | |
| 20 | 020008681 | (PI-201208-S) 3/8" TO 1/4" REDUCER UNION | | |
| 21 | 3547881 | CLIP, LOCKING, 1/4, PTC | | |
| 22 | 3547857-DEL | BEVERAGE TUBING | | |
| | 020008747 | WATER/CIP RESIN MANIFOLD RETROFIT KIT, | | |
| | WBL-96-137 OR 3547784 | REGULATOR, WATER | | |
| | 020008747 | PLUMBING PANEL RETROFIT FROM METAL MANIFOLDS TO RESIN | | |

Plumbing - RPE Valves

Components for Machines with RPE Valves / Advanced Sanitation Models [FB08ETF-R-GEN1-P](#) & [FB08ETF-R-KWIK-P](#)



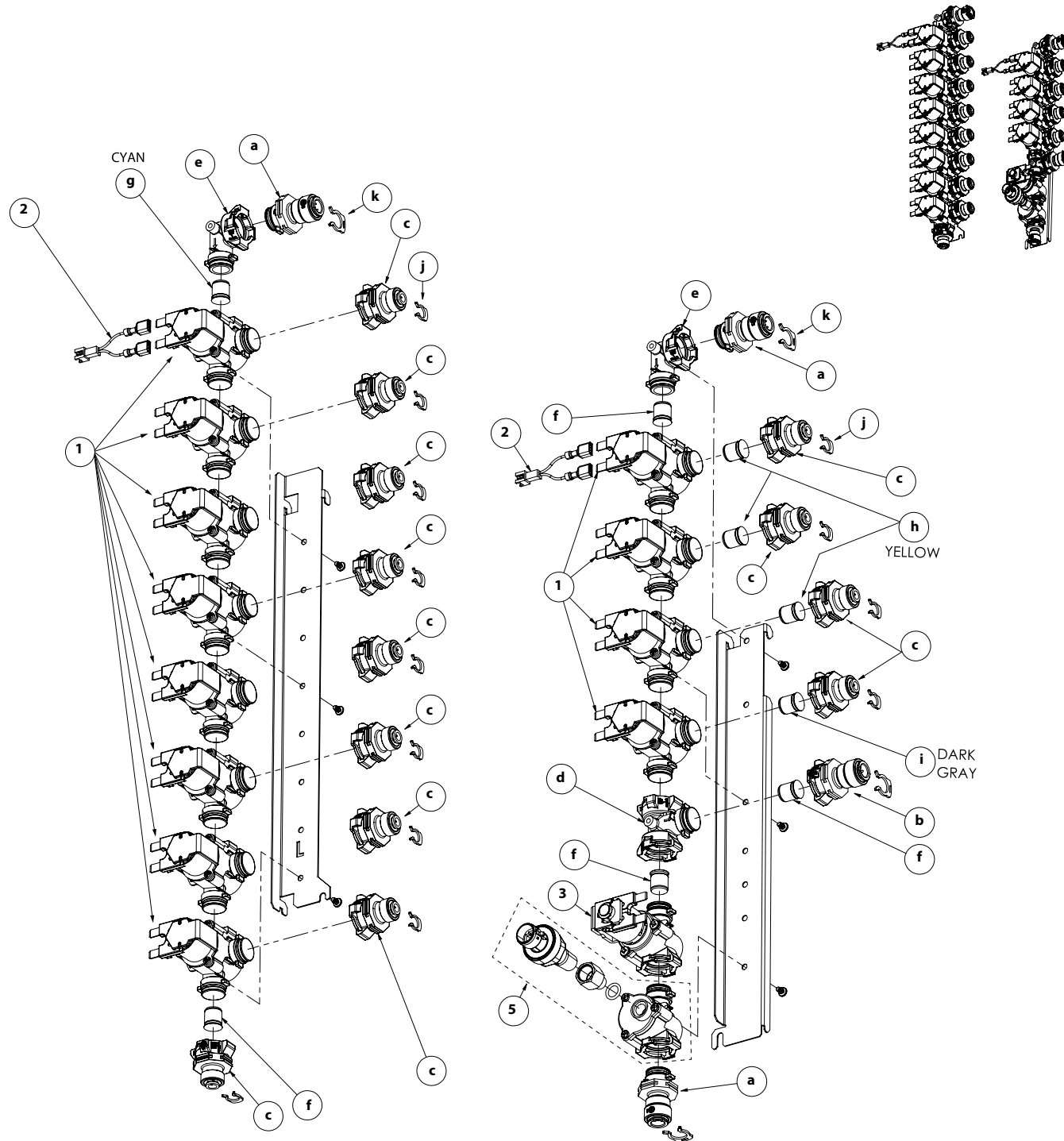
Plumbing - RPE Valves

Components for Machines with RPE Valves / Advanced Sanitation Models [FB08ETF-R-GEN1-P](#) & [FB08ETF-R-KWIK-P](#)

| # | Part # | Description | QTY | NOTE |
|----|-----------------------------------------------------------|------------------------------------------------------|--------|-------------------------------------------------------------|
| 1 | x | FLOAT CHAMBER ASSY | 1 | complete w/floats |
| 2 | 2008633 | FLOAT, LEVEL SWITCH | 1 | switch & harness |
| 3 | 020007861 | TUBE 3/8" OD X 1/4" ID CLEAR | per ft | 19" long |
| 4 | 020009515 | MANIFOLD ASSY RIGHT | 1 | complete with valves & transducer |
| 5 | 020009516 | MANIFOLD ASSY LEFT | 1 | complete with valves |
| 6 | 020009517 | REGULATOR ASSEMBLY | 1 | non-adjustable with filter |
| 7 | 020009307 | FILTER UNV SERIE BLUE 49 MESH | 1 | filter and body |
| 8 | 020009576 | KIT, RESERVOIR LOWER TUBING | 1 | includes callouts (a) - (g), highlighted in yellow & clamps |
| | a | WBL-96-080 | 2 | FITTING, TEE CONNECTOR, 5/8" TUBING |
| | b | - | 1 | TEE BARB 5/8 X 1/2 X 5/8 NYLON |
| | c | WBL-96-082 | 2 | FITTING, 90 DEGREE ELBOW, 5/8" |
| | d | - | 11 | CLAMP, WORM DRIVE, 9/16"-1 1/16" |
| | e | WBL-96-012 | 1 | CLAMP, WORM DRIVE, 7/16"-25/32" |
| | f | WBL-96-085 | per ft | TUBING, 5/8" ID X 7/8" OD, PVC |
| | g | - | 1 | TUBING, 1/2" ID X 3/4" OD, PVC |
| 9 | 020009575 | KIT, RESERVOIR UPPER TUBING W/ VALVE | 1 | includes callouts (h) - (n), highlighted in blue & clamps |
| | h | 3547846 | 1 | DUMP VALVE |
| | i | - | 1 | DUMP VALVE BRACKET |
| | j | - | 2 | SCREW, #10-32 X 3/8", PAN HEAD, PHILLIPS, ZINC PLATED |
| | k | 020000258 | 1 | BUSHING SPLIT 0.875 HOLE (0.670 ID) |
| | l | - | 1 | FITTING, REDUCER, 5/8" TO 1/2" TUBING |
| | a | WBL-96-080 | 2 | FITTING, TEE CONNECTOR, 5/8" TUBING |
| | d | - | 9 | CLAMP, WORM DRIVE, 9/16"-1 1/16" |
| | e | WBL-96-012 | 1 | CLAMP, WORM DRIVE, 7/16"-25/32" |
| | f | WBL-96-085 | per ft | TUBING, 5/8" ID X 7/8" OD, PVC |
| | g | - | 1 | TUBING, 1/2" ID X 3/4" OD, PVC |
| 10 | WBL-97-075* WBL-97-106 | CIP PUMP (XYLEM) WITH 90° ELBOW FITTINGS | 1 | * comes with elbows |
| 11 | 020009574 | KIT, ASSY CIP PUMP TO MNF PLUMBING | 1 | with elbows, tubing & barb to stem |
| - | - | TUBING PVC 3/8 ID X 5/8 OD CLEAR | 1 | 40" used in kit |
| - | - | Flo-Jet Pump Elbow, 3/8" Barb, Polypropylene | 1 | |
| - | PI-251212-S | FITTING, PTC ADAPTER, 3/8" STEM OD, FOR 3/8" TUBE ID | 1 | |
| - | 17.0-706R | CLAMP, STEPLESS, SS (5/8" nominal) | 2 | qty in kit, |

Plumbing Manifolds - RPE Valves

Components for Machines with RPE Valves / Advanced Sanitation Models [FB08ETF-R-GEN1-P](#) & [FB08ETF-R-KWIK-P](#)



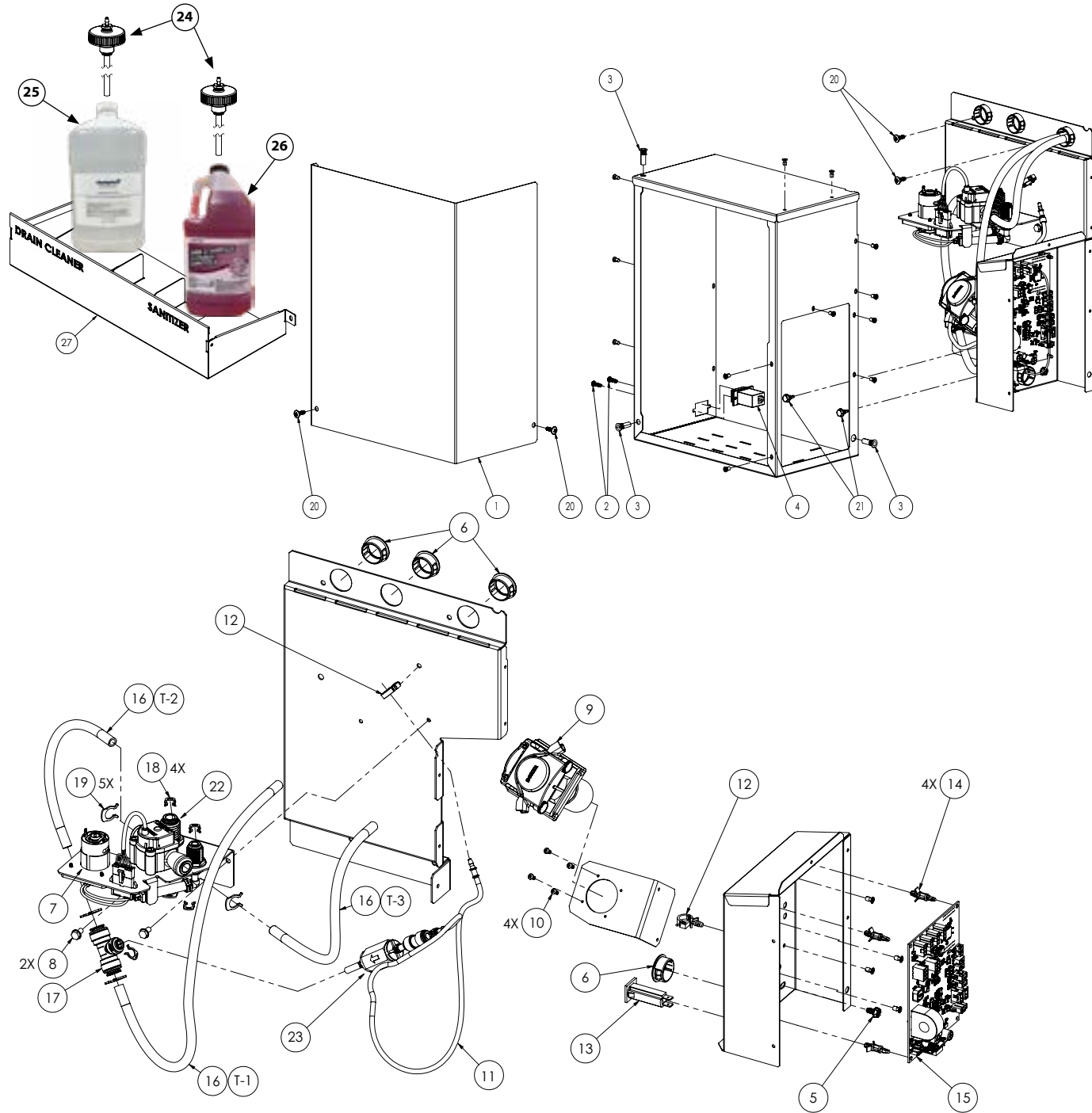
Plumbing Manifolds - RPE Valves

Components for Machines with RPE Valves / Advanced Sanitation Models [FB08ETF-R-GEN1-P](#) & [FB08ETF-R-KWIK-P](#)

| # | Part # | Description | QTY | NOTE |
|---|-----------|---------------------------------------|-----|-----------------------------------|
| 1 | 020009580 | KIT,NC B BODY,RPE SOLENOID VALVE | 1 | with wire adapter |
| 2 | 020009392 | WIRE ADAPTER | 1 | used on all valves |
| 3 | 020009581 | KIT, NO RPE SOLENOID VALVE | 1 | with wire adapter |
| 4 | 020009582 | KIT, RPE MANIFOLD PARTS & ADAPTERS | 1 | 1 kit includes callouts (a) - (k) |
| | a - | Male 3/8 Outlet | 1 | qty in kit |
| | b - | Female 3/8 Outlet | 1 | qty in kit |
| | c - | Female 1/4 Outlet | 1 | qty in kit |
| | d - | Tee | 1 | qty in kit |
| | e - | Elbow | 1 | qty in kit |
| | f - | Check Valve | 1 | qty in kit |
| | g - | Flow Control (cyan) | 1 | qty in kit |
| | h - | Flow Control (yellow) | 1 | qty in kit |
| | i - | Flow Control (dark gray) | 1 | qty in kit |
| | j - | CLIP,LOCKING,1/4,PTC | 2 | qty in kit |
| | k - | CLIP,LOCKING,3/8,PTC | 2 | qty in kit |
| 5 | 020009583 | KIT, RPE MANIFOLD PRESSURE TRANSDUCER | 1 | with o-ring & housing |

Advanced San Cleaning System

Components for Machines with RPE Valves / Advanced Sanitation Models [FB08ETF-R-GEN1-P](#) & [FB08ETF-R-KWIK-P](#)



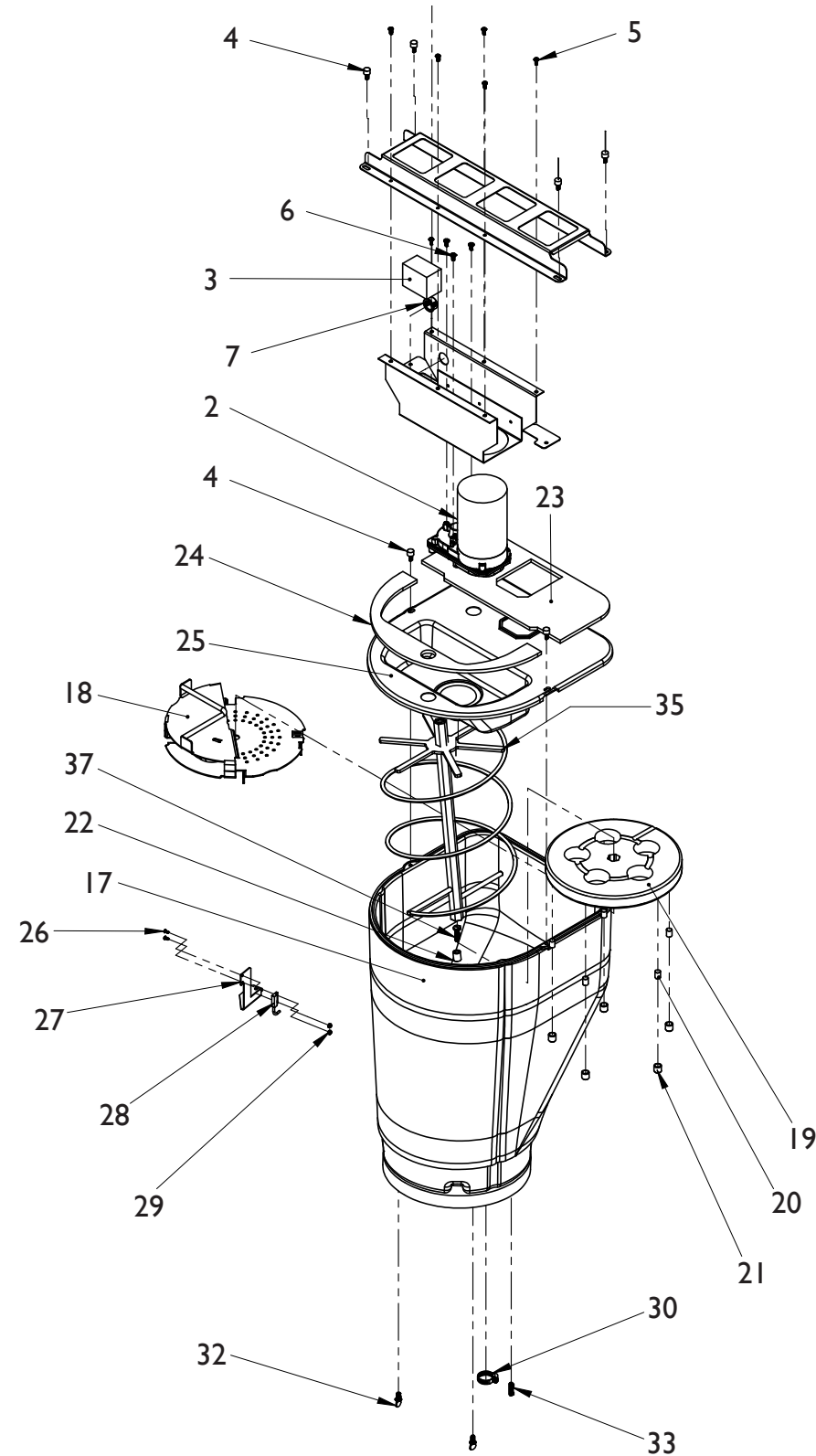
| TUBE # | INLET LOCATION | OUTLET LOCATION | COLOR | Part No. Description | Length (+/- 0.25") |
|--------|------------------------|-------------------------|-------|----------------------|--------------------|
| T-1 | RPE REGULATOR OUTLET | MIXING TEE INLET | CLEAR | 3/8 SURETHANE | 39.50 |
| T-2 | MIXING TEE OUTLET | DIGIMESA SENSOR INLET | CLEAR | 3/8 SURETHANE | 11.50 |
| T-3 | DIGIMESA SENSOR OUTLET | RIGHT MANIF LOWER INLET | CLEAR | 3/8 SURETHANE | 40.50 |

Advanced San Cleaning System

Components for Machines with RPE Valves / Advanced Sanitation Models [FB08ETF-R-GEN1-P](#) & [FB08ETF-R-KWIK-P](#)

| # | Part # | Description | QTY | NOTE |
|----|----------------------------|--------------------------------------------------------------|--------|--------------------------------------|
| 1 | 020009333 | COVER ADV CLEANING ENCLOSURE | 1 | sheet metal part |
| 2 | - | SCREW,#8-18 X 1/2", Z-P-PN-HI LOW | 2 | |
| 3 | 9321531 | INSERT,THREAD,8-32,ALUM CLOSED,MO | 3 | sold (1) each |
| 4 | 020008659 | COUPLER, PNL MNT, RJ12 X RJ12, CAT3, BLK | 1 | |
| 5 | 2194234 | ELECTRICAL GROUNDING SCREWS | 2 | sold (1) each |
| 6 | 9321198 | BUSHING,SNAP,1.00,BLACK | 4 | sold (1) each |
| 7 | 020009526-FRU | KIT ASSY DRN CLNR PUMP | 1 | kit with tubes |
| 8 | 9321114 | SCREW, #10-32 X 0.375, LOCK WASH | 2 | sold (1) each |
| 9 | 020009371 | BOXER PUMP, PERISTALTIC, 24V DC GEAR MOTOR, 80 RPM, 4 ROLLER | 1 | sanitizer pump |
| 10 | - | SCREW,4-40X3/8CP-Z-PH | 4 | |
| 11 | 020009573 | KIT, ASSY, BOXER PUMP TUBING | 1 | peristaltic tubing kit w/ connectors |
| 12 | - | CABLE HOLDER 1/2" PUSH MOUNT | 2 | |
| 13 | 020008407 | BREAKER RESET 4A | 1 | |
| 14 | 9324163 | SPACER,PCB,SNAP IN,3/8" | 4 | sold (1) each |
| 15 | 020008647 | PCBA, (UTB) UTILITY MONITOR, NO CELL MOD | 1 | UTB Control Board |
| 16 | 020007861 | TUBING 3/8OD X 1/4ID CLEAR | per ft | see callout for legnth |
| 17 | 020009481 | FITTING, TEE, 3/8 X 1/4 X 3/8 PTC POLYPROPYLENE | 1 | |
| 18 | 3547881 | CLIP, LOCKING, FOR 1/4" TUBE PTC | 4 | sold (1) each |
| 19 | WBL-96-058 | CLIP, LOCKING, FOR 3/8" TUBE PTC | 5 | sold (1) each |
| 20 | 9321007 | SCREW 8-32 X.50 S-P-TR-M | 4 | sold (1) each |
| 21 | 9321353 | SCREW,#10X.50,S-H-HW-TEK | 2 | sold (1) each |
| 22 | 020009208 | SENSOR, TPC, COMBISENSOR, DIGMESA | 1 | senses conductivity & flow rate |
| 23 | 020009366 | CHECK VALVE 1/8" BARB POLYPROPYLENE | 1 | |
| 24 | 020009520-FRU | DIP TUBE ASSEMBLY | 2 | sold (1) each |
| 25 | 020009530 | STERA SHEEN CONC DRN CLEANER (1 GAL) | 1 | |
| 26 | 020009490 | S&S SANITIZER (KAY CHEM CO) 1 GALLON | 1 | |
| 27 | 020009330 | SUPPORT SHELF, CHEMICAL CONTAINERS | 1 | |

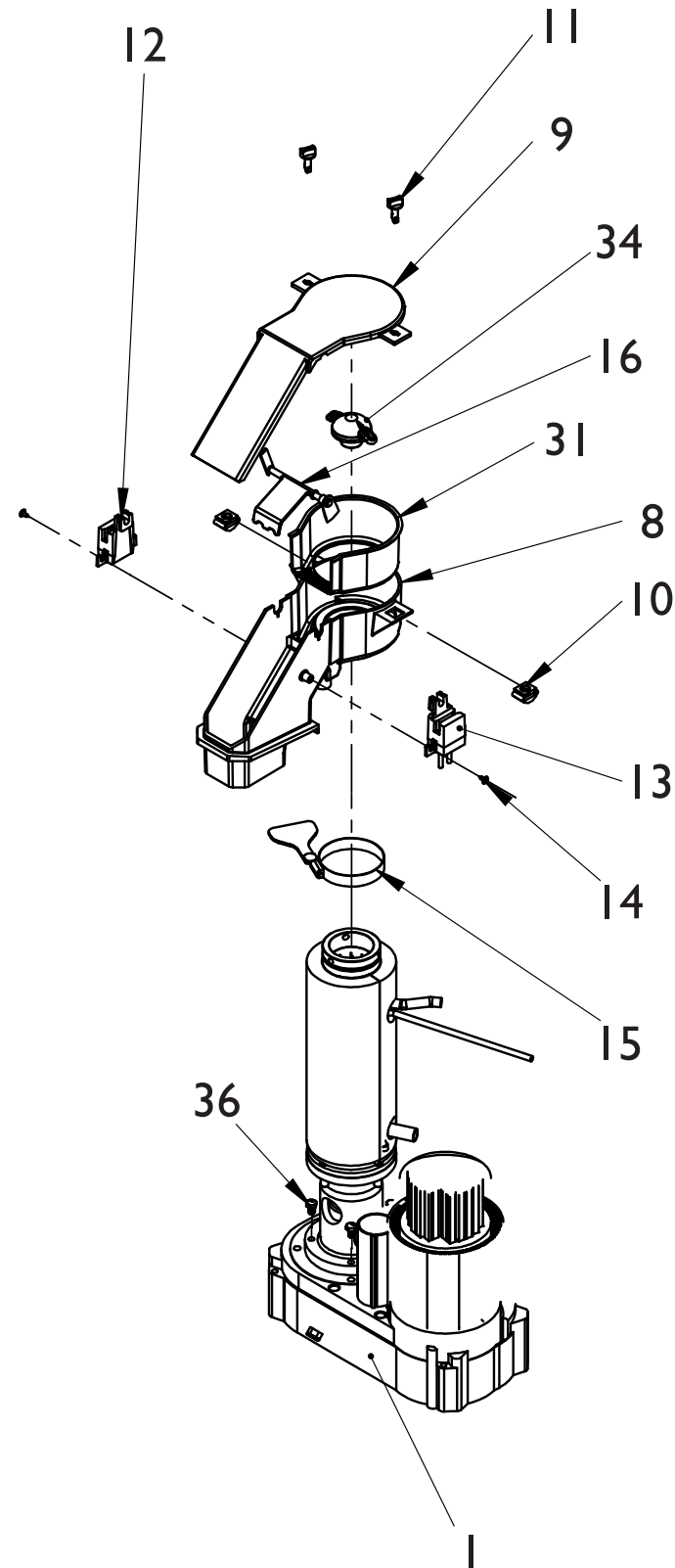
Ice Dispense



Ice Dispense

| # | Part # | Description | QTY | NOTE |
|----|--------------------------------|----------------------------------------|-----|------|
| 2 | | ICE DISPENSE MOTOR | 1 | |
| 2A | WBL-33-005-FRU | COMPLETE 120V ASSEMBLY | | |
| 2B | N/A | COMPLETE 220V ASSEMBLY | | |
| 2C | 2195297 | 120V MOTOR ONLY | | |
| 2D | 2195305 | 220V MOTOR ONLY | | |
| 3 | | CAPACITOR | 1 | |
| 3A | 2195540 | 120V, 20MF, Capacitor | | |
| 3B | 2195306 | 220V, 6MF, Capacitor | | |
| 4 | MCP00199 | SCREW, 8-32 X 0.50, THUMB | 6 | |
| 5 | WBL-99-007 | SCREW, 8-32 X 3/8", PAN HEAD, PHILLIPS | 7 | |
| 6 | WBL-99-023 | SCREW, PAN HEAD, 10-32 X 3/8" | 3 | |
| 7 | 9321199 | Snap Bushing - 0.875" | 1 | |
| 17 | 000-BIC-007B-S | Ice Bin | 1 | |
| 18 | 3235175 | PLATE, WELDED, ICE DISP | 1 | |
| 19 | 000-BIC-001X-S | PLATE, DISPENSER, 3/4" | 1 | |
| 20 | 3237388 | MAGNET 0.375 DIA X 0.500 | 5 | |
| 21 | 1701000 | CAP, CUTTING BOARD, PIN | 5 | |
| 22 | 3237391 | Bushing - Lower | 1 | |
| 23 | WBL-94-034 | INSULATOR, ICE BIN LID, REAR | 1 | |
| 24 | WBL-95-083 | INSULATOR, FRT CHUTE AND LID | 1 | |
| 25 | 1708532 | Ice Bin Cover | 1 | |
| 26 | WBL-99-028 | SCREW, PAN HEAD 4-40 X 1/4" L | 2 | |
| 27 | WBL-92-032 | BIN SENSOR BRACKET | 1 | |
| 28 | 2160033 | Reed Switch - Rinse Area | 1 | |
| 29 | WBL-99-030 | LOCK NUT, NYLON INSERT, 4-40 | 2 | |
| 30 | WBL-96-013 | CLAMP, WORM DRIVE, 9/16" - 11/16" | 1 | |
| 32 | WBL-99-027 | SCREW, 1/4"-20, 1/2" L, 18-8 SS, THUMB | 2 | |
| 33 | WBL-99-145 | SCREW, 1/4"-20 THREAD, 1" L, 18-8 SS | 1 | |
| 35 | 000-BIC-006T-S | Agitator Assembly | 1 | |
| 37 | 9324165 | Screw - 0.25"-20 x 1.0" SS | 1 | |

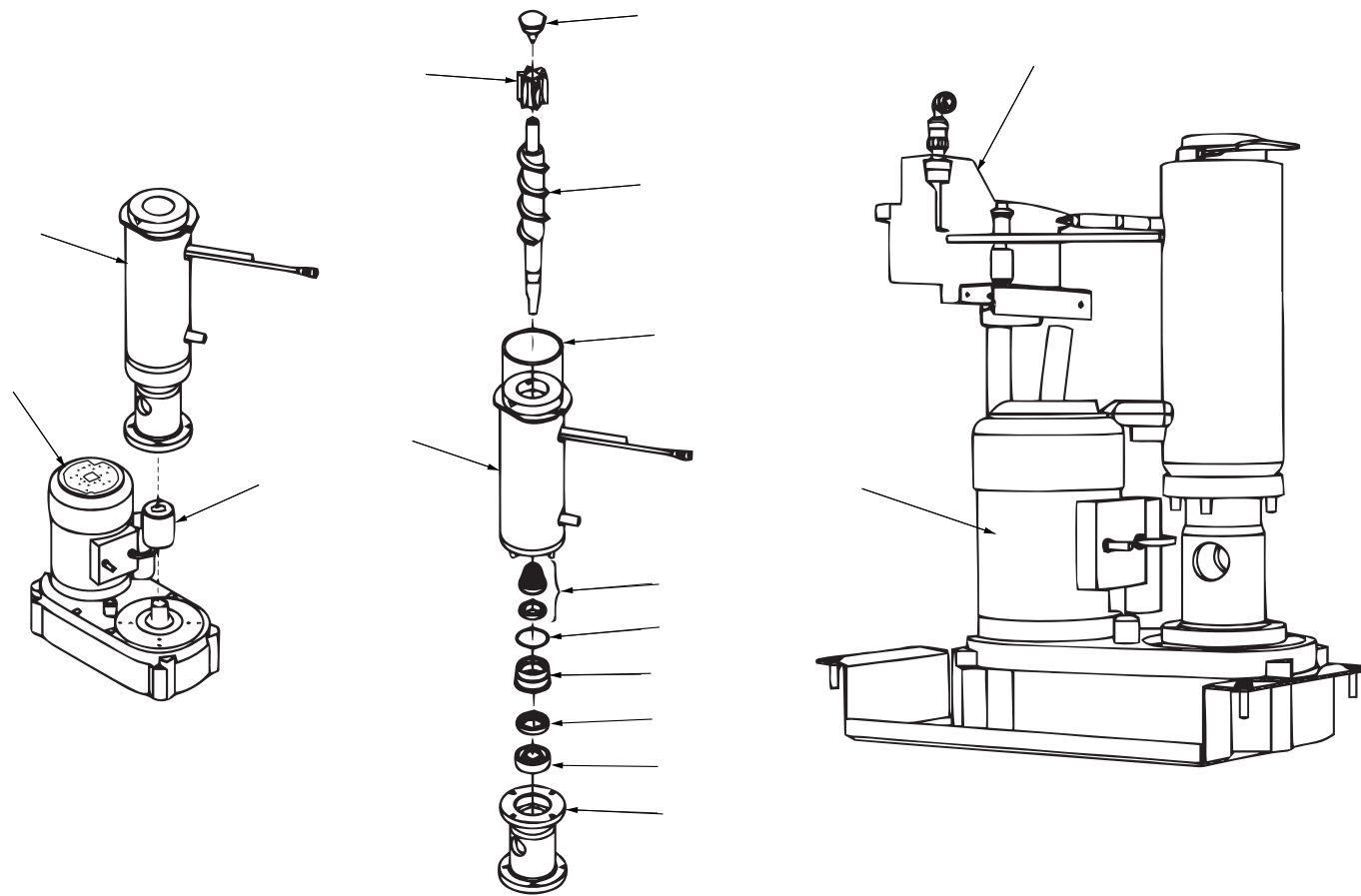
Ice Maker



Ice Maker

| # | Part # | Description | QTY | NOTE |
|----|-----------|----------------------------------|-----|------|
| 1 | | EVAPORATOR GEAR MOTOR | | |
| 1A | 000008223 | EVAP-GM ASM 115-60 | | |
| 1B | 000008224 | EVAP-GM ASM 230/50 | | |
| 8 | 4013363 | Ice Chute | 1 | |
| 9 | 4013463 | Chute Cover - sits on receptacle | 1 | |
| 10 | 5650853 | Receptacle | 2 | |
| 11 | 5000453 | Wing-head Mounting Stud | 2 | |
| 12 | 2009803 | Hall Effect Switch Housing | 1 | |
| 13 | 2009793 | Hall Effect Switch with Wiring | 1 | |
| 14 | 9324088 | Screw - #8 x 0.375" | 2 | |
| 15 | 000000464 | Clamp Assembly - SS | 1 | |
| 16 | 4014443 | Damper Door Nugget | 1 | |
| 31 | 4014883 | Strainer Ramp | 1 | |
| 34 | 000002163 | Ice Wiper - Nugget | 1 | |
| 36 | 000008203 | BOLT-HEX M6X1.0X1 | 4 | |

Evaporator Assembly



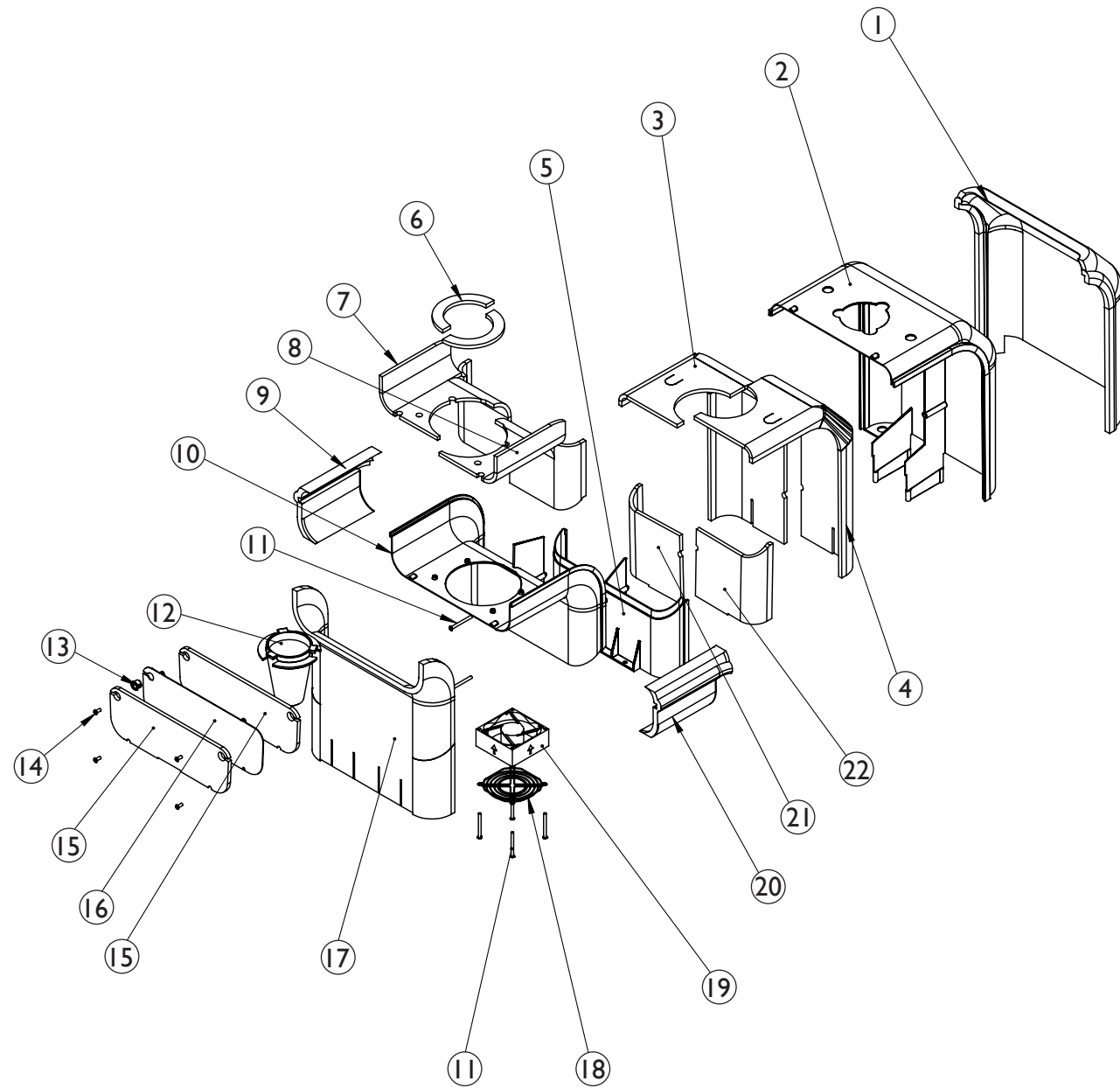
Evaporator Assembly

| # | Part # | Description | QTY | NOTE |
|-----|-----------|------------------------------------------------------|-----|------|
| 1 | | Evaporator Assembly | | |
| 1a | 000008357 | Entire Evaporator Assembly | | |
| 1b | 000012547 | Evaporator Rebuild Kit - RNS12-20/CNF201-202/RNS0300 | | |
| 2 | 000008939 | Ice Wiper Stud | | |
| 3 | 000009156 | Extruder with Bearings Assembly | | |
| 4 | 000009157 | Auger | | |
| 4a | 000009158 | Auger and Extruder with Bearings | | |
| 5 | 000008940 | O-ring Gasket, ORANGE | | |
| 6 | 000006426 | Water Seal | | |
| 7 | 000005583 | Lower O-ring, BLACK | | |
| 8 | 000005782 | Water Seal Retainer | | |
| 9 | 000008938 | Seal Ring | | |
| 10 | 000008898 | Bearing | | |
| 11 | 000008897 | Evaporator Foundation | | |
| 11a | 000012459 | Bolt - Evaporator Foundation - M6 x 25mm | | |
| 12 | 000008967 | Joint - Evaporator Mounting to Gear Motor | | |
| 13 | | Gear Box/Motor Assembly | | |
| 13a | 000011126 | Gearmotor Assembly - 115V/60 Hz/1 Ph | | |
| 13b | 000011800 | Gearmotor Assembly - 208-230V/50-60 Hz/1 Ph | | |
| 13c | 000008631 | Wiring Harness - Gearmotor | | |
| 14 | | Gearmotor Capacitors | | |
| 14a | 000007825 | Gearmotor Capacitor 16MFD - 115V/60 Hz/1 Ph | | |
| 14b | 000007824 | Gearmotor Capacitor 5MFD - 230V/50 Hz/1 Ph | | |
| 15 | 000006516 | Float Chamber Assembly | | [1] |
| 15a | 2008633 | Float Switch Only | | |
| 15b | 000006515 | Float Chamber Only | | |

PART NOTES

[1] Includes float, switch, cover & housing

Refrigeration Duct Assembly



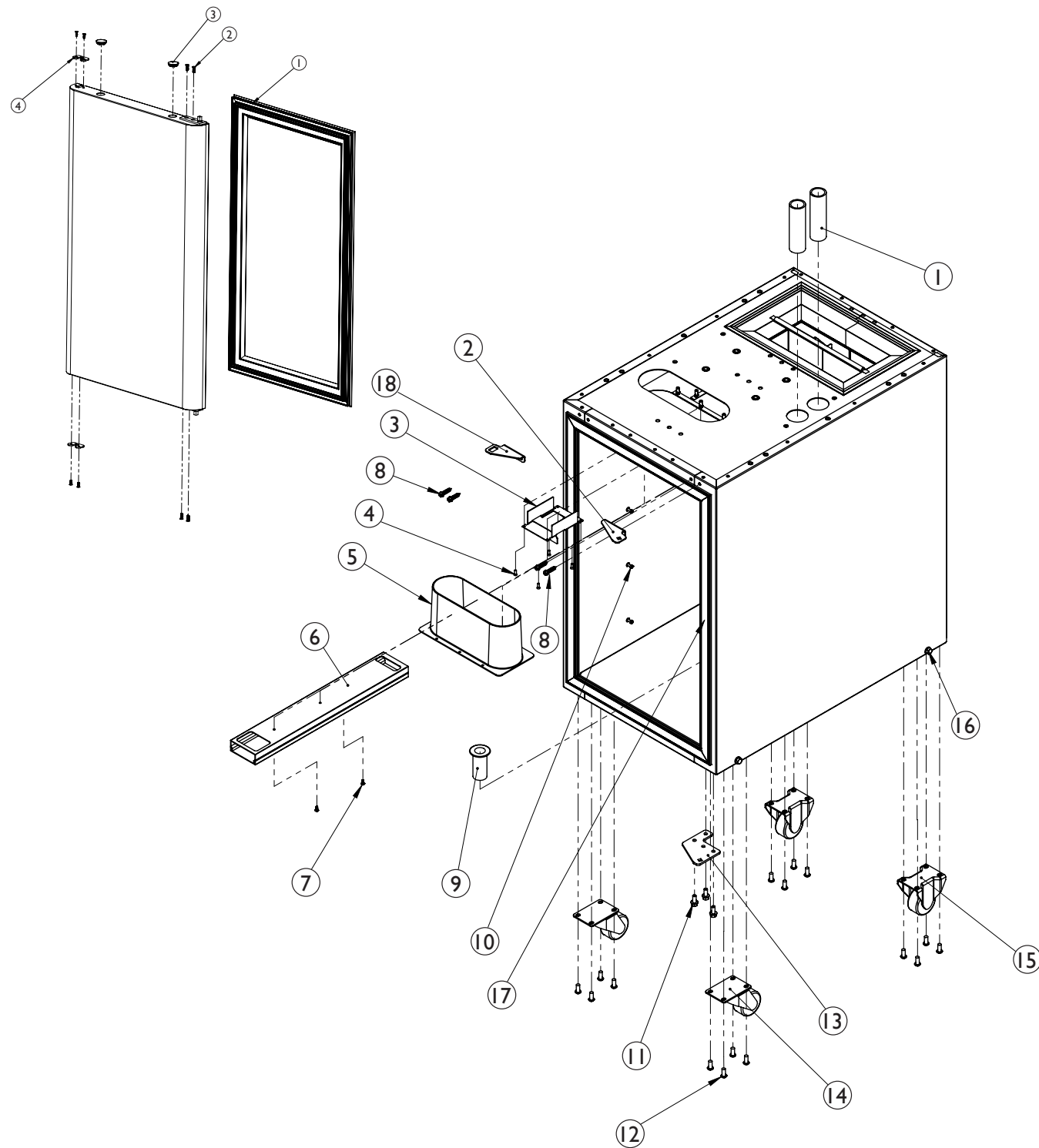
Refrigeration Duct Assembly

| # | Part # | Description | QTY | NOTE |
|----|----------------|------------------------------------|-----|------|
| 1 | 3437359 | INSULATION, DUCT, PART A | 1 | |
| 2 | 1708520 | Cold Air Duct - Back | 1 | |
| 3 | WBL-94-039-L | INSULATION, DUCT BACK | 1 | [1] |
| 4 | WBL-94-039-R | INSULATION, DUCT BACK | 1 | [2] |
| 5 | 1708523 | Duct - Front, Lower | 1 | |
| 6 | WBL-94-046 | INSULATION, DISPENSE NOZZLES PLATE | 2 | |
| 7 | WBL-94-040-L | INSULATION, DUCT FRONT | 1 | [1] |
| 8 | WBL-94-040-R | INSULATION, DUCT FRONT | 1 | [2] |
| 9 | 3437362 | INSULATION, DUCT, PART D | 1 | |
| 10 | 1708521 | Cold Air Duct - Front | 1 | |
| 11 | 9324091 | Screw - #8 x 1.75" | 2 | |
| 12 | 1708518 | Ice Dispenser Nozzle | 1 | |
| 13 | WBL-95-107 | BUSHING, SNAP, .50" ,BLACK | 1 | |
| 14 | 9324088 | Screw - #8 x 0.375" | 4 | |
| 15 | WBL-94-038 | INSULATION, FRONT COVER | 2 | |
| 16 | 019-CCZ-0005-S | Duct Cover | 1 | |
| 17 | 3437360 | INSULATION, DUCT, PART B | 1 | |
| 18 | 3978124 | Wire Fan Guard | 1 | |
| 19 | 2160043 | Axial Fan - 80 x 80 x 38 - 70CFM | 1 | |
| 20 | 3437361 | INSULATION, DUCT, PART C | 1 | |
| 21 | WBL-94-041-L | INSULATION, DUCT FRONT LOWER | | [1] |
| 22 | WBL-94-041-R | INSULATION, DUCT FRONT LOWER | 1 | [2] |

PART NOTES

| | |
|-----|-------|
| [1] | Left |
| [2] | Right |

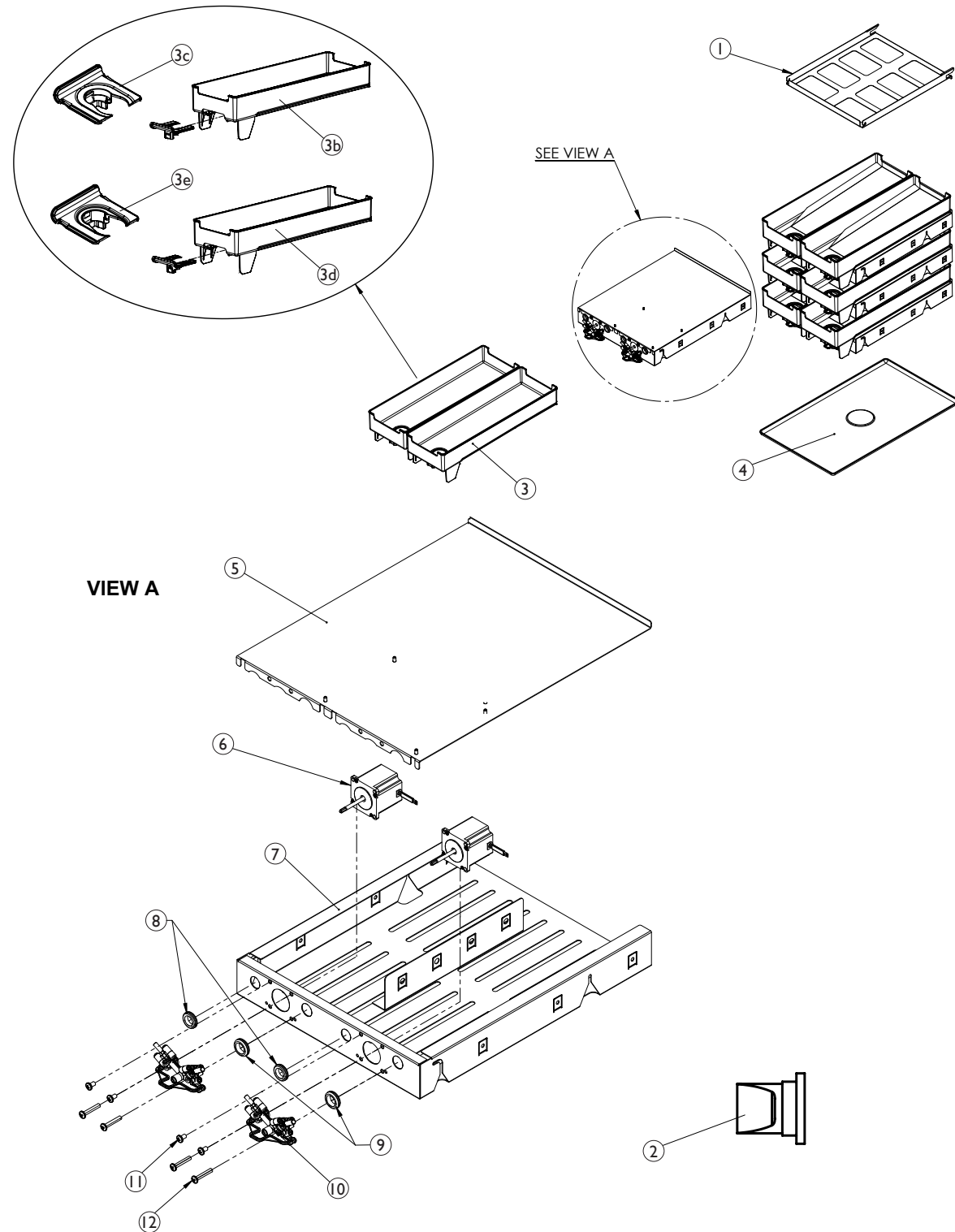
Refrigerated Base View 1



Refrigerated Base View 1

| # | Part # | Description | QTY | NOTE |
|-----|------------|----------------------------------------------------------------|-----|------|
| 1 | WBL-96-002 | PVC PIPE, 1.5" DIA X 5" LONG | 2 | |
| 2 | WBL-92-006 | HINGE, RIGHT, TOP, BASE DOOR | 1 | |
| 3 | WBL-92-132 | FAN AIRFLOW GUIDE BOX | 1 | |
| 4 | WBL-99-132 | PH FLAT HEAD SCREW, 8-32 X 1/2 | 4 | |
| 5 | WBL-94-017 | DUCT INSERT REFRIGERATED BASE | 1 | |
| 6 | WBL-33-075 | FAN AIRFLOW DUCT ASSEMBLY | 1 | |
| 7 | WBL-99-007 | SCREW, 8-32 X 3/8", PAN HEAD, PHILLIPS | 4 | |
| 8 | 9321116 | Screw - 0.25" x 1.25" (FOR HINGE) | 4 | |
| 9 | 3234242 | Drain - 1" (plastic) | 1 | |
| 10 | WBL-99-129 | SLOTTED SHOULDER SCREW 8-32 x 1/2", 3/16" DIA, 18-8 SS | 20 | |
| 11 | WBL-99-069 | FLANGED HEX HEAD CAP SCREW, 5/16-18 X 3/4 | 3 | |
| 12 | WBL-99-005 | 5/16-18 SS BUTTON HEAD SOCKET CAP SCREW | 16 | |
| 13 | WBL-92-099 | HINGE PLATE, BOTTOM, RIGHT | 1 | |
| 14 | WBL-95-098 | CASTOR, SWIVEL | 2 | |
| 14A | 020008731 | LOCKING CASTER RETROFIT KIT, LOCKS ONLY | | |
| 15 | WBL-95-097 | CASTOR, RIGID | 2 | |
| 16 | WBL-99-069 | FLANGED HEX HEAD CAP SCREW, 5/16-18 X 3/4 | 4 | |
| 17a | 020009255 | KIT, 4 PC THERMAL BRK, METAL INSERTS FOR DOOR SEALS | 1 | |
| 17b | WBL-95-002 | EXTRUSION VERTICAL FOR CHANNEL, PLASTIC | 2 | |
| 17c | WBL-95-095 | EXTRUSION HORIZONTAL FOR CHANNEL, PLASTIC | 2 | |
| 18 | WBL-92-113 | BRACKET, DOOR LOCK, RIGHT HINGED DOOR | 1 | |
| 1 | WBL-95-013 | GASKET, REFRIGERATED DOOR | 1 | |
| 2 | - | SCREW, FLAT HEAD PHILLIPS MACHINE SCREW, 18-8 SS, 10-32 X 5/8" | 4 | |

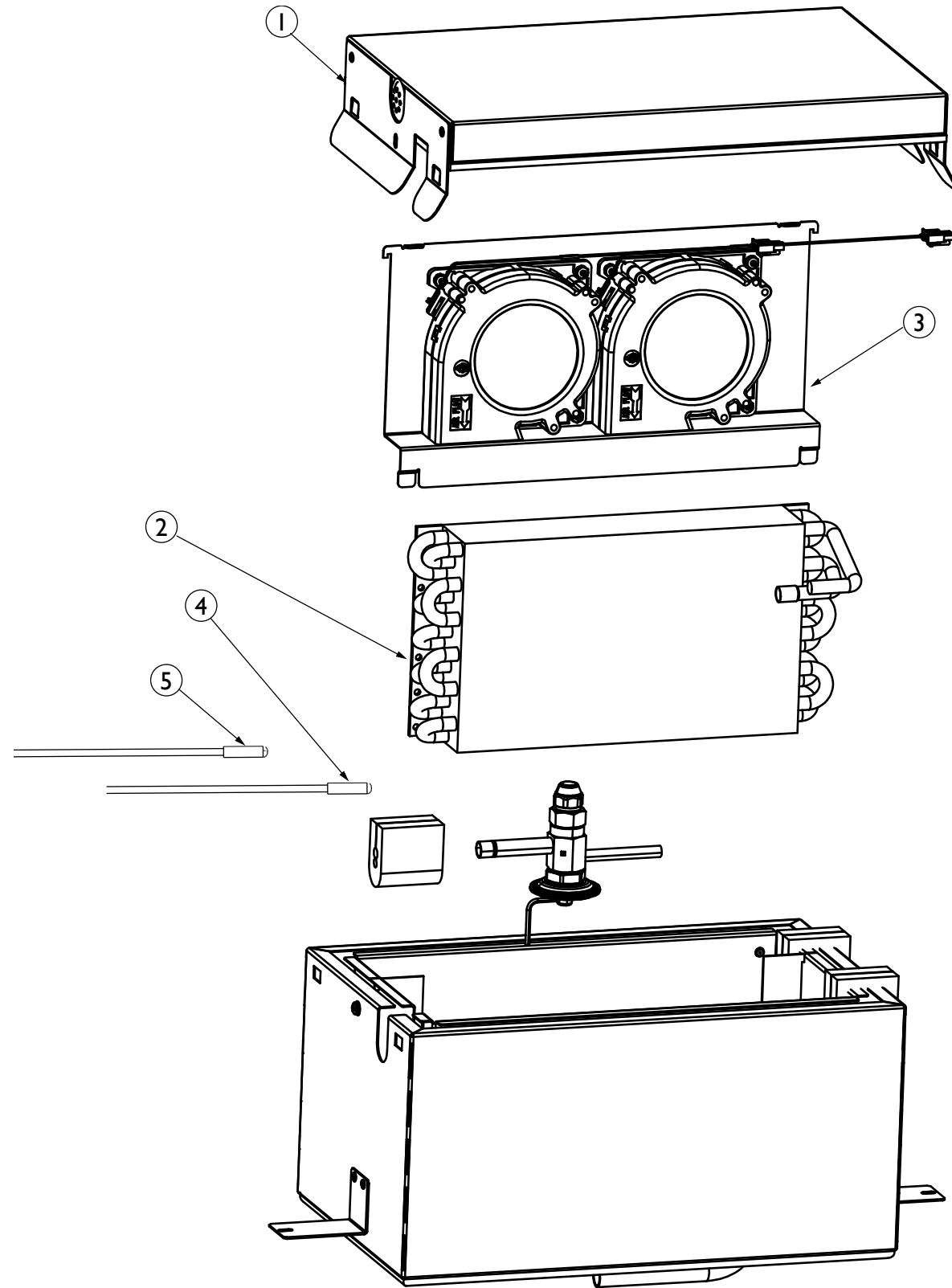
Refrigerated Base View 2



Refrigerated Base View 2

| # | Part # | Description | QTY | NOTE |
|----|-----------------|---------------------------------------------------------------------------------|-----|------|
| 1 | WBL-92-044 | FRAME, DUCT ROUTING | 1 | |
| 2a | WBL-96-060B-FRU | DUCKBILL VALVE KIT FOR SANITATION FITTING (16 PC) | | |
| 2b | WBL-96-060-FRU | DUCKBILL VALVE KIT FOR SANITATION FITTING (2 PC) | | |
| 3b | 020008841-FRU | BIN, PRODUCT NON-ASEPTIC (RED or GRAY) (PRODUCT SHIPPED FROZEN) | | |
| 3c | 020008839 | BIN INSERT NON-ASEPTIC (RED OR GRAY) (PRODUCT SHIPPED FROZEN) | | |
| 3d | 020008842-FRU | BIN, PRODUCT ASEPTIC WITH ASEPTIC INSERT (BLACK) (PRODUCT SHIPPED REFRIGERATED) | | |
| 3e | 020008840 | BIN INSERT ASEPTIC (BLACK) (PRODUCT SHIPPED REFRIGERATED) | | |
| 4 | WBL-94-015 | BOTTOM DRIP TRAY | 1 | |
| 5 | WBL-92-198 | ASSY, DISPENSE SHELF TOP | 4 | |
| 6 | WBL-97-053 | STEPPER MOTOR ASSEMBLY | 8 | |
| 7 | WBL-92-214 | DISPENSE SHELF BOTTOM | 4 | |
| 8 | WBL-96-108 | RUBBER PUSH-IN GROMMET 11/16" THRU ID | 8 | |
| 9 | WBL-96-109 | RUBBER PUSH-IN GROMMET 3/4" THRU ID | 8 | |
| 10 | WBL-33-065-FRU | SANITATION FITTING,(NO ELBOWS) | 8 | |
| | WBL-96-110 | 1/4" TUBE OD UNION ELBOW (FOR SANI FITTING) | | |
| | WBL-96-111 | FITTING, ELBOW, 5/16" PTC X 5/16" PTC (FOR SANI FITTING) | | |
| | WBL-94-050 | SANITATION FITTING LATCH ONLY | | |
| 11 | WBL-99-146 | SCREW, M6 X 10MM LONG, PAN HEAD, PHILIPS | 16 | |
| 12 | WBL-99-142 | SCREW, M6 X 35MM LONG, PAN HEAD PHILIPS | 16 | |
| | WBL-96-060B-FRU | DUCKBILL VALVE KIT FOR SANITATION FITTING (16 PC) | | |
| | WBL-96-060-FRU | DUCKBILL VALVE KIT FOR SANITATION FITTING (2 PC) | | |
| | 020008186 | MOTOR SHAFT ALIGNMENT TOOL W/HANGER | | |

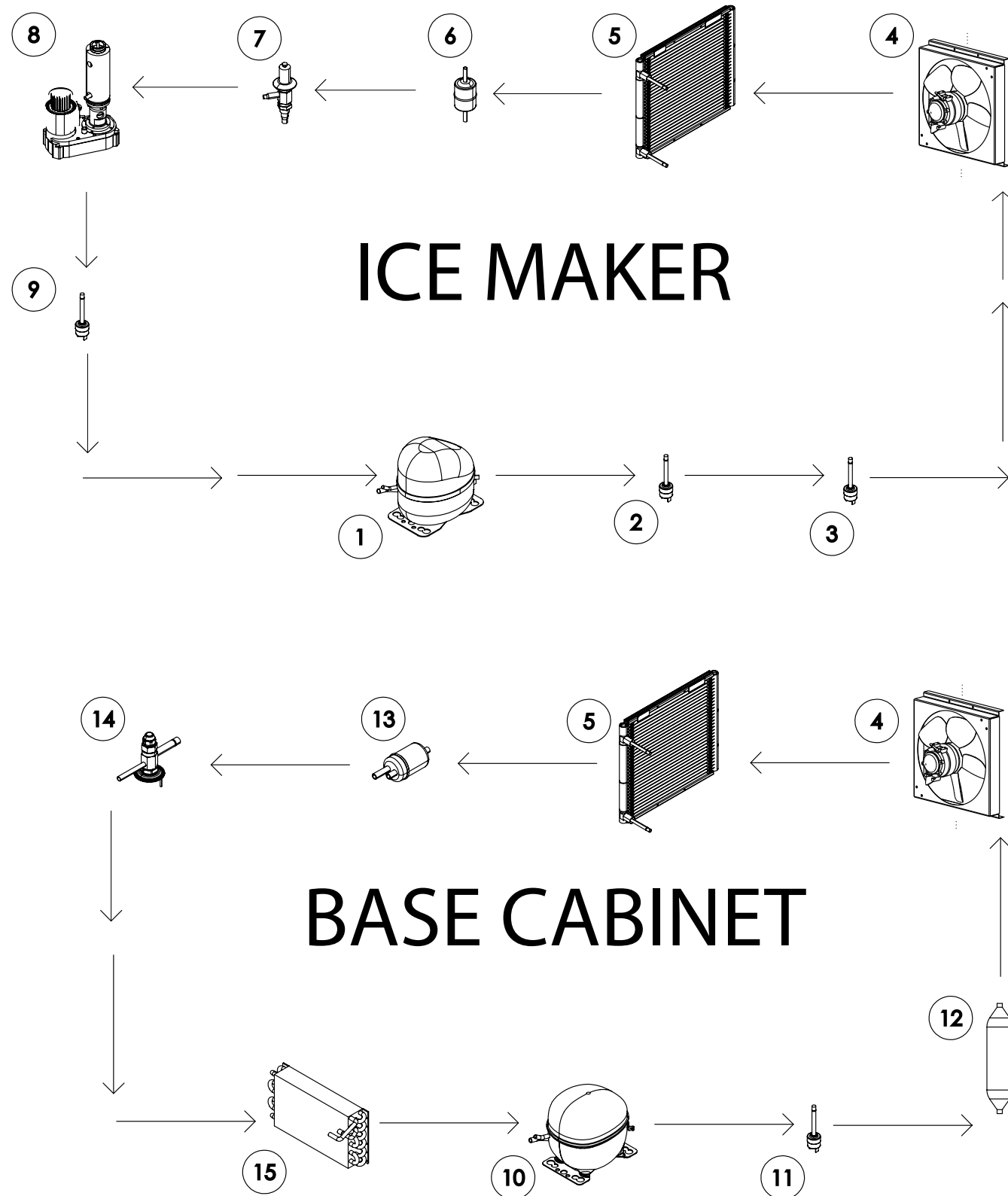
Evaporator Coil



Evaporator Coil

| # | Part # | Description | QTY | NOTE |
|----|----------------------------------------|----------------------------------------------|-----|------|
| 1 | WBL-33-059-FRU | EVAPORATOR BOX LID ASSEMBLY | 1 | |
| 2 | See "Refrigeration Systems" on page 45 | EVAPORATOR COIL ASSEMBLY | 1 | |
| 3 | 020008869 | EVAPORATOR FAN KIT 24 V (2 FANS AND HARNESS) | | |
| 3A | 020008771 | EVAP FAN 24VDC | | |
| 3B | WBL-93-084 | EVAP HARNESS 24V | | |
| 4 | WBL-93-088 | BLUE EVAP DEFROST PROBE | 1 | |
| 5 | 2186900-DEL | WHITE CABINET TEMP PROBE | 1 | |

Refrigeration Systems



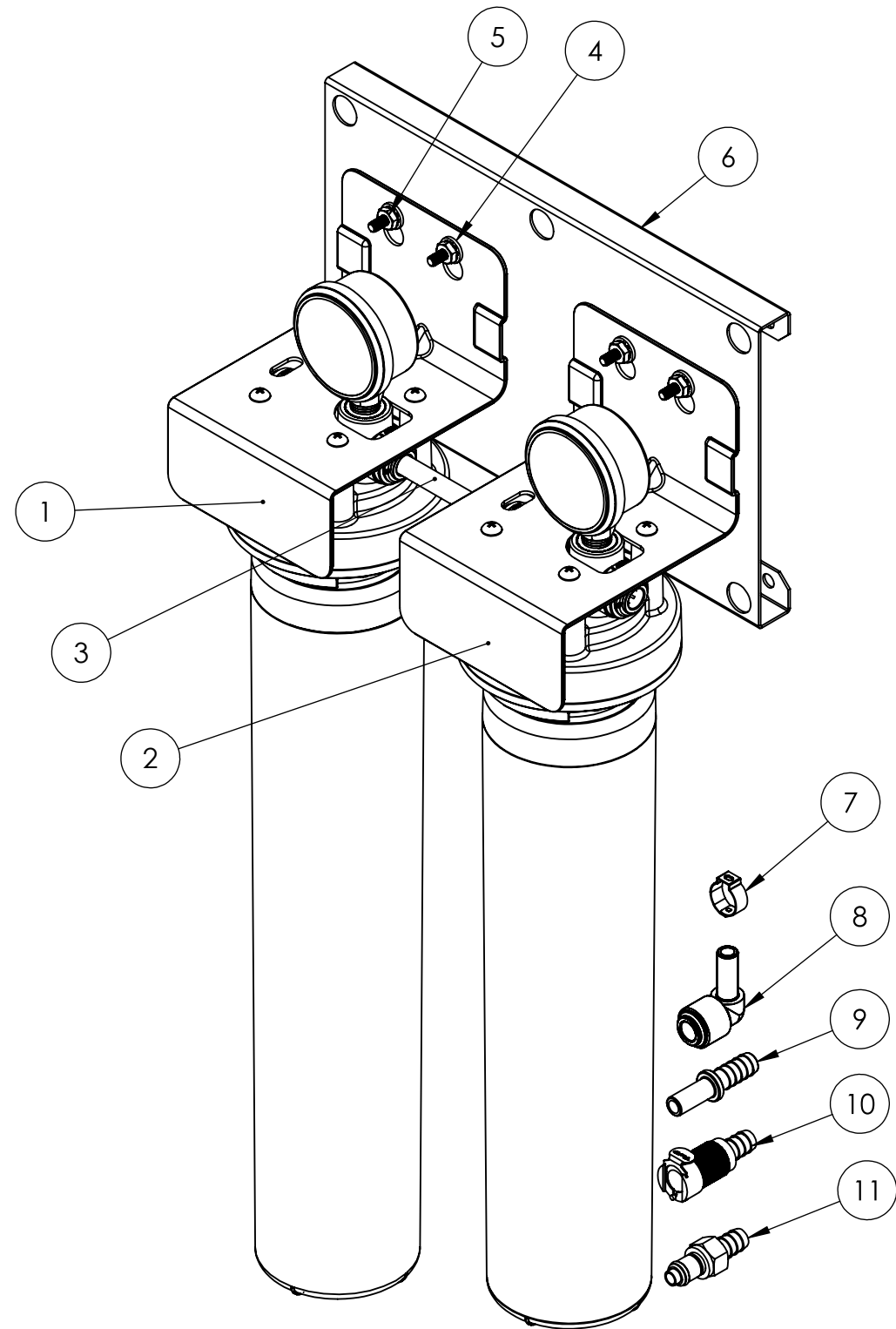
Refrigeration Systems

| # | Part # | Description | | |
|----|----------------|----------------|---------------|--------------------------------------|
| | | 120V R404A | 220V R404A | 230V 50Hz R290 |
| 1 | 8251193-S | 8251203-S | 020008301-FRU | ICE COMPRESSOR w/COMPONENTS & DRYER |
| - | 2002043 | 2004873 | 020009261 | ICE COMPRESSOR RELAY |
| - | 2002033-ORA | 2004863 | 020009263 | ICE COMPRESSOR CAPACITOR |
| - | 3516443 | 3516443 | N/A | COMP COVER, SMALL |
| - | N/A | N/A | 020009262 | OVERLOAD PROTECTOR |
| 2 | 000013508 | 000013508 | 000013507 | FAN CYCLE CUT-OFF SWITCH |
| 3 | 000013579 | 000013579 | 000013577 | HIGH PRESSURE CUT-OFF SWITCH |
| 4 | N/A | N/A | N/A | CONDENSER FAN |
| - | 2416223 | 2416223 | 2416223 | REAR CONDENSER FAN BLADE |
| - | 5475079 | 5475079 | 5475079 | COND FAN SPEED NUT - 0.25" x 20 |
| - | WBL-95-015 | 2412823 | 2412823 | CONDENSOR FAN MOTOR |
| 5 | WBL-97-012 | WBL-97-012 | WBL-97-012 | CONDENSER |
| 6 | 8253313 | 8253313 | 8253313 | FILTER DRIER |
| 7 | 000010515 | WBL-97-076 | 020008302 | AVX |
| 8 | 000008223 | 000008224 | 000008224 | ICE MAKER EVAPORATOR |
| 9 | 000013573 | 000013573 | 000013575 | LOW PRESSURE CUT-OFF SWITCH |
| 10 | 3526997-S | 3526994-S | 020008321-S | BASE COMPRESSOR w/COMPONENTS & DRYER |
| - | 3516446 | 3516451 | 020008322 | RELAY |
| - | 2194787 | 3526994 | 020008323 | START CAPACITOR |
| - | 3516443 | 3516443 | 020008324 | COMP COVER, SMALL |
| 11 | 000013579 | 000013579 | 000013577 | HIGH PRESSURE CUT-OFF SWITCH |
| 12 | NOT APPLICABLE | NOT APPLICABLE | 3510004 | RECEIVER TANK, R290 ONLY |
| 13 | 3516322 | 3516322 | 3516322 | FILTER DRIER |
| 14 | 3516394 | 3516394 | 3517414 | TXV |
| | 1701278 | | | TXV INSULATION |
| 15 | 3510084 | 3510084 | 3510084 | BASE EVAP COIL |

| Refrigerant | Voltage | System | Amount | Operating Pressure HI | Operating Pressure LOW |
|-------------|--------------|---------------------|----------------------|-----------------------|------------------------|
| R290 | 230V 50Hz | 1 (Base Cabinet) | 4.23 oz (120g) | 140 PSI | 32 PSI |
| | | 2 (Ice Maker) | 3.35 oz (95g) | 145 PSI | 24 PSI |
| R404A | 115V 60Hz | 1 (Base Cabinet) | 8.00 oz (226.8g) | 180 PSI | 32 PSI |
| | | 2 (Ice Maker) | 8.00 oz (226.8g) | 185 PSI | 31 PSI |
| | 230V 50Hz | 1 (Base Cabinet) | 10.00 oz (283.5g) | 170 PSI | 60 PSI |
| | | 2 (Ice Maker) | 8.00 oz (226.8g) | 150 PSI | 65 PSI |

NOTE: Always check the serial tag to verify system charge

Water Filtration Wall Mount



Water Filtration Wall Mount

| # | Part # | Description | QTY | NOTE |
|----|------------|------------------------------------------------------|---------------|------|
| | 020009252 | WATER FILTER RETROFIT KIT | | [1] |
| 1 | AR-PRE-P | ARTIC PURE PRE-FILTER WATER SYSTEM | 1 | |
| 1a | K00496 | AR-PRE-P CARTRIDGE ONLY (MANITOWOC PART) | | |
| 2 | AR-10000-P | 10000 GALLON | 1 | |
| 2a | K00496 | AR-10000-P CARTRIDGE ONLY (MANITOWOC PART) | | |
| 3 | 1702022 | TUBING,3/8ODX1/4ID, CLEAR BLUE | 5' | |
| 4 | 030000678 | WASHER #10 13/64" ID X 1/2" OD X 0.040 SS | 4 | |
| 5 | 00850705 | NUT #10-32 HEX W/LOCK | 4 | |
| 6 | 020009253 | BRKT WALL MNT AR FILTERS | 1 | |
| 7 | 17.0-706R | CLAMP STEPLESS SS | 2 | |
| 8 | 3547917 | ELBOW, 3/8" STEM X 3/8" TUBE | 2 | |
| 9 | WBL-96-069 | FITTING, PTC ADAPTER, 3/8" STEM OD, FOR 3/8" TUBE ID | 2 | |
| 10 | 3547347 | CPLNG LC FEM VLVD INLINE 3/8 BARB | 1 | |
| 11 | MCP00246 | CPLNG LC MAL VLVD INLINE 3/8 BARB | 1 | |
| | WBL-96-058 | CLIP,LOCKING,FOR 3/8 IN TUBE PTC | 4 | |
| | MCP00262 | O-RING,NSF,#731112, FOR MCP00246 | 2 | |
| | 02-0584 | TUBING BRAIDED 3/8 ID RYAN HERCO #0512-071 | 20' (6.1m) | |
| | 000016341 | FILTER MANUAL ONLY (NOT KIT INSTRUCTIONS) | 1 | |

PART NOTES

[1] CONTACT LOCAL DISTRIBUTOR FOR THIS PART

Cleaning



Cleaning

| # | Part # | Description | QTY | NOTE |
|----|----------------|----------------------------------------------------------------------|-----|---------|
| 1 | 020008504 | CLEANING KIT | | |
| 1a | 020007803 | SPRAY BOTTLE, HDPE NAT, STERA-SHEEN LABELED | 1 | [1] [4] |
| 1b | 020007802 | 2.5 GAL SHAKER JUG, HDPE NAT, STERA-SHEEN LABELED | 1 | [1] [4] |
| 1c | 020007801 | CLEANER/SANITIZER, STERA-SHEEN GREEN LABEL, 2- 4LB JARS | 1 | [1] [4] |
| 1d | WBL-94-063 | CUP, 2-5/16 BTM DIA, 5-13/16 TALL, 16OZ, CLEAR | 2 | [2] [4] |
| 1e | WBL-94-064 | CUP, 2-5/16 BTM DIA, 5-13/16 TALL, 16OZ, BOTTOMLESS, 1-1/8" DIA HOLE | 1 | [3] [4] |
| 1f | 020007879 | 15' FOIL WRAPPED CHLORINE TEST STRIP, STERA-SHEEN LABELED | 1 | [1] [4] |
| 1g | 020008349 | DRAIN CLEANER, 6-1QT BOTTLES AND 1 PORTION CONTROL TOP | | [4] |
| 2 | WBL-33-041-FRU | CIP INTAKE LINE | 1 | [2] |
| 2a | MCP00262 | O-RING 5/16" X 7/16" DASH 011 | | |
| 2b | MCP00246 | QUICK DISCONNECT, METAL (RECOMMENDED) | | |
| 2c | WBL-96-087 | QUICK DISCONNECT, PLASTIC (ORIGINAL TO HOSE) | | |
| 2d | WBL-96-127 | CIP HOSE MESH STRAINER ONLY | | |
| 2f | WBL-96-138 | CIP HOSE MESH STRAINER CONNECTOR ONLY | | |
| 2g | WBL-96-083 | PVC TUBING . HIGH PRESSURE, 3/8" ID, 19/32" OD | | |
| 3 | 020007990 | ICE REMOVAL/DUMP CHUTE (with Instruction 020008114) | 1 | |
| | 000000084 | ICE MAKER DESCALE PINT | | |
| | 9405803 | ICE MAKER DESCALE GALLON | | |
| | 020009160 | PM KIT GENERAL MARKET | | |
| | 020009161 | PM KIT AUSTRALIA | | |

PART NOTES

| | |
|-----|------------------------------------|
| [1] | SUPPLIER/MFG: PURDY PRODUCTS |
| [2] | SUPPLIER/MFG: FLEX |
| [3] | SUPPLIER/MFG: CARLISLE FOODSERVICE |
| [4] | INCLUDED IN CLEANING KIT |