



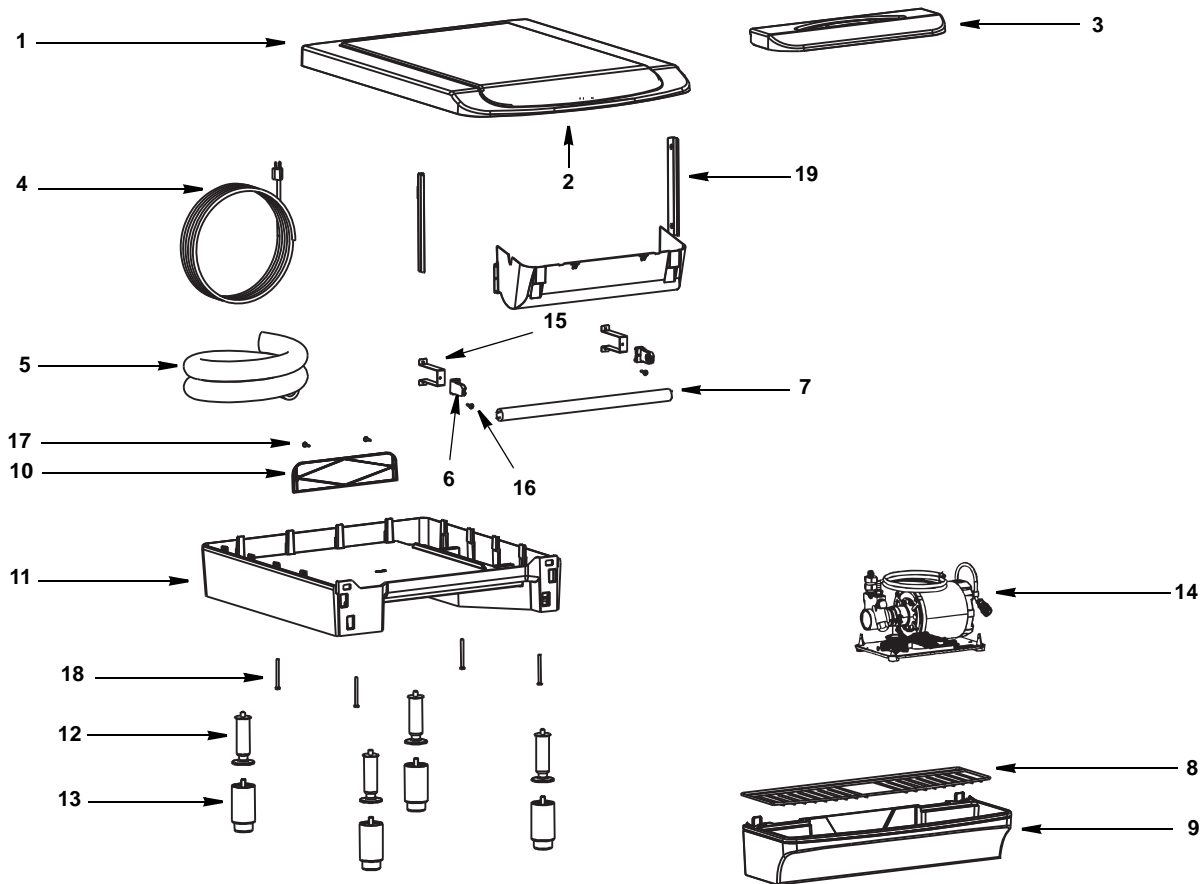
## **Flav'R-Pic Multi-Beverage / Selectable Ice Dispenser Parts List for Models**

**FRP-250**

**FRP-250SCI**

**FRP-250 TB**

# FRP-250 & FRP-250SCI LID, SPLASH PANELS, BASE, PUMP DECK



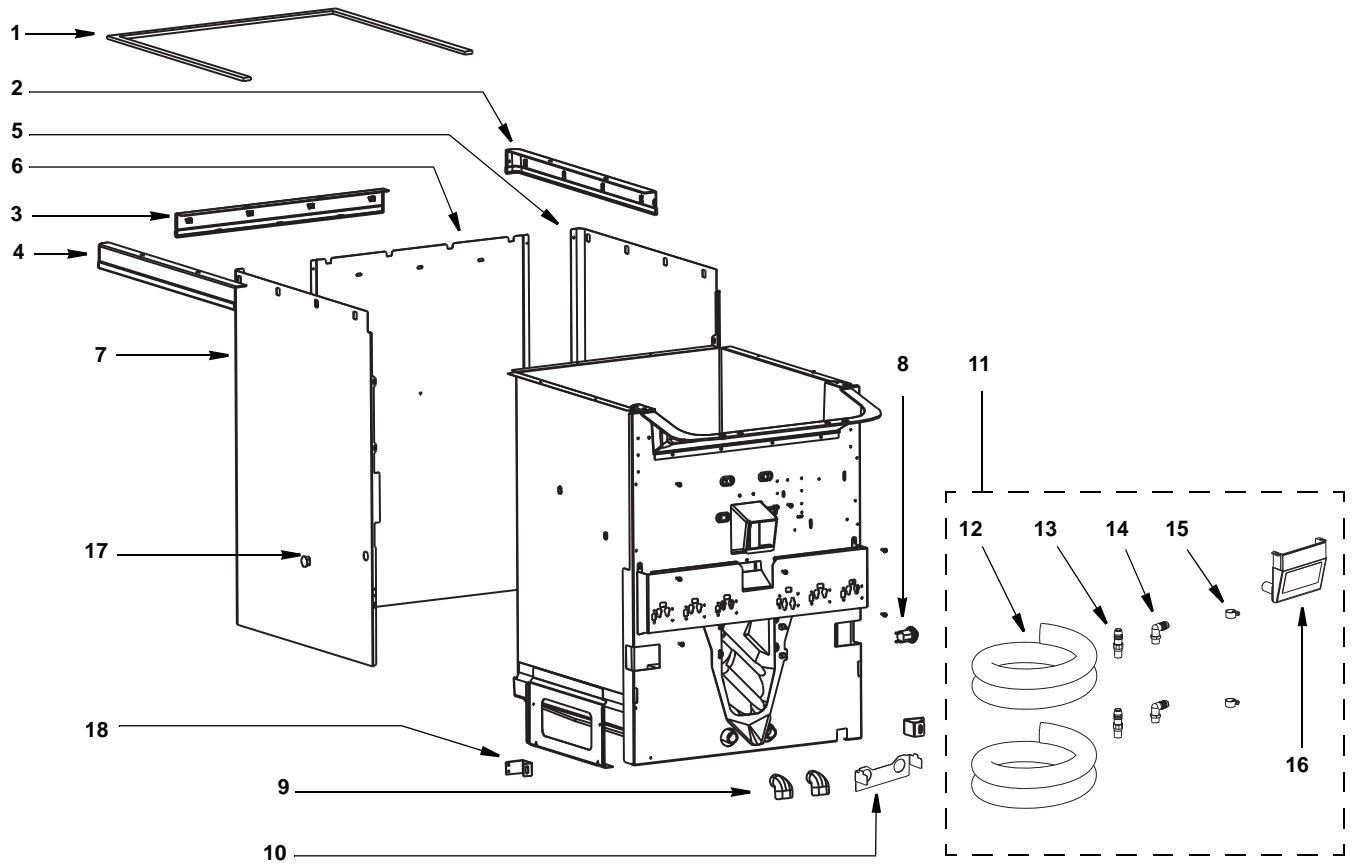
## DESCRIPTION

DESCRIPTION	PART NO.
1 Lid.....	5012179
2 Sticker "Danger Tag".....	0301249
3 Manual Fill Ice Lid (Black).....	5012116
4 Cord Electric (Agitator Motor).....	5008642
5 Drain Kit.....	2602528
6 Socket End Light.....	1001001
7 Fluorescent Tube (24").....	5012827
<b>8 Grid</b>	
a. FRP-250.....	5012250
b. FRP-250SCI Open Center.....	020002865
c. Reduced Spacing Grid.....	020000156
9 Drain pan (30") w/ Gasket.....	020000900
10 Plate Base Rear Cover.....	020000408
11 Base.....	020000399
12 Leg 3/8 - 16 X 4.....	5013595
13 Leg 2" Dia X 4-6" W/ 3/8-16 Stud.....	020000398
<b>14 Pump Deck</b>	
a. 115V, 1/3 Hp.....	15-3120
b. 220V, 1/3 Hp.....	15-3198

## Miscellaneous - Brackets, Screw, Etc.

15 Bracket Lt Socket.....	7050046
16 8-32 X 1/2 Flat Head Screw.....	0900504
17 Screw #8x3/4" Ph Tr Hd A Blk.....	5007697
18 12 X 2 1/2 Pan Head Screw.....	5027731
19 Medallion Support Bracket.....	5031493

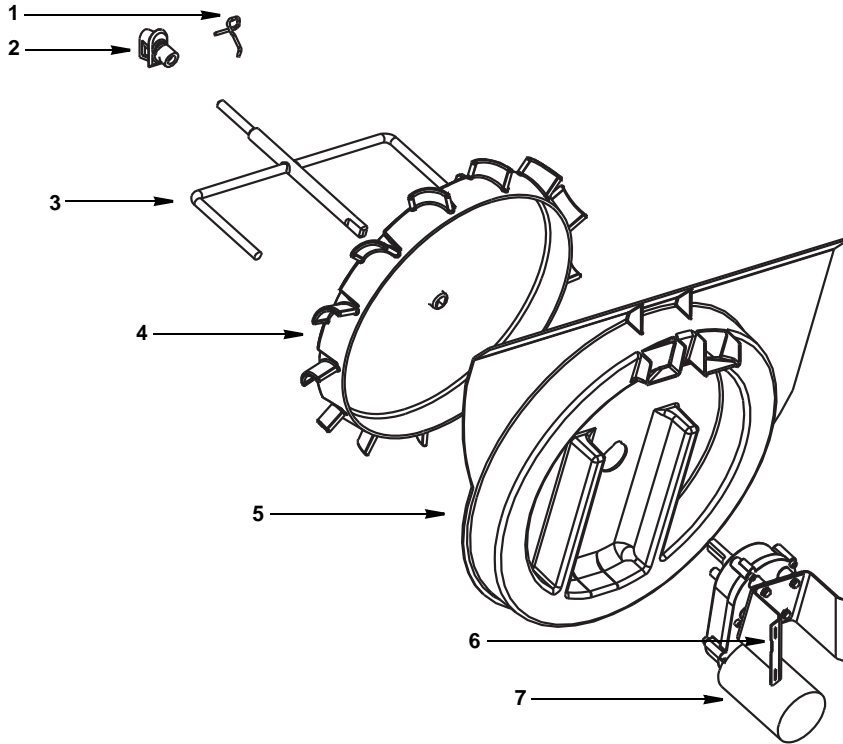
# FRP-250 & FRP-250SCI PANELS, TRIM, & COLLECTOR BOX



## DESCRIPTION

	<b>PART NO.</b>
1 Gasket (Rectangular Profile) .....	5007756
2 Trim Cosmetic Top Right (Black) .....	5011890
3 Trim Cosmetic Top Back .....	5012150
4 Trim Cosmetic Top Left (Black) .....	5011889
<b>5 Panel Side Right</b>	
a. Standard .....	020001455
b. Pepsi .....	020000648
6 Panel Rear .....	020000503
<b>7 Panel Side Left</b>	
a. Standard .....	020001456
b. Pepsi .....	020000619
8 Key Switch .....	5000220
9 Elbow 90 Degree Rubber .....	5010337
10 Collector Box Bracket .....	020003881
11 Collector Box Insulated Bin Drain Kit .....	020003918
12 Tubing 3/4" ID X 1" OD Vinyl .....	1200419
13 Fitting, 3/4" MALE 1/2" NPT Long Barb .....	020003707
14 90 Degree Elbow 3/4" Barb X 1/2" MPT .....	020003415
15 Clamp Radiator Size 12 SS 1 1/4" Radius .....	0903203
16 Collector Box with Insulation .....	020003916
<b>Miscellaneous - Brackets, Screw, Etc.</b>	
17 Heyco Plug .....	1200303
18 Clip Splash Panel .....	5028398

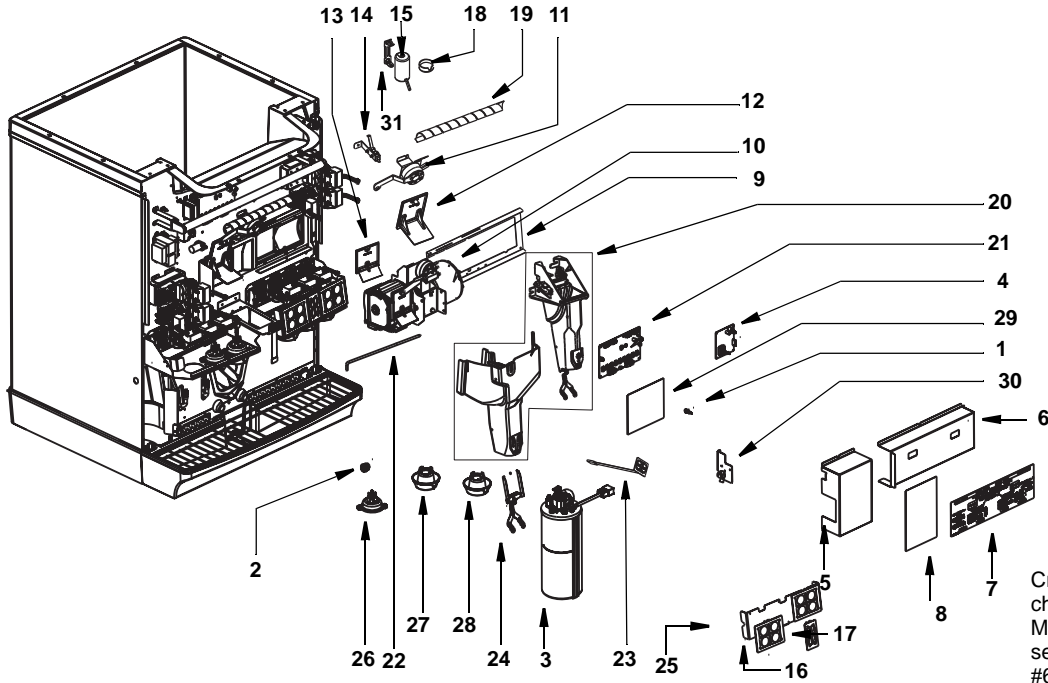
# FRP-250 & FRP-250SCI FRONT SERVICEABLE DRIVE TRAIN & ICE BIN COMPONENTS



## DESCRIPTION

	DESCRIPTION	PART NO.
1	Clip Hitch Pin .....	020002668
2	Mushroom Bushing .....	020001418
3	Agitator .....	020001568
4	Paddle Wheel Plastic Double D .....	020001423
5	<b>Paddle Wheel Area</b>	
	a. FRP-250SCI (With Crusher) .....	020000867
	b. FRP-250 (Without Crusher) .....	5027733
6	<b>Motor Mount Assembly</b> .....	<b>020001703</b>
	a. Bolts 1/4-20x5/8" SS Hhcs .....	0900601
	b. Retaining Pin .....	4140023
7	Front Serviceable Motor 115V .....	020003596

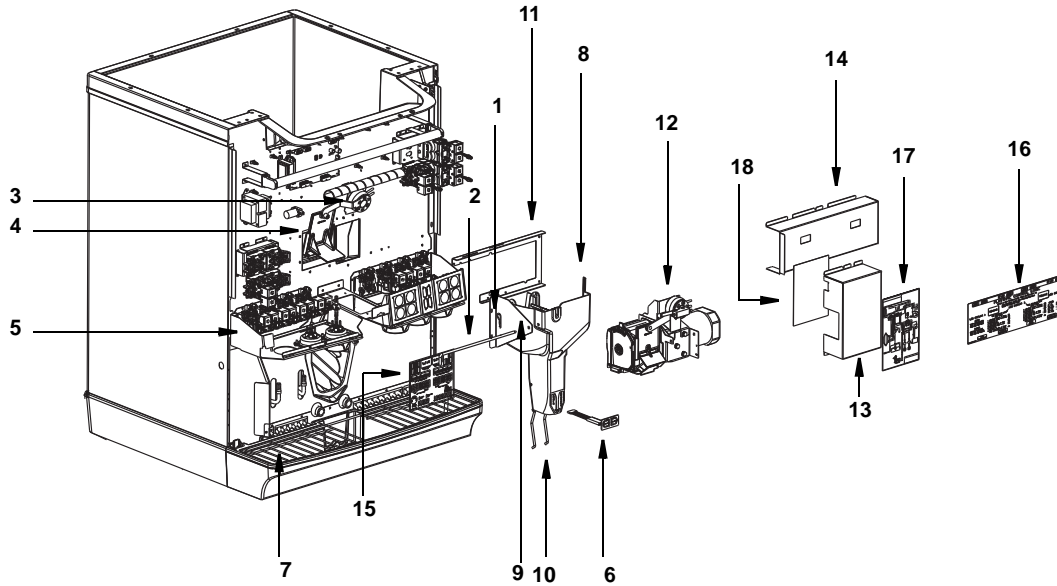
# FRP-250 & FRP-250SCI WITH GEN I MOTOR



## DESCRIPTION

	DESCRIPTION	PART NO.
1	Standoff 3/8 High	02012539
2	Plug Heyco Cord Strain Relief	1200301
3	Vertical Carbonator Tank, McCann's	5031860
4	Control Board 120v (FRP-250SCI with Crusher Only)	020000875
5	Electrical Box Left	020001921
6	Electrical Box Right	020001922
7	Label Wiring Controls	020003733
8	<b>Label Wiring 115/60</b>	
a.	FRP-250SCI (with Crusher)	020001892
b.	FRP-250 (without Crusher)	020002260
9	Channel Motor Mount (FRP-250SCI with Crusher Only)	020000993
10	Ice Crusher Assembly (FRP-250SCI with Crusher Only)	020000878
11	Solenoid Assembly (FRP-250SCI with Crusher Only)	020000951
12	Door Whole Ice (FRP-250SCI with Crusher Only)	020000874
13	Door Crushed Ice (FRP-250SCI with Crusher Only)	020000879
14	Microswitch Safety	020001140
15	Capacitor Crusher (FRP-250SCI with Crusher Only)	5031515
16	Brand Keypad/Harness	020003713
17	<b>Flavor Shot Keypad</b>	
a.	FRP-250 & FRP-250 SCI (w/ Flavor Shots)	020003712
b.	FRP-250 & FRP-250 SCI (w/o Flavor Shots)	020003714
18	Cap Capacitor Motor (FRP-250SCI with Crusher Only)	020000201
19	Wire Wrap (FRP-250SCI with Crusher Only)	020001285
20	<b>Ice Chute</b>	
a.	FRP-250SCI (with Crusher)	020000914
b.	FRP-250 (without Crusher)	020002317
21	FRP Control Board	020003711
22	Rod Selectable Ice (FRP-250SCI with Crusher Only)	020000952
23	Cubed/Crushed Keypad (FRP-250SCI with Crusher Only)	020002252
24	<b>Lever Sanitary</b>	
a.	FRP-250	020001621
b.	FRP-250 SCI	020002869
c.	FRP-250 TB	5031758
25	Touch Pad Mount	020001751
26	<b>Nozzle Mount</b>	020001779
a.	O-ring	020002018
b.	Mounting Nut	020002594
27	Nozzle Decorative w/Diffuser	020003079
28	Nozzle Decorative Flavor Shot	020002046
	<b>Miscellaneous - Brackets, Screw, etc.</b>	
29	Plumbing Diagram	020001891
30	Strain Relief Bracket	020001856
31	Bracket Capacitor Mtr ED-8110-1 (FRP-250SCI with Crusher Only)	5031516
—	Flavor Label Packet	020002028
—	Relay Motor ED-8110-1	5031518
—	Harness Wiring	020000315
—	Harness Kit - Harness/Keypad W /Flavor Shot	020003731
—	Harness Activation Switch	020000335
—	Harness Selectable Ice Keypad	020000336
—	Harness Transformer	020000337
—	Harness Control Board	020000338
—	Harness Solenoid	020001800
—	Harness Power	020001802
—	Harness Sync	020001803
—	Harness Adapter	020001839
—	Harness Adapter 2	020002907
—	Harness Solenoid Ext 2 Pin	020002016
—	Harness Power Adapter	020002017

# FRP-250SCI WITH LINIX CRUSHER MOTOR

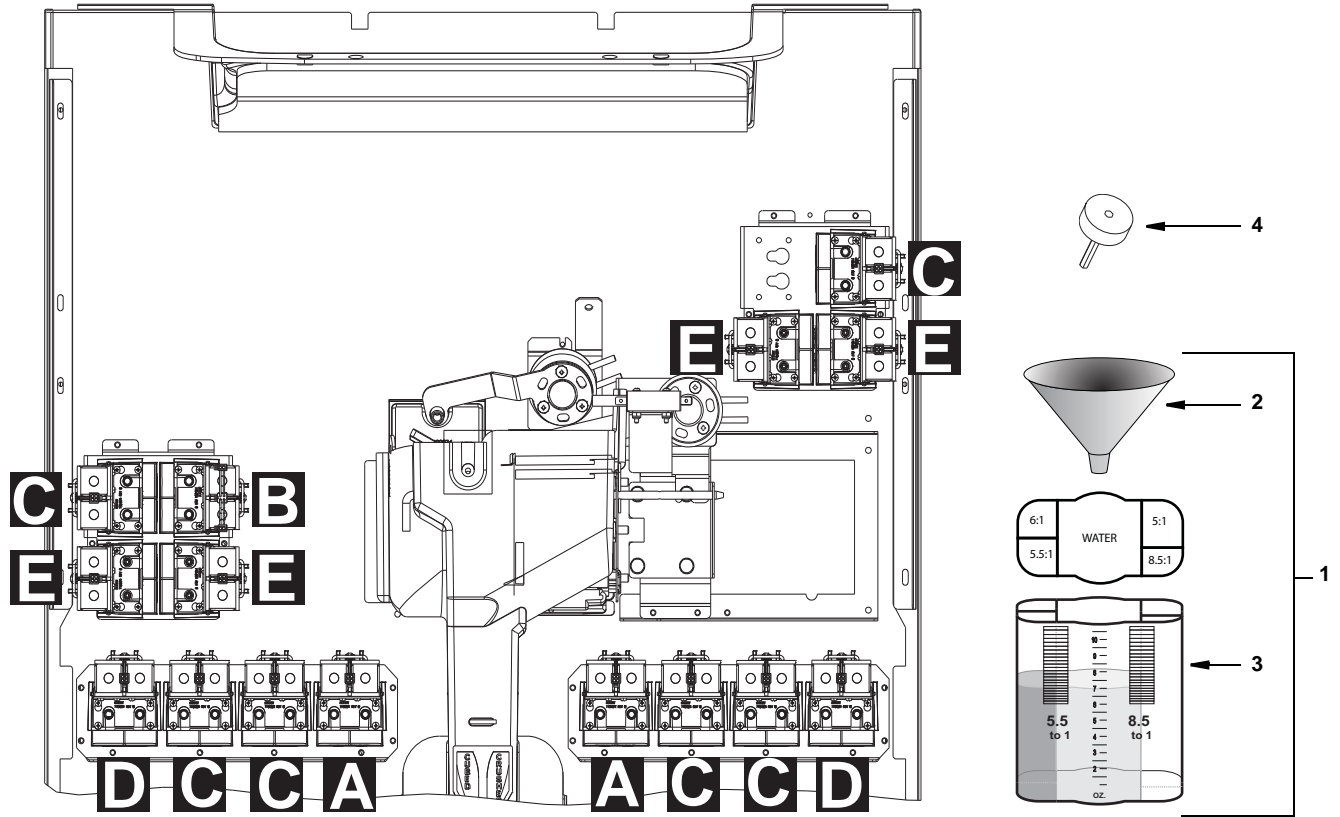


Crusher components  
changed to Linix  
Motors starting with  
serial numbers:  
#610090050 & up

## DESCRIPTION

	<b>PART NO.</b>
1 Ice Chute Rod Clip Hitch Pin .....	5012374
2 Rod Selectable Ice (FRP-250SCI With Crusher Only) .....	020000952
3 Solenoid Assy (FRP-250SCI with Crusher Only) .....	020000951
4 Door Whole Ice (FRP-250SCI with Crusher Only) .....	020000874
<b>5 Plate Nozzle Mounting</b>	
a. FRP-250 .....	020002038
b. FRP-250SCI .....	020002833
6 Cubed/crushed Keypad .....	020002252
7 Grid Open Center .....	020002865
8 Chute Decorative .....	020002932
9 Rocking Chute Support Rod .....	020002971
10 Lever - Open Center .....	020002869
11 Motor Mount Channel .....	020003024
12 Ice Crusher Assembly .....	020003087
13 Electrical Box Left .....	020001921
14 Electrical Box Right .....	020001922
<b>Miscellaneous - Brackets, Screw, etc.</b>	
15 Plumbing Diagram .....	020001891
16 Label - Wiring Controls .....	020003733
17 FRP Wiring Label 115/60 .....	020003042
18 Ladder Wiring Label 115/60 .....	020003044
— Flavor Label Packet .....	020002028
— Harness Solenoid .....	020001800
— Selectable Ice Keypad Harness 8 to 9 Pin .....	020000336
— Sync Harness 4 Pin .....	020001803
— Power Harness .....	020001802

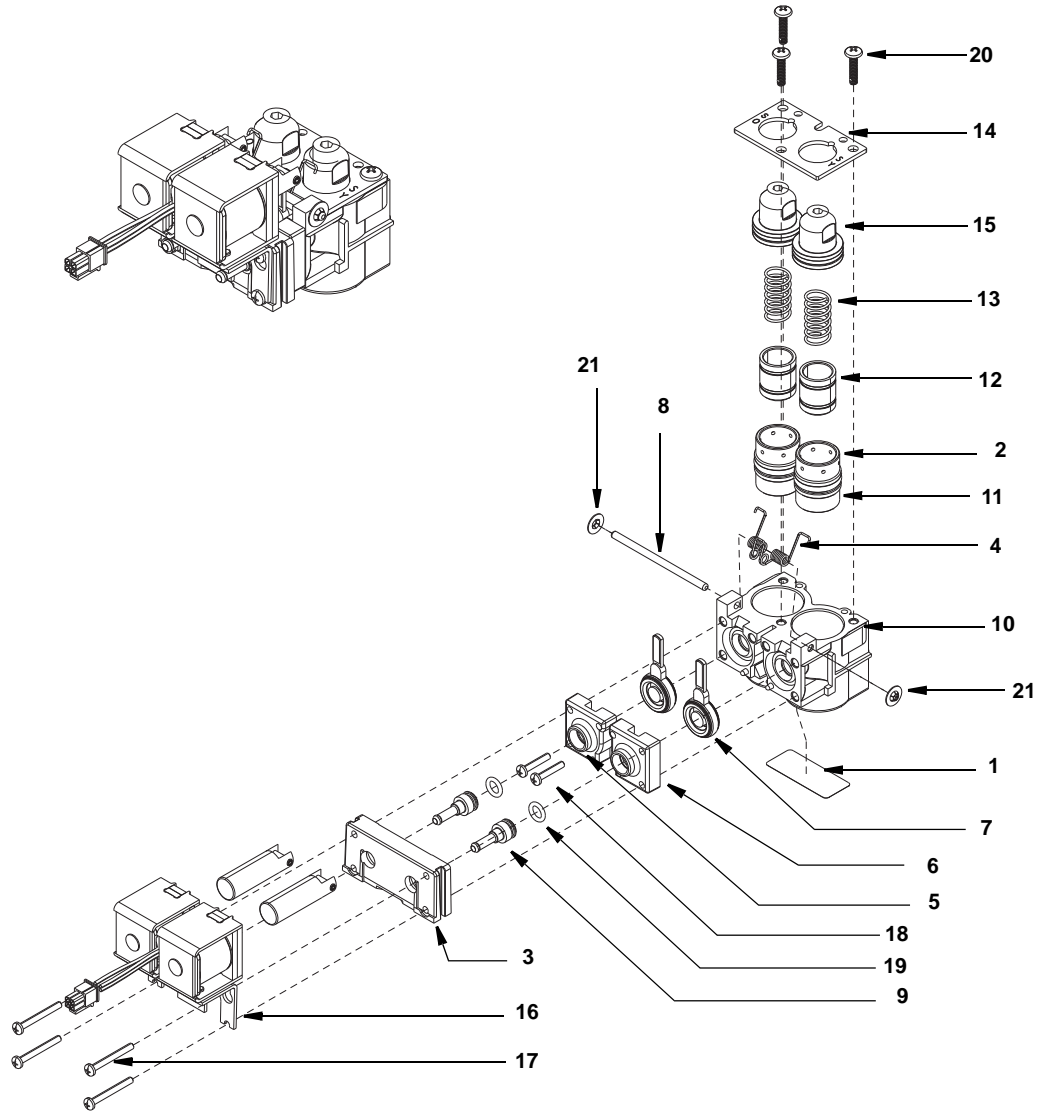
# FRP-250 / FRP-250SCI VALVE LAYOUT & BRIX TOOLS



## DESCRIPTION

	<b>DESCRIPTION</b>	<b>PART NO.</b>
A.	464 Soda/Soda .....	464-CSO-D27
B.	464 Syrup/Syrup .....	464-CSY-D23
C.	464 Syrup/Syrup .....	464-CSY-D27
D.	464 Soda/Syrup .....	464-GP-D27
E.	464 Syrup/Syrup (Flavor Shot Valves) .....	464-CSY-D24-SP
1	Brix Cup with Funnel .....	020003329
2	Brixing Funnel .....	020000907
3	High Viscosity Brix Cup .....	99-9440
4	Brixing Tool (for valve adjustment) .....	020002864

## 464-CSO-D24 (464 WATER/WATER VALVE)



### DESCRIPTION

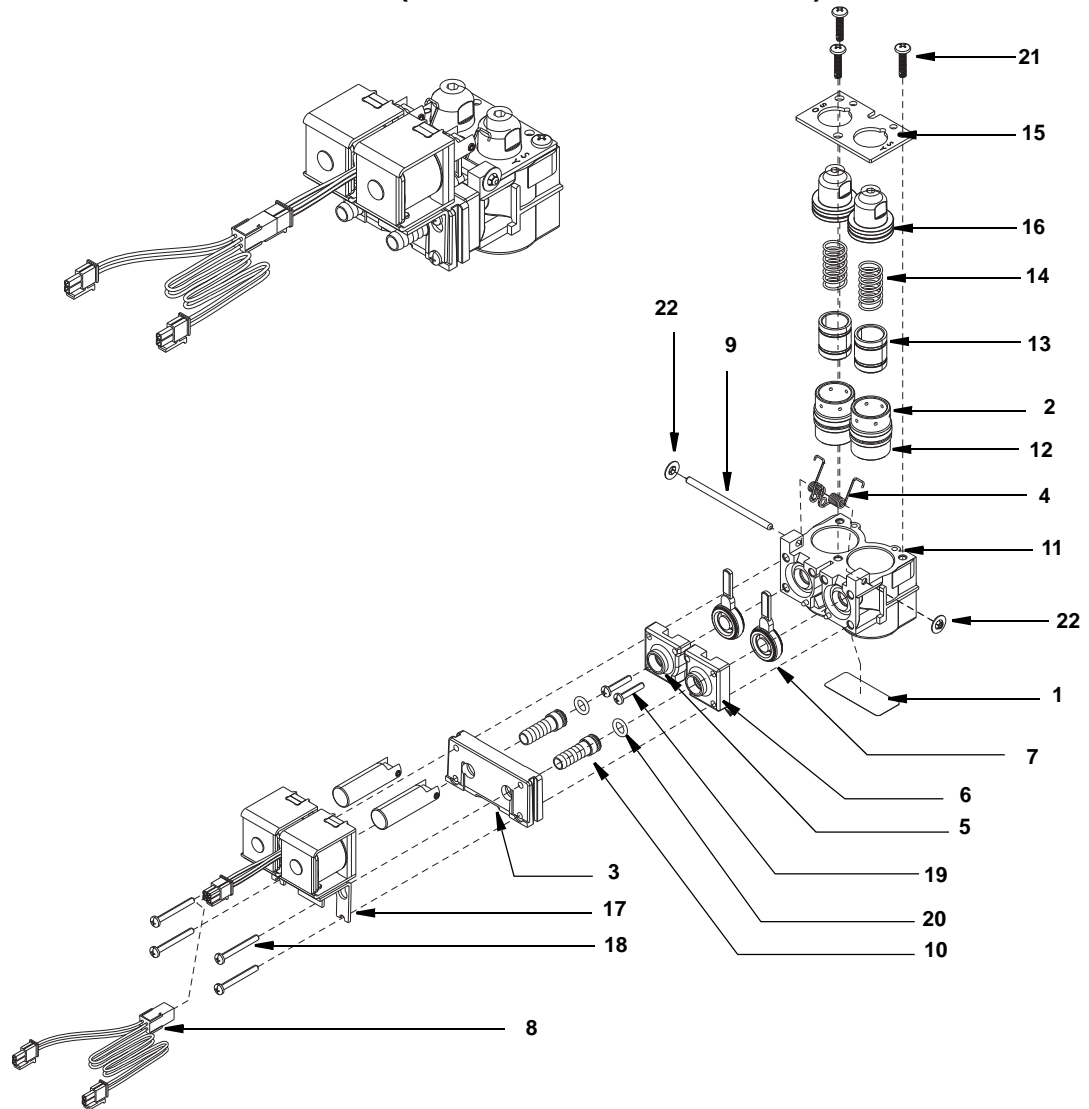
1	Tag Flo Blank .....	5012603
2	O-ring Sleeve .....	5028273
3	Diffuser Block 407 .....	507-28-6
4	Spring Coil Pallet Retainer .....	511-04
5	Orifice Cap GP Lft Blk .....	512-02-G
6	Orifice Cap GP Rt Blk .....	513-02-G
7	Pallet Bearing Pad Set .....	515-30
8	Pivot Pin Long .....	524-02
9	Fitting 1/4 Barb Outlet .....	555-30
10	Flow Control Base 464 #8 .....	600-47-G
11	Cylinder HF .....	602-03
12	Soda Piston GP .....	604-04-G
13	Spring Flow Control HF Soda .....	605-02
14	Retainer Plate 6-32 .....	610-04
15	Flow Rate Adjuster 464GP .....	643-00
16	FRP Dual Solenoid .....	770-D24

### PART NO.

### Miscellaneous - Brackets, Screws, etc.

17	Screw 4-40 X 1-1/8 18-8 PH PAN HD M/S .....	020003478
18	Screw 4-40x5/8 .....	510
19	O-ring 010 .....	543
20	Screw #8 X 5/8 Ph Hi-Lo 18-8 .....	020001284
21	Nut Push 1/8 Galv. ....	020002594

## 464-CSY-D23 (464 SYRUP/SYRUP VALVE)



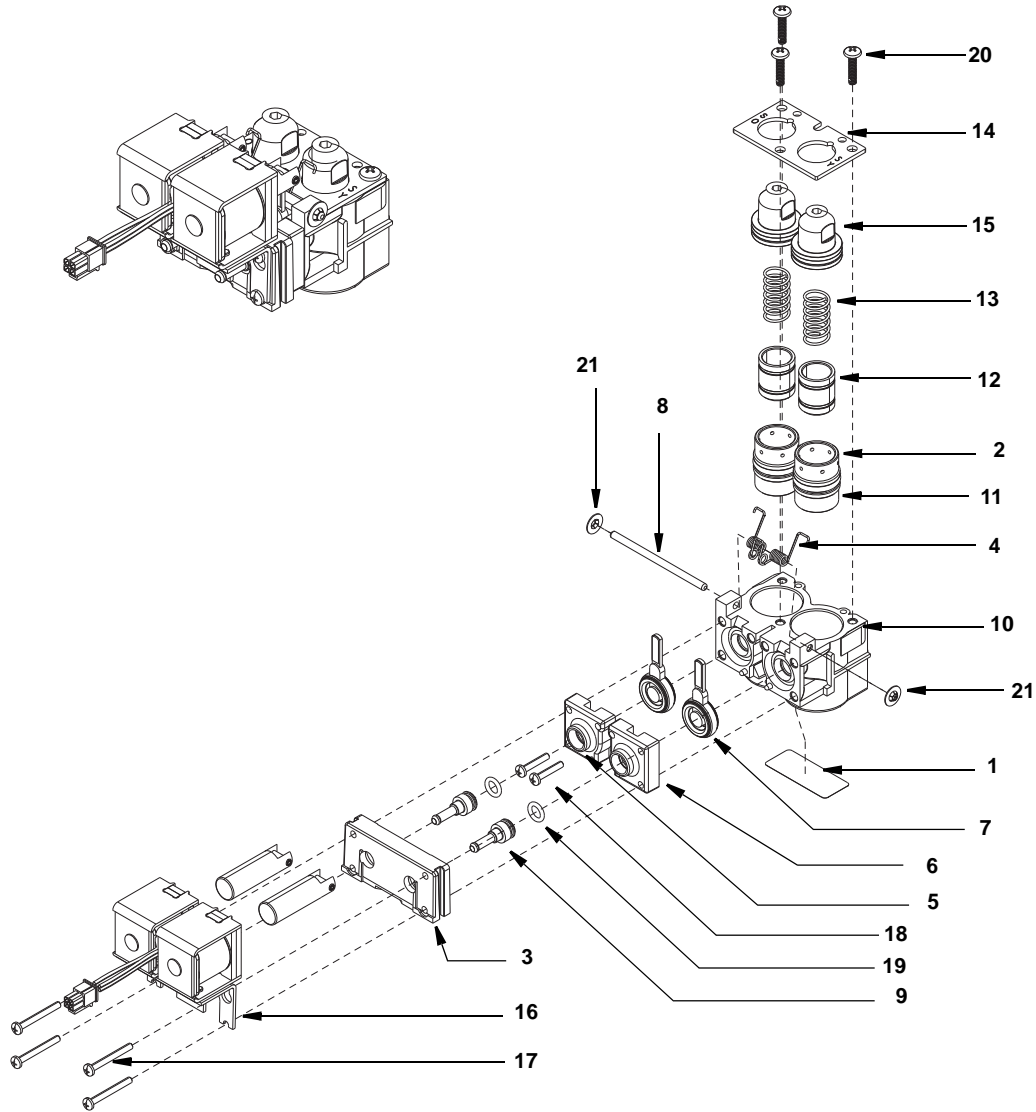
### DESCRIPTION

DESCRIPTION	PART NO.
1 Tag Flo Blank .....	5012603
2 O-ring Sleeve .....	5028273
3 Diffuser Block 407 .....	507-28-6
4 Spring Coil Pallet Retainer .....	511-04
5 Orifice Cap GP Lft Blk .....	512-02-G
6 Orifice Cap GP Rt Blk .....	513-02-G
7 Pallet Bearing Pad Set .....	515-30
8 Harness, D23 Adapter .....	020002907
9 Pivot Pin Long .....	524-02
10 Fitting 1/4 Barb Outlet .....	555-30
11 Flow Control Base 464 #8 .....	600-47-G
12 Cylinder .....	602-02
13 Syrup Piston .....	603-02
14 Spring Flow Control 7 Coil .....	605-01
15 Retainer Plate 6-32 .....	610-04
16 Flow Rate Adjustment 464GP .....	643-00
17 FRP Dual Solenoid .....	770-D24

### Miscellaneous - Brackets, Screws, etc.

18 Screw 4-40x1 .....	020003478
19 Screw 4-40x5/8 .....	510
20 O-ring 010 .....	543
21 Screw #8 X 5/8 Ph Hi-Lo 18-8 .....	020001284
22 Nut Push 1/8 Galv .....	020002594

## 464-CSY-D24 (464 SYRUP/SYRUP VALVE)



### DESCRIPTION

1	Tag Flo Blank .....	5012603
2	O-ring Sleeve .....	5028273
3	Diffuser Block 407 .....	507-28-6
4	Spring Coil Pallet Retainer .....	511-04
5	Orifice Cap GP Lft Blk .....	512-02-G
6	Orifice Cap GP Rt Blk .....	513-02-G
7	Pallet Bearing Pad Set .....	515-30
8	Pivot Pin Long .....	524-02
9	Fitting 1/4 Barb Outlet .....	555-30
10	Flow Control Base 464 #8 .....	600-47-G
11	Cylinder .....	602-02
12	Syrup Piston .....	603-02
13	Spring Flow Control 7 Coil .....	605-01
14	Retainer Plate 6-32 .....	610-04
15	Flow Rate Adjuster 464GP .....	643-00
16	FRP Dual Solenoid .....	770-D24

### PART NO.

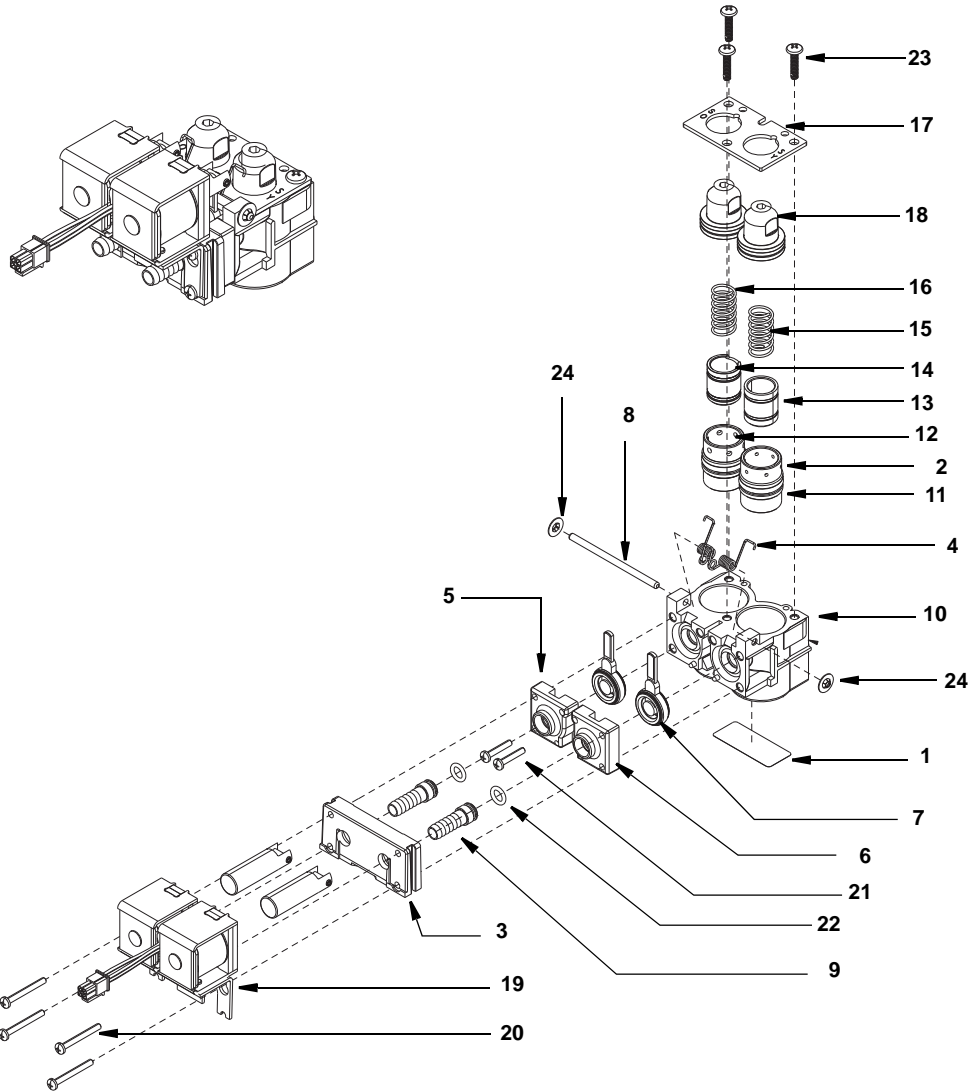
5012603
5028273
507-28-6
511-04
512-02-G
513-02-G
515-30
524-02
555-30
600-47-G
602-02
603-02
605-01
610-04
643-00
770-D24

### Miscellaneous - Brackets, Screws, etc.

17	Screw 4-40x1 .....	020003478
18	Screw 4-40x5/8 .....	510
19	O-ring 010 .....	543
20	Screw #8 X 5/8 Ph Hi-Lo 18-8 .....	020001284
21	Nut Push 1/8 Galv. ....	020002594

020003478
510
543
020001284
020002594

## 464-GP-D24 (464 WATER/SYRUP VALVE)



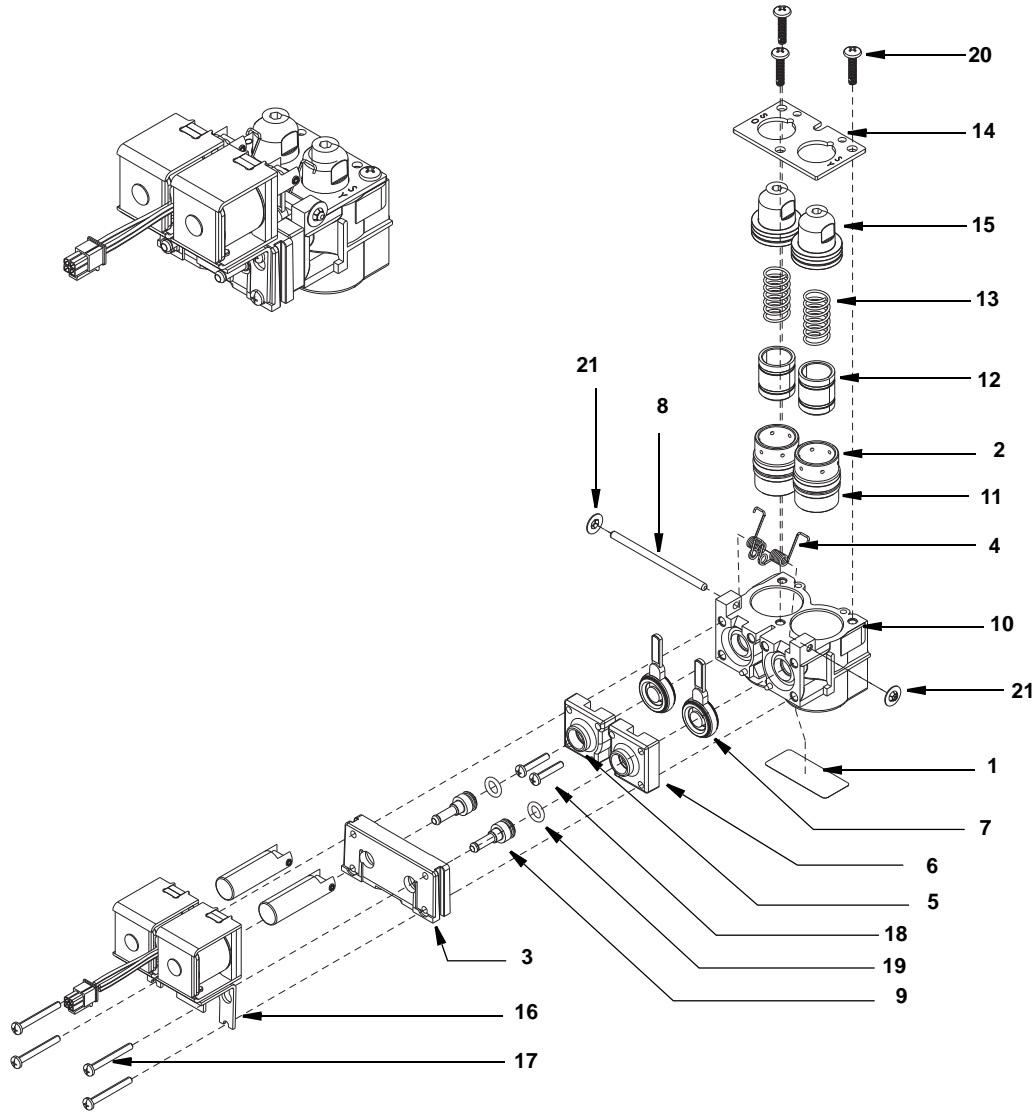
### DESCRIPTION

DESCRIPTION	PART NO.
1 Tag Flo Blank .....	5012603
2 O-ring Sleeve .....	5028273
3 Diffuser Block 407 .....	507-28-6
4 Spring Coil Pallet Retainer .....	511-04
5 Orifice Cap GP Lft Blk .....	512-02-G
6 Orifice Cap GP Rt Blk .....	513-02-G
7 Pallet Bearing Pad Set .....	515-30
8 Pivot Pin Long .....	524-02
9 Fitting 1/4 Barb Outlet .....	555-30
10 Flow Control Base 464 #8 .....	600-47-G
11 Cylinder .....	602-02
12 Cylinder HF .....	602-03
13 Syrup Piston .....	603-02
14 Soda Piston GP .....	604-04-G
15 Spring Flow Control 7 Coil .....	605-01
16 Spring Flow Control HF Soda .....	605-02
17 Retainer Plate 6-32 .....	610-04
18 Flow Rate Adjustment 464GP .....	643-00
19 FRP Dual Solenoid .....	770-D24

### Miscellaneous - Brackets, Screws, etc.

20 Screw 4-40x1 .....	020003478
21 Screw 4-40x5/8 .....	510
22 O-ring 010 .....	543
23 Screw #8 X 5/8 Ph Hi-Lo 18-8 .....	020001284
24 Nut Push 1/8 Galv .....	020002594

## 464-CSY-D24-SP (464 SYRUP/SYRUP VALVE)



### DESCRIPTION

1	Tag Flo Blank	.....
2	O-ring Sleeve	.....
3	Diffuser Block 407	.....
4	Spring Coil Pallet Retainer	.....
5	Orifice Cap GP Lft Blk	.....
6	Orifice Cap GP Rt Blk	.....
7	Pallet Bearing Pad Set	.....
8	Pivot Pin Long	.....
9	Fitting 407 In-line	.....
10	Flow Control Base 464 #8	.....
11	Cylinder	.....
12	Syrup Piston	.....
13	Spring Flow Control 7 Coil	.....
14	Retainer Plate 6-32	.....
15	Flow Rate Adjustment 464GP	.....
16	FRP Dual Solenoid	.....

### PART NO.

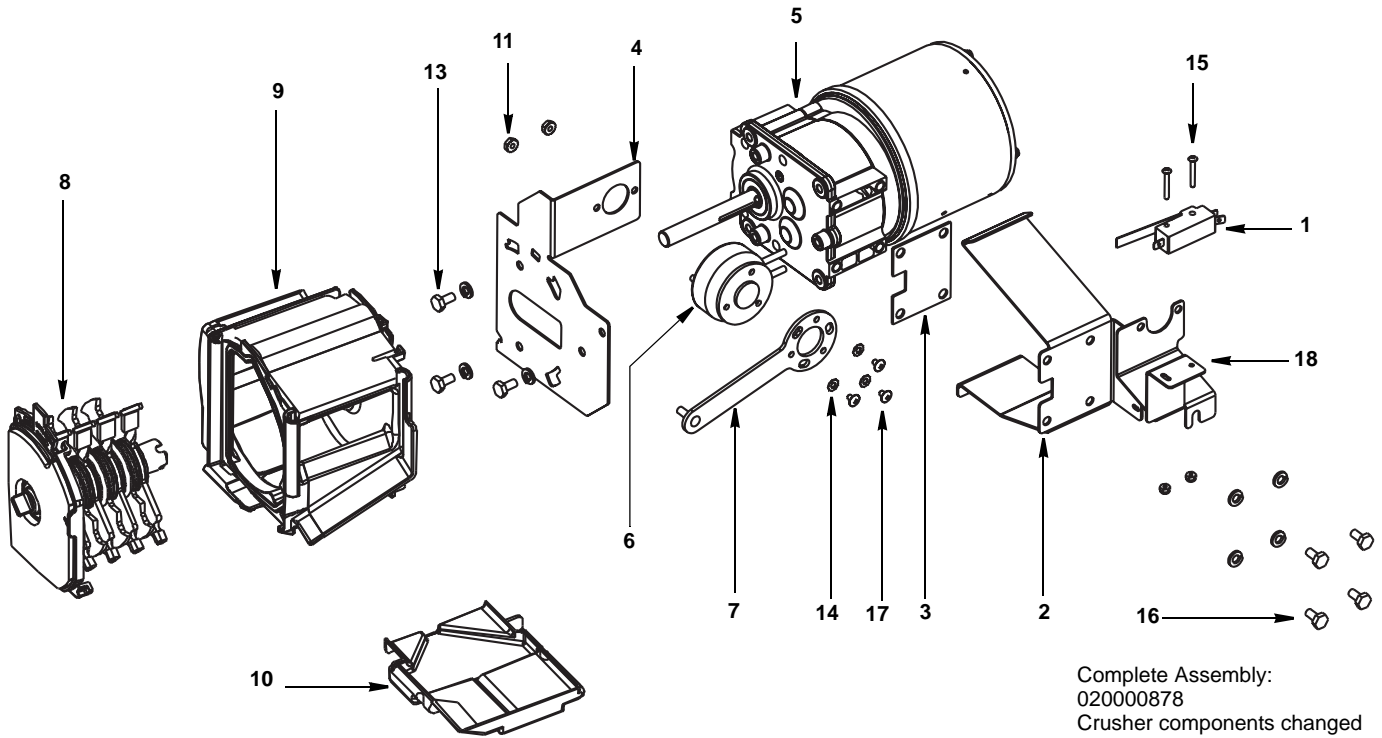
5012603
5028273
507-28-6
511-04
512-02-G
513-02-G
515-30
524-02
555-28
600-47-G
602-02
603-02
605-01
610-04
643-00
770-D24

### Miscellaneous - Brackets, Screws, etc.

17	Screw 4-40x1	.....
18	Screw 4-40x5/8	.....
19	O-ring 010	.....
20	Screw #8 X 5/8 Ph Hi-Lo 18-8	.....
21	Nut Push 1/8 Galv	.....

020003478
510
543
020001284
020002594

# GEN I CRUSHER ASSEMBLY

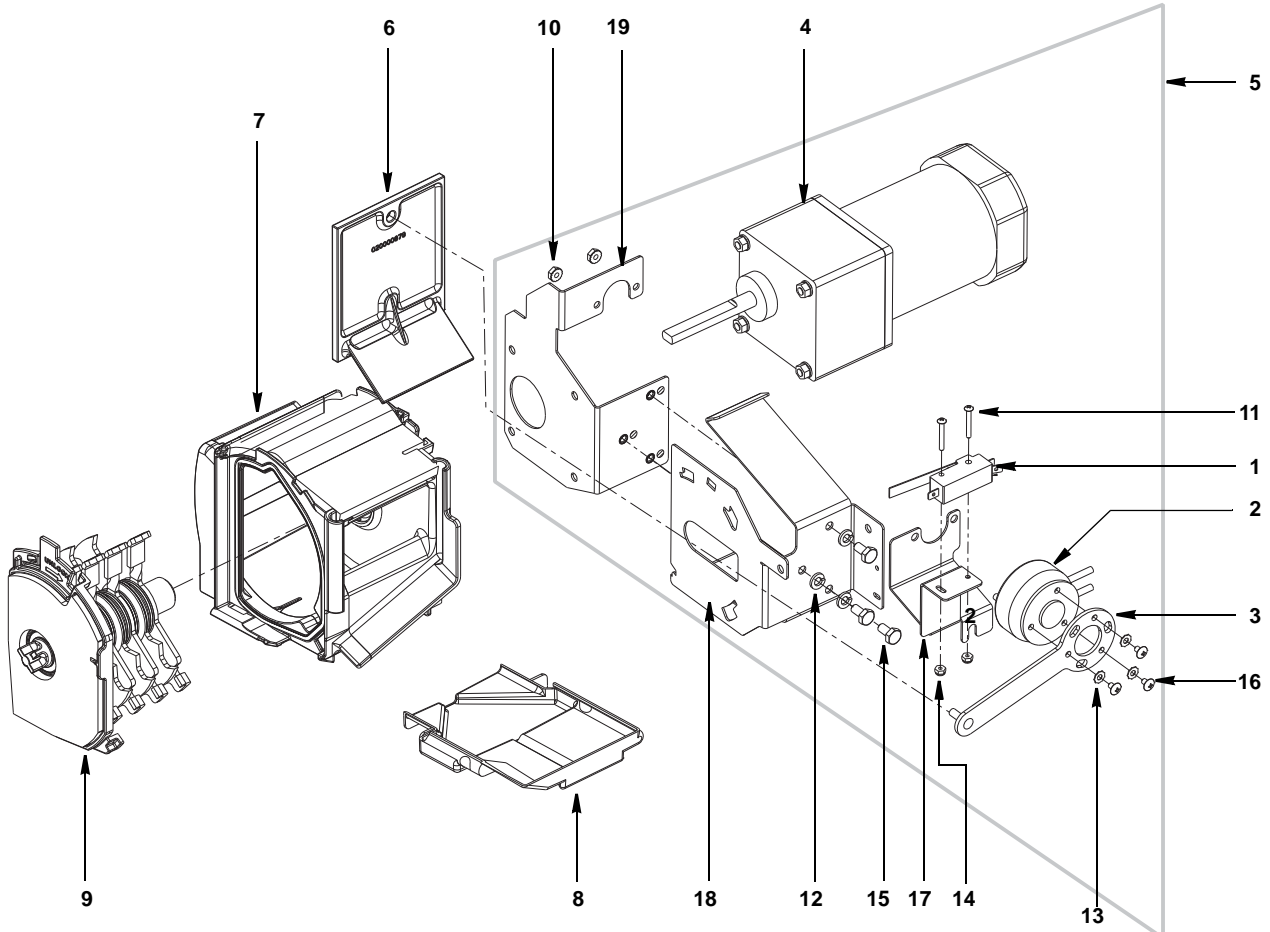


Complete Assembly:  
020000878  
Crusher components changed  
to Linix Motors starting with  
serial numbers:  
#610090050 & up

## DESCRIPTION

	<b>PART NO.</b>
1 Microswitch .....	1000703
2 Motor Mount .....	5031264
3 Motor Gasket .....	5031267
4 Housing Mount .....	5031281
5 Motor ED-8110-1 .....	5031369
6 Rotary Solenoid .....	5031370
7 Arm Rotary Solenoid .....	5031615
8 Blade / Hub Assembly .....	5031408
9 Housing .....	020001026
10 Drip Pan .....	020001361
<b>Miscellaneous - Brackets, Screw, etc.</b>	
11 Nut 10-32 Hex W/lock .....	00850705
12 Screw 6-32 X 1" SS Ph Rhms .....	0900901
13 Washer Lock 1/4in SS .....	0901904
14 Washer Star #8 SS .....	0901915
15 Screw 6-32 Esna SS .....	0902304
16 Bolt 1/4-20 Esna SS .....	5007377
17 Screw 8-32 X 1/4" Ph Ps .....	5012081
18 Bracket Microswitch Ext .....	5031835

# GEN II LINIX CRUSHER ASSEMBLY



Complete Assembly:  
020003087  
Crusher components changed  
to Linix Motors starting with  
serial numbers:  
#610090050 & up

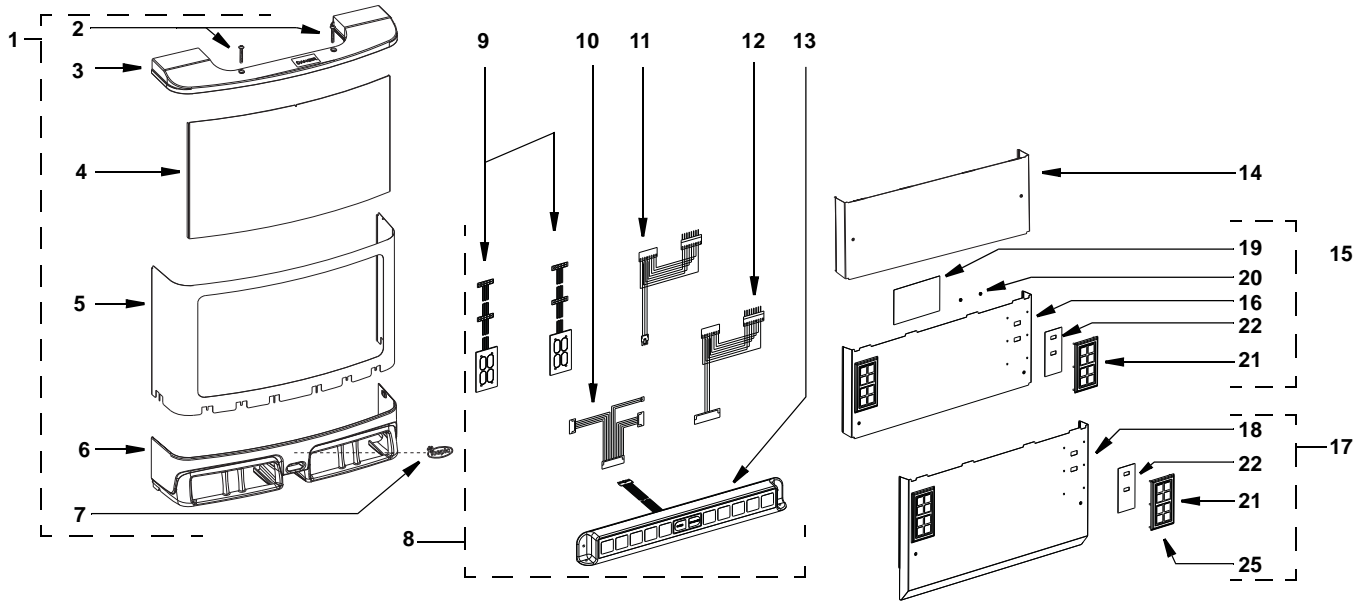
## DESCRIPTION

DESCRIPTION	PART NO.
1 Microswitch.....	1000703
2 Solenoid Rotary.....	5031370
3 Arm Solenoid Rotary.....	5031615
4 Motor Linix.....	020002708
5 FRP Motor Assembly.....	020002939
6 Door Crushed Ice.....	020000879
7 Housing.....	020001026
8 Drip Pan.....	020001361
9 Blade / Hub.....	020003648

## Miscellaneous - Brackets, Screw, etc.

10 Nut 10-32 Hex W/lock.....	00850705
11 Screw 6 - 32 X 1" SS Ph Rhms.....	0900901
12 Washer Lock 1/4" SS.....	0901904
13 Washer Star #8 SS.....	0901915
14 Screw 6-32 ESNA SS.....	0902304
15 Bolt 1/4-20 ESNA SS.....	5007377
16 Screw 8-32 1/4" Ph PS.....	5012081
17 Bracket Microswitch Ext.....	5031835
18 Bracket Crusher Motor Mount Front.....	020002954
19 Bracket Crusher Motor Mount Back.....	020003011

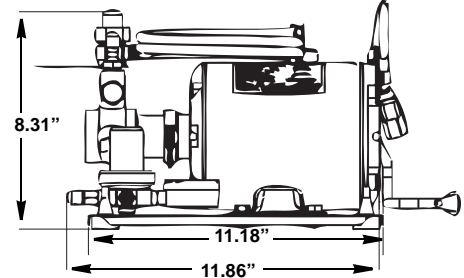
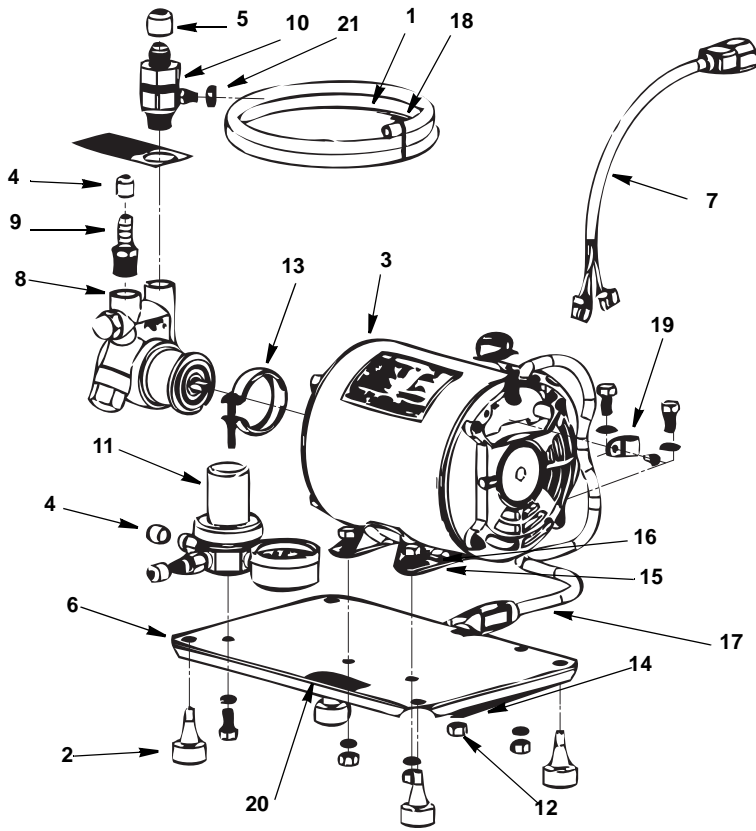
# FRP-250 & FRP-250SCI MERCHANDISER, SPLASH PANEL & ADA PARTS



**DESCRIPTION**

1	Merchandiser Complete Assembly	020002037
2	Screw - 8/32	5007698
3	Merchandiser Top	020000340
4	<b>Medallion</b>	
a.	Clear	020002073
b.	Clear CE	020002239
c.	Taco Bell	020000588
d.	Viva Variety	020000612
e.	KFC	020001458
f.	Generic Flav'R-Pic	020001983
g.	Flav'R-Pic (Non-SCI)	020002275
h.	Walgreen's	020002057
i.	Pepsi International	020002213
j.	Quench	020002214
k.	Coke	020002215
l.	Opaque	020002216
5	Merchandiser Middle Medallion Area SS	020001754
6	Merchandiser Lower	020001756
7	Icepic Label	020002124
8	Complete ADA FRP FS/SCI w/Box & Harnesses	020004090
9	Keypad Flavor Shot FRP ADA	020003892
10	Harness FRP FS ADA	020003891
11	Harness Adapter ADA SCI	020003890
12	Harness SCI ADA	020003893
13	Box Control ADA Product/SCI/FS	
14	<b>Standard Splash Panels</b>	
a.	FRP-250 & FRP-250SCI (w/ Drain Pan)	020002127
b.	FRP-250 & FRP-250SCI (w/o Drain Pan)	020002812
c.	FRP-250 TB (w/o Drain Pan)	020002638
15	<b>Complete ADA Standard Splash Panel Assembly</b>	
a.	Splash Panel Formed TB ADA	020003642
b.	Splash Panel Standard Formed ADA	020004070
16	<b>ADA Standard Splash Panel Only</b>	
a.	TB Formed ADA	020003307
b.	Standard Formed ADA	020004067
17	<b>Complete ADA Deep Extended Splash Panel Assembly</b>	
a.	Splash Panel Formed TB Welded ADA	020005331
b.	Splash Panel Standard Formed ADA	020004112
18	<b>ADA Deep Extended Splash Panel Only</b>	
a.	TB Welded ADA	020003296
b.	Standard Formed ADA	020004111
19	Label Cleaning Instructions Note	0301207
20	Nut 6-32 Hex W/lock	00850701
21	Keypad/Harness Assembly ADA	020003715
22	Keypad Gasket ADA	020003285
23	ADA Kit FRP Harness/Keypad With Flavor Shot	020003730
24	ADA Kit FRP Harness/Keypad Without Flavor Shot	020003731
25	ADA Flavor Labels (not shown)	020003314

# MCCANN'S 115V & 220V PUMP DECK

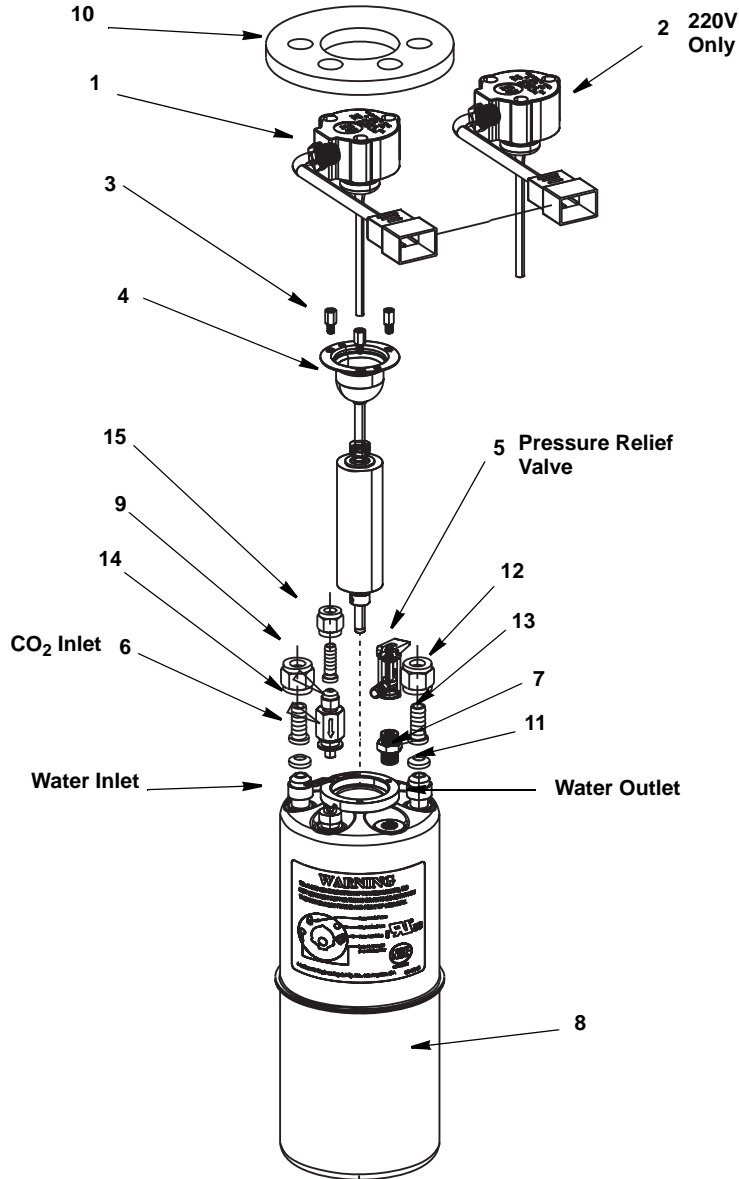


15-3120  
15-3198

## DESCRIPTION

1	Tubing, 1/4 I.d. X 3/8 O.D., Clear, Cut 6 ft. ....	01-1897
2	Foot, Snap-In .....	10-1605
<b>3</b>	<b>Motor</b>	
a.	115V, 1/3 hp .....	10-1649
b.	220V, 1/3 hp .....	10-0601
4	Plug, Cap, VC-375-8, Black .....	10-1877
5	Cap Plug, VC-600-8, Black, Vinyl .....	10-2006
6	Base, Carbonator .....	14-5311
7	Cord, Male Plug, IEC 60320 .....	020000792
8	Pump, Brass, Rotary Vane, 125 Gph .....	16-0165
9	Fitting, 3/8 Barb X 3/8 Mnpt .....	19-0589
10	ASSE 1022, Backflow Preventer .....	19-0897
11	Regulator, 75 PSI Preset With Gauge .....	99-1124
<b>Miscellaneous - Brackets, Screw, Etc.</b>		
12	Nut, Hex, 5/16-18, Zinc Plated .....	00-1077
13	Clamp, V-band, Carbonator .....	00-1222
14	Washer, Lock, 5/16, Split, Zinc Plated .....	10-0258
15	Washer, Lock, 5/16, External Tooth, Zinc Plated .....	10-0290
16	Bolt, 5/16 X 5/8 Hex Head .....	10-0555
17	115V Motor Cord (Not on 220V Motor) .....	5030670
18	Wire Tie, Twister, 5" Long .....	10-1181
19	Clamp, 3/8 I.D., Nylon, Natural, Cable .....	10-1429
20	Pump Deck Label	
a.	115V, 125 GPH .....	10-1649
b.	220V, 125 GPH .....	10-0601
21	Clamp, 13/32 I.D., Oetiker, Stepless, No. 10.5-505R .....	10.5-505R

# MCCANN'S VERTICAL CARB TANK



43-1600-10  
43-1602

## DESCRIPTION

<b>1 Assembly Probe 115V</b>	
a. Probe Spare Parts Kit .....	<a href="#">16-1404</a>
b. Driving Solenoid 115V Electrical, Black Cap .....	<a href="#">16-2115-41</a>
<b>2 Assembly Probe 220V</b>	
a. Probe Spare Parts Kit .....	<a href="#">16-1406</a>
b. Driving Solenoid 220V Electrical, Black Cap .....	<a href="#">16-2220-41</a>
<b>3 Probe Stud</b> .....	<a href="#">09-1877</a>
<b>4 Probe Float Ring Assembly - 115v/220V</b> .....	<a href="#">15-1951</a>
<b>5 Pressure Relief Valve - 125 psi with Barb</b> .....	<a href="#">19-0898</a>
<b>6 Carbonator Single Check Valve - 1/4 Male Flare</b> .....	<a href="#">00-0868</a>
<b>7 Fitting - .125 NPT X PRV, S.S. Adapter</b> .....	<a href="#">19-0934</a>
<b>8 Carbonator Assembly - 10" Weld</b> .....	<a href="#">15-3162</a>
<b>9 Fitting, 1/4 In. Swivel Hose Barb</b> .....	<a href="#">1701109</a>
<b>10 Insulated Domed Carb</b> .....	<a href="#">10-2005</a>
<b>Miscellaneous - Brackets, Screw, Etc.</b>	
<b>11 Washer, 3/8" Nylon White</b> .....	<a href="#">1701115</a>
<b>12 Nut, 3/8 X 9/16 In. Swivel Fitting</b> .....	<a href="#">1701110</a>
<b>13 Swivel Fitting, 1/4 In. 3/8" Barb</b> .....	<a href="#">5009025</a>
<b>14 Washer, 1/in. Nylon White</b> .....	<a href="#">1701113</a>
<b>15 Nut, 1/4 X 3/8 In. Swivel Fitting</b> .....	<a href="#">1701108</a>