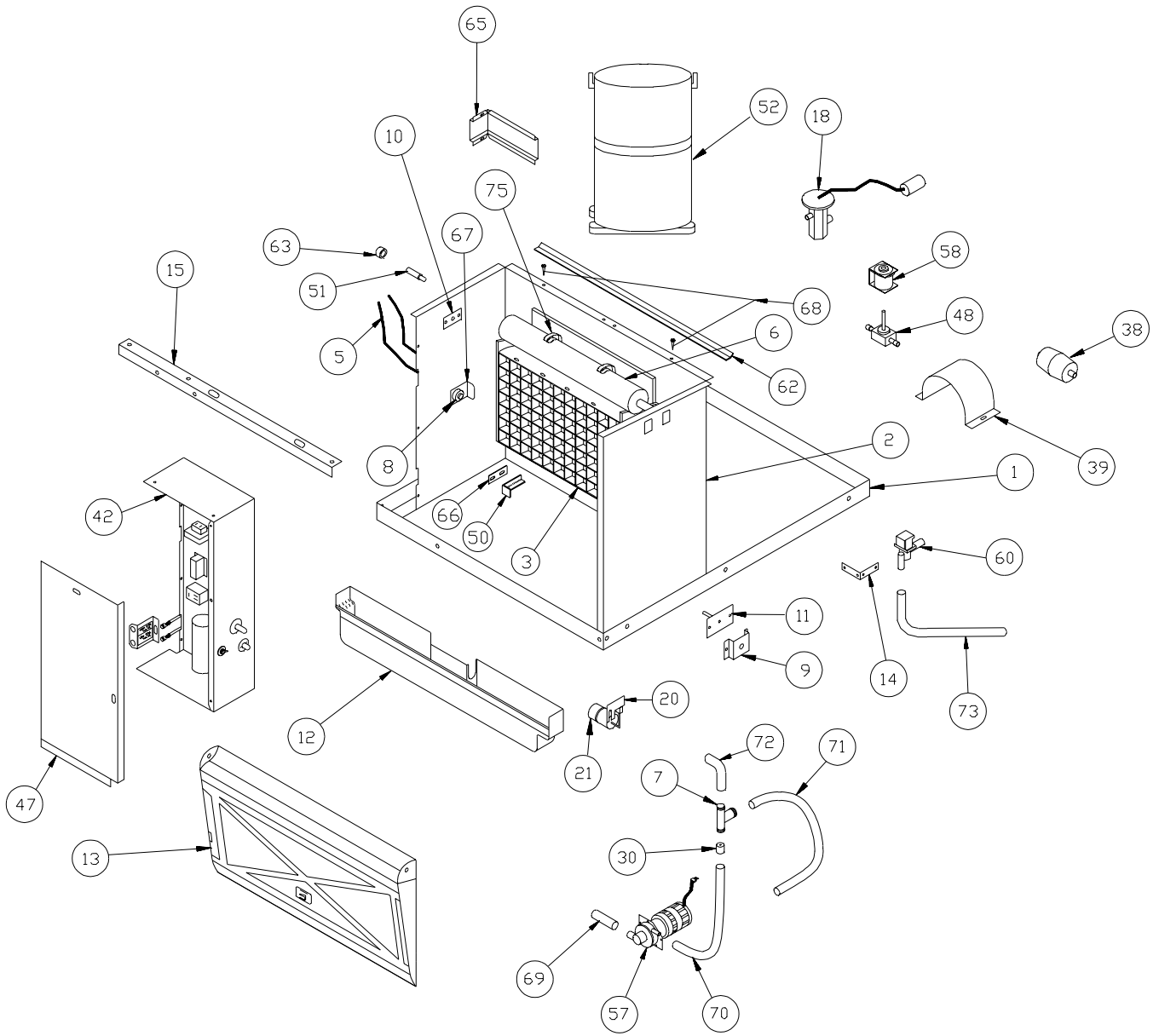


G SERIES CUBER

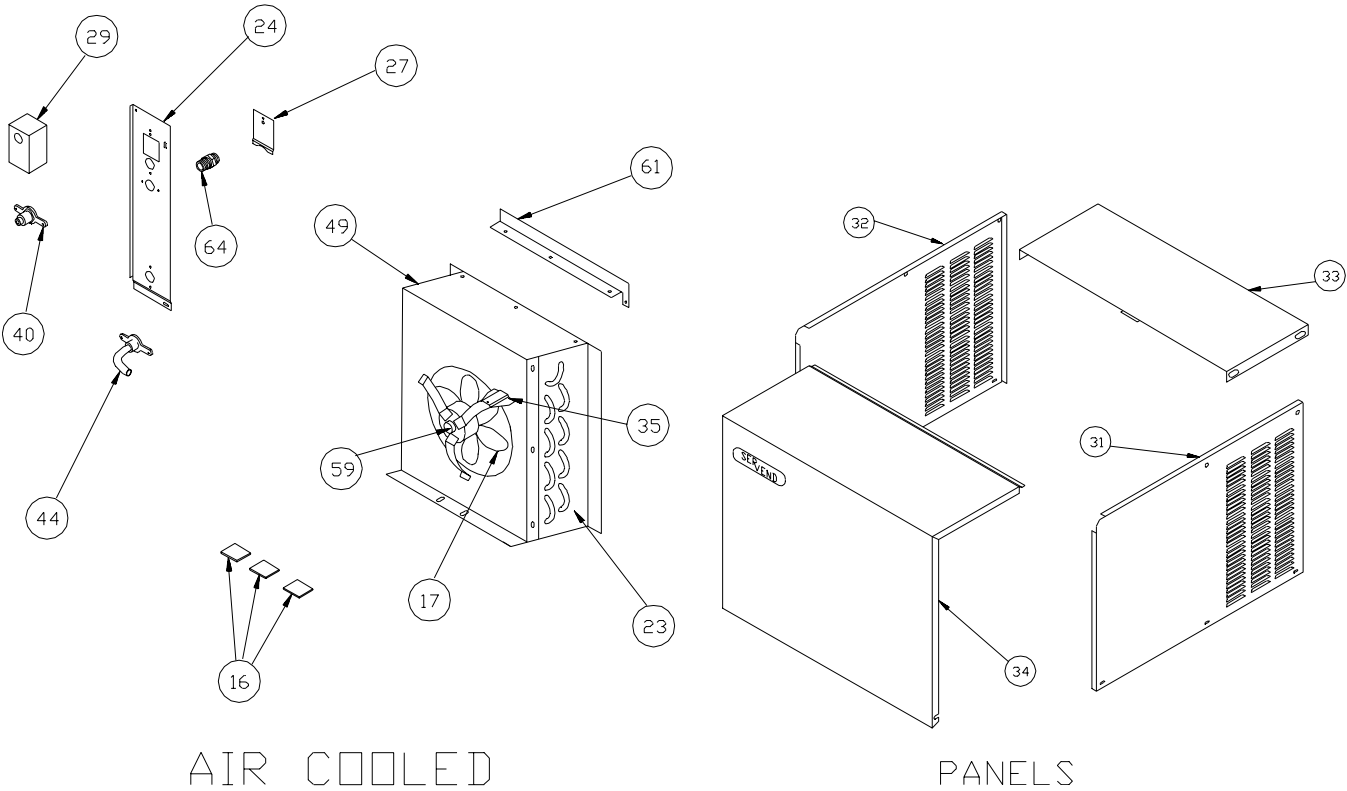
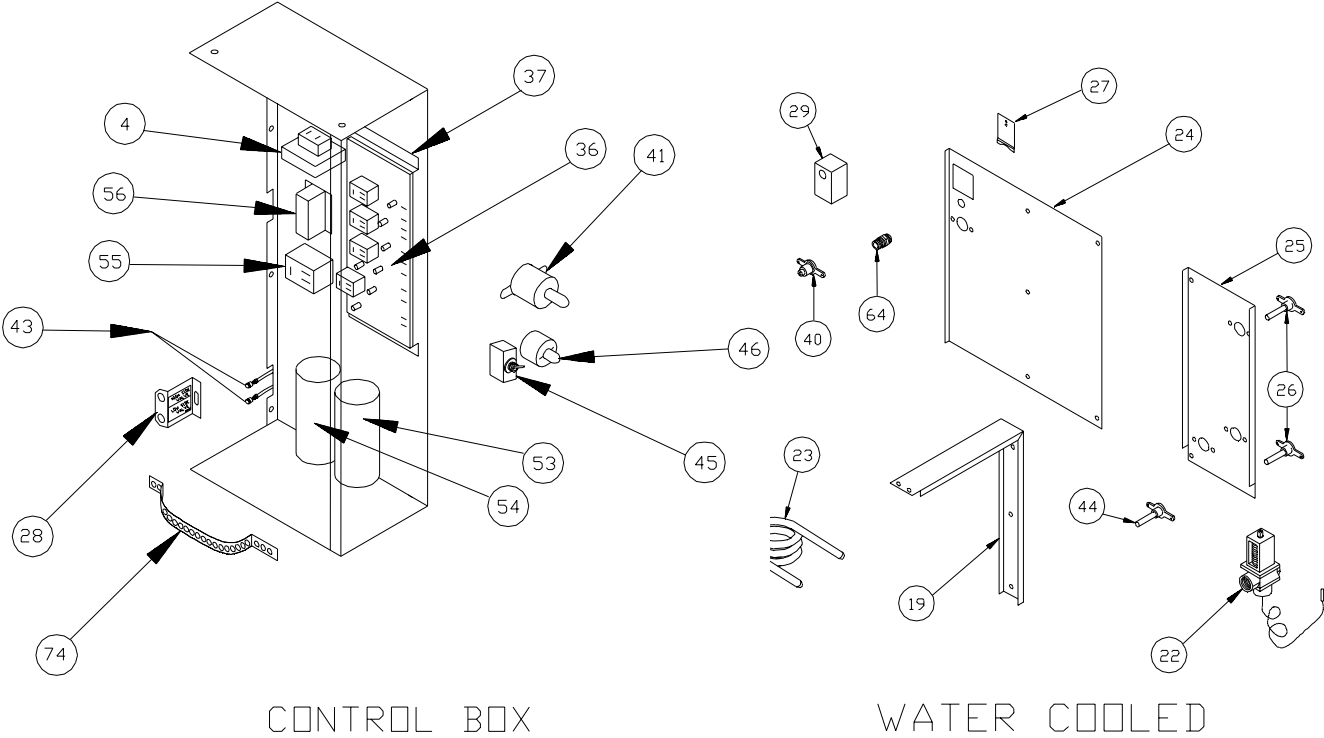
G SERIES CUBER	G - 1
G2 / G4 BASE EXPLODED VIEW	G - 2
G2 / G4 CONTROL BOX EXPLODED VIEW	G - 3
G2 G4 PARTS LISTING	G - 4
30" WIDE BASE EXPLODED VIEW	G - 8
30" WIDE CONTROL BOX EXPLODED VIEW	G - 9
30" WIDE PANEL EXPLODED VIEW	G - 9
30" WIDE REMOTE CONDENSER EXPLODED VIEW	G - 10
30" WIDE AIR CONDENSER EXPLODED VIEW	G - 10
30" WIDE WATER CONDENSER EXPLODED VIEW	G - 10
G5 PARTS LISTING	G - 11
G7 PARTS LISTING	G - 15
G10 PARTS LISTING	G - 19
48" WIDE BASE EXPLODED VIEW	G - 24
48" WIDE CONTROL BOX EXPLODED VIEW	G - 25
48" WIDE PANEL EXPLODED VIEW	G - 25
48" WIDE WATER CONDENSER EXPLODED VIEW	G - 26
48" WIDE AIR COOLED CONDENSER EXPLODED VIEW	G - 26
48" WIDE REMOTE CONDENSER EXPLODED VIEW	G - 26
G12 PARTS LISTING	G - 27
REMOTE CONDENSER EXPLODED VIEW	G - 32
REMOTE CONDENSER PARTS LISTING	G - 33

G2 / G4 BASE EXPLODED VIEW



G2/G4 CUBER

G2 / G4 CONTROL BOX EXPLODED VIEW



G2 G4 PARTS LISTING

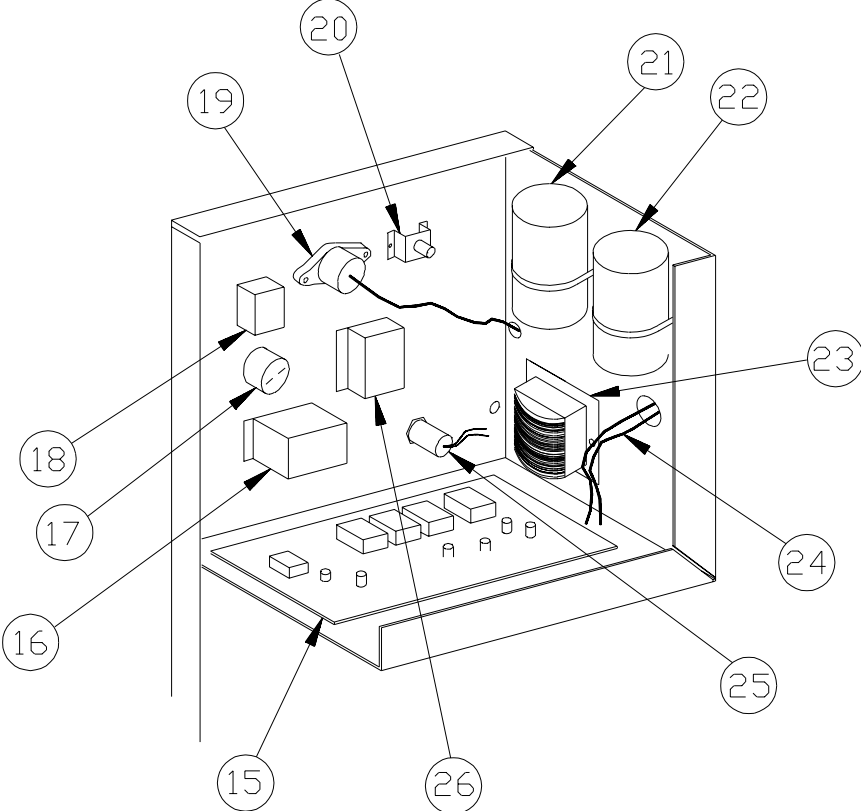
22" WIDE ICE MAKERS						
KEY #	DESCRIPTION	PART NUMBER				
		G2 - A	G2 - W	G4 - A	G4 - W	
		AIR COOLED	WATER COOLED	AIR COOLED	WATER COOLED	
1	Bottom assembly	5003895	5005925	5003895	5005925	
2	Enclosure	5005918	5005918	5005916	5005916	
3	Evaporator assembly (Does not include thermistor)	MINI	5004098	5004098	5004091	5004091
		FULL	5004099	5004099	5004092	5004092
		JUMBO	5004100	5004100	5004093	5004093
4	Transformer	5000609	5000609	5000609	5000609	
5	Thermistor kit	5005853	5005853	5005853	5005853	
6	Distribution tube	for 60 Hz machines	5004140	5004140	88294941	88294941
		for 50 Hz machines	5004140	5004140	5006596	5006596
7	1/2 x 1/2 x 3/4 Tee	9201082	9201082	9201082	9201082	
8	Hall switch	9200520	9200520	9200520	9200520	
9	Curtain pin nut plate	9200639	9200639	9200639	9200639	
10	Retractable curtain guide pin bracket		88297693	88297693	88297693	88297693
	Curtain shim	Full thickness	5001410	5001410	5001410	5001410
		Half thickness	5001413	5001413	5001413	5001413
11	Stationary curtain guide pin bracket	5002601	5002601	5002601	5002601	
12	Water pan	5002042	5002042	5002042	5002042	
13	Curtain	5002044	5002044	5002830	5002830	
14	Dump solenoid bracket	9200882	9200882	9200882	9200882	
15	Top horizontal brace	5003896	5003896	5003896	5003896	
16	Mounting tape	5003905	N/A	5003905	N/A	
17	Fan blade	88292270	N/A	88292271	N/A	
18	Expansion valve	5004469	5004469	5003864	5003864	
19	Frame support	N/A	5002381	N/A	5002384	
20	Float bracket	5002499	5002499	5002499	5002499	
21	Float	9200377	9200377	9200377	9200377	
22	Water regulator valve	N/A	88048125	N/A	88048125	
23	Condenser	9200767	88296452	9200768	88296453	
24	Back panel	9200866	5002408	5002392	5002409	

22" WIDE ICE MAKERS						
KEY #	DESCRIPTION	PART NUMBER				
		G2 - A	G2 - W	G4 - A	G4 - W	
		AIR COOLED	WATER COOLED	AIR COOLED	WATER COOLED	
25	Water fitting panel	N/A	5002382	N/A	5002383	
26	Water condenser fitting	N/A	88297642	N/A	88297642	
27	Electrical box cover	5003245	5003245	5003245	5003245	
28	Service valve bracket	5003082	5003082	5003082	5003082	
29	Electric junction box	1000501	1000501	1000501	1000501	
30	Water flow restrictor	60 cycle	5002480	5002480	88299712	88299712
		50 cycle	5002480	5002480	5006595	5006595
31	Right side panel	5003744	5003744	5003745	5003745	
32	Left side panel	5003742	5003742	5003743	5003743	
33	Top panel	5003969	5003969	5003969	5003969	
34	Front panel	5002099	5002099	5002129	5002129	
35	Fan bracket	9201002	N/A	9201002	N/A	
36	Circuit board	5005030	5005030	5005030	5005030	
37	Circuit board bracket	9200683	9200683	9200683	9200683	
38	Drier	88295938	88295938	88295938	88295938	
39	Water pump cover	9200883	9200883	9200883	9200883	
40	Inlet water fitting	9201026	9201026	9201026	9201026	
41	High pressure cut out	60 cycle	N/A	5004941	N/A	5004941
		50 cycle	N/A	5004941	5004941	5004941
42	Control box	5005922	5005922	5005920	5005920	
43	Refrigerant service valve	5001805	5001805	5001805	5001805	
44	Drain fitting	5005213	9200661	5005213	9200661	
45	Toggle switch	88917953	88917953	88917953	88917953	
46	Manual water dump switch	9201097	9201097	9201097	9201097	
47	Control box cover	5005923	5005923	5003893	5003893	
48	Hot gas solenoid body only	88295936	88295936	88295936	88295936	
49	Fan shroud assembly	5004004	N/A	5004005	N/A	
50	Water pan support	9201034	9201034	9201034	9201034	
51	Retractable curtain guide pin	88295931	88295931	88295931	88295931	

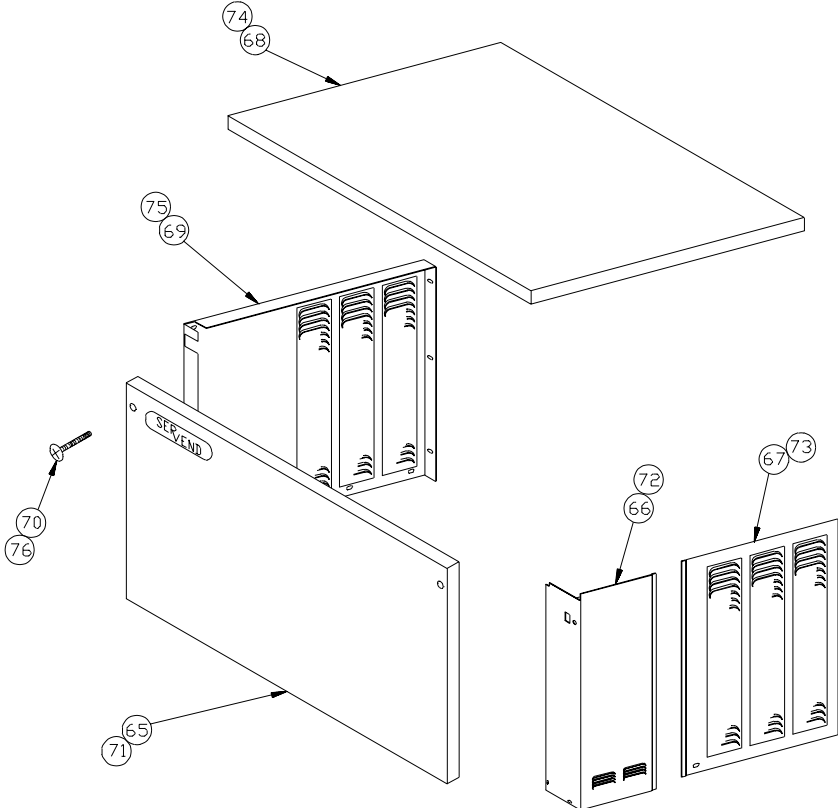
22" WIDE ICE MAKERS						
KEY #	DESCRIPTION	PART NUMBER				
		G2 - A	G2 - W	G4 - A	G4 - W	
		AIR COOLED	WATER COOLED	AIR COOLED	WATER COOLED	
52	Compressor kit	115 V. 60 Hz.	5006016	5006016	5006018	5006018
		208 / 230 V. 60 Hz.	5006609	5006609	5006019	5006019
		220 / 240 V. 50 Hz.	5006017	5006017	5006020	5006020
53	Start capacitor	115 V. 60 Hz.	5000306	5000306	5003866	5003866
		208 / 230 V. 60 Hz.	5006453	5006453	5000310	5000310
		220 / 240 V. 50 Hz.	5000249	5000249	5000249	5000249
54	Run capacitor	115 V. 60 Hz.	5000304	5000304	5003867	5003867
		208 / 230 V. 60 Hz.	5006452	5006452	5004831	5004831
		220 / 240 V. 50 Hz.	5003867	5003867	5005904	5005904
55	Relay	115 V. 60 Hz.	5004234	5004234	5003868	5003868
		208 / 230 V. 60 Hz.	5000250	5000250	5004234	5004234
		220 / 240 V. 50 Hz.	5000250	5000250	5005902	5005902
56	Contactor	115 V. 60 Hz.	88295942	88295942	88295942	88295942
		208 / 230 V. 60 Hz.	88295947	88295947	88295947	88295947
		220 / 240 V. 50 Hz.	88295947	88295947	88295947	88295947
57	Water pump	115 V. 60 Hz.	5004772	5004772	5004772	5004772
		208 / 230 V. 60 Hz.	5004771	5004771	5004771	5004771
		220 / 240 V. 50 Hz.	5004771	5004771	5004771	5004771
58	Solenoid coil	115 V. 60 Hz.	88295934	88295934	88295934	88295934
		208 / 230 V. 60 Hz.	88296419	88296419	88296419	88296419
		220 / 240 V. 50 Hz.	88296419	88296419	88296419	88296419
59	Fan motor	115 V. 60 Hz.	88295993	N/A	88295994	N/A
		208 / 230 V. 60 Hz.	88296001	N/A	5000340	N/A
		220 / 240 V. 50 Hz.	88296001	N/A	88296002	N/A
60	Water dump solenoid	115 V. 60 Hz.	5001204	5001204	5001204	5001204
		208 / 230 V. 60 Hz.	9200506	9200506	9200506	9200506
		220 / 240 V. 50 Hz.	9200506	9200506	9200506	9200506
61	Condenser filler panel		N/A	N/A	9200906	N/A

22" WIDE ICE MAKERS					
KEY #	DESCRIPTION	PART NUMBER			
		G2 - A	G2 - W	G4 - A	G4 - W
		AIR COOLED	WATER COOLED	AIR COOLED	WATER COOLED
62	Top gasket	9200884	9200884	9200884	9200884
63	Curtain guide pin spacer	5003962	5003962	5003962	5003962
64	Inlet water fitting nipple	5003918	5003918	5003918	5003918
65	Wire shield	5003884	5003884	5003884	5003884
66	Water pan support gasket	5003728	5003728	5003728	5003728
67	Curtain stop	5004352	5004352	5004352	5004352
68	#10 x 1/2" Truss head screw	0901008	0901008	0901008	0901008
69	Water pan to water pump tubing	9200896	9200896	9200896	9200896
70	Water pump to tee tubing	9200897	9200897	5003230	5003230
71	Tee to water dump solenoid tubing	9200899	9200899	9200899	9200899
72	Tee to distributor tube tubing	9200898	9200898	5003231	5003231
73	Water dump solenoid to drain fitting tubing	9200900	5003233	9200900	5003233
74	Capacitor strap	5003897	5003897	5003897	5003897
75	Distributor clip	88294948	88294948	88294948	8829494
--	Hartell impeller repair kit	5003399	5003399	5003399	5003399

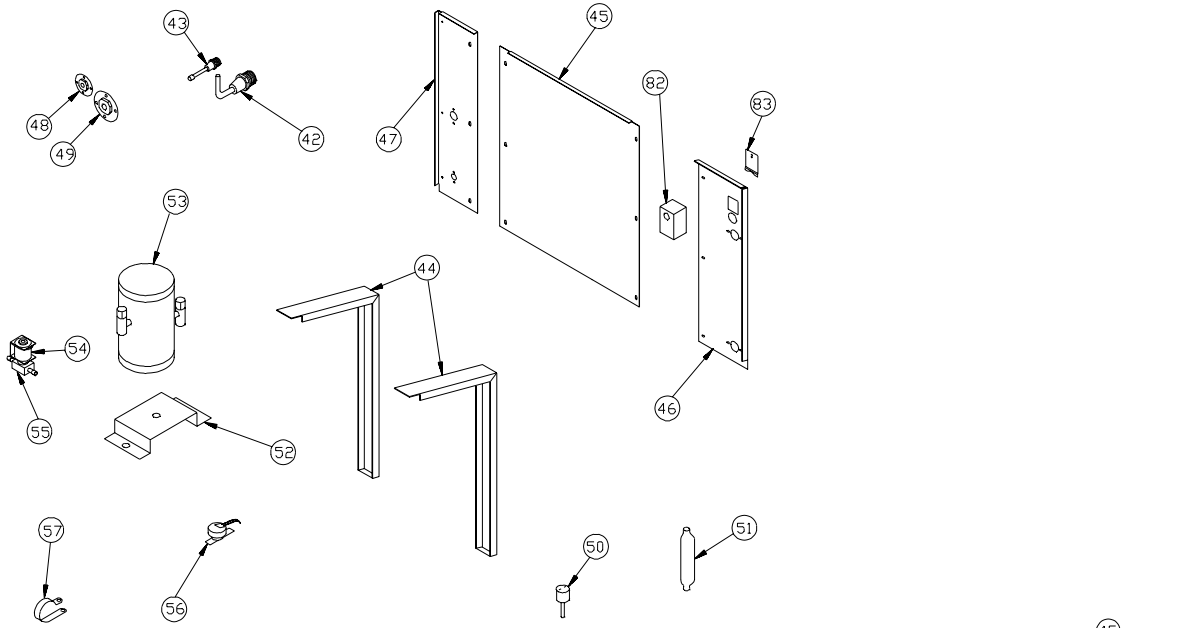
30" WIDE CONTROL BOX EXPLODED VIEW



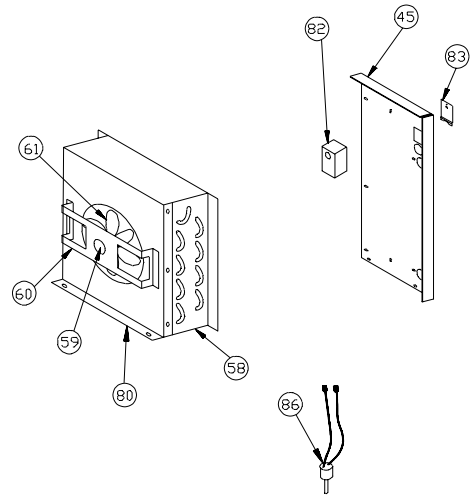
30" WIDE PANEL EXPLODED VIEW



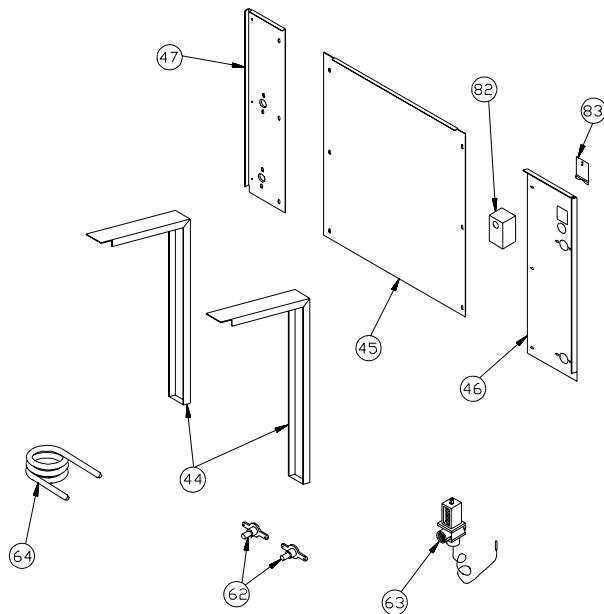
30" WIDE REMOTE CONDENSER EXPLODED VIEW



30" WIDE AIR CONDENSER EXPLODED VIEW



30" WIDE WATER CONDENSER EXPLODED VIEW



G5 PARTS LISTING

30" WIDE ICE MAKERS					
KEY #	DESCRIPTION	PART NUMBER			
		G5 - A	G5 - W	G5 - R	
		AIR COOLED	WATER COOLED	REMOTE COOLED	
1	Enclosure	5002868	5002868	5002868	
2	Bottom assembly	5006530	5006529	5006529	
3	Compressor 115 V 60 Hz.	5006625	5006625	5006625	
4	Wiring harness	5003899	5003899	5004247	
5	Distributor tube	5006045	5006045	5006045	
6	Distributor tube clip	88294948	88294948	88294948	
7	Evaporator assembly (does not include thermistor)	MINI	5004098	5004098	5004098
		FULL	5004099	5004099	5004099
		JUMBO	5004100	5004100	5004100
8	Curtain	9200989	9200989	9200989	
9	Water pan assembly	5002463	5002463	5002463	
10	Solenoid coil	88295934	88295934	88295934	
11	Hot gas solenoid body only	88295936	88295936	88295936	
12	Drier	88295938	88295938	88295938	
13	Expansion valve		5006541	5006541	5006511
		alternate	5006511	5006511	5006511
14	Water purge solenoid	9201097	9201097	9201097	
15	Circuit board	5005030	5005030	5005030	
16	Compressor relay	5003872	5003872	5003872	
17	Manual water purge switch	9201097	9201097	9201097	
18	Toggle switch	88917953	88917953	88917953	
19	High pressure cut out	N/A	5004941	5004941	
20	Guide pin nut plate	9200639	9200639	9200639	
21	Start capacitor	5006538	5006538	5006538	
22	Run capacitor	5006536	5006536	5006536	
23	Transformer	5000609	5000609	5000609	
24	Thermistor kit	5005853	5005853	5005853	
25	Hall switch	9200520	9200520	9200520	
26	Contactora	88295942	88295942	88295942	

30" WIDE ICE MAKERS				
KEY	DESCRIPTION	PART NUMBER		
		G5 - A	G5 - W	G5 - R
		AIR COOLED	WATER COOLED	REMOTE COOLED
27	Refrigerant service valve	88295943	88295943	88295943
28	Water supply tube	9200009	9200009	9200009
29	Curtain shim	Full thickness	5001410	5001410
		Half thickness	5001413	5001413
30	Water inlet fitting	9201026	9201026	9201026
31	Water drain fitting	9200661	9200661	9200661
32	Retractable curtain guide pin bracket	88297693	88297693	88297693
33	Water purge solenoid to drain fitting tubing	9200508	9200508	9200508
34	Water pump to tee tubing	9200540	9200540	9200540
35	1/2 x 1/2 x 1/2 Tee	9200507	9200507	9200507
36	Tee to water purge solenoid tubing	9200519	9200519	9200519
37	Tee to distributor tube tubing	9200518	9200518	9200518
38	Water flow restrictor	9200591	9200591	9200591
39	Float assembly	9200377	9200377	9200377
40	Float bracket	88297691	88297691	88297691
41	Retractable curtain guide pin	88295931	88295931	88295931
42	Quick connect outlet fitting	N/A	N/A	5000052
43	Quick connect inlet fitting	N/A	N/A	5000053
44	Frame support	N/A	88299743	88299743
45	Rear panel	N/A	5004358	5004358
46	Rear fitting panel	5004342	5004357	5004357
47	Condenser fitting panel	N/A	5004359	5004359
48	Line coupling bracket	N/A	N/A	5000054
49	Outlet fitting bracket	N/A	N/A	5000055
50	Low pressure control	N/A	N/A	9201078
51	Check valve	N/A	N/A	5000048
52	Receiver bracket	N/A	N/A	5000045
53	Receiver tank	N/A	N/A	5000049
54	Solenoid coil	88295934	88295934	88295934

30" WIDE ICE MAKERS					
KEY #	DESCRIPTION		PART NUMBER		
			G5 - A	G5 - W	G5 - R
			AIR COOLED	WATER COOLED	REMOTE COOLED
55	Pump down solenoid valve body		N/A	N/A	5000086
56	Therm-O-disc		N/A	N/A	88296841
57	Drier bracket		N/A	N/A	9200719
58	Air condenser		88291187	N/A	N/A
59	Fan motor		88295994	N/A	N/A
60	Fan bracket		88296461	N/A	N/A
61	Fan blade		88292271	N/A	N/A
62	Condenser water fitting		N/A	88297642	N/A
63	Water regulating valve		N/A	88048125	N/A
64	Water condenser		N/A	88296454	N/A
65	Front panel assembly	stainless	5000733	5000733	5000733
66	Component box cover	stainless	88298865	88298865	88298865
67	Right side panel	stainless	88298861	88298861	88298861
68	Top panel	stainless	88296432	88296432	88296432
69	Left side panel	stainless	88296435	88296435	88296435
70	Front panel screw	stainless	88130485	88130485	88130485
71	Front panel assembly	stainless	5000733	5000733	5000733
72	Component box cover	stainless	88298865	88298865	88298865
73	Right side panel	stainless	88298861	88298861	88298861
74	Top panel	stainless	88296432	88296432	88296432
75	Left side panel	stainless	88296435	88296435	88296435
76	Front panel screw	stainless	88130485	88130485	88130485
77	Water pan to pump tube		9200695	9200695	9200695
78	Water pump assembly		5004772	5004772	5004772
79	Horizontal brace		9201092	9201092	9201092
80	Fan shroud		5006535	N/A	N/A
81	3/8" nipple		5003918	5003918	5003918
82	Electric junction box		1000501	1000501	1000501
83	Electric box cover		5003245	5003245	5003245

30" WIDE ICE MAKERS				
KEY	DESCRIPTION	PART NUMBER		
		G5 - A	G5 - W	G5 - R
		AIR COOLED	WATER COOLED	REMOTE COOLED
84	Water pan support	9201034	9201034	9201034
85	Water pan support gasket	5003728	5003728	5003728
86	Fan cycle control	5000056	N/A	N/A
---	Ice deflection baffle when placed on dispensers	5003252	5003252	5003252
---	Air deflection baffle	9200358	9200358	9200358
---	Hartell water pump impeller kit	5003399	5003399	5003399
---	Curtain stop	5004352	5004352	5004352
---	Compressor heater	N/A	N/A	5006613
---	Universal capacitor strap	5003897	5003897	5003897

G7 PARTS LISTING

30" WIDE ICE MAKERS					
KEY	DESCRIPTION	PART NUMBER			
		G7 - A	G7 - W	G7 - R	
		AIR COOLED	WATER COOLED	REMOTE COOLED	
1	Enclosure	9200595	9200595	9200595	
2	Bottom assembly	5004340	5004356	5004356	
3	Compressor	208 / 230 V. 60 Hz.	5006021	5006021	5006022
		alternate for 208 / 230 V. 60 Hz	5006022	5006022	N/A
		220 / 240 V. 50 Hz.	5006023	5006023	5006024
		alternate for 220 / 240 V. 50 Hz.	5006024	5006024	N/A
4	Wiring harness	5003899	5003899	5004247	
5	Distributor tube	5000790	5000790	5000790	
6	Distributor tube clip	88294948	88294948	88294948	
7	Evaporator assembly (does not include thermistor)	MINI	5004098	5004098	5004098
		FULL	5004099	5004099	5004099
		JUMBO	5004100	5004100	5004100
8	Curtain	9200989	9200989	9200989	
9	Water pan assembly	5002463	5002463	5002463	
10	Solenoid coil	88296419	88296419	88296419	
11	Hot gas solenoid body only	88295936	88295936	88295936	
12	Drier	88295938	88295938	9200536	
13	Expansion valve		5005851	5005851	5001390
		alternate	5001390	5001390	N/A
14	Water dump solenoid	9200506	9200506	9200506	
15	Circuit board	5005030	5005030	5005030	
16	Compressor relay	208 / 230 V. 60 Hz.	5003872	5003872	5003872
		220 / 240 V. 50 Hz.	5004234	5004234	5004234
17	Manual water dump switch	9201097	9201097	9201097	
18	Toggle switch	88917953	88917953	88917953	
19	High pressure cut out	N/A	5004941	5004941	
20	Guide pin nut plate	9200639	9200639	9200639	
21	Start capacitor	208 / 230 V. 60 Hz.	5003870	5003870	5003870
		220 / 240 V. 50 Hz.	5004837	5004837	5004837

30" WIDE ICE MAKERS					
KEY #	DESCRIPTION	PART NUMBER			
		G7 - A	G7 - W	G7 - R	
		AIR COOLED	WATER COOLED	REMOTE COOLED	
22	Run capacitor	208 / 230 V. 60 Hz.	5003871	5003871	5003871
		220 / 240 V. 50 Hz.	5003871	5003871	5003871
23	Transformer		5000609	5000609	500609
24	Thermistor kit		5005853	5005853	5005853
25	Hall switch		9200520	9200520	9200520
26	Contacto		88295947	88295947	88295947
27	Refrigerant service valve		88295943	88295943	88295943
28	Water supply tube		9200009	9200009	9200009
29	Curtain shim	Full thickness	5001410	5001410	5001410
		Half thickness	5001413	5001413	5001413
30	Water inlet fitting		9201026	9201026	9201026
31	Water drain fitting		9200661	9200661	9200661
32	Retractable curtain guide pin bracket		88297693	88297693	88297693
33	Water dump solenoid to drain fitting tubing		9200508	9200508	9200508
34	Water pump to tee tubing		9200540	9200540	9200540
35	1/2 x 1/2 x 1/2 Tee		9200507	9200507	9200507
36	Tee to water dump solenoid tubing		9200519	9200519	9200519
37	Tee to distributor tube tubing		9200518	9200518	9200518
38	Water flow restrictor		9200591	9200591	9200591
39	Float assembly		9200377	9200377	9200377
40	Float bracket		88297691	88297691	88297691
41	Retractable curtain guide pin		88295931	88295931	88295931
42	Quick connect outlet fitting		N/A	N/A	5000052
43	Quick connect inlet fitting		N/A	N/A	5000053
44	Frame support		N/A	88299743	88299743
45	Rear panel		5004342	5004358	5004358
46	Rear fitting panel		N/A	5004357	5004357
47	Condenser fitting panel		N/A	5004359	5004359
48	Line coupling bracket		N/A	N/A	5000054

30" WIDE ICE MAKERS					
KEY #	DESCRIPTION	PART NUMBER			
		G7 - A	G7 - W	G7 - R	
		AIR COOLED	WATER COOLED	REMOTE COOLED	
49	Outlet fitting bracket	N/A	N/A	5000055	
50	Low pressure control	N/A	N/A	9201078	
51	Check valve	N/A	N/A	5000048	
52	Receiver bracket	N/A	N/A	5000045	
53	Receiver tank	N/A	N/A	5000049	
54	Solenoid coil	88296419	88296419	88296419	
55	Pump down solenoid valve body	N/A	N/A	5000086	
56	Therm-O-disc	N/A	N/A	88296841	
57	Drier bracket	N/A	N/A	9200719	
58	Air condenser	88291187	N/A	N/A	
59	Fan motor	208 / 230 V. 60 Hz.	88294922	N/A	N/A
		220 / 240 V. 50 Hz.	88296003	N/A	N/A
60	Fan bracket	88296461	N/A	N/A	
61	Fan blade	88292272	N/A	N/A	
62	Condenser water fitting	N/A	88297642	N/A	
63	Water regulating valve	N/A	88048125	N/A	
64	Water condenser	N/A	88296454	N/A	
65	Front panel assembly	brass (painted)	88297629	88297629	88297629
66	Component box cover	painted	88294992	88294992	88294992
67	Right side panel	painted	88294970	88294970	88294970
68	Top panel	painted	88292264	88292264	88292264
69	Left side panel	painted	88292267	88292267	88292267
70	Front panel screw	brass (painted)	88298871	88298871	88298871
71	Front panel assembly	stainless	88297621	88297621	88297621
72	Component box cover	stainless	88298865	88298865	88298865
73	Right side panel	stainless	88298861	88298861	88298861
74	Top panel	stainless	88296432	88296432	88296432
75	Left side panel	stainless	88296435	88296435	88296435
76	Front panel screw	stainless	88130485	88130485	88130485

30" WIDE ICE MAKERS				
KEY	DESCRIPTION	PART NUMBER		
		G7 - A	G7 - W	G7 - R
		AIR COOLED	WATER COOLED	REMOTE COOLED
77	Water pan to pump tube	9200695	9200695	9200695
78	Water pump assembly	5004771	5004771	5004771
79	Horizontal brace	88294994	88294994	88294994
80	Fan shroud	88292932	N/A	N/A
81	3/8" nipple	5003918	5003918	5003918
82	Electric junction box	1000501	1000501	1000501
83	Electric box cover	5003245	5003245	5003245
84	Water pan support	9201034	9201034	9201034
85	Water pan support gasket	5003728	5003728	5003728
86	Fan cycle control	5000056	N/A	N/A
---	Ice deflection baffle when placed on dispensers	5003252	5003252	5003252
---	Air deflection baffle	9200358	9200358	9200358
---	Hartell water pump impeller kit	5003399	5003399	5003399
---	Curtain stop	5004352	5004352	5004352
---	Universal capacitor strap	5003897	5003897	5003897

G10 PARTS LISTING

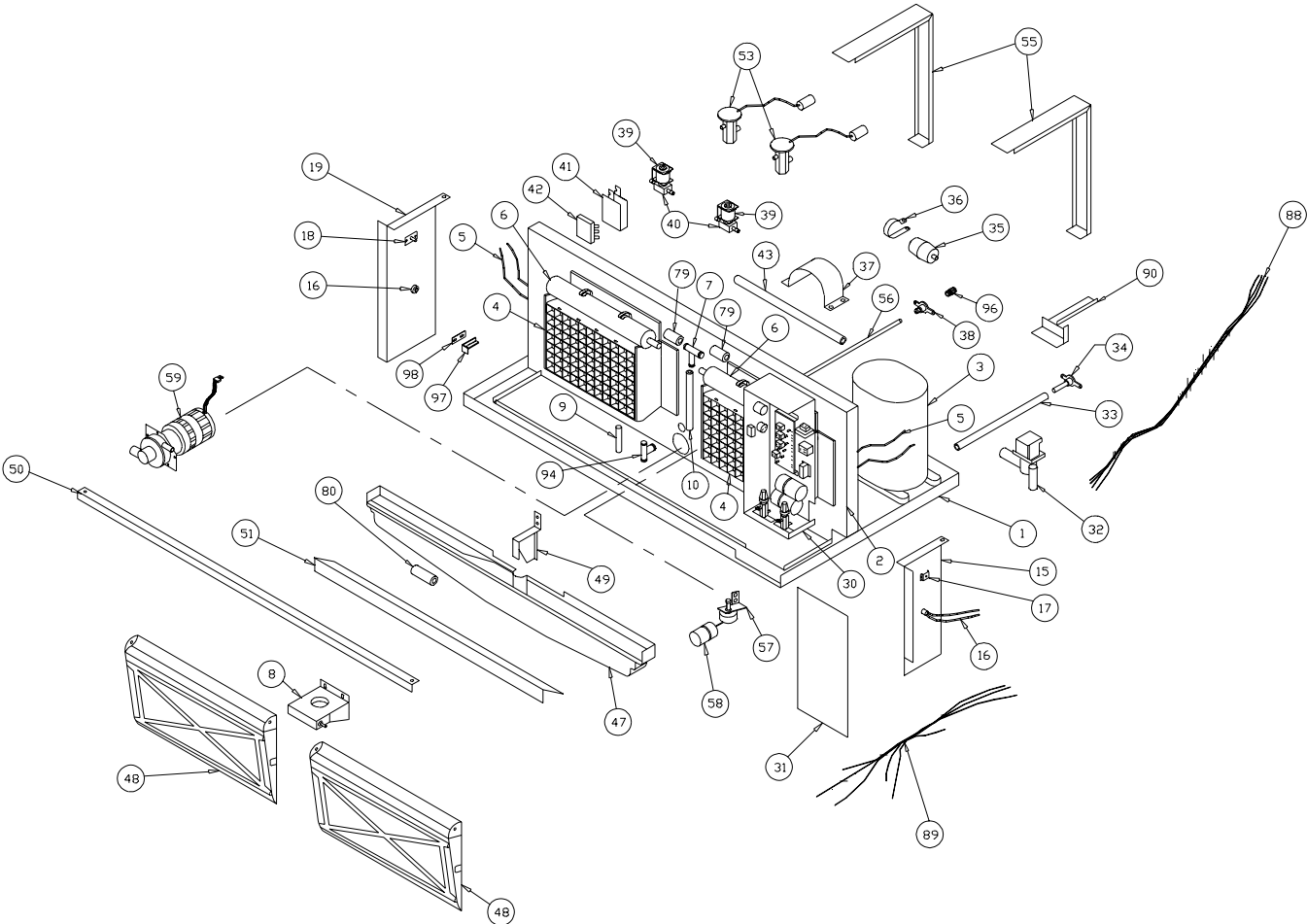
30" WIDE ICE MAKERS					
KEY	DESCRIPTION	PART NUMBER			
		G10 - A	G10 - W	G10 - R	
		AIR COOLED	WATER COOLED	REMOTE COOLED	
1	Enclosure	9200594	9200594	9200594	
2	Bottom assembly	5004340	5004356	5004356	
3	Compressor	208 / 230 V. 60 Hz.	5006416	5006416	5006415
		alternate for 208 / 230 V. 60 Hz	5006415	5006415	5006415
		220 / 240 V. 50 Hz.	5006414	5006414	5006413
		alternate for 220 / 240 V. 50 Hz	5006413	5006413	5006413
4	Wiring harness	5003899	5003899	5004247	
5	Distributor tube	5006045	5006045	5006045	
6	Distributor tube clip	88294948	88294948	88294948	
7	Evaporator assembly (does not include thermistor)	MINI	5005797	5005797	5005797
		FULL	5005798	5005798	5005798
		JUMBO	5005796	5005796	5005796
8	Curtain	9200990	9200990	9200990	
9	Water pan assembly	5002463	5002463	5002463	
10	Solenoid coil	88296419	88296419	88296419	
11	Hot gas solenoid body only	88296418	88296418	88296418	
12	Drier	88296420	88296420	9200536	
13	Expansion valve		5006291	5006291	5001389
		alternate	5001389	5001389	5001389
14	Water dump solenoid	9200506	9200506	9200506	
15	Circuit board	5005030	5005030	5005030	
16	Compressor relay	208 / 230 V. 60 Hz.	5004245	5004245	5004245
		220 / 240 V. 50 Hz.	5003872	5003872	5003872
17	Manual water dump switch	9201097	9201097	9201097	
18	Toggle switch	88917953	88917953	88917953	
19	High pressure cut out	N / A	5004941	5004941	
20	Guide pin nut plate	9200639	9200639	9200639	
21	Start capacitor	208 / 230 V. 60 Hz.	5006292	5006292	5006292
		220 / 240 V. 50 Hz.	5003870	5003870	5003870

30" WIDE ICE MAKERS					
KEY #	DESCRIPTION	PART NUMBER			
		G10 - A	G10 - W	G10 - R	
		AIR COOLED	WATER COOLED	REMOTE COOLED	
22	Run capacitor	208 / 230 V. 60 Hz.	5006293	5006293	5006293
		220 / 240 V. 50 Hz.	5006294	5006294	5006294
23	Transformer	5000609	5000609	5000609	
24	Thermistor kit	5005853	5005853	5005853	
25	Hall switch	9200520	9200520	9200520	
26	Contactora	88295947	88295947	88295947	
27	Refrigerant service valve	88295943	88295943	88295943	
28	Water supply tube	9200010	9200010	9200010	
29	Curtain shim	Full thickness	5001410	5001410	5001410
		Half thickness	5001413	5001413	5001413
30	Water inlet fitting	9201026	9201026	9201026	
31	Water drain fitting	9200661	9200661	9200661	
32	Retractable curtain guide pin bracket	88297693	88297693	88297693	
33	Water dump solenoid to drain fitting tubing	9200508	9200508	9200508	
34	Water pump to tee tubing	9200530	9200530	9200530	
35	1/2 x 1/2 x 1/2 Tee	9200507	9200507	9200507	
36	Tee to water dump solenoid tubing	9200541	9200541	9200541	
37	Tee to distributor tube tubing	9200518	9200518	9200518	
38	Water flow restrictor	9200591	9200591	9200591	
39	Float assembly	9200377	9200377	9200377	
40	Float bracket	88297691	88297691	88297691	
41	Retractable curtain guide pin	88295931	88295931	88295931	
42	Quick connect outlet fitting	N / A	N / A	5000052	
43	Quick connect inlet fitting	N / A	N / A	5000053	
44	Frame support	N / A	88299744	88299744	
45	Rear panel	5004341	5004361	5004361	
46	Rear fitting panel	N / A	5004360	5004360	
47	Condenser fitting panel	N / A	5006339	5004476	
48	Liquid coupling bracket	N / A	N / A	5000054	

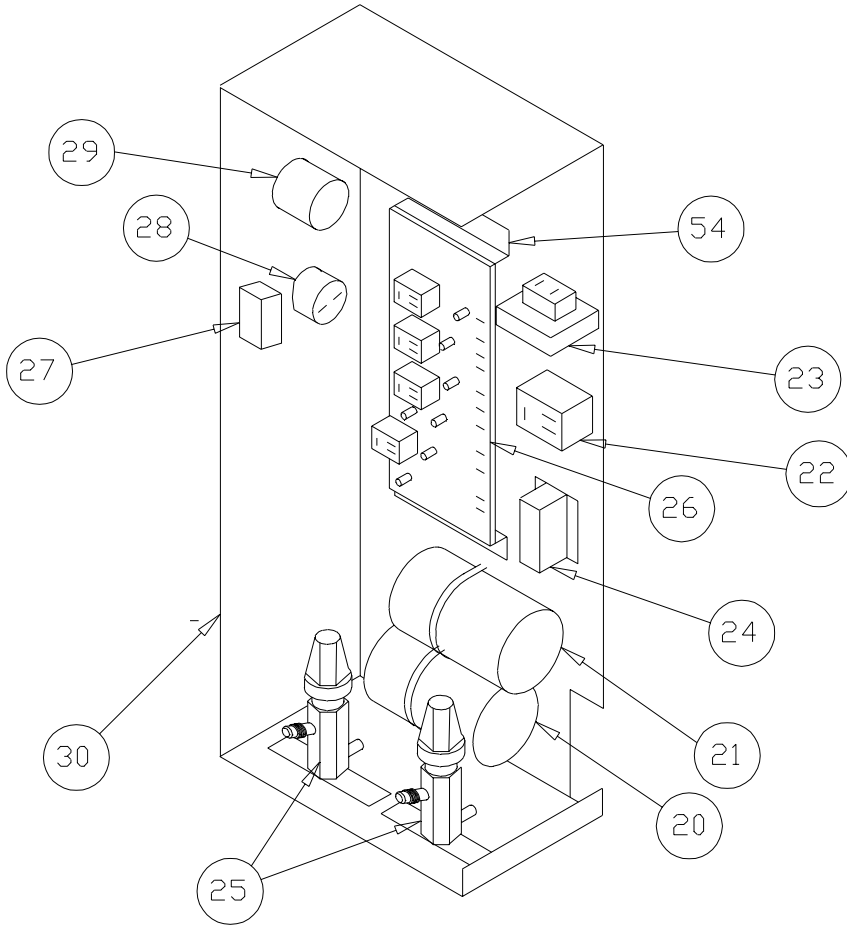
30" WIDE ICE MAKERS				
	DESCRIPTION	PART NUMBER		
		G10 - A	G10 - W	G10 - R
		AIR COOLED	WATER COOLED	REMOTE COOLED
49	Outlet fitting bracket	N / A	N / A	5000055
50	Low pressure control	N / A	N / A	9201078
51	Check valve	N / A	N / A	5000048
52	Receiver bracket	N / A	N / A	5000045
53	Receiver tank	N / A	N / A	5000049
54	Solenoid coil	88296419	88296419	88296419
55	Pump down solenoid valve body	N / A	N / A	5000086
56	Therm-O-disc	N / A	N / A	88296841
57	Drier bracket	N / A	N / A	9200719
58	Air condenser	88291188	N / A	N / A
59	Fan motor	208 / 230 V. 60 Hz.	5006074	N / A
		220 / 240 V. 50 Hz.	5006073	N / A
60	Fan bracket	88292895	N / A	N / A
61	Fan blade	5006071	N / A	N / A
62	Condenser water fitting	N / A	88297642	N / A
63	Water regulating valve	N / A	88048125	N / A
64	Water condenser	N / A	5006290	N / A
65	Front panel assembly	brass (painted)	88297628	88297628
66	Component box cover	painted	88295904	88295904
67	Right side panel	painted	88292969	88292969
68	Top panel	painted	88292264	88292264
69	Left side panel	painted	88296413	88296413
70	Front panel screw	brass (painted)	88298871	88298871
71	Front panel assembly	stainless	88297617	88297617
72	Component box cover	stainless	88365111	88365111
73	Right side panel	stainless	88298863	88298863
74	Top panel	stainless	88296432	88296432
75	Left side panel	stainless	88296440	88296440
76	Front panel screw	stainless	88130485	88130485

30" WIDE ICE MAKERS				
KEY	DESCRIPTION	PART NUMBER		
		G10 - A	G10 - W	G10 - R
		AIR COOLED	WATER COOLED	REMOTE COOLED
77	Water pan to pump tube	9200695	9200695	9200695
78	Water pump assembly	5004771	5004771	5004771
79	Horizontal brace	88294994	88294994	88294994
80	Fan shroud	88292933	N / A	N / A
81	3/8" nipple	5003918	5003918	5003918
82	Electric junction box	1000501	1000501	1000501
83	Electric box cover	5003245	5003245	5003245
84	Water pan support	9201034	9201034	9201034
85	Water pan support gasket	5003728	5003728	5003728
86	Fan cycle control		N/A	N/A
---	Ice deflection baffle when placed on dispensers	5003252	5003252	5003252
---	Air deflection baffle	9200358	9200358	9200358
---	Hartell water pump impeller kit	5003399	5003399	5003399
---	Curtain stop	5004352	5004352	5004352
---	Universal capacitor strap	5003897	5003897	5003897

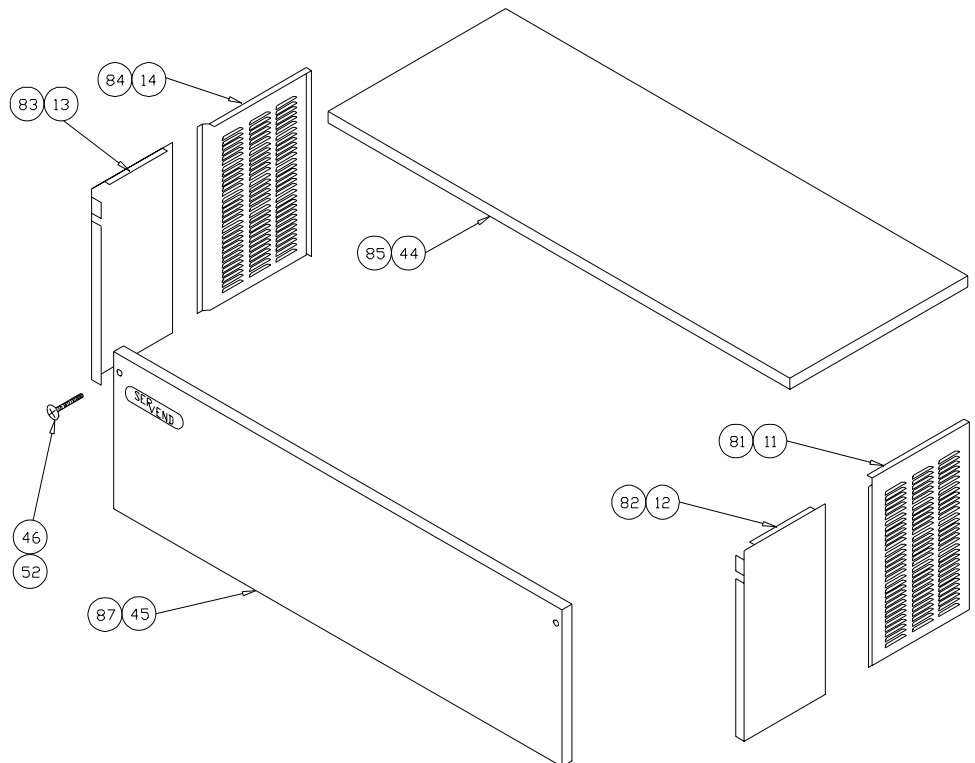
48" WIDE BASE EXPLODED VIEW



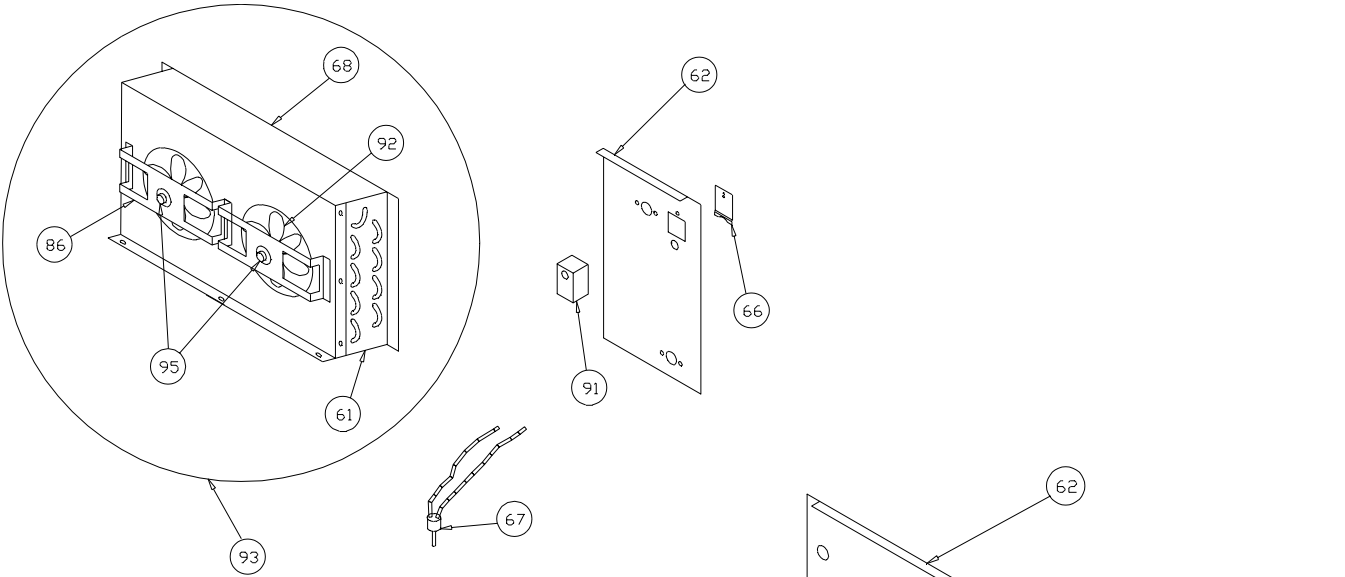
48" WIDE CONTROL BOX EXPLODED VIEW



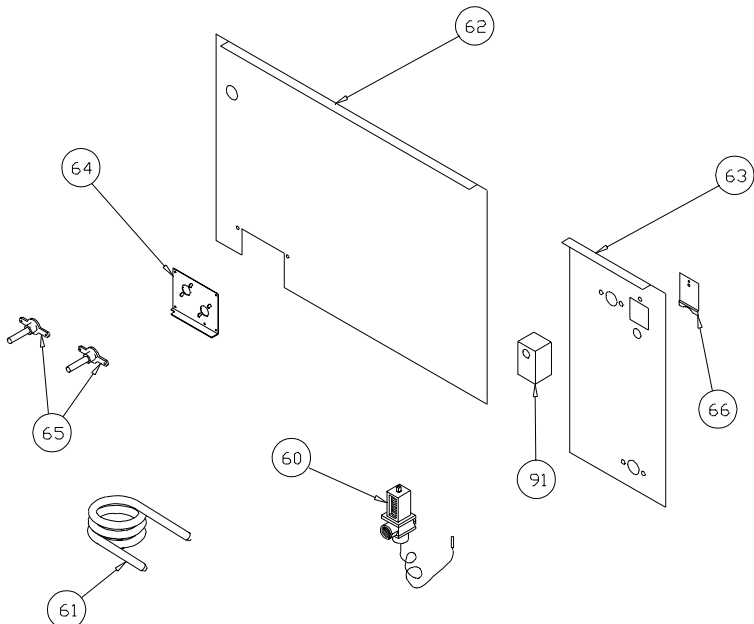
48" WIDE PANEL EXPLODED VIEW



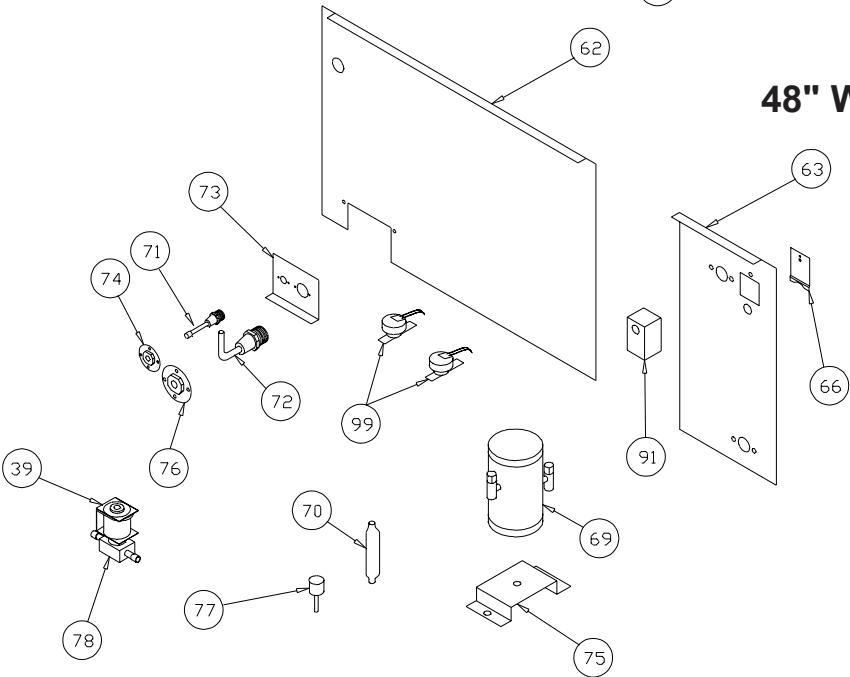
48" WIDE AIR COOLED CONDENSER EXPLODED VIEW



48" WIDE WATER CONDENSER EXPLODED VIEW



48" WIDE REMOTE CONDENSER EXPLODED VIEW

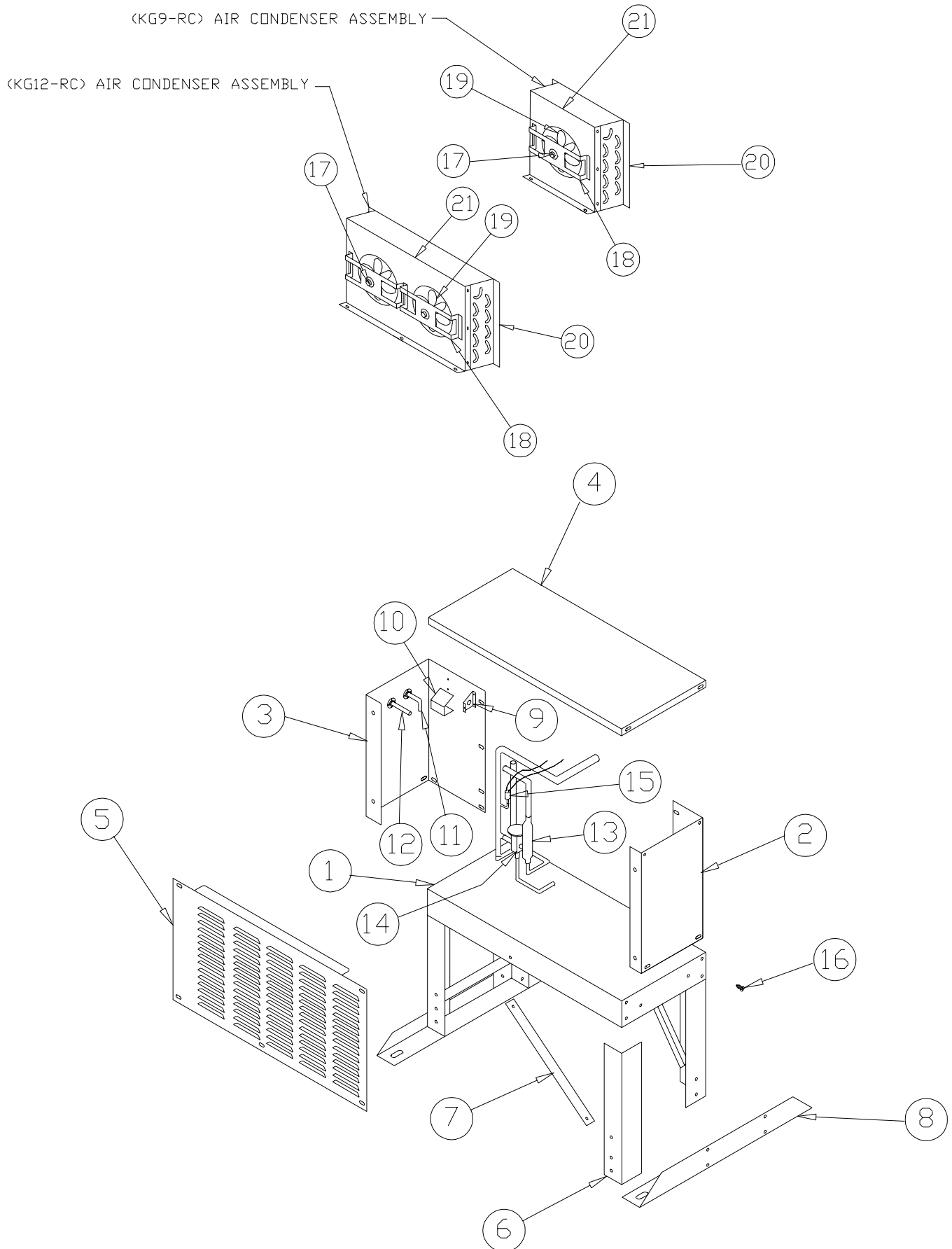


48" WIDE ICE MAKERS					
KEY #	DESCRIPTION		PART NUMBER		
			G12 - A	G12 - W	G12 - R
			AIR COOLED	WATER COOLED	REMOTE COOLED
22	Compressor relay	208 / 230 V. 60 Hz.	5004245	5004245	5004245
		220 / 240 V. 50 Hz.	5004234	5004234	5004234
23	Transformer		5000609	5000609	500609
24	Contactora		88295947	88295947	88295947
25	Refrigerant service valve		88295943	88295943	88295943
26	Circuit board		5005030	5005030	5005030
27	Toggle switch		88917953	88917953	88917953
28	Manual water dump switch		9201097	9201097	9201097
29	High pressure cut out		N/A	5004941	5004941
30	Control box	painted	9200682	9200682	9200682
31	Control box cover	painted	9200648	9200648	9200648
32	Water dump solenoid		9200506	9200506	9200506
33	Water dump solenoid to drain fitting tubing		9200508	9200508	9200508
34	Water drain fitting		9200661	9200661	9200661
35	Drier		5002036	5002036	5002036
36	Drier bracket		N/A	N/A	9200719
37	Water pump cover		9200883	9200883	9200883
38	Water inlet fitting		9201026	9201026	9201026
39	Solenoid coil		88296419	88296419	88296419
40	Hot gas solenoid body only		88295936	88295936	88295936
41	Terminal block cover		9200993	9200993	9200993
42	Terminal block		9200635	9200635	9200635
43	Tee to water dump solenoid tubing		9200662	9200662	9200662
44	Top panel	painted	9200564	9200564	9200564
45	Front panel assembly	painted	9200647	9200647	9200647
46	Front panel screw	brass (painted)	88298871	88298871	88298871
47	Water pan assembly		9200725	9200725	9200725
48	Curtain		9200644	9200644	9200644
49	Center water pan support		9200757	9200757	9200757

48" WIDE ICE MAKERS				
KEY #	DESCRIPTION	PART NUMBER		
		G12 - A	G12 - W	G12 - R
		AIR COOLED	WATER COOLED	REMOTE COOLED
50	Horizontal brace	9200568	9200568	9200568
51	Ice Deflector	9200545	9200545	9200545
52	Front panel screw stainless	88130485	88130485	88130485
53	Expansion valve		5003864	5003864
		alternate	5001390	5001390
				5001390
				N/A
54	Circuit board bracket	9200683	9200683	9200683
55	Frame support	9200578	9200578	9200578
56	Water supply tube	9200605	9200605	9200605
57	Float bracket	88297691	88297691	88297691
58	Float assembly	9200377	9200377	9200377
59	Water pump assembly	5004771	5004771	5004771
60	Water regulating valve	N/A	88048125	N/A
61	Condenser	9200218	9200535	N/A
62	Rear panel	9200562	5002753	5002753
63	Rear fitting panel	N/A	5002752	5002752
64	Water condenser line bracket	N/A	88298808	N/A
65	Condenser water fitting	N/A	88297642	N/A
66	Electric box cover	5003245	5003245	5003245
67	Fan cycle control	5000056	N / A	N / A
68	Fan shroud	9200323	N/A	N/A
69	Receiver tank	N/A	N/A	5000049
70	Check valve	N/A	N/A	5000048
71	Quick connect inlet fitting	N/A	N/A	5000053
72	Quick connect outlet fitting	N/A	N/A	5000052
73	Remote condenser line bracket	N/A	N / A	5000044
74	Line coupling bracket	N/A	N/A	5000054
75	Receiver bracket	N/A	N/A	5000045
76	Outlet fitting bracket	N/A	N/A	5000055

48" WIDE ICE MAKERS					
KEY #	DESCRIPTION	PART NUMBER			
		G12 - A	G12 - W	G12 - R	
		AIR COOLED	WATER COOLED	REMOTE COOLED	
77	Low pressure control	N/A	N/A	9201078	
78	Pump down solenoid valve body	N/A	N/A	5000086	
79	Tee to distributor tube tubing	9200603	9200603	9200603	
80	Water pan to pump tube	9200600	9200600	9200600	
81	Right side panel - louvered stainless	9200668	9200668	9200668	
82	Right side panel - solid stainless	9200666	9200666	9200666	
83	Left side panel - solid stainless	9200667	9200667	9200667	
84	Left side panel - louvered stainless	9200669	9200669	9200669	
85	Top panel stainless	9200665	9200665	9200665	
86	Fan bracket	9200324	N/A	N/A	
87	Front panel assembly stainless	5001218	5001218	5001218	
88	Wiring harness jumper assembly	9201031	9201031	9201031	
89	Wiring harness	5004250	5004250	5004250	
90	Wire cover	9201080	9201080	9201080	
91	Electric junction box	1000501	1000501	1000501	
92	Fan blade	88292273	N/A	N/A	
93	Condenser assembly	9200612	N / A	N / A	
94	3/4 x 3/4 x 3/4 Tee	9201083	9201083	9201083	
95	Fan motor	208 / 230 V. 60 Hz.	88295995	N/A	N/A
		220 / 240 V. 50 Hz.	88296004	N/A	N/A
96	3/8" nipple	5003918	5003918	5003918	
97	Water pan support	9201034	9201034	9201034	
98	Water pan support gasket	5003728	5003728	5003728	
99	Therm-O-disc	N/A	N/A	88296841	
--	Distributor tube clip	88294948	8829494	88294948	
--	Curtain shim	Full thickness	5001410	5001410	5001410
		Half thickness	5001413	5001413	5001413
--	Retractable curtain guide pin	88295931	88295931	88295931	
--	Hartell impeller repair kit	5003399	5003399	5003399	

REMOTE CONDENSER EXPLODED VIEW



REMOTE CONDENSER PARTS LISTING

REMOTE CONDENSERS					
KEY #	DESCRIPTION	PART NUMBER			
		KG5-RC	KG9-RC	KG12-RC	
1	Base panel	5000035	5000035	9200772	
2	Right side panel	5000036	5000036	9200775	
3	Left side panel	5000037	5000037	9200774	
4	Top panel	5000042	5000042	9200773	
5	Back panel	5000043	5000043	9200776	
6	Leg bracket	5000040	5000040	5000040	
7	Leg support	5000041	5000041	5000041	
8	Leg gusset	5000046	5000046	5000046	
9	Electrical box side	5000038	5000038	9200771	
10	Electrical box cover	5000039	5000039	5000039	
11	Quick connect outlet fitting	5000052	5000052	5000052	
12	Quick connect inlet fitting	5000053	5000053	5000053	
13	Check valve	5000048	5000048	5000048	
14	Head pressure control	5000051	5000051	5000051	
15	Fan cycling control	5000056	5000056	5000056	
16	#10 Zip screw	0901305	0901305	0901305	
17	Fan motor	115 V. 60 Hz.	5006614	N/A	N/A
		208 / 230 V. 60 Hz.	N/A	5006074	5006074
		220 / 240 V. 50 Hz.	N/A	5006073	5006073
18	Fan bracket	88292895	88292895	9200780	
19	Fan blade	88292272	5006071	5006071	
20	Condenser	88291187	88291188	9200218	
21	Fan shroud	88292932	88292933	9200707	
--	Refrigeration line stub kit	5001368	5001368	5001368	