

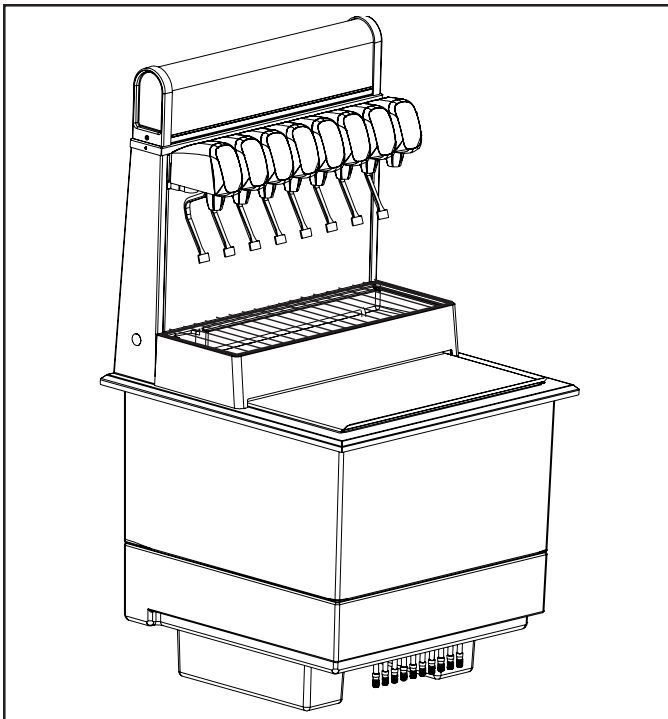


**Servend®**

# Intellicarb™ 2323

IC2323 Drop-In Ice Cooled 6 & 8 Valve Dispensers  
with McCann Carbonator Tank

## EXPLODED VIEW PARTS LIST



**Notice: DO NOT throw this manual away.**  
**This manual contains important information**  
**regarding this product.**  
**Keep this manual at the dispenser location.**



ISO 9001:2000  
Quality System Certified



### Manitowoc Beverage Equipment

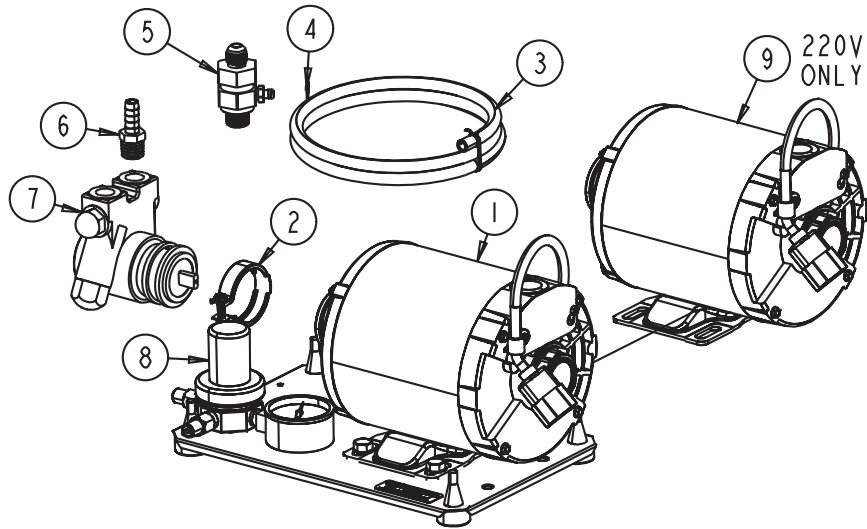
2100 Future Drive • Sellersburg, IN 47172-1868  
Tel: 812.246.7000, 800.367.4233 • Fax: 812.246.9922  
[www.manitowocbeverage.com](http://www.manitowocbeverage.com)

In accordance with our policy of continuous product development and improvement, this information is subject to change at any time without notice.



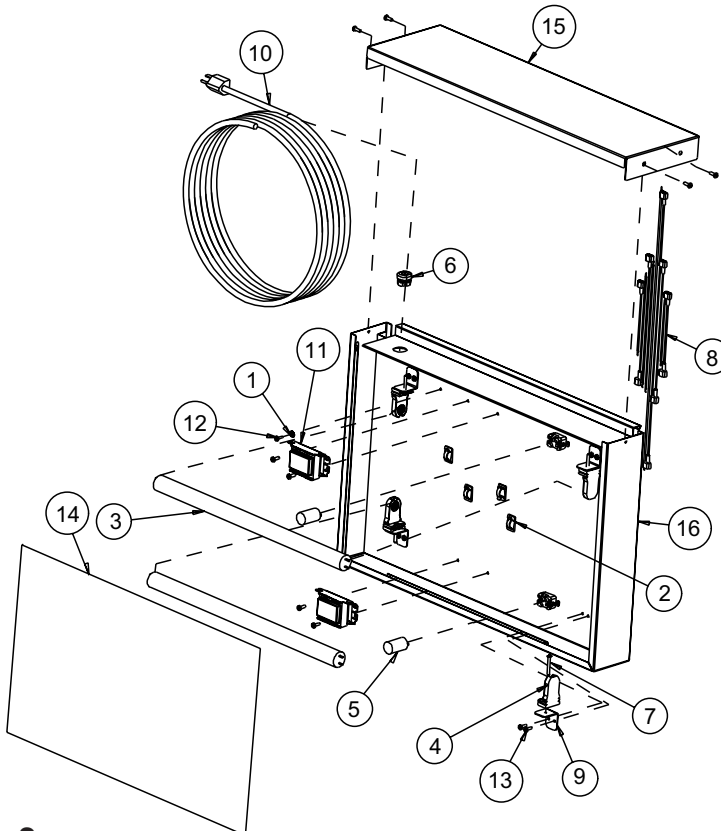
# EXPLODED VIEWS, PARTS & DIAGRAMS

## PUMP DECK



ITEM	QTY	PART #	DESCRIPTION
1	1	5028931	MOTOR, AO SMITH, 115V, 1/3 HP
2	1	020000099	CLAMP, V-BAND, CARBONATOR
3	1	020000100	TUBING, 1/4 ID X 3/8 OD, CLEAR, CUT 6FT
4	1	020000101	CLAMP, SPRING, 7/16"
5	1	5031042	ASSE 1022, BACKFLOW PREVENTER
6	1	020000102	FITTING, 3/8 BARB X 3/8 MNPT
7	1	5009613	PUMP, BRASS, ROTARY VANE, 125 GPH
8	1	020000103	REGULATOR, 75 PSI PRESET W/ GAUGE
9	1	5009598	MOTOR, 1/3 HP 200-240 V 50/60HZ

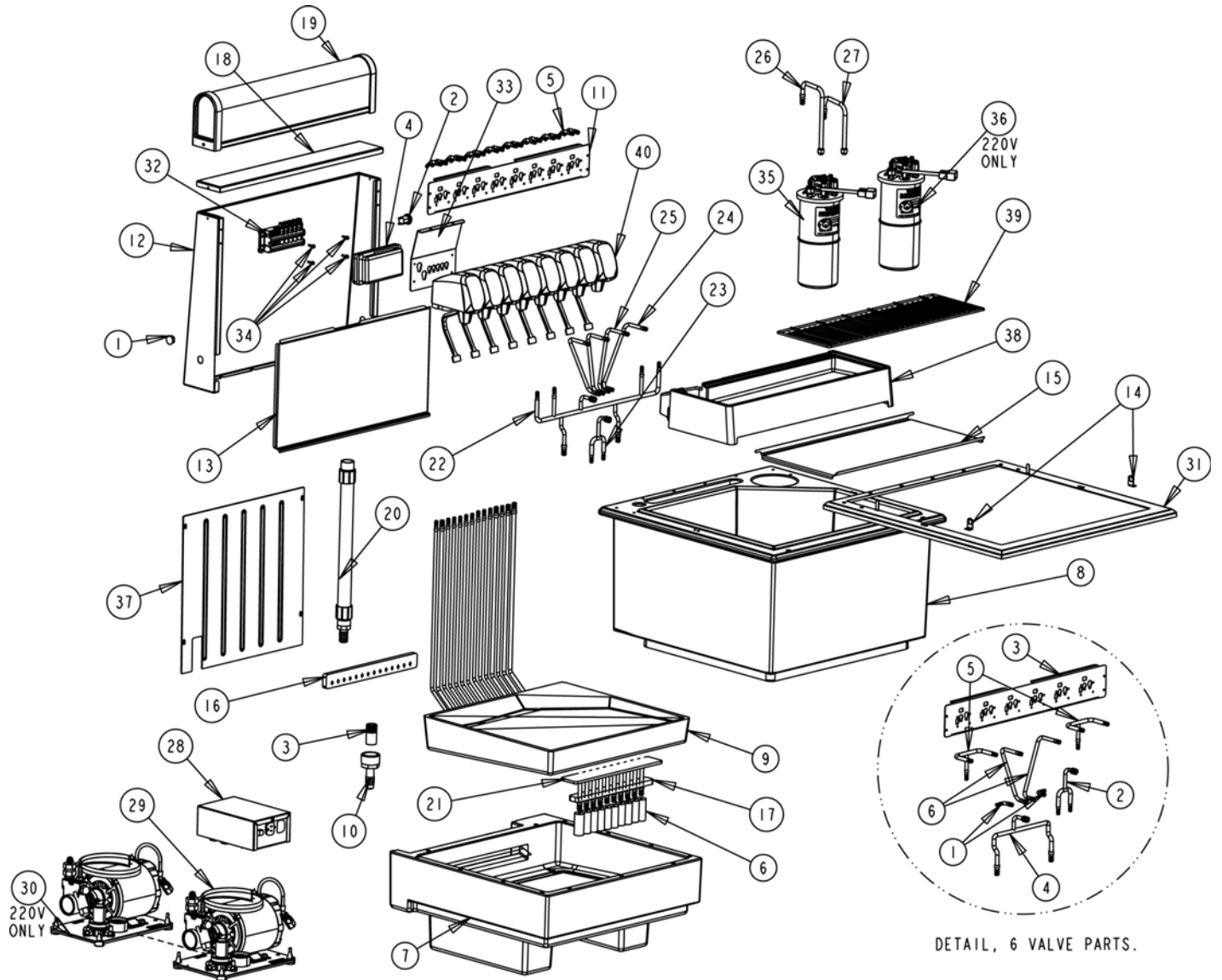
## LIGHT BOX



No	Part #	Description
1	0901915	WASHER STAR #8 SS
2	0905403	CLIP PLASTIC WIRE & CORD
3	1000309	TUBE FLORESCENT
4	1001001	SOCKET END LIGHT
5	1001005	STARTER LEV FS2
6	1200301	PLUG HEYCO CORD STRAIN RELIEF
7	5000974	SCREW 8-32 X 1 1/4" PH PS
8	5008415	WIRING HARNESS IC2323 LB
9	5008416	BRACKET
10	5008642	CORD ELECTRIC
11	5008644	BALLAST
12	5011936	SCREW 8-32 X 1/2 GRND ZINC
13	5011940	SCREW 8-32 X 1/2
14	20001620	MEDALLION PEPSI LIGHT BOX
15	20001623	CAP LIGHT BOX
16	20001635	BOX LIGHT WELDED

# EXPLODED VIEWS, PARTS & DIAGRAMS

## IC2323 6 & 8 VALVE EXPLODED VIEW



# EXPLODED VIEWS, PARTS & DIAGRAMS

## IC2323 6 & 8 VALVE PARTS LIST

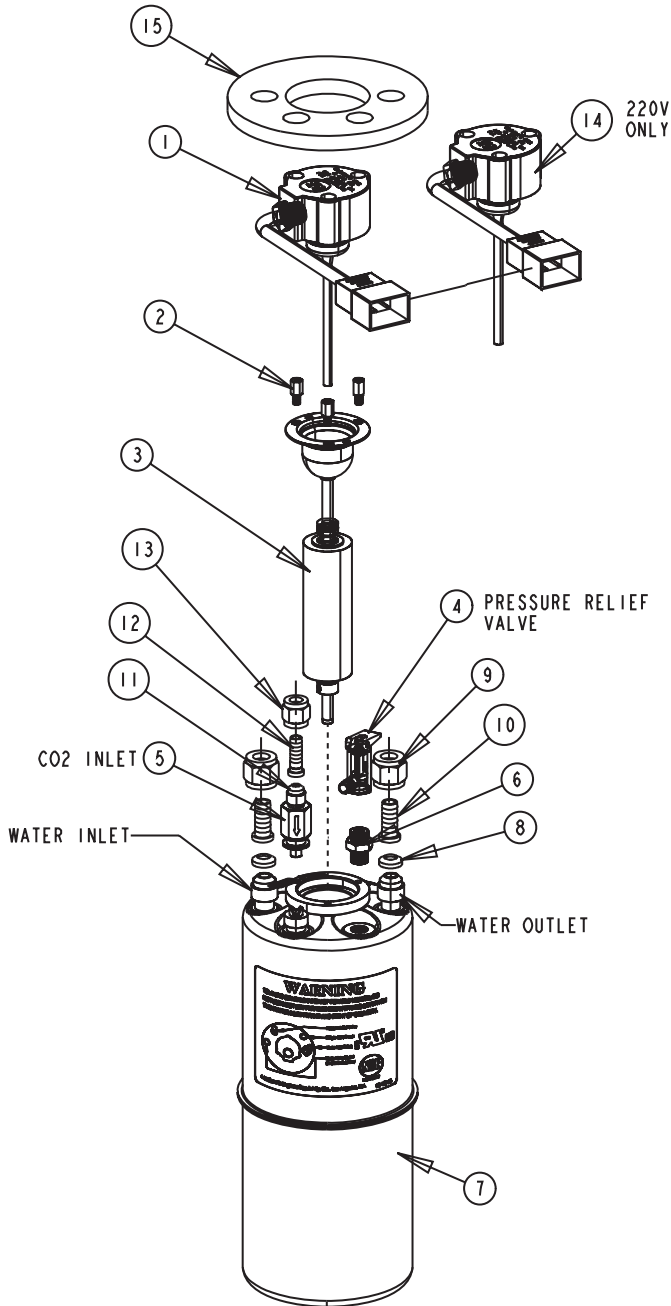
No.	Part Number	Description	No.	Part Number	Description
1	1200322	PLUG-D HEYCO 2503	25	5030192	LINE POSTCHILL VLV 4&5
2	5000220	KEYSWITCH	26	5030556	TUBE CARBONATOR OUTLET
3	5009298	NIPPLE 3/4 X 2-1/4 SLIPON	27	5030557	TUBE CARBONATOR INTLET
4	5010332	INSUL MANIFOLD INT CARB	28	5031650	POWER SUPPLY
5	5013687	ELBOW, 45 DEG. 1/4" BARB INLET	29	5031856	DECK 115V PUMP VB
6	5028059	INSUL 1/4 X 2-1/4	30	5031857	DECK 220V PUMP VB
7	5029327	BASE IC 2323	31	020000251	WRAP WELDED BEZEL
8	5029328	BIN ICE BLK	32	020000986	MANIFOLD 4 PORT RAISED
9	5029329	COLDPLATE	33	020000989	PLATE MANIFOLD MTG
10	5029539	NPT BARB	34	020000992	SCR 8-32 X 4/8 T410SS HH TRI-LOBE
11	5029632	PLATE VLV MNTG 8 VLV	35	020001036	TANK CARB 115V
12	5029633	WRAP TOWER	36	020001037	TANK CARB 220V
13	5029638	PANEL SPLASH	37	5013849	COVER REAR
14	5029734	DOOR TAB	38	5013850	DRAINPAN BLACK
15	5029735	COVER ICE BIN	39	5013864	CUP GRID (OPTIONAL GRID ACCUFILL #5013865)
16	5029742	GSKT RETAINING FOAM	40	VLV	SEE BOM
17	5029743	GSKT RETAINING FOAM		0901805	WASHER FLAT 1/4" SS
18	5029783	CAP TOWER		5011953	SCR 10-24 X 1-1/4 SELF TAP
19	5029785	LIGHT KIT		5013883	CORD POWER
20	5029787	TUBE DRAINPAN		5029797	BOLT HEX 1/4-20 X 5.000
21	5029844	GSKT RETAINING FOAM		5011794	REG WTR 50 PSI
22	5029892	CARB WATER MANIFOLD		5013878	DRAIN STRAINER
23	5029893	PLAIN WATER MANIFOLD		5011377	VLV DBL CHK 3/8 HB X 3/8 HB
24	5030191	LINE POSTCHILL VLV 3&6			

## IC2323 6 VALVE ONLY PARTS LIST

No.	Part Number	Description	No.	Part Number	Description
1	5008239	LINE MANIFOLD OUT 1/4"	4	5031505	CARB WTR MANIFOLD 6 VLV
2	5030836	MANIFOLD PLAIN WATER	5	5031507	MANIFOLD 2 VLV
3	5031413	PLATE VLV MNTG 6 VLV	6	5031509	LINE POST CHILL 3 & 4

# EXPLODED VIEWS, PARTS & DIAGRAMS

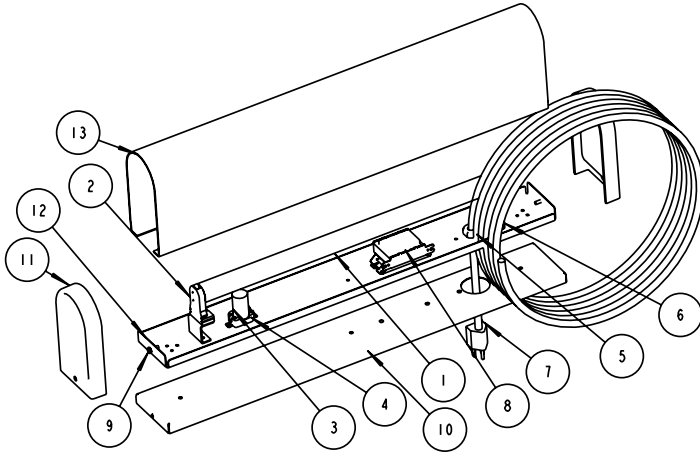
## CARBONATOR TANK / BAFFLE ASSEMBLY



ITEM	PART #	DESCRIPTION
1	16-2115-41	ASSY. PROBE 115V ELECTRICAL, BLACK CAP, SOLENOID DRIVING, SPARE PARTS KIT FOR PROBE IS <a href="#">16-1404</a> .
2	09-1877	STUD, PROBE
3	15-1951	ASSY, 115V/220V, PROBE, FLOAT RING.
4	5030390	VALVE PRESSURE RELIEF 125 PSI W/BARB
5	00701312	CHECK VALVE, CARBONATOR, SINGLE 1/4 MALE FLARE.
6	19-0934	FITTING, .125NPT X PRV, S.S. ADAPTER.
7	15-3119	ASSY CARBONATOR 10" WELD COMPLETE
8	1701115	WASHER, 3/8 IN. NYLON WHITE.
9	1701110	NUT, 3/8 X 9/16 IN. SWIVEL FTG.
10	5009025	FITTING, 1/4 IN. SWIVEL 3/8 BARB.
11	1701113	WASHER, 1/4 IN. NYLON WHITE.
12	1701109	FITTING, 1/4 IN. SWIVEL HOSE BARB.
13	1701108	NUT, 1/4 X 3/8 IN. SWIVEL FTTG.
14	16-2226-41	ASSY. PROBE 220V ELECTRICAL 50/60HZ BLACK CAP, SOLENOID DRIVING, SPARE PARTS KIT FOR PROBE IS <a href="#">16-1406</a> .
15	5031855	INSUL DOMED CARB

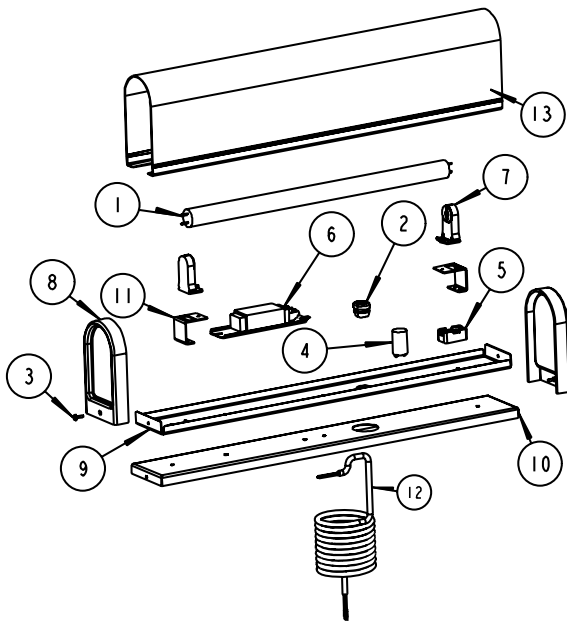
# EXPLODED VIEWS, PARTS & DIAGRAMS

## 115V MERCHANDISER



No.	Part Number	Description
1	1000309	TUBE FLUORESCENT 18"
2	1001001	SOCKET END LIGHT
3	1001005	STARTER LEV FS2
4	1001006	STARTER BASE
5	1200301	PLUG HEYCO CORD STRAIN RELIEF
6	4340151	BRACKET, SIDE RIGHT/LEFT LIGHT
7	5008642	CORD ELECTRIC
8	5008644	BALLAST 115/60
9	5011940	SCREW 8-32 X 1/2
10	5029635	CAP TOWER W/MERCH
11	5029749	CAP MERCH END BLACK
12	5029752	BRACKET LIGHT MOUNT ROUND
13	MEDALLION1	MEDALLION PEPSI FORMED

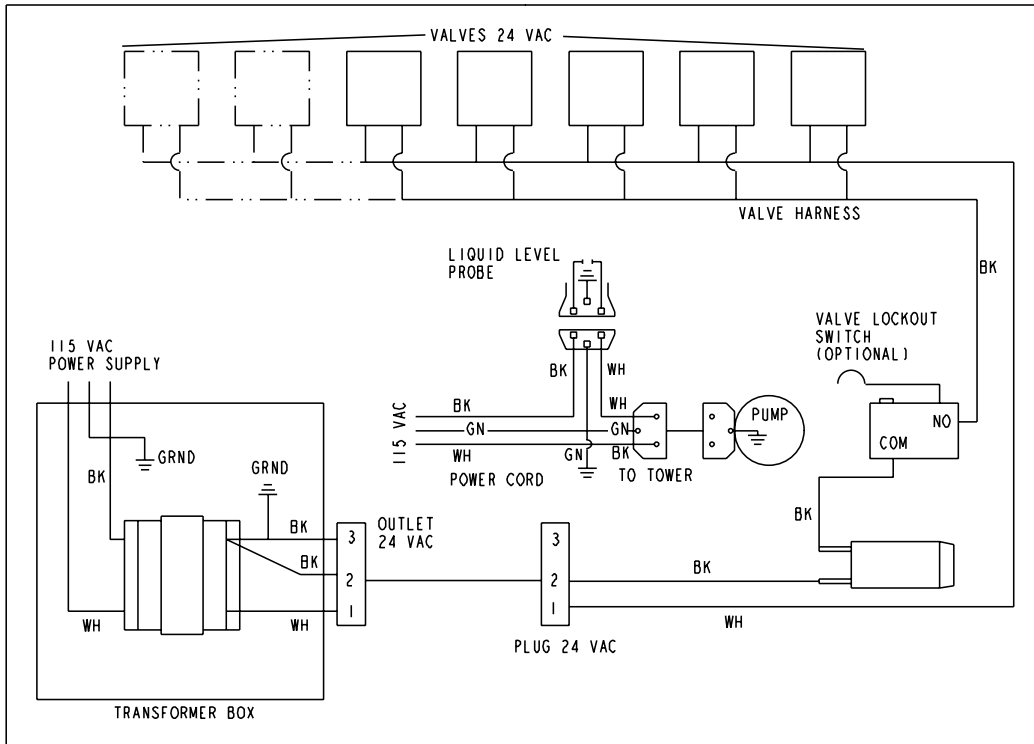
## 220/240V MERCHANDISER



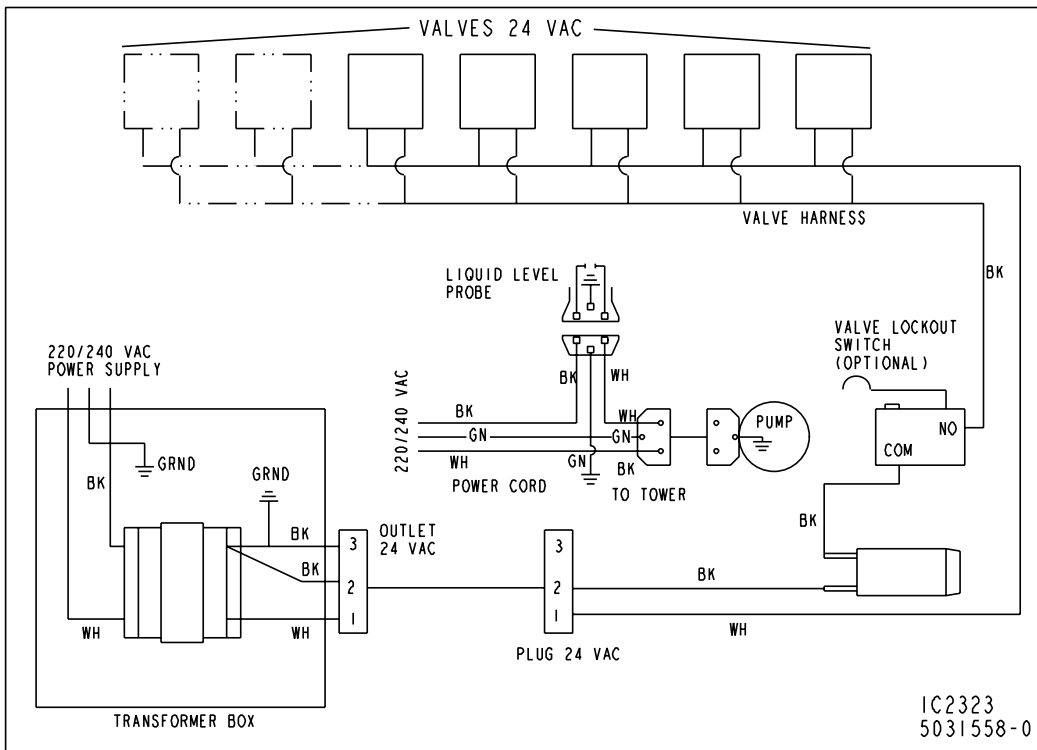
No.	Part Number	Description
1	1000309	TUBE FLUORESCENT 18"
2	1200301	PLUG HEYCO CORD STRAIN RELIEF
3	5011940	SCREW 8-32 X 1/2
4	5013278	STARTER S10 220-240V CE
5	5013279	BASE STARTER CE
6	5013434	BALLAST 18W 230/50
7	5013617	SOCKET END LIGHT
8	5029749	CAP MERCH END BLACK
9	5031560	BRACKET LIGHT MOUNT ROUND
10	5031565	CAP TOWER W/MERCH
11	5031566	BRACKET, SIDE RIGHT/LEFT LIGHT
12	5031567	CORD ELECTRICAL 220 VOLTS 50 AND 60 HERTZ
13		SEE BOM

# EXPLODED VIEWS, PARTS & DIAGRAMS

## 115V WIRING DIAGRAM



## 220/240V WIRING DIAGRAM





**Manitowoc Beverage Equipment**

2100 Future Drive • Sellersburg, IN 47172-1868  
Tel: 812.246.7000, 800.367.4233 • Fax: 812.246.9922  
[www.manitowocbeverage.com](http://www.manitowocbeverage.com)

In accordance with our policy of continuous product development and improvement, this information is subject to change at any time without notice.