



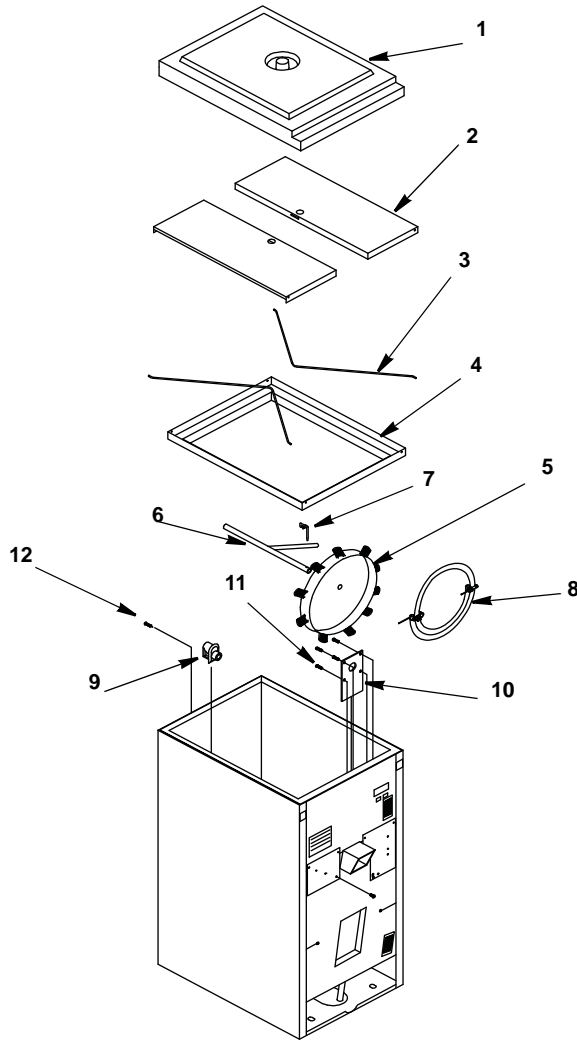
Parts List M Series

M-15

M-90

M-45

M-15 Exploded View - TOP

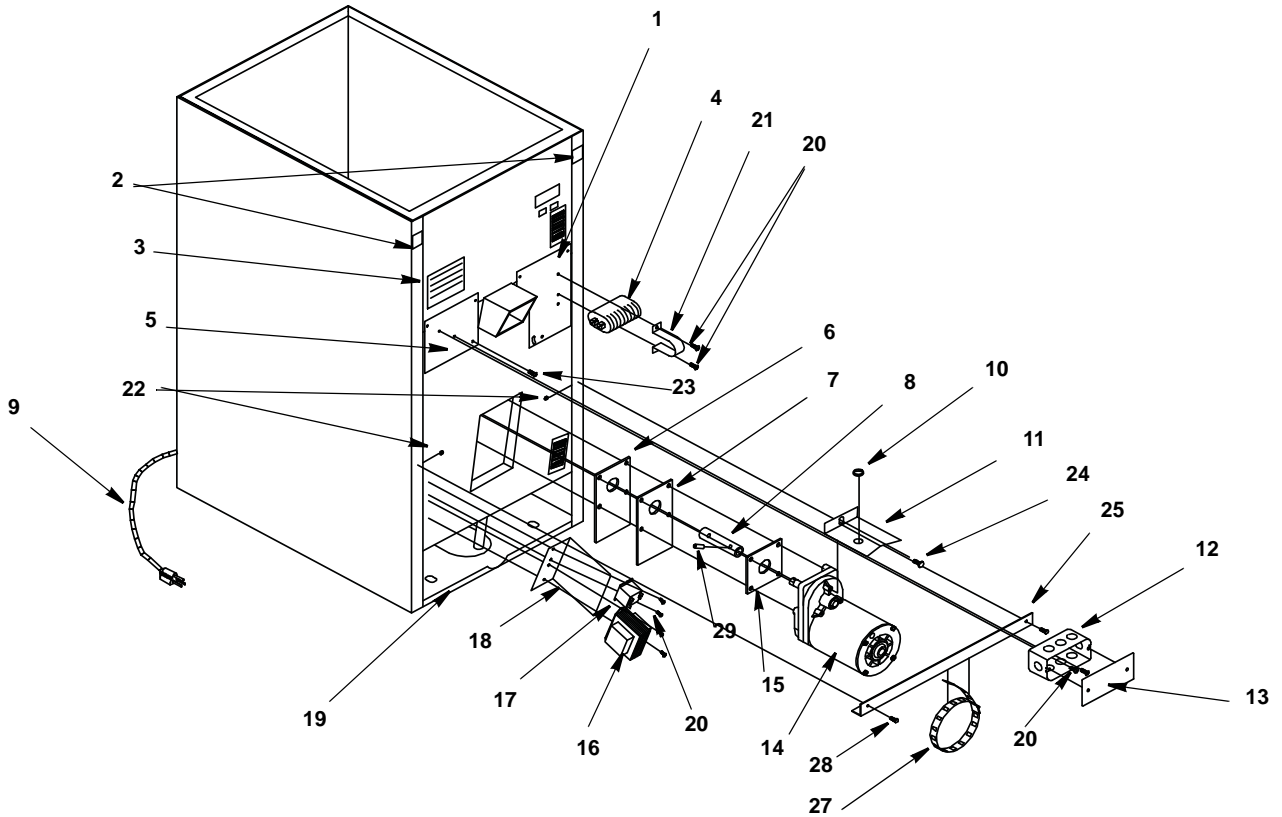


No Longer in Production

DESCRIPTION

	DESCRIPTION	PART NO.
1	Lid.....	4100075
2	Flipper Door.....	4105503
3	Flipper Door Rod.....	4100008
4	Flipper Door Frame.....	4105502
5	Paddle Wheel.....	2602235
6	Agitator.....	4105706
7	Paddle Wheel Pin.....	5001683
8	Drain Kit Assembly.....	2602528
9	Mushroom Bushing.....	0101702
10	Bin Insulator Plate.....	7015901
Miscellaneous - Brackets, Screw, Etc.		
11	1/4-20x1" Stainless Steel Hex Head Cap Screw.....	0900636
12	8x3/4" Stainless Steel Tapping Screw.....	0901007

M-15 Exploded View - BASE

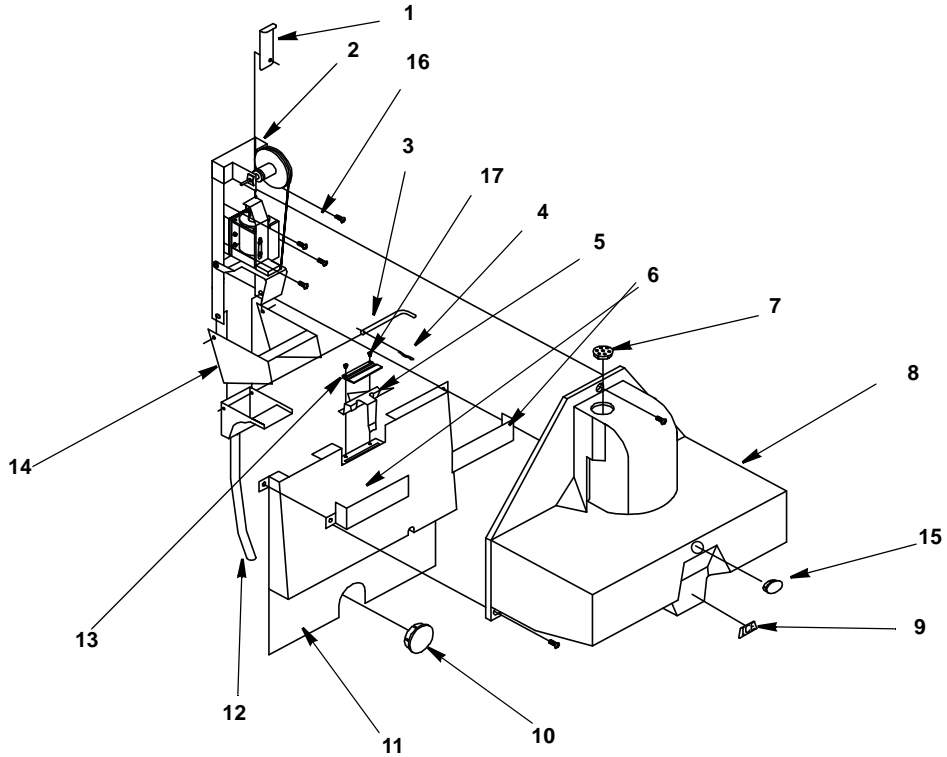


No Longer in Production

DESCRIPTION

	DESCRIPTION	PART NO.
1	Galvanized Extension - Right	4100071
2	Mylar Foam Hole Cover	0301203
3	Wiring Diagram	5002215
4	Capacitor for Gear Motor	
a.	(5 mfd) 115V - 60Hz	1001741
b.	(8 mfd) 100V - 50/60Hz	1001710
c.	(3 mfd) 220V - 50Hz	5000344
d.	(3 mfd) 220V - 60Hz	5000344
e.	(2 mfd) 240V - 50Hz	5000343
5	Galvanized Extension - Left	4100070
6	Bin Insulator Gasket	0400231
7	Bin Insulator	2601968
8	Motor Shaft Sleeve	2602236
9	Power Cord 115V - 60Hz Only	2600711
10	Vinyl Grommet	0905702
11	Motor Cover	4100024
12	Electrical Box Assembly	4100051
13	Electric Box Lid	1000507
14	Gear Motor	
a.	115V - 60Hz	020000620
b.	100V - 50/60Hz	020000620
c.	220V - 50Hz	5000345
d.	220V - 60Hz	5000345
e.	240V - 50Hz	5000345
15	Motor Insulator Spacer	2602208
16	Transformer	
a.	115V - 60Hz	1001424
b.	100V - 50/60Hz	5001087
c.	220V - 50Hz	5000967
d.	220V - 60Hz	5000967
e.	240V - 50Hz	5000967
17	24 Volt Relay	5000900
18	Transformer Relay Shield	5002242
19	Finger Guard	4100063
	Miscellaneous - Brackets, Screw, Etc.	
20	8x1/2" Stainless Steel Tapping Screw	0901001
21	Capacitor Bracket	4100051
22	10-32 ESNA Nut	0902316
23	Ground Screw	0903903
24	1/4-20 x 3/8" Bolt	0900635
25	Motor Brace	4570042
26	8x1/2" Stainless Steel Tapping Screw	0901001
27	Large Radiator Clamp	0903205
28	10-32 x 1/2" Screw	0901301
29	1/4 x 5/8" Spring Pin	0905005

M-15 A & B Exploded View - FRONT



No Longer in Production

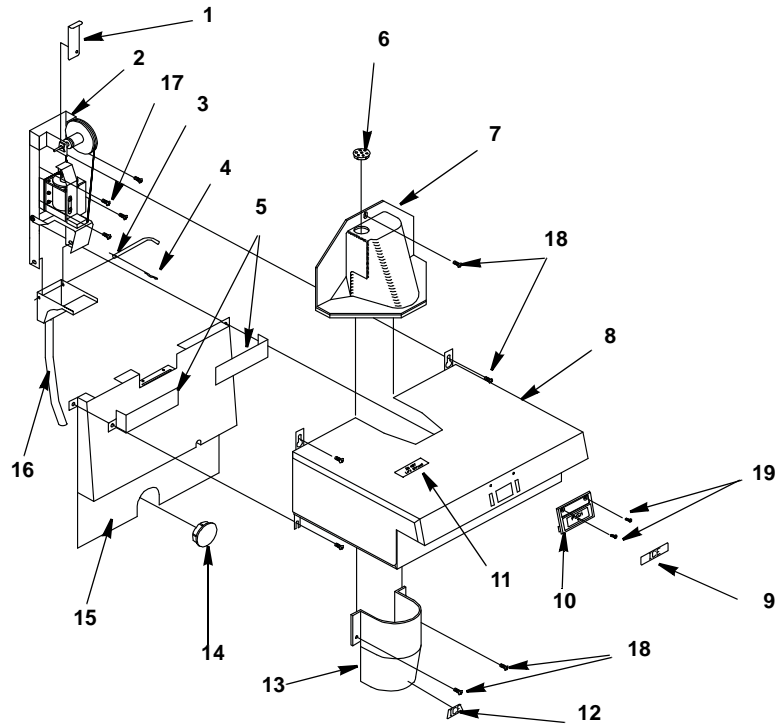
DESCRIPTION

			PART NO.
1	Fake Valve Alignment Brace.....	4100006	
2	Door Assembly (Solenoid not included).....	4105908	
3	Drip Pan Rod.....	4100000	
4	Hitch Pin.....	0905209	
5	Push-plate (A Only).....	4100054	
6	UL Cover Top Angle (2 Required).....	4100069	
7	Vented Heyco Plug.....	1200321	
8	Fake Valve Cover.....	4105508	
9	"ICE" Sticker.....	0301299	
10	2 1/8" Heyco Plug.....	1200320	
11	UL Cover.....	4100022	
12	Drip Pan Assembly.....	4105901	
13	Push Plate Retaining Bracket (A Only).....	4100007	
14	Inner Ice Shield.....	4100038	
15	Push Button (B Only).....	5006080	

Miscellaneous - Brackets, Screw, Etc.

16	8x1/2" Stainless Steel Tapping Screw.....	0901001
17	10-32 x 1/2" Thumb Screw (A Only).....	0901501

M-15 C Exploded View - FRONT



No Longer in Production

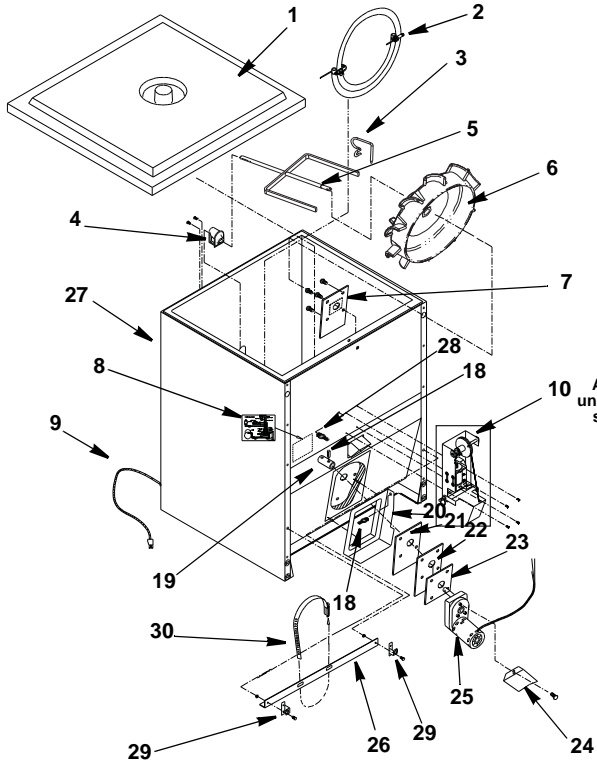
DESCRIPTION

		PART NO.
1	Fake Valve Alignment Brace	4100006
2	Door Assembly (Solenoid not included)	5002533
3	Drip Pan Rod	4100000
4	Hitch Pin	0905209
5	UL Cover Top Angle (2 Required)	4100069
6	Vented Heyco Plug	1200321
7	Solenoid Cover	4100076
8	False Valve Cover	5002229
9	"ICE" Sticker (Push Button)	5002538
10	Push Button	5002217
11	"DO NOT LIFT BY SHROUD" Sticker	5002473
12	"ICE" Sticker	0301299
13	Cover Chute	4100072
14	2 1/8" Heyco Plug	1200320
15	UL Cover	4100022
16	Drip Pan Assembly	4105901

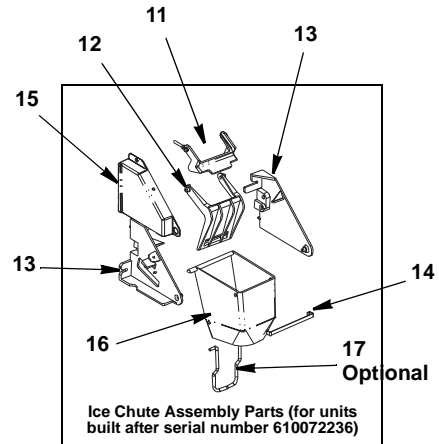
Miscellaneous - Brackets, Screw, Etc.

17	8x1/2" Stainless Steel Tapping Screw	0901001
18	8-32 x 1/2" Knurl Screw	0904403
19	6-32 x 3/8" Screw	5002197
20	Compressed Ice Agitator Kit (not shown)	5006903

M-45 & 90 Exploded View - BASE



Ice Door Assembly (for units built prior to serial number 610072236)

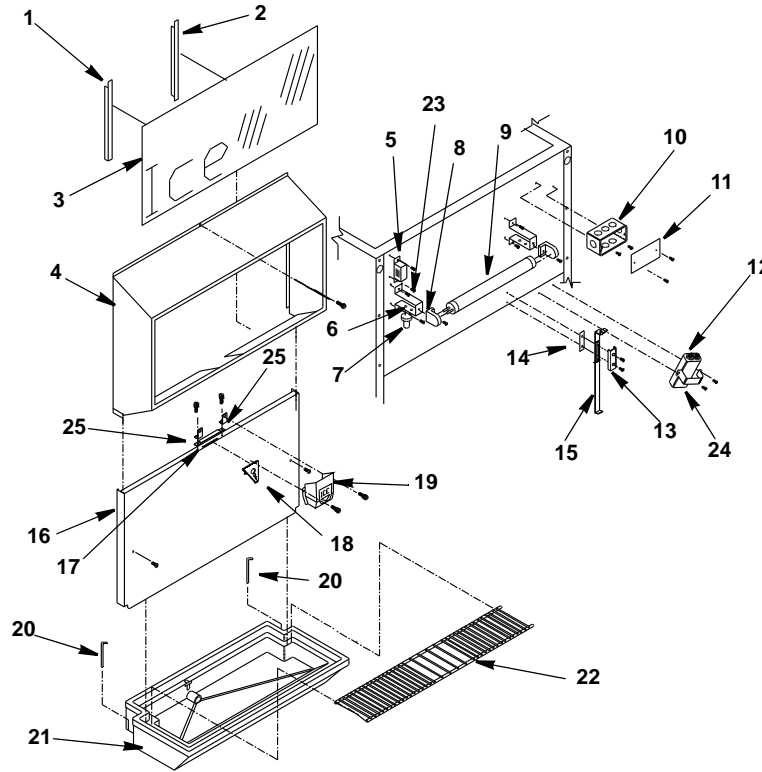


020002403
020002404

DESCRIPTION

DESCRIPTION	PART NO.
1 Lid	4570035
2 Drain Kit	2602528
3 U-Bar Agitator Pin	5010452
4 Mushroom Bushing	0101702
5 Agitator	5010328
6 Paddle Wheel	2602235
7 Bin Insulator Plate	7015901
8 Wiring Diagram	5000016
9 Electric Cord	5008642
10 Door Assembly for units built prior to serial number 610072236 (Solenoid Not Included)	
a. M-45	4635907
b. M-90	4575918
11 Rocking Chute Door Lock for units built after serial number 610072236	5002509
12 Rocking Chute Door for units built after serial number 610072236	5002508
13 Kit RC Brackets 5V-A (Includes The Two New Brackets, Cover, Screw For for units built after serial number 610072236)	020002673
14 Rocking Chute Outer Bracket for units built after serial number 610072236	5031384
15 Microswitch Splash Guard for units built after serial number 610072236	5029622
16 Drilled Rocking Chute for units built after serial number 610072236	020002665
17 OPTIONAL - Wire Sanitary Lever for units built after serial number 610072236	020002633
18 Motor Shaft Sleeve Roll Pin	0905005
19 Motor Shaft Sleeve	2602236
20 Cosmetic Motor Cover	Obsolete
21 Bin Insulator Gasket	0400231
22 Bin Insulator	2601968
23 Motor Insulator Spacer	2602208
24 Motor Cover	
a. M-45	4630035
b. M-90	Obsolete
25 Gear Motor	
a. 115V - 60Hz	020000620
b. 220/240V - 50/60Hz	5000345
26 Motor Brace	4570042
Miscellaneous - Brackets, Screw, Etc.	
27 Mushroom Bushing Screw	0901001
28 Stand Off Wire Tie	1000430
29 Splash Panel Clip	7060011
30 Extra Large Radiator Clamp	0903205

M-45 & 90 Exploded View - BASE



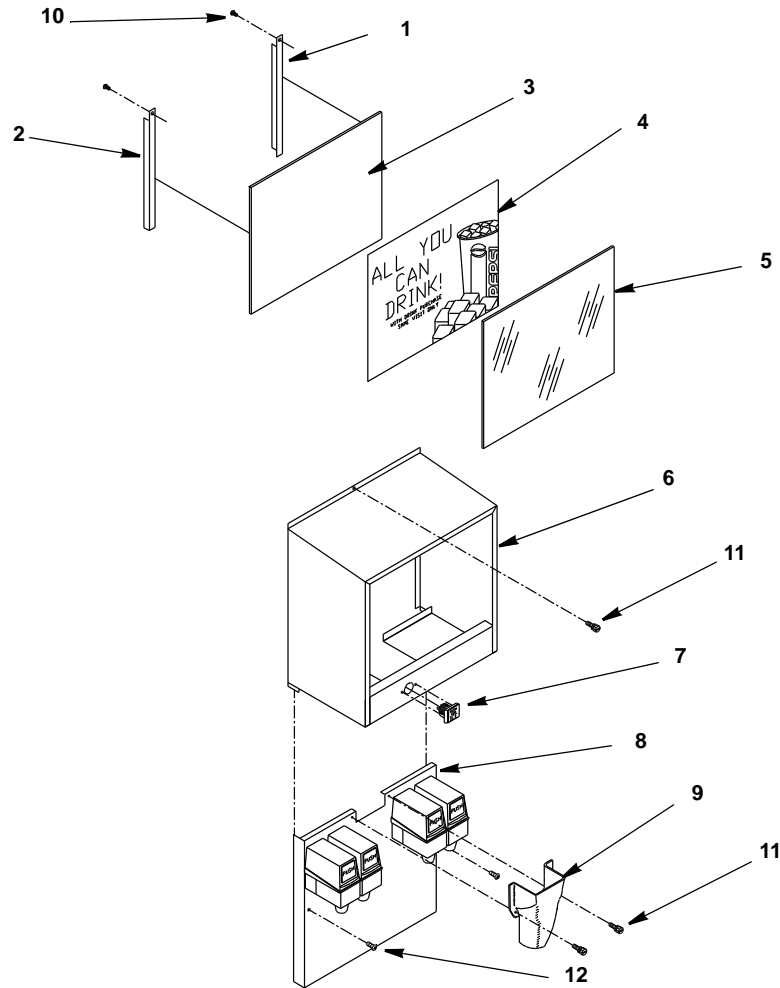
DESCRIPTION

DESCRIPTION	PART NO.
1 Merchandiser UL Angle (Right)	
a. M-45	4630025
b. M-90	4570052
2 Merchandiser UL Angle (Left)	
a. M-45	4630027
b. M-90	4570064
3 Medallions	
a. PL - Ice for M-45	5011999
b. PL - Ice for M-90	5012000
c. PL with Valves - Ice for M-45	N/A
d. PL with Valves - Ice for M-90	N/A
e. PB - Ice for M-45	N/A
f. PB - Ice for M-90	N/A
g. PB with Valves - Ice for M-45	N/A
h. PB with Valves - Ice for M-90	N/A
i. PL - Pepsi for M-45	N/A
j. PL - Pepsi for M-90	N/A
k. PB with Valves - White for M-45	N/A
l. PB with Valves - White for M-90	5006730
m. PB with Valves - Clear for M-45	N/A
n. PB with Valves - Clear for M-90	N/A
4 Merchandiser (Includes angles)	
a. M-45	020002193
b. M-90	020002194
5 Ballast	
a. 120V - 60Hz	1000315
b. 100V - 50/60Hz	5000870
c. 220V - 50Hz	5000348
d. 220V - 60Hz	5000349
e. 240V - 50Hz	5000350
6 Starter Base	020002168
7 Fluorescent Starter	1001005
8 Fluorescent Light Socket	1001001
9 Fluorescent Tube	1000318
10 Electric Box	4635906
11 Electric Box Cover	1000507
12 Capacitor	
a. 120V - 60Hz	1001741
b. 100V - 50/60Hz	1001710
c. 220V - 50Hz	5000344
d. 220V - 60Hz	5000344
e. 240V - 50Hz	5000343
13 Shoulder Plate	7060016
14 Microswitch Actuator Slide	7060002
15 Microswitch Actuator	
a. M-45	4630031
b. M-90	7010017
16 Splash Panel	4570024
17 Push Plate Brace	7010032
18 Push Plate	7060000
19 Ice Chute	4575506
20 Drain Pan Pin	4140023
21 Drain Pan	4575914
22 Drain Pan Grid	0100119
Miscellaneous - Brackets, Screw, Etc.	
23 Light Socket Bracket	7050046
24 Capacitor Bracket	1001707
25 Chute Mounting Bracket	7010003

Not Shown

26	Motor Plate Bolts	0900636
27	Legs	
	a. 4" Plastic	5000684
	b. 4" Stainless	5001021
28	Empty Light 115V 60Hz	5006233
29	Ice Flow Restrictor	7012003
30	Push Button Switch Assembly	1001120
31	Transformer for Valves	
	a. 120V - 60Hz	1001424
	b. 100V - 50/60Hz	5001087
	c. 220V - 50Hz	5007111
	d. 220V - 60Hz	5007111
	e. 240V - 50Hz	5007111
32	Extended Splash Panel	
	a. Standard for M-45	N/A
	b. Punched for 4 Flomatic Valves (M-45)	N/A
33	Grid Lifter for M-90	4572039
34	Wiring harness	020002187

M-90 Exploded View - FRONT



DESCRIPTION

DESCRIPTION	PART NO.
1 Merchandiser Angle (Right)	4590054
2 Merchandiser Angle (Left)	4590057
3 Opaque Medallion	5000406
4 Trans-light - "All You Can Drink"	5000635
5 Clear Merchandiser	5000611
6 Merchandiser	020002194
7 Push for Ice Switch - 2" Square	1001120
8 Splash Panel Punched for 4 Valves	5000403
9 Ice Chute (for units built prior to serial number 610072236)	Obsolete

Miscellaneous - Brackets, Screw, Etc.

10 Medallion Screw	0901005
11 Knurled Screw	5008033
12 Splash Panel Screw	0901001