

MII SERIES



Servend

EXPLODED VIEWS



Manitowoc Beverage Equipment

2100 Future Drive Sellersburg, IN 47172-1868
Tel: 812.246.7000, 800.367.4233 • Fax: 812.246.9922
www.manitowocbeverage.com

In accordance with our policy of continuous product development and improvement, this information is subject to change at any time without notice.

Revision February 23, 2004

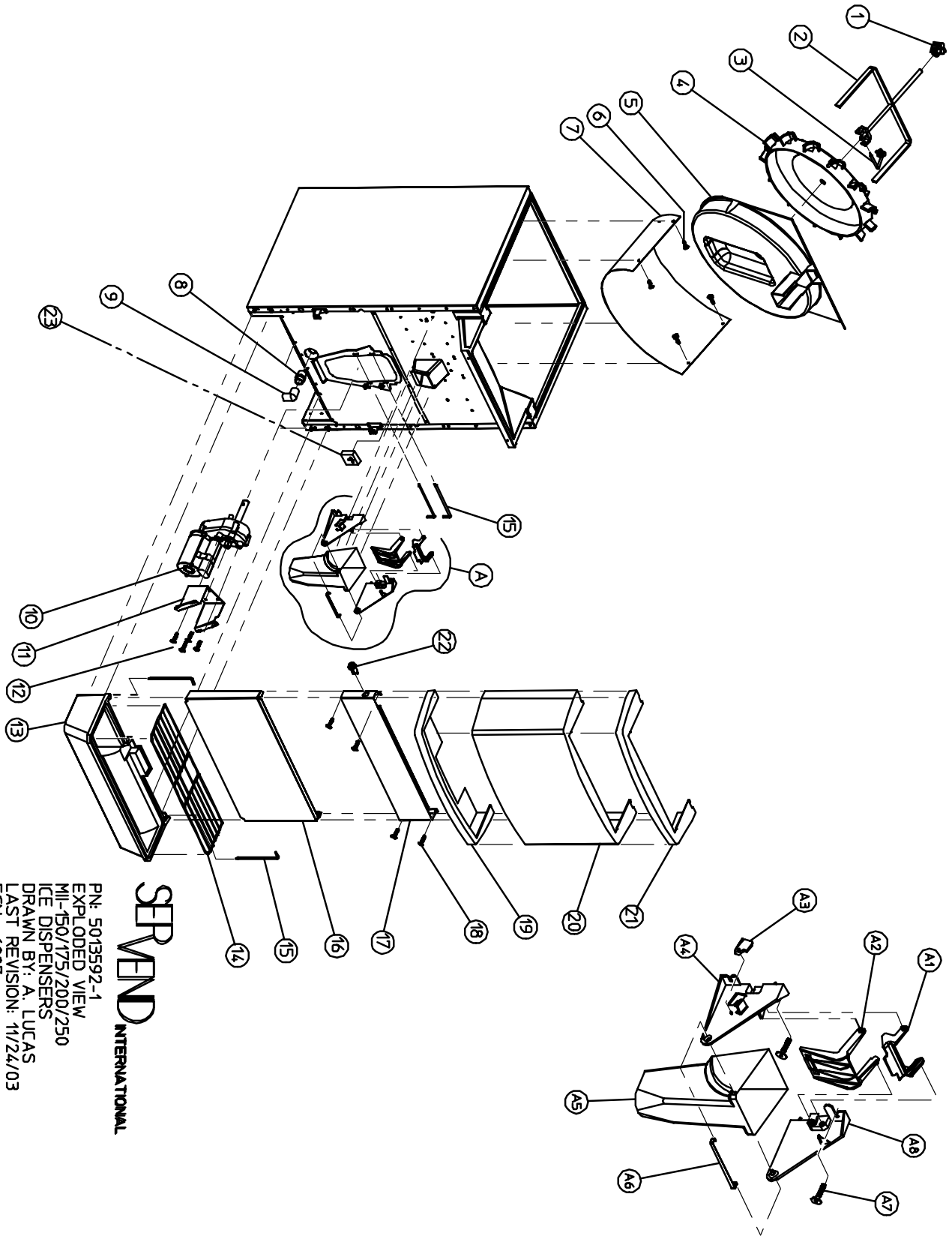


TABLE OF CONTENTS

| | |
|---|----------|
| EXPLODED VIEWS | 3 |
| MII-150, 175, 200, & 250 | 3 |
| MII-150 PARTS LIST | 4 |
| MII-175 PARTS LIST | 4 |
| MII-200/250 PARTS LIST | 5 |
| MII-302 | 6 |
| MII-302 PARTS LIST | 7 |

EXPLODED VIEWS

MII-150, 175, 200, & 250



SERVEND
INTERNATIONAL

PN: 5013592-1
EXPLODED VIEW
MII-150/175/200/250
ICE DISPENSERS
DRAWN BY: A. LUCAS
LAST REVISION: 11/24/03
ECN #6007
PAGE 1 OF 4

MII-150 PARTS LIST

| INDEX NUMBER | PARTS DESCRIPTION | PART NUMBER | INDEX NUMBER | PARTS DESCRIPTION | PART NUMBER |
|--------------|-------------------------------------|-------------|--------------|----------------------------------|-------------|
| 1 | MUSHROOM BUSHING | 0101702 | A | WIDE ROCKING CHUTE ASSEMBLY | 5008476 |
| 2 | U-BAR AGITATOR | 5009529 | A1 | DOOR LOCK | 5002509 |
| 3 | U-BAR AGITATOR PIN | 5010452 | A2 | DOOR | 5002508 |
| 4 | PADDLE WHEEL | 2601415 | A3 | MICROSWITCH | 1000703 |
| 5 | PADDLE WHEEL AREA | 5001051 | A4 | DOOR MOUNT LEFT | 5002507 |
| 6 | SCREW 8-32X1/2" KNURL UNSLT (4X) | 5000711 | A5 | WIDE ROCKING CHUTE | 5002506 |
| 7 | BIN LINER | 5009993 | A6 | BRACKET | 5003963 |
| 8 | DRAIN FITTING 3/4" | 1200121 | A7 | SCREW 8-32X1/2" ZNC PH RD F (4X) | 5000973 |
| 9 | DRAIN ELBOW 3/4" FEMALE | 1200117 | A8 | DOOR MOUNT RIGHT | 5002657 |
| 10 | MOTOR AY-62 | 5000868 | -- | LEVER (OPTIONAL) | 5008351 |
| 11 | MOTOR MOUNT | 5001776 | | | |
| 12 | BOLT 1/4-20X5/8" SS HHCS (4X) | 0900601 | | | |
| 13 | DRAINPAN STD BLACK W/GRID | 5010894 | | | |
| 14 | GRID STD | 5010684 | | | |
| 15 | RETAINING PIN (2X) | 4140023 | | | |
| 16 | SPLASH PANEL STAINLESS STEEL | 5007833 | | | |
| 17 | CAP MERCH SUPPORT | 5010949 | | | |
| | CAP MERCH SUPPORT W/ LEFT WATER | 5011428 | | | |
| | CAP MERCH SUPPORT W/ RIGHT WATER | 5011433 | | | |
| 18 | SCREW 8-32X1/2 ZNC PH RD F (4X) | 5000973 | | | |
| 19 | MERCHANDISER (BLACK) | 5010609 | | | |
| 20 | MEDALLION ICE | 5012000 | | | |
| | MEDALLION QUENCH | 5007046 | | | |
| 21 | MERCHANDISER TOP (BLACK) | NOT USED | | | |
| 22 | KEY SWITCH | 5000220 | | | |
| 23 | TIMER AGITATION 115V NON-ADJUSTABLE | 5008626 | | | |

MII-175 PARTS LIST

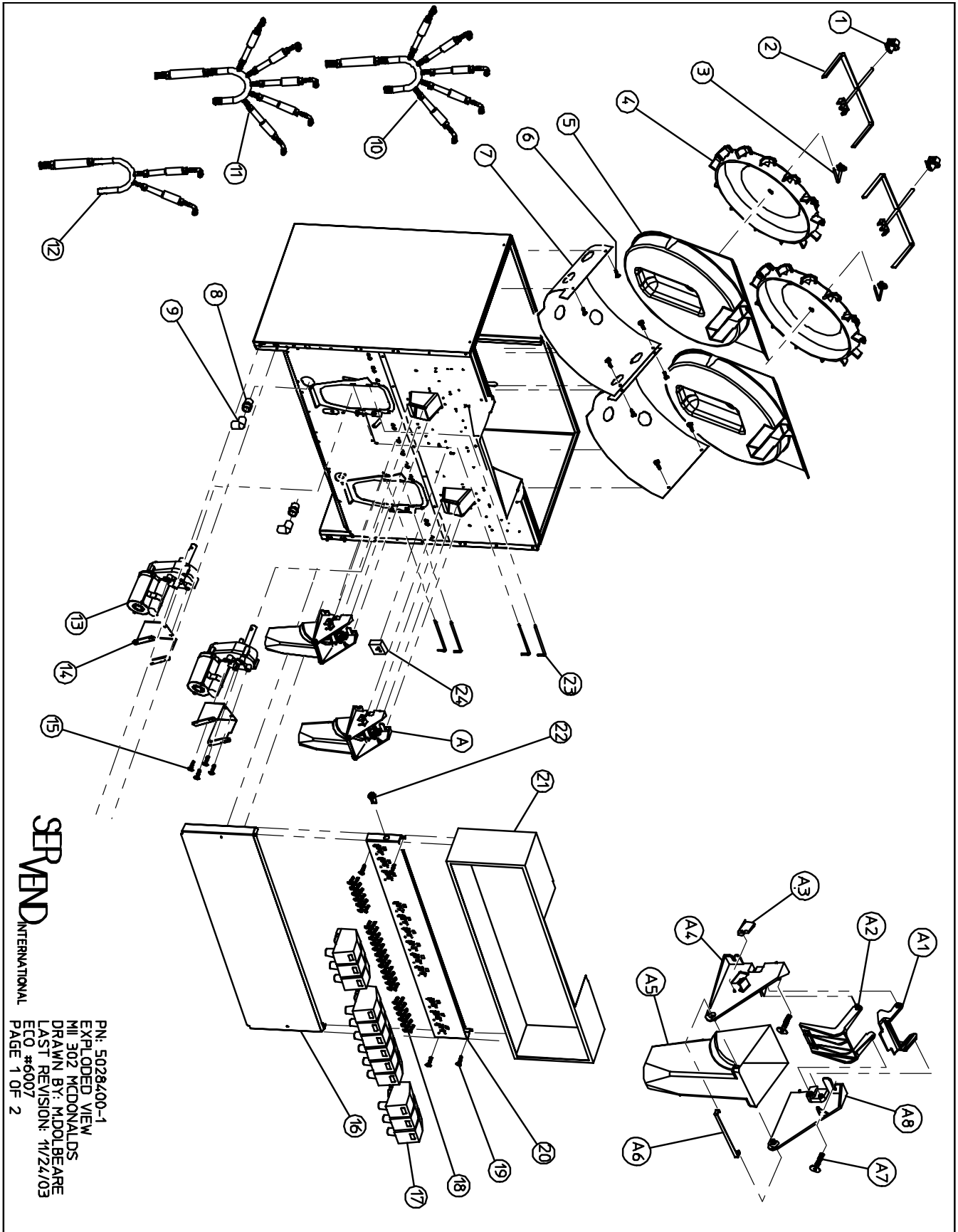
| INDEX NUMBER | PARTS DESCRIPTION | PART NUMBER | INDEX NUMBER | PARTS DESCRIPTION | PART NUMBER |
|--------------|-------------------------------------|-------------|--------------|----------------------------------|-------------|
| 1 | MUSHROOM BUSHING | 0101702 | A | WIDE ROCKING CHUTE ASSEMBLY | 5008476 |
| 2 | U-BAR AGITATOR | 5009529 | A1 | DOOR LOCK | 5002509 |
| 3 | U-BAR AGITATOR PIN | 5010452 | A2 | DOOR | 5002508 |
| 4 | PADDLE WHEEL | 2601415 | A3 | MICROSWITCH | 1000703 |
| 5 | PADDLE WHEEL AREA | 5001051 | A4 | DOOR MOUNT LEFT | 5002507 |
| 6 | SCREW 8-32X1/2" KNURL UNSLT (4X) | 5000711 | A5 | WIDE ROCKING CHUTE | 5002506 |
| 7 | BIN LINER | 5009993 | A6 | BRACKET | 5003963 |
| 8 | DRAIN FITTING 3/4" | 1200121 | A7 | SCREW 8-32X1/2" ZNC PH RD F (4X) | 5000973 |
| 9 | DRAIN ELBOW 3/4" FEMALE | 1200117 | A8 | DOOR MOUNT RIGHT | 5002657 |
| 10 | MOTOR AY-62 | 5000868 | -- | LEVER (OPTIONAL) | 5008351 |
| 11 | MOTOR MOUNT | 5001776 | | | |
| 12 | BOLT 1/4-20X5/8" SS HHCS (4X) | 0900601 | | | |
| 13 | DRAINPAN STD BLACK W/GRID | 5009542 | | | |
| 14 | GRID STD | 5009535 | | | |
| 15 | RETAINING PIN (2X) | 4140023 | | | |
| 16 | SPLASH PANEL STAINLESS STEEL | 5010262 | | | |
| 17 | CAP MERCH SUPPORT | 5010951 | | | |
| | CAP MERCH SUPPORT W/ LEFT WATER | 5011430 | | | |
| | CAP MERCH SUPPORT W/ RIGHT WATER | 5011431 | | | |
| 18 | SCREW 8-32X1/2 ZNC PH RD F (4X) | 5000973 | | | |
| 19 | MERCHANDISER BOTTOM (BLACK) | 5010174 | | | |
| 20 | MEDALLION ICE FORMED | 5012014 | | | |
| | MEDALLION QUENCH FORMED | 5008174 | | | |
| 21 | MERCHANDISER TOP (BLACK) | 5010175 | | | |
| 22 | KEY SWITCH | 5000220 | | | |
| 23 | TIMER AGITATION 115V NON-ADJUSTABLE | 5008626 | | | |

MII-200/250 PARTS LIST

| INDEX NUMBER | PARTS DESCRIPTION | PART NUMBER | INDEX NUMBER | PARTS DESCRIPTION | PART NUMBER |
|--------------|---|-------------|--------------|----------------------------------|-------------|
| 1 | MUSHROOM BUSHING | 0101702 | A | WIDE ROCKING CHUTE ASSEMBLY | 5008476 |
| 2 | U-BAR AGITATOR | 5009529 | A1 | DOOR LOCK | 5002509 |
| 3 | U-BAR AGITATOR PIN | 5010452 | A2 | DOOR | 5002508 |
| 4 | PADDLE WHEEL | 2601415 | A3 | MICROSWITCH | 1000703 |
| 5 | PADDLE WHEEL AREA | 5001052 | A4 | DOOR MOUNT LEFT | 5002507 |
| 6 | SCREW 8-32X1/2" KNURL UNSLT (4X) | 5000711 | A5 | WIDE ROCKING CHUTE | 5002506 |
| 7 | BIN LINER | 7050055 | A6 | BRACKET | 5003963 |
| 8 | DRAIN FITTING 3/4" | 1200121 | A7 | SCREW 8-32X1/2" ZNC PH RD F (4X) | 5000973 |
| 9 | DRAIN ELBOW 3/4" FEMALE | 1200117 | A8 | DOOR MOUNT RIGHT | 5002657 |
| 10 | MOTOR AY-62 | 5000868 | -- | LEVER (OPTIONAL) | 5008351 |
| 11 | MOTOR MOUNT | 5001776 | | | |
| 12 | BOLT 1/4-20X5/8" SS HHCS (4X) | 0900601 | | | |
| 13 | DRAINPAN STD BLACK W/GRID | 5010660 | | | |
| 14 | GRID STD | 5010017 | | | |
| 15 | RETAINING PIN (2X) | 4140023 | | | |
| 16 | SPLASH PANEL STAINLESS STEEL | 5007823 | | | |
| 17 | CAP MERCH SUPPORT | 5010952 | | | |
| | CAP MERCH SUPPORT W/ LEFT WATER | 5011432 | | | |
| | CAP MERCH SUPPORT W/ RIGHT WATER | 5011433 | | | |
| 18 | CAP MERCH SUPPORT W/ LEFT & RIGHT WATER | 5011958 | | | |
| 19 | SCREW 8-32X1/2 ZNC PH RD F (4X) | 5000973 | | | |
| | MERCHANDISER (BLACK) - 200 | 5010586 | | | |
| 20 | MERCHANDISER (BLACK) - 250 | 5008396 | | | |
| | MEDALLION ICE - 200 | 5012002 | | | |
| | MEDALLION QUENCH - 200 | 5007045 | | | |
| | MEDALLION ICE - 250 | 5012003 | | | |
| | MEDALLION QUENCH - 250 | 5007051 | | | |
| 21 | MERCHANDISER TOP (BLACK) | NOT USED | | | |
| 22 | KEY SWITCH | 5000220 | | | |
| 23 | TIMER AGITATION 115V NON-ADJUSTABLE | 5008626 | | | |

FOR CUSTOMIZED OPTIONS, SUCH AS GRAPHICS,
 PLEASE CONTACT THE LOCAL SALES REPRESENTATIVE

MII-302



SERVEND
INTERNATIONAL

PN: 5028400-1
EXPLODED VIEW
MII 302 McDONALDS
DRAWN BY: M.DOLBEARE
LAST REVISION: 11/24/03
ECO #6007
PAGE 1 OF 2

MII-302 PARTS LIST

| INDEX NUMBER | PARTS DESCRIPTION | PART NUMBER | INDEX NUMBER | PARTS DESCRIPTION | PART NUMBER |
|--------------|--------------------------------------|-------------|--------------|----------------------------------|-------------|
| 1 | MUSHROOM BUSHING (2X) | 0101702 | A | WIDE ROCKING CHUTE ASSEMBLY | 5003622 |
| 2 | U-BAR AGITATOR (2X) | 5009529 | A1 | DOOR LOCK | 5002509 |
| 3 | U-BAR AGITATOR PIN (2X) | 5010452 | A2 | DOOR | 5002508 |
| 4 | PADDLE WHEEL (2X) | 2601415 | A3 | MICROSWITCH | 1000703 |
| 5 | PADDLE WHEEL AREA (2X) | 5001051 | A4 | DOOR MOUNT LEFT | 5002507 |
| 6 | SCREW 8-32X1/2" KNURL UNSLT (4X PER) | 5000711 | A5 | WIDE ROCKING CHUTE | 5002506 |
| 7 | BIN LINER (LEFT) | 4220005 | A6 | BRACKET | 5003963 |
| 7 | BIN LINER (RIGHT) | 5010624 | A7 | SCREW 8-32X1/2" ZNC PH RD F (4X) | 5000973 |
| 8 | DRAIN FITTING 3/4" (2X) | 1200121 | A8 | DOOR MOUNT RIGHT | 5002657 |
| 9 | DRAIN ELBOW 3/4" FEMALE (2X) | 1200117 | -- | LEVER (OPTIONAL) | 5002510 |
| 10 | MANIFOLD # 1,5,6,7,8 | 5028202 | | | |
| 11 | MANIFOLD #2,3,4,10,11 | 5028203 | | | |
| 12 | MANIFOLD #9,12 | 5028204 | | | |
| 13 | MOTOR AY-62 (2X) | 5000868 | | | |
| 14 | MOTOR MOUNT (2X) | 5001776 | | | |
| 15 | BOLT 1/4-20X5/8" SS HHCS (4X PER) | 0900601 | | | |
| 16 | SPLASH PANEL | 5011833 | | | |
| 17 | VALVES | SEE BOM | | | |
| 18 | SCREW 10-32X1/4 RHMS (4X PER) | 0900925 | | | |
| 19 | SCREW 8-32X1/2 ZNC PH RD | 5000973 | | | |
| 20 | VALVE MOUNT CAP 12VALVE | 5014099 | | | |
| 21 | MERCHANDISER SS W/LID TRAYS | 5028235 | | | |
| 22 | KEY SWITCH | 5000220 | | | |
| 23 | RETAINING PIN | 4140023 | | | |
| 24 | TIMER AGITATION 115V NON-ADJUSTABLE | 5008626 | | | |





Maniowoc Beverage Equipment

2100 Future Drive Sellersburg, IN 47172-1868
Tel: 812.246.7000, 800.367.4233 • Fax: 812.246.9922
www.maniowocbeverage.com

In accordance with our policy of continuous product development and improvement, this information is subject to change at any time without notice.

Revision February 23, 2004