

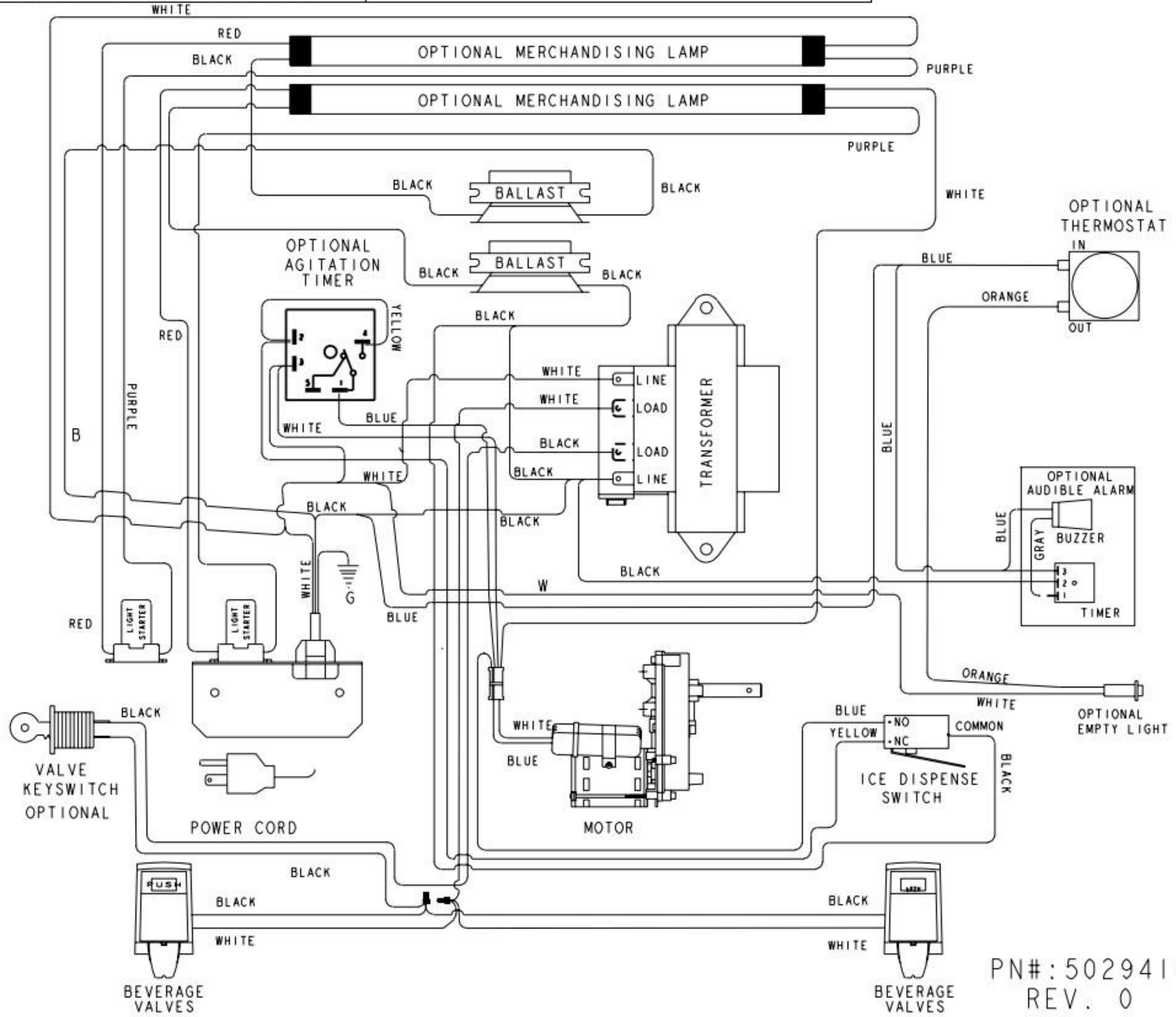
CAUTION

ELECTRICAL SHOCK HAZARD
DISCONNECT POWER
BEFORE SERVICING

TO RESET TRANSFORMER: (115 VOLT UNITS ONLY)

1. DISCONNECT POWER SUPPLY.
2. PRESS RESET BREAKER SWITCH ON TRANSFORMER.
3. REPLACE MERCHANDISER (FRONT ENCLOSURE).
4. RECONNECT POWER SUPPLY.

115 VOLT



PN#: 5029414
REV. 0

