

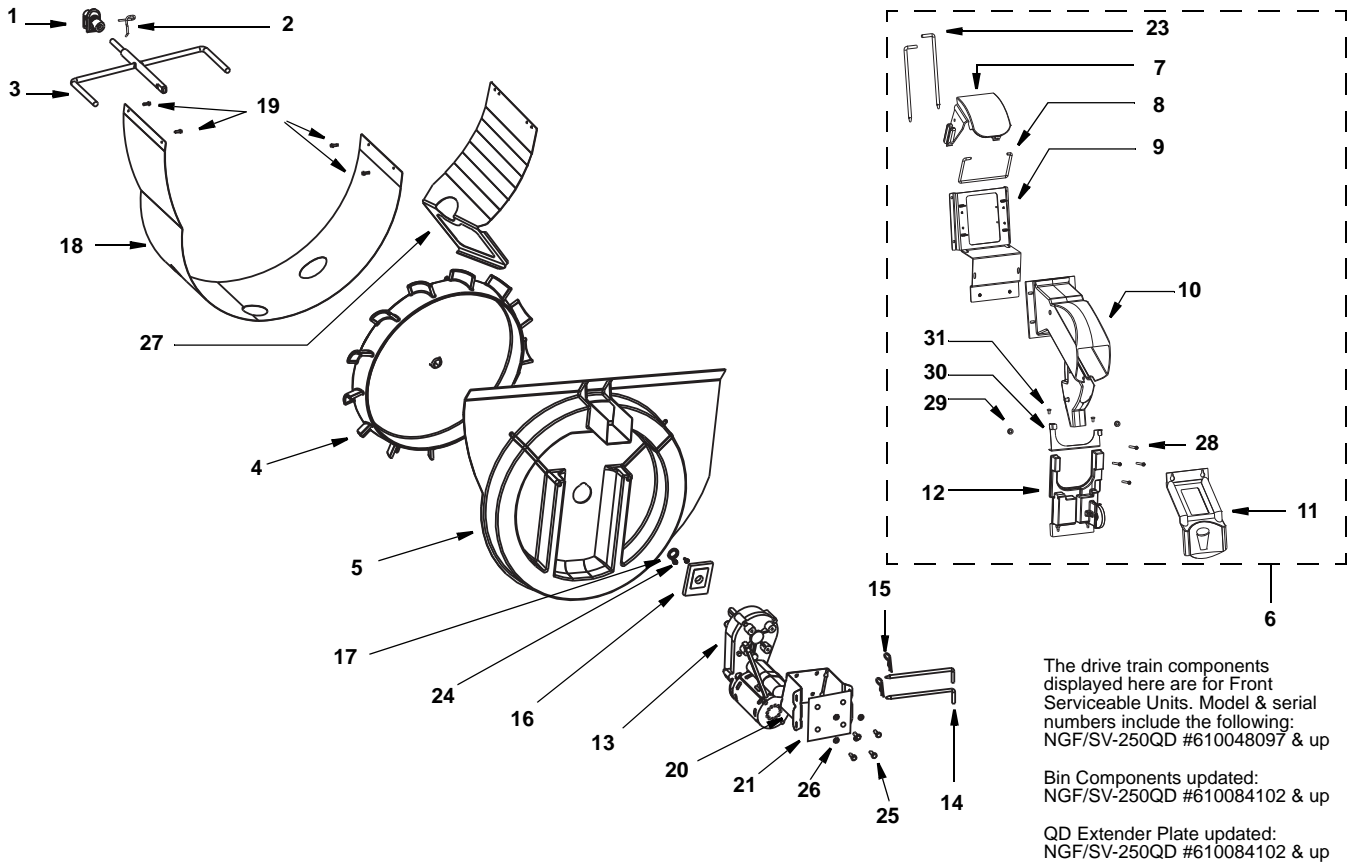


quickdraw Series Ice & Beverage Dispenser Parts List for Models

NGF-250 QD

SV-250 QD

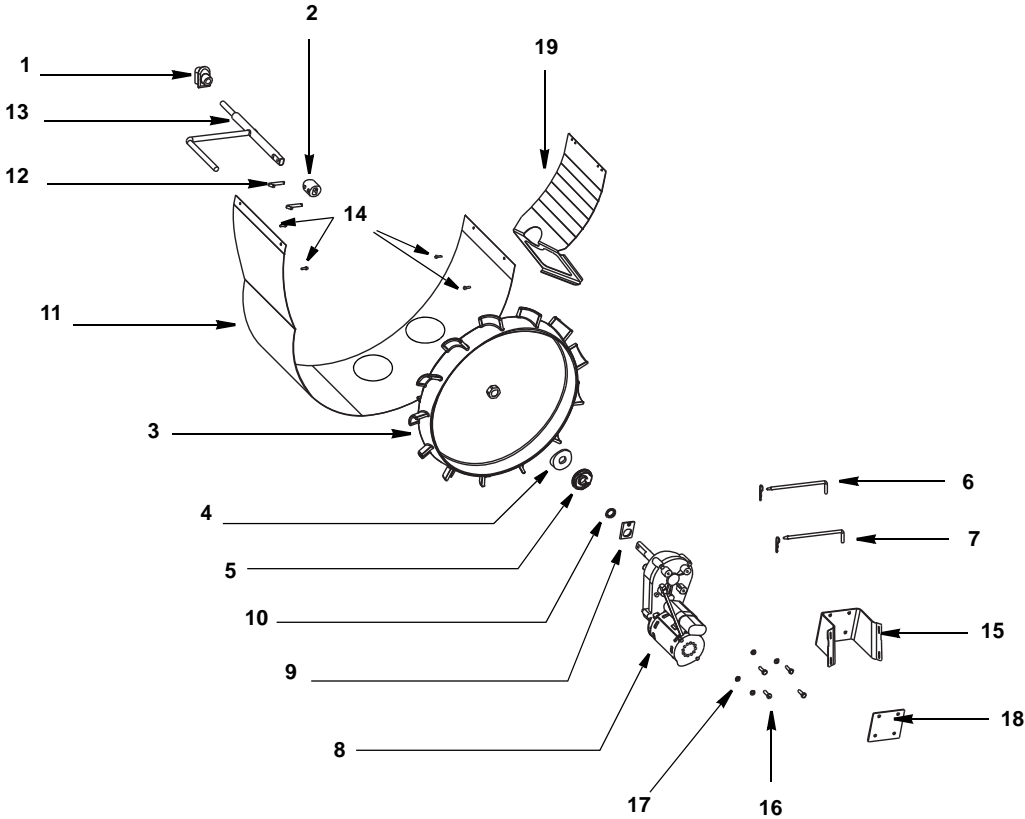
NGF/SV-250 QD BIN, DRIVE TRAIN, & ICE CHUTE



DESCRIPTION

DESCRIPTION	PART NO.
1 Injection Molded Mushroom Bushing	020001418
2 Clip Hitch Pin	020002668
3 Agitator	020001568
4 Paddle Wheel Plastic Double D	020001423
5 Paddle Wheel Area	5027733
6 Dispense Mechanism Complete Assembly	020003256
7 QD Door	5029777
8 QD Door Hinge	5029775
9 QD Extender Plate	020002937
10 QD Chamber	020003235
11 QD Cup Locator	5029776
12 Sensor Body Assembly	020003458
13 Motor 115V Front Serviceable	020003596
14 Retaining Pin	5030743
15 Clip Hitch Pin	5012374
16 Gasket (9.75) Retainer Seal	5000725
17 Seal Motor Shaft	5012913
18 Bin Liner	5027740
Miscellaneous - Brackets, Screw, etc.	
19 Screw 8-32 X 1/2" Knurl Un-slotted	5000711
20 Motor Mount Bracket	5030613
21 Motor Mount Plate	5030654
22 Bracket Ret Microswitch Splh Gd	5030228
23 Retaining Pin	4140023
24 Screw #8-32 X 3/8 Lg Sltd Hex	00850430
25 Bolt 1/4-20 x 5/8" SS Hhcs	00850917
26 Washer Lock 1/4in SS	0901904
27 Bin Liner Support	5030704
28 Screw 8-32 X 1 1/4" PH PS	020002262
29 Washer Grommet	020002927
30 Sensor Board Holder Bracket	020002928
31 Screw #8-32 X 1/4" SS Ph RHMS	0900911

NGF/SV-250 QD NON-FRONT SERVICEABLE DRIVE TRAIN

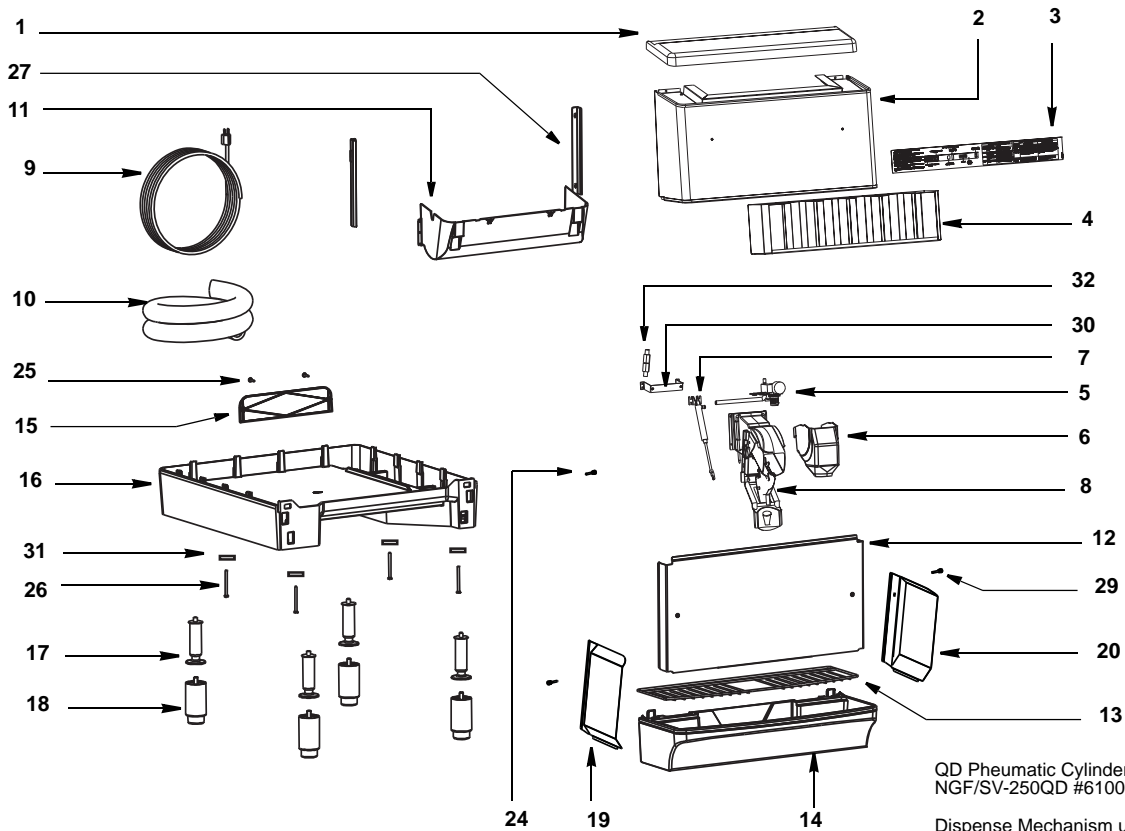


The drive train components displayed here are for Non-Front Serviceable Units. Model & serial numbers include the following:
 NGF/SV-250QD prior to #610048097

DESCRIPTION

DESCRIPTION	PART NO.
1 Bushing Mushroom Inj Mld.	0101702
2 Coupling Double D.	5028475
3 Paddle Wheel Plastic Dbl D.	5012544
4 Spacer.	5030785
5 Bushing Paddle Wheel Area.	5029846
6 Clip Hitch Pin.	5012374
7 Pin Retaining.	5030743
8 Motor 115v Dbl D Shaft.	5030517
9 Retainer Oil Seal - Kit.	5001819
10 Seal Motor Shaft.	N/A
11 Bin Liner.	020001630
12 Pin 1/4" X 90 Deg Retaining.	5028693
13 Single Arm Agitator.	020001639
Miscellaneous - Brackets, Screw, etc.	
14 Screw 8-32 X 1/2" Knurl Unslot.	5000711
15 Mount Motor.	5030613
16 Screw 1/4-20 X 7/8" Hex Hd.	00850917
17 1/4 Lock Washer.	0901904
18 Mount Motor Plate.	5030654
19 Bin Liner Support.	020001638

NGF/SV-250 QD MERCHANDISER, CAPS, LID, SPLASH PANELS, & BASE



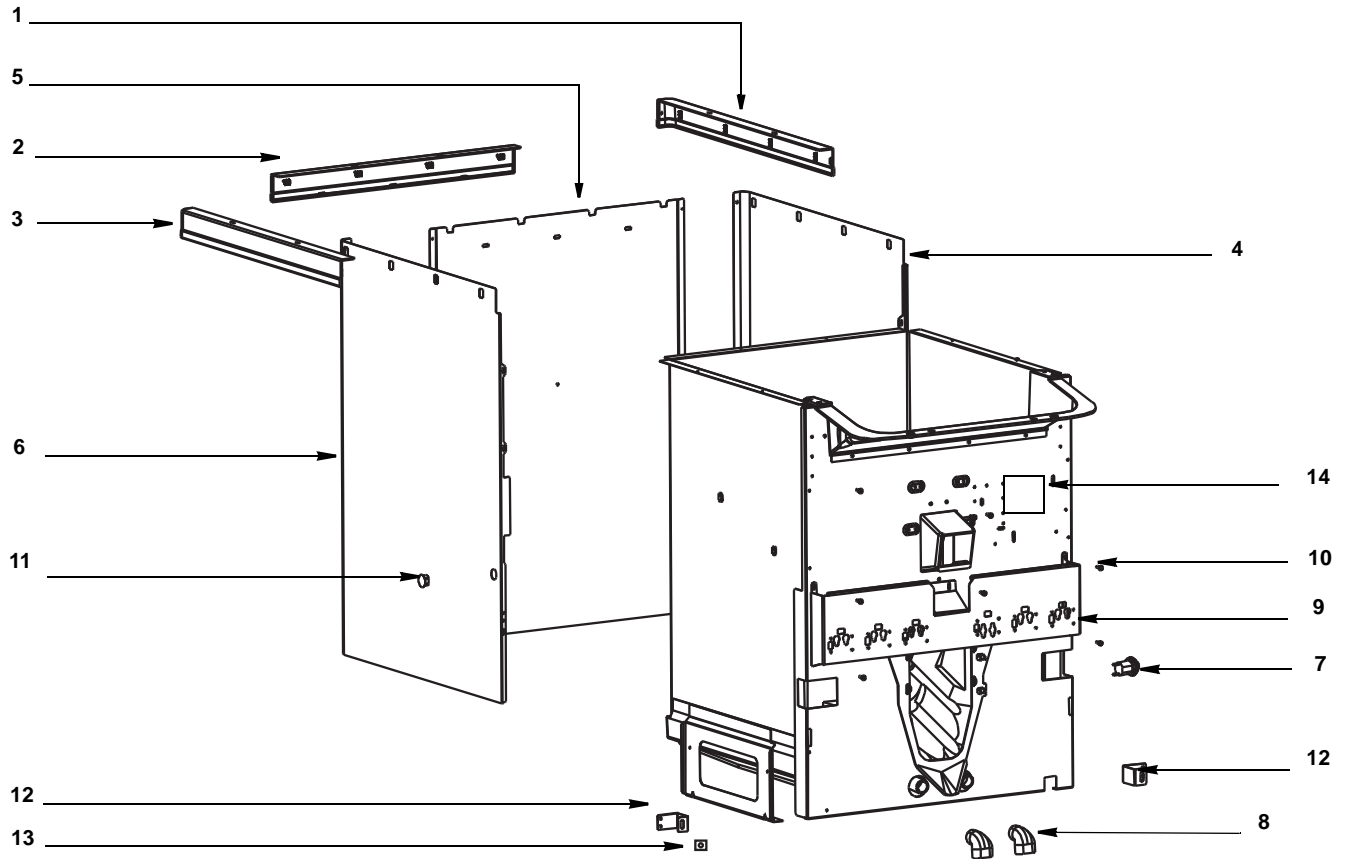
QD Pneumatic Cylinder updated:
NGF/SV-250QD #610084102 & up

Dispense Mechanism updated:
NGF/SV-250QD #610084102 & up

DESCRIPTION

DESCRIPTION	PART NO.
1 Merchiser Lid	5030975
2 Merchiser SS Round	5031175
3 QD Merchiser Instruction Label	5031688
4 Lid Tray	5030984
5 CO ₂ Valve	5029726
6 Chute Cover	020001920
7 QD Pneumatic Cylinder	020002967
8 Dispense Mechanism Assembly (see also page 2)	020003256
9 Cord Electric (Agit Mtr)	5008642
10 Drain Kit	2602528
11 Manual Fill Area Lower	5029732
12 Splash Panel	020001652
13 Autofull Grid	5029774
14 Drainpan w/Gasket	020000900
15 Plate Base Rear Cover	020000408
16 Base	020000399
17 Leg 3/8 - 16 X 4	5013595
18 Leg 2" Dia X 4-6" W/ 3/8-16 Stud	020000398
19 Splash Guard Left	020001823
20 Splash Guard Right	020001824
Miscellaneous - Brackets, Screw, Etc.	
21 Screw 8-32 X 7/8" Slit Knurl Black	5007698
22 Bracket Lt Socket	7050046
23 8-32 X 1/2 Flat Head Screw	0900504
24 8-32 X 1/2 Flat Head Screw	5012944
25 Screw #8x3/4" Ph Tr Hd A Blk	5007697
26 12 X 2 1/2 Pan Head Screw	5027731
27 Medalion Support Bracket	5030890
28 Valve Cap Support Bracket	020001071
29 Screw 8-32 X 3/4" Knurled SS (MC#99607A139)	020001946
30 Welded Support Bracket	020003255
31 Washer, Flat - .375 X .875 X .063"	00850353
32 Double Check Valve - 3/8 Barb	19-0979

NGF/SV-250 QD PANELS & TRIM



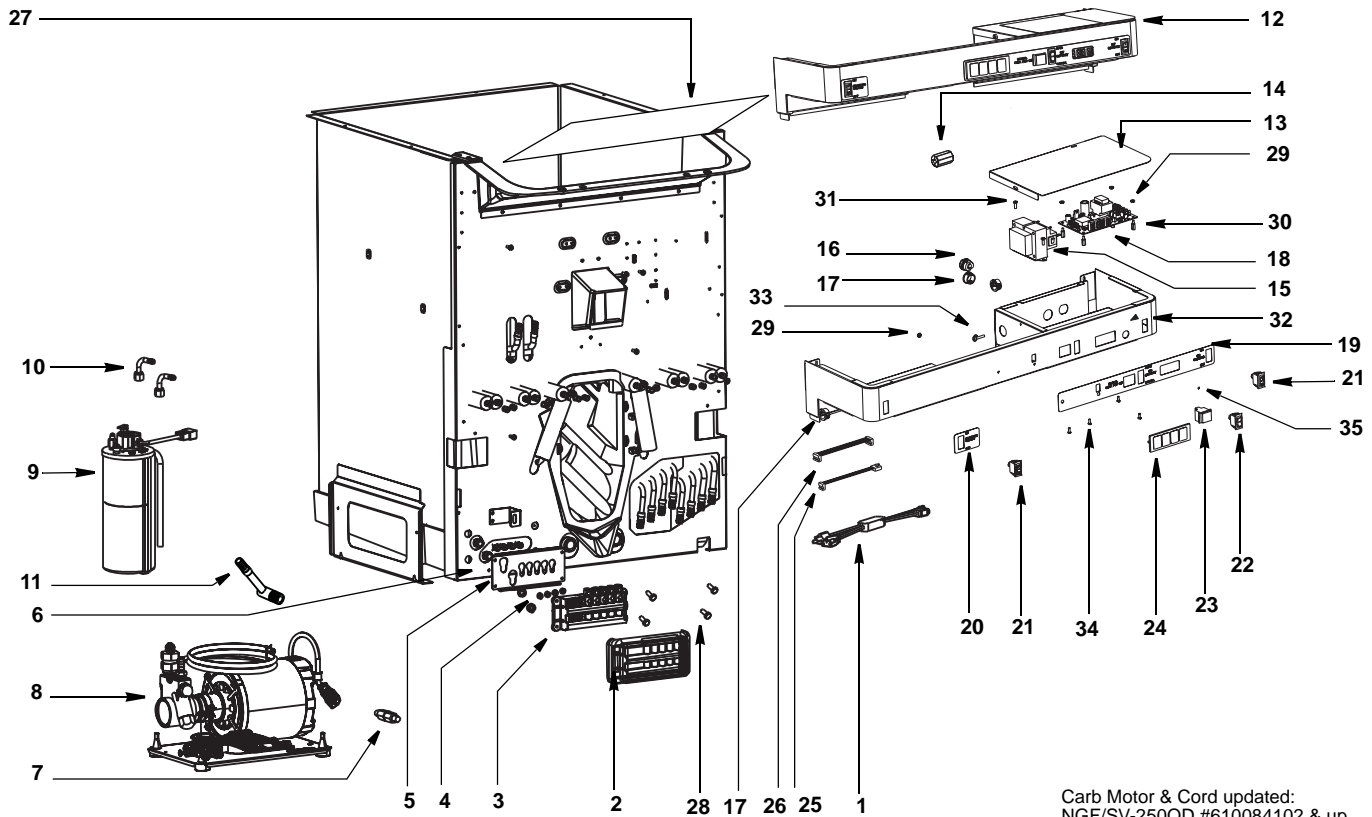
DESCRIPTION

DESCRIPTION	PART NO.
1 Trim Cosmetic Top Right (Black)	5011890
2 Trim Cosmetic Top Back (Black)	5012150
3 Trim Cosmetic Top Left Black)	5011889
4 Panel Side Right (Blank)	020001455
5 Panel Rear (No Trim)	020000503
6 Panel Side Left (Blank)	020001456
7 Key Switch	5000220
8 Elbow 90 Degree Rubber	5010337
9 Valve Mount Cap - 8 Valves	020001595

Miscellaneous - Brackets, Screw, Etc.

10 Screw 8-32 X 1/2	5011940
11 Heyco Plug	1200303
12 Clip Mount Splash Panel	020001629
13 Clip Tinn C191728Z4	0900240
14 QD Warning Label	5030680

NGF/SV-250 QD CARBONATORS AND OTHER ELECTRICAL

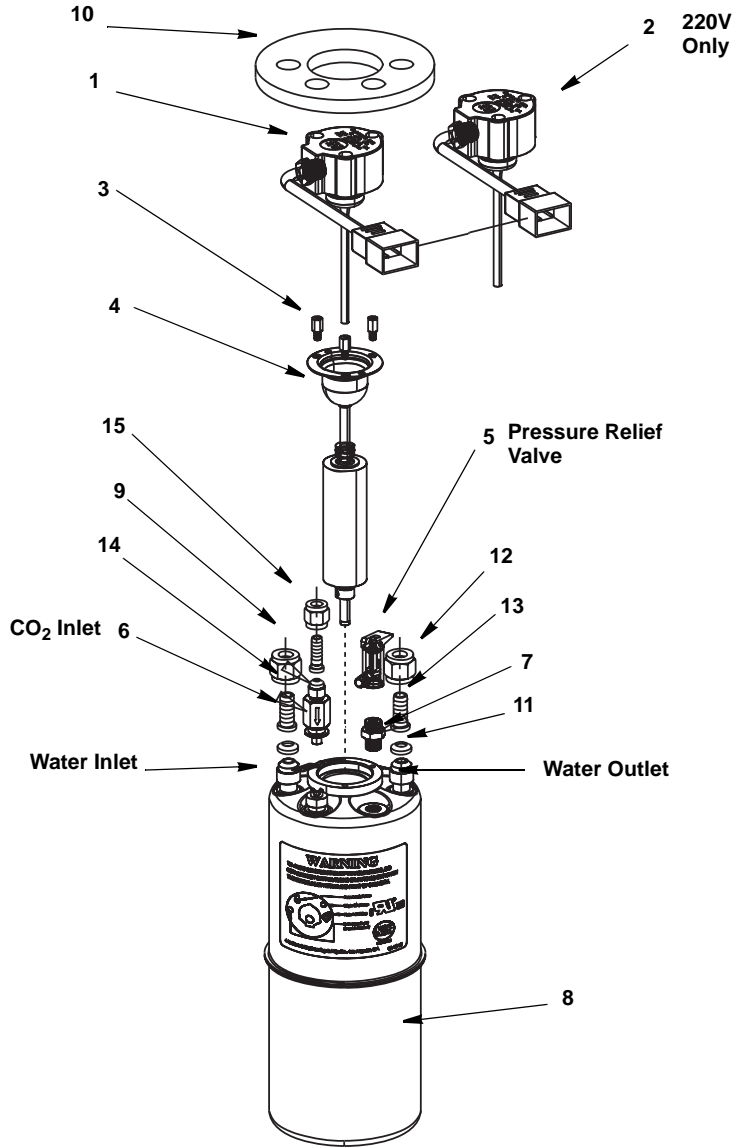


Carb Motor & Cord updated:
NGF/SV-250QD #610084102 & up

DESCRIPTION

DESCRIPTION	PART NO.
1 Power Cord	15-3019
2 Manifold Insulation	5010332
3 5 Port Flex Manifold Kit	020001256
4 O10 O-ring .239 lo X .070 W	5009080
5 110 O-ring .364 lo X .103 W	5009763
6 Manifold Retaining Plate	020000814
7 Double Check Valve 3/8HB X 3/8HB	19-0979
8 115V Pump Deck VB Vented Back Flow	15-3120
9 Vertical Carb Tank Assembly - 115V (See Also Page 7)	5031860
10 3/8 Barb SW/elbow Fitting	5010781
11 Carbonator Outlet Tube	020000740
12 QD Electric (Complete Assembly)	020001653
13 QD Mounting Lid	5031085
14 Snap-on Ferrite Suppressor	020002102
15 Transformer 75VA 120V with Breaker	5008229
16 Heyco Cord Strain Relief	1200301
17 Snap Bushing 7/8"	1200307
18 QD Micro Control Board	5029296
19 Electrical Box Graphics - Right	5031687
20 Electrical Box Graphics - Left	5031686
21 Switch - SPST 16A 3/4HP	2002893
22 SW Rocker	5030916
23 QD PB Green Button	5029727
24 QD 4 Size Key Pad	5029215
25 Control Board Harness	020003459
26 Key Pad Harness	5029499
27 Manual Fill Insulation	020001062
Miscellaneous - Brackets, Screw, Etc.	
28 Screw 8-32 X 5/8" T410 Tri Lobe SS HH	020000992
29 Nut 6-32 Hex SS	0902101
30 Circuit Board Standoff	5012832
31 Screw 8-32 x 1/2"	5011940
32 Electric Bracket (Welded)	020001655
33 Screw 8-32 X 7/8" Knurl with SLT	5008033
34 Screw 6-32 X 3/8" SS PH RHMS	0900904
35 Plug Button 1/4 Dia Hole	00805817

MCCANN'S VERTICAL CARB TANK



43-1600-10
43-1602

DESCRIPTION

1 Assembly Probe 115V	
a. Probe Spare Parts Kit	16-1404
b. Driving Solenoid 115V Electrical, Black Cap	16-2115-41
2 Assembly Probe 220V	
a. Probe Spare Parts Kit	16-1406
b. Driving Solenoid 220V Electrical, Black Cap	16-2220-41
3 Probe Stud	09-1877
4 Probe Float Ring Assembly - 115v/220V	15-1951
5 Pressure Relief Valve - 125 psi with Barb	19-0898
6 Carbonator Single Check Valve - 1/4 Male Flare	00-0868
7 Fitting - .125 NPT X PRV, S.S. Adapter	19-0934
8 Carbonator Assembly - 10" Weld	15-3162
9 Fitting, 1/4 In. Swivel Hose Barb	1701109
10 Domed Carb Insulation	10-2005
Miscellaneous - Brackets, Screw, Etc.	
11 Washer, 3/8" Nylon White	1701115
12 Nut, 3/8 X 9/16 In. Swivel Fitting	1701110
13 Swivel Fitting, 1/4 In. 3/8" Barb	5009025
14 Washer, 1/in. Nylon White	1701113
15 Nut, 1/4 X 3/8 In. Swivel Fitting	1701108