



S & SVi Series Ice & Beverage Dispenser Parts List for Models

SV-150

SV-150i

SV-175

SV-175i

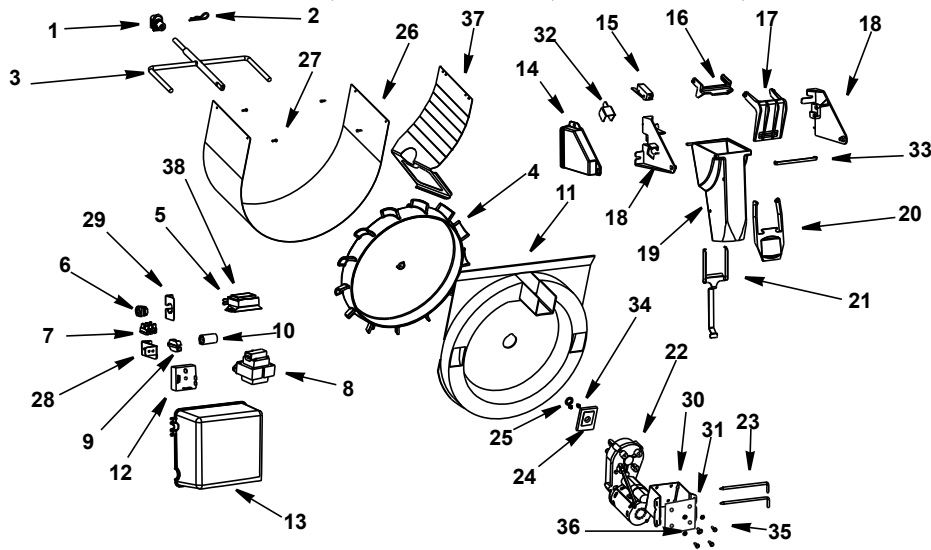
SV-200

SV-200i

SV-250

SV-250i

SV & SVi-150/175/200/250 BIN, DRIVE TRAIN, ICE CHUTE, & ELECTRICAL COMPONENTS



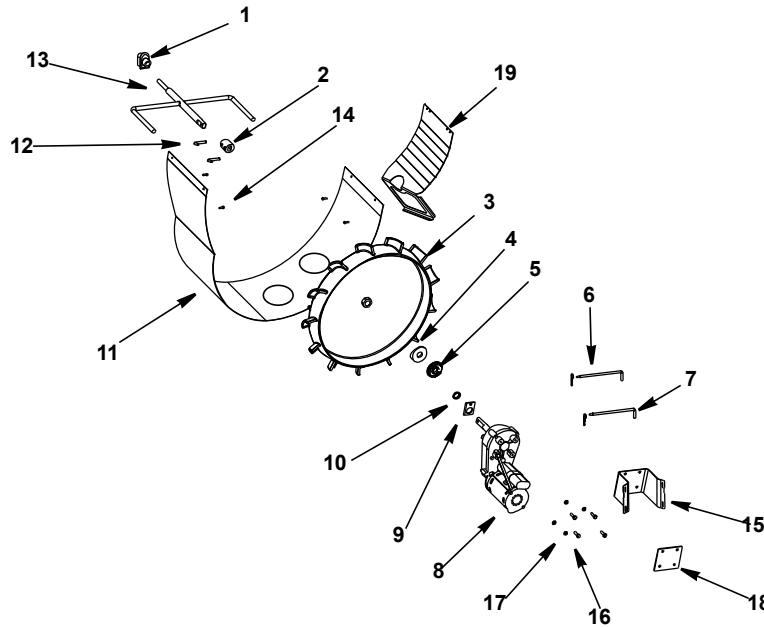
The drive train components displayed here are for Front Serviceable Units. Model & serial numbers include the following:

SV/SVi-150 #610048117 & up
 SV/SVi-175 #610046781 & up
 SV/SVi-200 #610045041 & up
 SV/SVi-250 #610048097 & up

DESCRIPTION

1	Mushroom Bushing Injection Molded.....	020001418
2	Clip Hitch Pin.....	020002668
3	Agitator.....	020001568
4	Paddle Wheel Plastic Dbl D.....	020001423
5	Ballast	
	a. 115V/60Hz.....	5008644
	b. 220V/50Hz.....	5000348
	c. 220V/60Hz.....	5000349
	d. 240V/50Hz.....	5000350
	e. 240V/60Hz.....	5000351
	f. 230V/50Hz (SV150/175/250 CE).....	5013434
6	Cord Strain Relief	
	a. Standard.....	1200301
	b. European.....	5000836
7	Terminal Block - European Only.....	5000837
8	Transformer - 75VA 115V.....	5008229
9	Starter Base	
	a. Standard.....	020002168
	b. European.....	5013279
10	Starter Lev FS2	
	a. Standard.....	1001005
	b. European.....	5013279
11	Paddle Wheel Area	
	a. SV/SVi -150.....	5031701
	b. SV/SVi -175.....	5029848
	c. SV/SVi -200/250.....	5027733
12	Non-adjustable Agitation Timer - 115V/230V.....	020000222
13	Electrical Box Cover.....	5028992
14	Microswitch Guard With Gasket.....	5030364
15	Microswitch.....	1000703
16	Lock Rocking Chute Door.....	5002509
17	Door Rocking Chute.....	5002508
18	Kit RC Brackets 5V-A (Includes The Two New Brackets, Cover, Screw).....	020002673
19	Chute Rc Narrow.....	5004850
20	Lever Rocking Chute Narrow.....	5004851
21	Ice Chute Lever	
	a. Sanitary Lever.....	020000409
	b. Wire.....	020002869
22	Front Serviceable Motor	
	a. 115V Chamfered DBL D.....	020003596
	b. 220V Chamfered DBL D.....	020001517
23	Retaining Pin.....	4140023
24	Gasket (9.75) Retainer Seal.....	5000725
25	Seal Motor Shaft.....	5012913
26	Bin Liner	
	a. SV/SVi -150/175.....	5031415
	b. SV/SVi -200/250.....	5030905
Miscellaneous - Brackets, Screw, etc.		
27	Screw 8-32 X 1/2" Knurl Unslotted.....	5000711
28	Starter Base Bracket	
	a. SV/SVi -150/175/200/250.....	5030304
	b. SV/SVi -200/250 Marine Unit.....	020001974
29	Bracket Strain Relief	
	a. SV/SVi -150/175/200/250.....	5028998
	b. SV/SVi -200/250 Marine Unit.....	020001969
30	Mount Motor	
	a. SV/SVi -150/175/200.....	5030951
	b. SV/SVi -250.....	5030613
31	Mount Motor Plate (S-250 Only).....	5030654
32	Bracket Ret Microswch Splh Gd.....	5030228
33	Bracket Rocking Chute Outer.....	5031384
34	Screw #8-32 X 3/8 Lg Sltd Hex.....	00850430
35	Bolt 1/4-20x5/8" SS Hhcs.....	0900601
36	Washer Lock 1/4in Ss.....	0901904
37	Bin Liner Support (S-250 Only).....	5030704
38	Ballast Bracket.....	020002256

SV & SVi-150/175/200/250 NON-FRONT SERVICEABLE DRIVE TRAIN



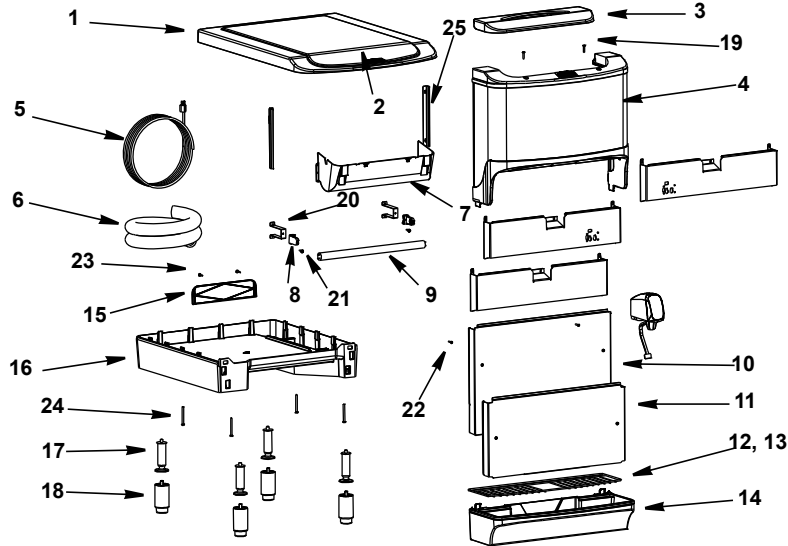
The drive train components displayed here are for Non-Front Serviceable Units. Model & serial numbers include the following:

SV/SVi-150 prior to #610048117
 SV/SVi-175 prior to #610046781
 SV/SVi-200 prior to #610045041
 SV/SVi-250 prior to #610048097

DESCRIPTION

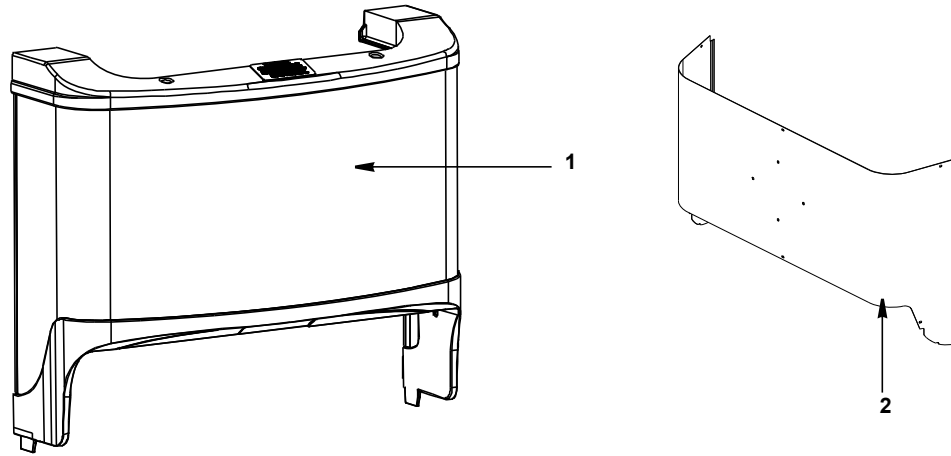
	PART NO.
1 Bushing Mushroom Injection Molded	0101702
2 Coupling Double D	5028475
3 Paddle Wheel Plastic Dbl D	5012544
4 Spacer	5030785
5 Bushing Paddle Wheel Area	5029846
6 Clip Hitch Pin	5012374
7 Pin Retaining	5030743
8 Motor 115V Double D Shaft	5030517
9 Retainer Oil Seal - Kit	5001819
10 Seal Motor Shaft	N/A
11 Bin Liner	
a. SV/SVi-150/175	5028147
b. SV/SVi-200/250	5027740
12 Pin 1/4" X 90 Deg Retaining	5028693
a. SS Split Ring	5028715
13 Agitator	5028476
Miscellaneous - Brackets, Screw, etc.	
14 Screw 8-32 X 1/2" Knurl Unslotted	5000711
15 Mount Motor	
a. SV/SVi-150/175/200	5030951
b. SV/SVi-250	5030613
16 Screw 1/4-20 X 7/8" Hex Hd	00850917
17 1/4 Lock Washer	0901904
18 Mount Motor Plate (SV/SVi-250 Only)	5030654
19 Bin Liner Support (SV/SVi-250 Only)	5030704

SV & SVi-150/175/200/250 MERCHANDISER, CAPS, LID, SPLASH PANELS, & BASE



DESCRIPTION	PART NO.
1 Lid	
a. SV/SVi-150	5012177
b. SV/SVi-175	5012178
c. SV/SVi-200/250	5012179
2 Sticker "danger Tag"	0301249
3 Manual Fill Ice Lid (Black)	5012116
4 Merchandiser (Frame Top & Bottom, No Medallion)	
a. SV/SVi-150	5012117
b. SV/SVi-150 CE	020002221
c. SV/SVi-175	020000713
d. SV/SVi-175 CE	020002081
e. SV/SVi-200	020000714
f. SV/SVi-250	020000714
g. SV/SVi-250 CE	020002208
5 Cord Electric (Agit Mtr)	5008642
6 Drain Kit	
a. Regular Splash Panel	2602528
b. Extended Splash Panel	5031376
7 Manual Fill Area Lower	5029732
8 Socket End Light	
a. Standard	1001001
b. European	5013617
9 Fluorescent Tube	
a. SV/SVi-150/175 (18")	1000309
b. SV/SVi-200/250 (24")	5012827
10 Panel Splash Ext	
a. SV/SVi-150	5012959
b. SV/SVi-175	5012956
c. SV/SVi-200/250	5013288
11 Panel Splash	
a. SV/SVi-150	5031700
b. SV/SVi-175	5029538
c. SV/SVi-200/250	5012473
12 Grid	
a. SV/SVi-150	5012249
b. SV/SVi-175	5011881
c. SV/SVi-200/250	5012250
13 Reduced Spacing Grid	
a. SV/SVi-150	020002236
b. SV/SVi-175	020001795
c. SV/SVi-200/250	020001796
14 Drain Pan	
a. SV/SVi-150 (23") w/ Gasket	020000156
b. SV/SVi-175 (25") w/ Gasket	5029814
c. SV/SVi-200/250 (30") w/ Gasket	020003697
15 Plate Base Rear Cover	020000408
16 Base	
a. SV/SVi-150	020000185
b. SV/SVi-175	020000739
c. SV/SVi-200/250	020000399
17 Leg 3/8 - 16 X 4	5013595
18 Leg 2" Dia X 4-6" W/ 3/8-16 Stud	020000398
Miscellaneous - Brackets, Screw, Etc.	
19 Screw 8-32 X 7/8" Slit Knurl Black	5007698
20 Bracket Lt Socket	
a. Standard	7050046
b. SV/SVi-150/175 CE	020001447
c. SV/SVi-250 CE	020002220
21 8-32 X 1/2 Flat Head Screw	0900504
22 8-32 X 1/2 Flat Head Screw	5012944
23 Screw #8x3/4" Ph Tr Hd A Blk	5007697
24 12 X 2 1/2 Pan Head Screw	5027731
25 Medallion Support Bracket	5030890

SV & SVi-150/175/200/250 MEDALLIONS

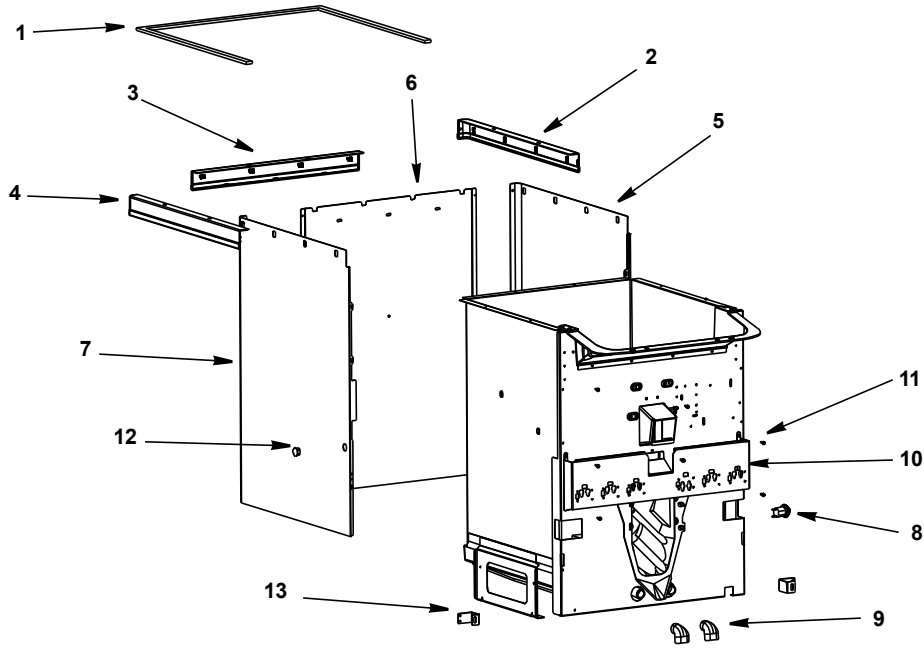


DESCRIPTION

PART NO.

1 Merchiser Medallions		
- SV/SVi-150		
a. Pepsi		020000149
b. Coke		020000155
c. Quench		020000152
d. Ice		020000397
- SV/SVi-175		
a. Pepsi		5031081
b. Coke		5031543
c. Quench		5031082
d. Ice		5031083
- SV/SVi-200		
a. Pepsi		5030839
b. Coke		5030823
c. Quench		5030838
d. Ice		5030791
e. Clear		020000358
- SV/SVi-250		
a. Pepsi		5030859
b. Coke		5030855
c. Quench		5030860
d. Ice		5030790
e. Clear		020000369
2 SV/SVi-150 SS Medallion for Pepsi		020003757
3 SV-250 Pepsi Elevate Kit		020009419

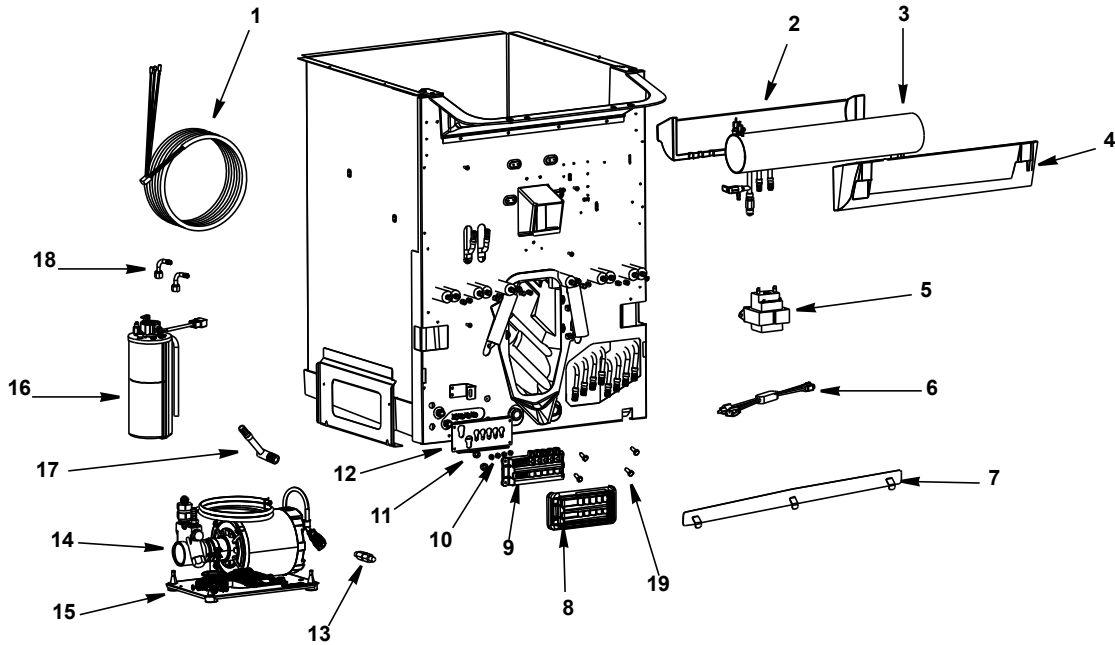
SV & SVi-150/175/200/250 PANELS & TRIM



DESCRIPTION

	PART NO.
1 Gasket (Rectangular Profile)	
a. SV/SVi-150/175	5007756 150
b. SV/SVi-175/200/250	5007756
2 Trim Cosmetic Top Right (Black)	5011890
3 Trim Cosmetic Top Back	
a. SV/SVi-150	5012164
b. SV/SVi-175	5011891
c. SV/SVi-200/250	5012150
4 Trim Cosmetic Top Left (Black)	5011889
5 Panel Side Right	
a. SV/SVi-150	020000950
b. SV/SVi-175	020001536
c. SV/SVi-200	020001536
d. SV/SVi-250	020001455
6 Panel Rear	
a. SV/SVi-150	5012418
b. SV/SVi-175	020001538
c. SV/SVi-200	020001539
d. SV/SVi-250	020000503
7 Panel Side Left	
a. SV/SVi-150	020001543
b. SV/SVi-175	020001535
c. SV/SVi-200	020001535
d. SV/SVi-250	020001456
8 Key Switch	5000220
9 Elbow 90 Degree Rubber	5010337
10 Valve Mount Cap	
a. SV/SVi-150 6 Valves	5031160
b. SV/SVi-150 6 Valves with Variety Valve	020000909
c. SV/SVi-175 8 Valves	5029364
d. SV/SVi-175 8 Valves with Variety Valve	020000911
e. SV/SVi-200/250 8 Valves	020000419
f. SV/SVi-200/250 8 Valves with Variety Valve	5031084
g. SV/SVi-200/250 10 Valves	5029042
Miscellaneous - Brackets, Screw, Etc.	
11 Screw 8-32 X 1/2	5011940
12 Heyco Plug	
a. SV/SVi-150/175	1200322
b. SV/SVi-200/250	1200303
13 Clip Splash Panel	
a. SV/SVi-150 (All Voltages)	020001629
b. SV/SVi-175/200/250	5028398

SV & SVi-150/175/200/250 CARBONATORS & OTHER ELECTRICAL

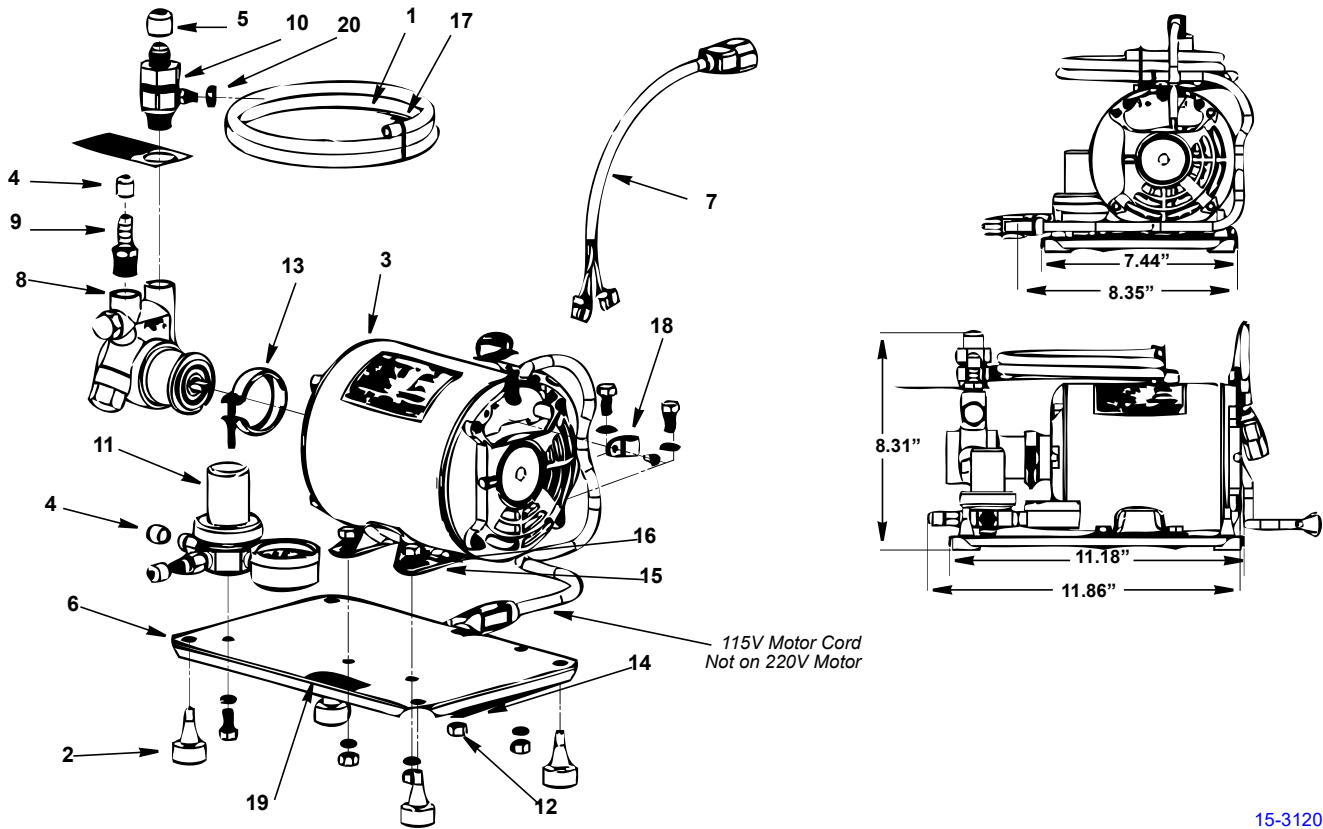


DESCRIPTION

PART NO.

1 Carb Tank Wiring Harness	
a. Standard	5030670
b. SV/SVi-150/175 CE	020002002
2 Rear IC Tank Foam Container SVi-150/175.	020000321
3 Horizontal Carb Tank Assembly SVi-150/175	
a. Carb Tank	5030434
b. CE Version	020002078
4 Front IC Tank Foam Container SVi-150/175	020000322
5 75VA 120V Transformer With Breaker	
a. Standard	5008229
b. SV/SVi-150/175/250 CE	5031013
6 Power Cord SVi-200/250	15-3297
7 Grid Lifter Af With Clips SV/SVi-175	020000634
8 Manifold Insulation	5010332
9 Flex Manifold	
a. 4 Port Kit - SVi150	020001260
b. 5 Port Kit - SVi175, 200, & 250	020001256
10 010 O-ring .239 IO X .070 W	5009080
11 110 O-ring .364 IO X .103 W	5009763
12 Manifold Retaining Plate	020000814
13 Double Check Valve 3/8hb X 3/8hb	19-0979
14 Pump Deck	
a. SV/SVi-200/250 Motor, 115V, 1/3 Hp	15-3120
b. SV/SVi-200/250 Motor, 220V, 1/3 Hp	15-3198
c. SV/SVi-150/175 115V, 1/3 Hp	5029123
d. SV/SVi-150/175 CE Motor, 220V, 50Hz, 1/3 Hp	020002077
15 Liquid Level Control SV/SVi150/175	
a. 120V	00219104
b. 220V	00219105
16 Vertical Carb Tank Assembly SVi-200/250	
a. 115V	5031860
b. 220V	020001080
17 Carbonator Outlet Tube	020000740
18 3/8 Barb Sw/elbow Fitting SVi-200/250	5010781
Miscellaneous - Brackets, Screw, Etc.	
19 Screw 8-32 X 5/8 T410 Tri Lobe SS HH	020000992

MCCANN'S 115V & 220V PUMP DECK FOR SV200/250

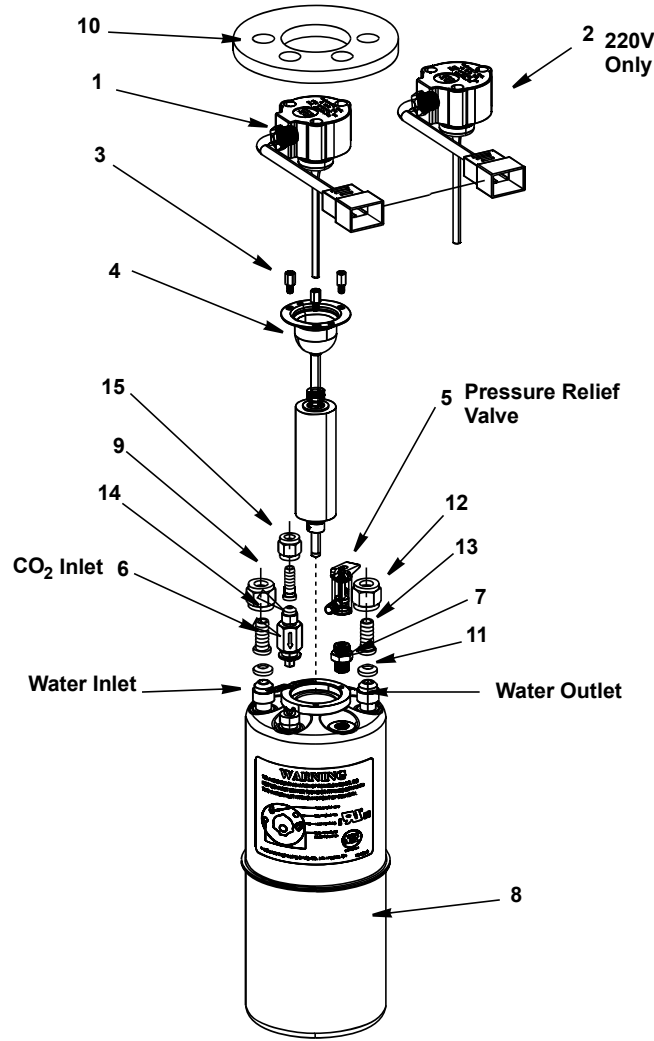


15-3120
15-3198

DESCRIPTION

1	Tubing, 1/4 I.d. X 3/8 O.D., Clear, Cut 6 ft.	01-1897
2	Foot, Snap-In	10-1605
3	Motor	
a.	115V, 1/3 hp	10-1649
b.	220V, 1/3 hp	10-0601
4	Plug, Cap, VC-375-8, Black	10-1877
5	Cap Plug, VC-600-8, Black, Vinyl	10-2006
6	Base, Carbonator	14-5311
7	Cord, Male Plug, IEC 60320	15-2680
8	Pump, Brass, Rotary Vane, 125 Gph	16-0165
9	Fitting, 3/8 Barb X 3/8 Mnpt	19-0589
10	Asse 1022, Backflow Preventer	19-0897
11	Regulator, 75 PSI Preset With Gauge	99-1124
Miscellaneous - Brackets, Screw, Etc.		
12	Nut, Hex, 5/16-18, Zinc Plated	00-1077
13	Clamp, V-band, Carbonator	00-1222
14	Washer, Lock, 5/16, Split, Zinc Plated	10-0258
15	Washer, Lock, 5/16, External Tooth, Zinc Plated	10-0290
16	Bolt, 5/16 X 5/8 Hex Head	10-0555
17	Wire Tie, Twister, 5" Long	10-1181
18	Clamp, 3/8 I.D., Nylon, Natural, Cable	10-1429
19	Pump Deck Label	
a.	115V, 125 GPH	10-1649
b.	220V, 125 GPH	10-0601
20	Clamp, 13/32 I.D., Oetiker, Stepless, No. 10.5-505R	10.5-505R

MCCANN'S VERTICAL CARB TANK



43-1600-10
43-1602

DESCRIPTION

1 Assembly Probe 115V	
a. Probe Spare Parts Kit	16-1404
b. Driving Solenoid 115V Electrical, Black Cap	16-2115-41
2 Assembly Probe 220V	
a. Probe Spare Parts Kit	16-1406
b. Driving Solenoid 220V Electrical, Black Cap	16-2220-41
3 Probe Stud	09-1877
4 Probe Float Ring Assembly - 115v/220V	15-1951
5 Pressure Relief Valve - 125 psi with Barb	19-0898
6 Carbonator Single Check Valve - 1/4 Male Flare	00-0868
7 Fitting - .125 NPT X PRV, S.S. Adapter	19-0934
8 Carbonator Assembly - 10" Weld	15-3162
9 Fitting, 1/4 In. Swivel Hose Barb	1701109
10 Insulated Domed Carb	10-2005
Miscellaneous - Brackets, Screw, Etc.	
11 Washer, 3/8" Nylon White	1701115
12 Nut, 3/8 X 9/16 In. Swivel Fitting	1701110
13 Swivel Fitting, 1/4 In. 3/8" Barb	5009025
14 Washer, 1/in. Nylon White	1701113
15 Nut, 1/4 X 3/8 In. Swivel Fitting	1701108